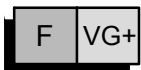


Main Index

<div style="border: 1px solid black; padding: 2px; display: inline-block; margin-bottom: 10px;">VG+</div> <div style="border: 1px solid black; padding: 2px; display: inline-block; margin-left: 5px;">Index</div>	<p>Index..... A01 - A02</p> <p>Updates..... A03</p>
<div style="border: 1px solid black; padding: 2px; display: inline-block; margin-bottom: 10px;">A</div> <div style="border: 1px solid black; padding: 2px; display: inline-block; margin-left: 5px;">VG+</div>	<p>Profiles</p> <p>Specification Pages..... A05 - A08</p> <p>Technical Information..... A09 - A18</p> <p>Scale Profile Drawings..... A19 - A52</p>
<div style="border: 1px solid black; padding: 2px; display: inline-block; margin-bottom: 10px;">B</div> <div style="border: 1px solid black; padding: 2px; display: inline-block; margin-left: 5px;">VG+</div>	<p>Accessories</p> <p>Photos & Drawings..... B03 - B64</p>
<div style="border: 1px solid black; padding: 2px; display: inline-block; margin-bottom: 10px;">C</div> <div style="border: 1px solid black; padding: 2px; display: inline-block; margin-left: 5px;">VG+</div>	<p>Sections</p> <p>Slide - Scale Elevations..... C03 - C39</p> <p>Lift and Slide - Scale Elevations..... C40 - C67</p>
<div style="border: 1px solid black; padding: 2px; display: inline-block; margin-bottom: 10px;">D</div> <div style="border: 1px solid black; padding: 2px; display: inline-block; margin-left: 5px;">VG+</div>	<p>Statics..... D03 - D09</p>
<div style="border: 1px solid black; padding: 2px; display: inline-block; margin-bottom: 10px;">E</div> <div style="border: 1px solid black; padding: 2px; display: inline-block; margin-left: 5px;">VG+</div>	<p>Construction Drawings</p> <p>Punch Tool Details..... E03 - E04</p> <p>Drainage Details..... E05 - E08</p> <p>Sash Transom Details..... E09</p> <p>Roller Preparation & Fixing..... E10 - E11</p> <p>Multi-Point Lock Preparation & Installation..... E12 - E14</p> <p>BT Lock Preparation & Installation..... E15 - E16</p> <p>Lock & Handle Overview..... E17 - E19</p> <p>Interlock Details..... E20 - E26</p> <p>Sash to Sash Locking Stile..... E27 - E30</p> <p>VG632 Locking Detail..... E31</p> <p>Sash Installation..... E32</p> <p>ACVG528 Position Details..... E33</p> <p>Fixed Sash Installation..... E34</p> <p>ACUG830 Fixing Detail..... E35</p> <p>VG514 & VG515 Cutting & Fitting..... E36</p> <p>VG519 Assembly..... E37 - E38</p> <p>Sobinco Lift & Slide Hardware Overview..... E39</p> <p>Sobinco Lift & Slide Lock & Handle Preparation..... E40 - E44</p> <p>Hautau Lift & Slide Hardware Overview..... E45</p> <p>Hautau Lift & Slide Lock & Handle Preparation..... E46 - E49</p> <p>Hautau Soft Close Mechanism..... E50 - E52</p> <p>Lift & Slide Slim Interlock Preparation..... E53</p>

Main Index

VG516/VG518 Details & Installation.....	E54 - E55
Monorail Assembly.....	E56 - E58
Head Extension Fitting Details.....	E59
Glazing Chart.....	E60 - E64
PAS24:2012 Overview.....	E65
ACUN348 Buffer.....	E66
Floating Corner Assembly.....	E67 - E70

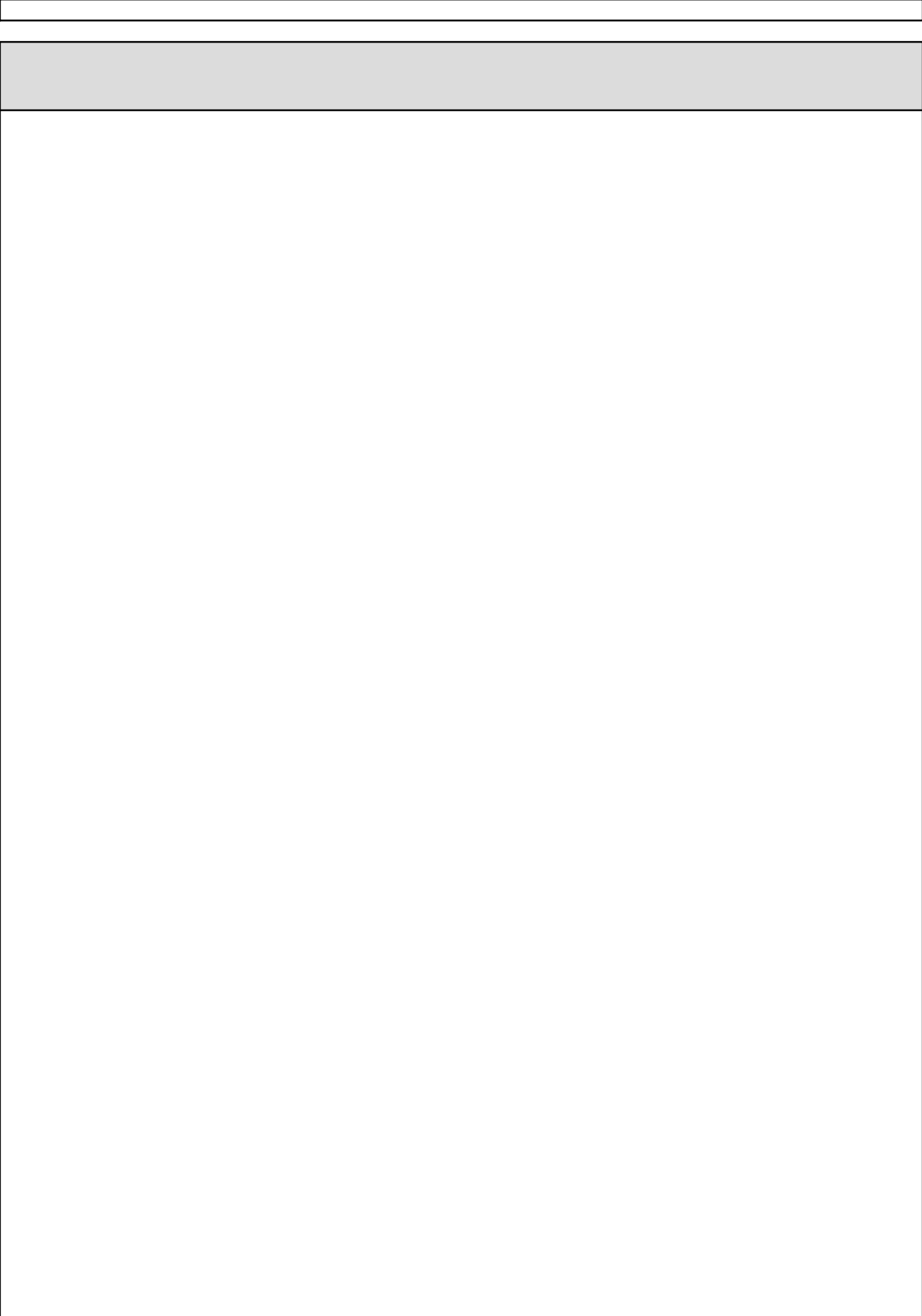


Sawing Tables

Sliding Doors.....	F03 - F14
Sobinco Lift and Slide Doors.....	F15 - F22
Hautau Lift and Slide Doors.....	F23 - F27
Vanishing Corner.....	F28

Updates

DATE	PAGE	DESCRIPTION
28/03/18	All Sections	<ul style="list-style-type: none"> -Added revised method of assembly for slim interlocks -New VG534 internal reinforced interlock -New VG552N co-extruded interlock with VG586 weather strip carrier -New VG575 & ACVG575 cill infill -New ACVG534 Drainage Spout -ACVG528 Positioning Detail -Vanishing Corner Sections VG580 & VG581 added -Vanishing Corner Accessories ACSZ015, ACDV313 & ACDV326 added
05/11/18	E24 & E26	Instructions added regarding glazing sash with VG534 to both jambs.



Specification

GENERAL DESCRIPTION

Visoglide Plus is a patio door system which can be operated by sliding or lift & slide hardware. The system achieves excellent U values inline with the current Building Regulations.

The system is suitable for replacement windows/doors in existing buildings and for installation into new buildings.

Visoglide Plus provides the option of multi-point locking with standard lever handles or off-set 'D' handles. Or for additional security, reinforced lever handles are available.

Assembly of the outerframe and the sashes is with mechanical cleats for which the holes are prepped using punch tools ACVG900 or ACVG905 . See Pages E03 & E04 for details.

Sashes are internally beaded allowing glazing to be completed after installation.

PROFILE SPECIFICATION

The frames are constructed of aluminium alloy extrusion to BS EN 755-9 and BS EN 12020, extruded from 6060 T6 alloy. The internal and external extrusions are separated with a polyamide thermal break.

The external aluminium alloy extrusion is pre-treated and finished either:-

- a) Anodised to BS 3987: 1987, grade AA25 to a natural self colour.
- b) Polyester powder organic coating to BS 6496. Dual colour is available.

GENERAL MANUFACTURING

Outer frames are made by cutting the frame profiles with accurate 45° mitred ends using Tungsten Carbide Tipped Saw Blades, operating at approximately 3000 rpm.

The corner joints can be made using mechanically fixed corner cleats by punching the corners using the relevant punch tooling shown in section E of this manual. All joints should be sealed using ACSIL04 sealant

On polyester powder coated finishes, great care should be taken to avoid getting gap sealer on visible surfaces and should be removed as soon as possible with a clean cloth.

Care should be exercised when using products not supplied by Smart Systems Ltd as no responsibility can be accepted.

Specification

DRAINAGE

As with all dry glazed systems, it is recommended that the profiles are adequately drained and ventilated. Refer to drainage details in section E of this manual, if in doubt, ask the Technical Department.

In order to get maximum performance and weather resistance it is recommended that drips are used over all vents.

OUTER FRAME & VENT MANUFACTURING INFORMATION

The outer frame members are cut with 45° mitred ends to the overall size required, measured to the longest point of the metal.

Corners are formed by coating the cut faces to be joined with ACSIL04 small gap sealer and by applying ACSIL013 cleat glue into the cleat chamber. Into the mitred corner insert the required corner cleats and, where required, the aluminium corner chevrons. The two mitred ends are then brought together and mechanically joined. The small gap sealer ensures a permanent joint and guards against the ingress of moisture and joint movement. After joining the corners, special care should be taken to ensure any excess sealer is removed from painted surfaces.

LOCKING

The vertical members should be prepped for the locking mechanism prior to fabrication and fitted before assembly. Stainless steel fixings shall be used for securing the locking mechanism and keeps in position.

GLAZING

Glazing can be 8-12mm, 24-26mm, 28-30mm or 36-38mm by selecting the relevant bead & gasket.

For advise on window sizes outside of the recommended design limitations, please contact the Technical Department at Smart Systems Ltd Tel: 01934 876100

Specification

RECOMMENDED DESIGN LIMITATIONS

Sliding Sashes

Maximum Sash Weight:	250kg
Minimum Sash Height:	800mm (NB. Lock will have two locking points where sash is below 1400mm) 1885mm for PAS24:2012
Maximum Sash Height:	2500mm
Maximum Sash Width:	Providing sashes are within above limitations there is no maximum width.

Lift & Slide Sashes

	<u>Sobinco Gearing</u>	<u>Hautau Gearing</u>
Maximum Sash Weight:	200kg	300kg
Minimum Sash Height:	1718mm	1877mm
Maximum Sash Height:	2500mm	2500mm
Minimum Sash Width:	702mm	650mm
Maximum Sash Width:	3294mm	3235mm

Please see pages D01-D09 for more guidance on vent sizes & limitations.

The below is a summary of the sliding door testing under Kitemark Licence Number: KM530838. The full details may be downloaded from www.smartsystems.co.uk

Visoglide Plus Operational Performance (BS6375-2:2009)

Visoglide Plus has passed the operational & strength requirements of BS6375-2
(Test Report 8247857)

Visoglide Plus Security (PAS24:2012)

Visoglide Plus has been successfully tested to PAS24:2012
(Test Report 8247857)

Visoglide Plus U Values

Please refer to the Smart Systems' Document L White Paper or contact the Technical Department.

Specification

Kitemark™ Certificate

No. KM 530838

Visoglide Plus Aluminium Alloy Patio Door System

BS 4873:2009 / PAS 24:2012 - General and enhanced security performance requirements for door assemblies.

Profiles	Outer Frame:	VG510/511N/512/513N/516/518/519/610/612/618/620/621
	Leaf:	VG520/521N
	Interlocks:	VG534/535/536/539
	Frame Filler:	VG514/515
Multipoint Hardware	Locking:	ACSZ024/025/026
	Shootbolt:	ACVG752
	Keep:	ACSZ122/124/126/128/130/132
	Handle:	ACSZ882/883
	Cylinder + Cover:	ACIM442/ACCY4040S1
BT Hardware	Locking:	ACSZ040/041/042
	Keep:	ACSZ046
	Handle:	ACSZ750/751
	Cylinder + Cover:	ACCY3030S1

Size Limitations And Performance Characteristics

Door Type	Leaf Width (mm) - Maximum	Leaf Height (mm) - Maximum	Air Permeability Classification	Watertightness Classification	Resistance To Wind Classification	Exposure Category As Given In Table 1 Of BS6375-1:2009
2 pane sliding doorset	2000	2400	3	7A	AE2400	2000+
3 pane (2 sliding) doorset	2000	2400	3	7A	AE2400	2000+
Active/Fixed leaf	2000	2400	3	7A	AE2400	2000+

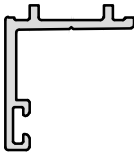



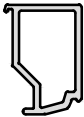
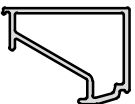
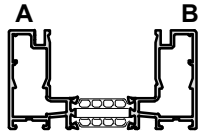
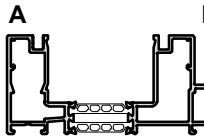
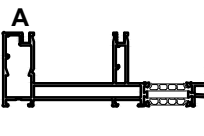
⚠ Important! ⚠

The size parameters shown against Kitemark are the maximum allowed without the need for further testing. Please note these are not necessarily the system parameters which may be smaller or larger. Please refer to fabrication parameters in this manual.

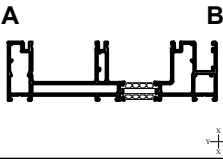
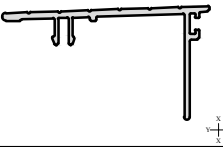
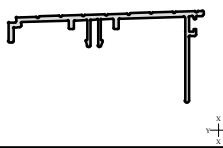
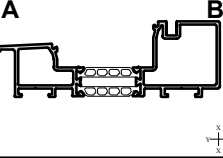
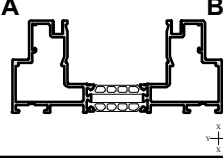
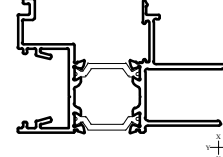
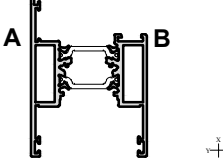
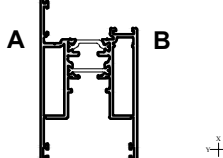
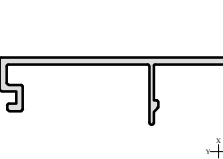
First Issued: 29/09/2008

Latest Issue: 18/05/2016

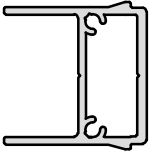
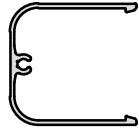
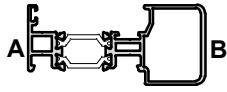
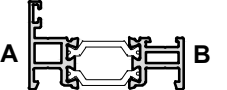
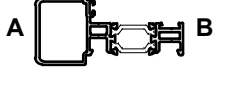
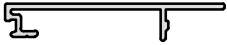
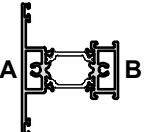

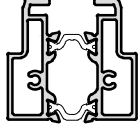
PROFILES : TECHNICAL INFORMATION

Number	Picture	Page	Perim. mm	Mec. mm	Ix(cm4) wx(cm3)	Iy(cm4) wy(cm3)	Length	Pack pr.	MF	SA	KL	HP	M
VG12		A49	110	26	- ----	- ----	6.5	1	✓	✓	✓	✓	
VG52	 PVC	A48	25	-	- ----	- ----	7	1	✓				
VG53	 Stainless Steel	A48	106	-	- ----	- ----	6.5	1	✓				
VG408		A42	69	28	- ----	- ----	6.5	1	✓	✓	✓	✓	
VG416		A42	77	37	- ----	- ----	6.5	1	✓	✓	✓	✓	
VG430		A42	106	51	- ----	- ----	6.5	1	✓	✓	✓	✓	
VG510		A19	491	137	94.28 ----- 19.05	20.80 ----- 8.81	7 5	1	✓	✓	✓	✓	✓
VG511N		A19	580	270	32.10 ----- 9.55	157.83 ----- 27.50	7 5	1	✓	✓	✓	✓	✓
VG512		A20	729	140	348.86 ----- 41.36	30.01 ----- 13.62	7	1	✓	✓	✓	✓	✓
									A = Outside B = Inside	MF = Mill Finish SA = Silver Anodised KL = Basic Colour HP = Special Colour M = Dual Colour			

PROFILES : TECHNICAL INFORMATION

Number	Picture	Page	Perim. mm	Mec. mm	Ix(cm4) wx(cm3)	Iy(cm4) wy(cm3)	Length	Pack pr.	MF	SA	KL	HP	M	
VG513N		A20	817	128	33.32 ----- 11.18	489.43 ----- 52.29	7	1	✓	✓	✓	✓	✓	
VG514		A25	210	62	- ----- -	- ----- -	6.5	1	✓	✓	✓	✓		
VG515		A25	277	73	1.14 ----- 0.44	10.20 ----- 3.38	7	1	✓	✓	✓	✓		
VG516		A21	429	96	81.9 ----- 12.6	9.1 ----- 4.0	7 3.5	1	✓	✓	✓	✓	✓	
VG518		A21	521	78	123.5 ----- 21.0	22.1 ----- 7.7	7 5	1	✓	✓	✓	✓	✓	
VG519		A22	501	15	20.40 ----- 4.71	9.26 ----- 5.05	6.5	1	✓	✓	✓	✓		
VG520		A26	449	141	20.40 ----- 7.47	13.83 ----- 3.96	6.5	1	✓	✓	✓	✓	✓	
VG521N		A26	534	173	27.85 ----- 6.00	24.23 ----- 10.07	6.5 - 5	1	✓	✓	✓	✓	✓	
VG530		A29	195	72	5.97 ----- 1.71	0.36 ----- 0.94	6.5	1	✓	✓	✓	✓		
									A = Outside B = Inside		MF = Mill Finish SA = Silver Anodised KL = Basic Colour HP = Special Colour M = Dual Colour			

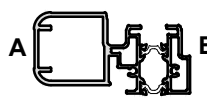
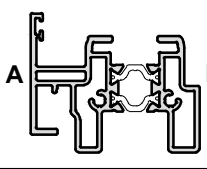
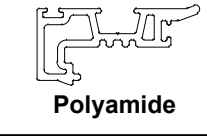
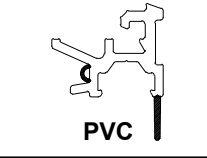
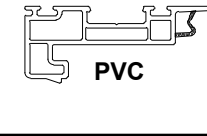
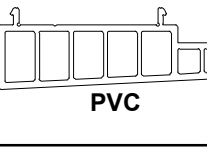
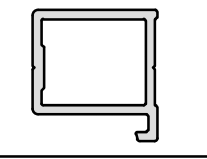
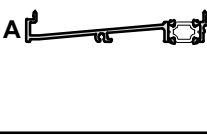
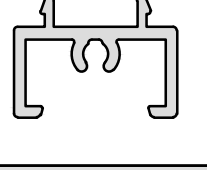
PROFILES : TECHNICAL INFORMATION

Number	Picture	Page	Perim. mm	Mec. mm	Ix(cm4) wx(cm3)	Iy(cm4) wy(cm3)	Length	Pack pr.	MF	SA	KL	HP	M
VG532		A29	188	-	6.40 ----- 3.30	3.60 ----- 1.50	6.5	1	✓				
VG533		A29	267	124	4.74 ----- 1.66	6.19 ----- 2.90	6.5	1	✓	✓	✓	✓	
VG534		A29	249	51	30.6 ----- 7.57	4.11 ----- 2.38	6.5	1	✓	✓	✓	✓	✓
VG535		A30	249	51	9.18 ----- 3.33	1.03 ----- 0.97	6.5	1	✓	✓	✓	✓	✓
VG536		A30	316	109	26.83 ----- 6.33	3.97 ----- 2.42	6.5	1	✓	✓	✓	✓	✓
VG537		A30	175	68	4.95 ----- 1.45	0.10 ----- 0.45	6.5	1	✓	✓	✓	✓	
VG538		A27	367	109	17.13 ----- 5.87	8.49 ----- 2.43	6.5	1	✓	✓	✓	✓	✓
VG539		A30	388	188	112.65 ----- 15.56	10.36 ----- 6.13	6.5	1	✓	✓	✓	✓	✓
VG540		A31	295	48	6.40 ----- 2.95	7.74 ----- 3.64	6.5	1	✓	✓	✓	✓	✓

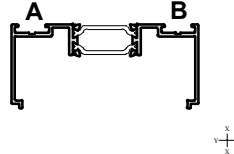
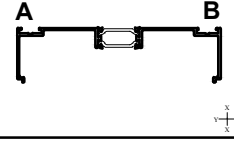
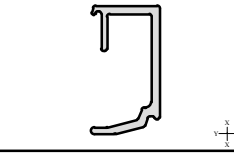
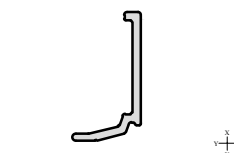
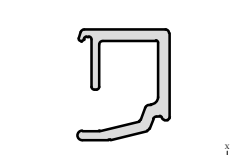
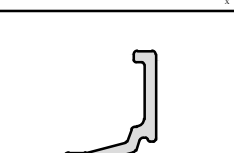
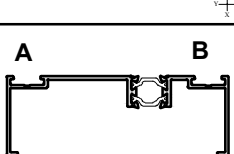
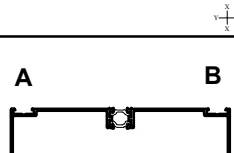
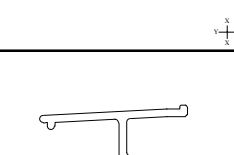
A = Outside
B = Inside

MF = Mill Finish
SA = Silver Anodised
KL = Basic Colour
HP = Special Colour
M = Dual Colour

PROFILES : TECHNICAL INFORMATION

Number	Picture	Page	Perim. mm	Mec. mm	Ix(cm4) wx(cm3)	Iy(cm4) wy(cm3)	Length	Pack pr.	MF	SA	KL	HP	M	
VG541		A31	477	201	69.99 ----- 15.29	17.62 ----- 7.47	6.5	1	✓	✓	✓	✓	✓	
VG542		A32	406	150	17.3 ----- 6.0	6.6 ----- 2.7	6.5	1	✓	✓	✓	✓	✓	
VG551R	 Polyamide	A37	161	-	- ----- -	- ----- -	6.5	1	✓					
VG552N	 PVC	A30	108	-	- ----- -	- ----- -	6.5	1	✓					
VG553N	 PVC	A37	181	-	- ----- -	- ----- -	6.5	1	✓					
VG554	 PVC	A38	455.4	-	3.457 ----- 2.548	55.152 ----- 18.541	7 3.5	1	✓					
VG555		A22	94	-	- ----- -	- ----- -	6.5	1	✓					
VG556		A39	329	25	32.43 ----- 6.82	0.34 ----- 0.50	6.5	1	✓	✓	✓	✓	✓	
VG557		A39	127	25	0.16 ----- 0.19	0.55 ----- 0.50	6.5	1	✓	✓	✓	✓		
									A = Outside B = Inside		MF = Mill Finish SA = Silver Anodised KL = Basic Colour HP = Special Colour M = Dual Colour			

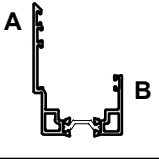
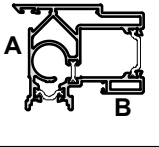
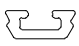
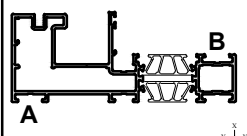
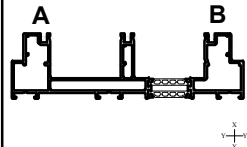
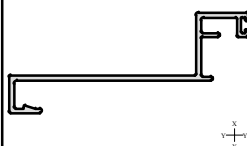
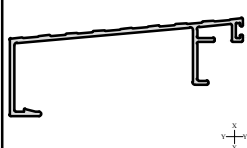
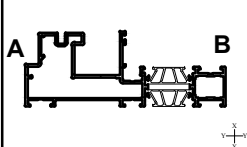
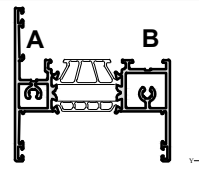
PROFILES : TECHNICAL INFORMATION

Number	Picture	Page	Perim. mm	Mec. mm	lx(cm4) wx(cm3)	ly(cm4) wy(cm3)	Length	Pack pr.	MF	SA	KL	HP	M
VG558		A40	464	85	58.53 ----- 11.82	6.91 ----- 5.12	7	1	✓	✓	✓	✓	✓
VG559		A40	597	85	192.84 ----- 23.28	8.35 ----- 7.82	7	1	✓	✓	✓	✓	✓
VG560		A42	99	32	- ----- -	- ----- -	6.5	1	✓	✓	✓	✓	
VG561		A43	68	23	- ----- -	- ----- -	6.5	1	✓	✓	✓	✓	
VG565		A30	83	24	- ----- -	- ----- -	6.5	1	✓	✓	✓	✓	
VG566		A30	52	15	- ----- -	- ----- -	5	1	✓	✓	✓	✓	
VG572		A41	531	85	8.05 ----- 2.42	88.08 ----- 16.34	7	1	✓	✓	✓	✓	✓
VG573		A41	631	85	9.08 ----- 2.59	247.35 ----- 26.86	6.5	1	✓	✓	✓	✓	✓
VG575		A27	140	-	- ----- -	- ----- -	6.5	1	✓				

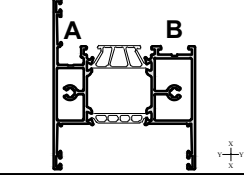
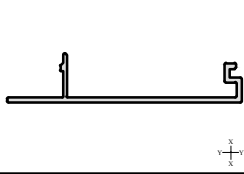
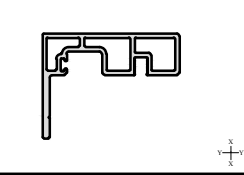
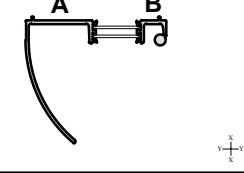
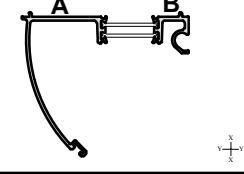
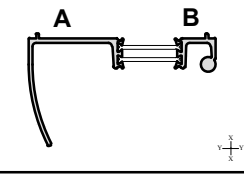
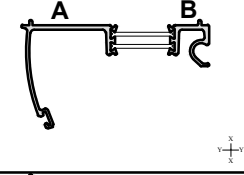
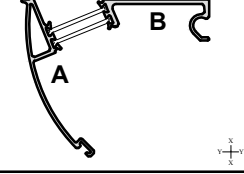
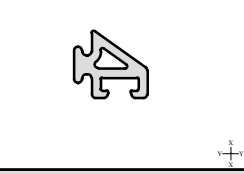
A = Outside
B = Inside

MF = Mill Finish
SA = Silver Anodised
KL = Basic Colour
HP = Special Colour
M = Dual Colour

PROFILES : TECHNICAL INFORMATION

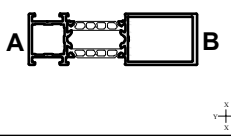
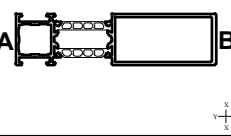
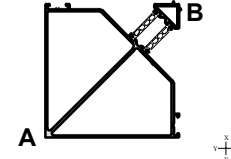
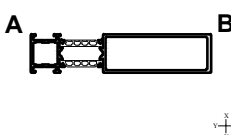
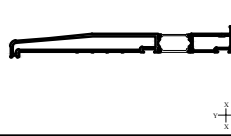
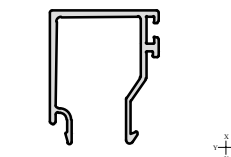
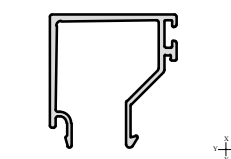
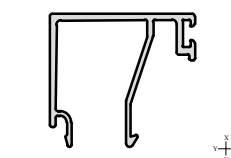
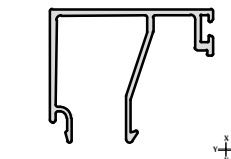
Number	Picture	Page	Perim. mm	Mec. mm	Ix(cm4) wx(cm3)	Iy(cm4) wy(cm3)	Length	Pack pr.	MF	SA	KL	HP	M	
VG580		A33	327	99	11.4 ----- 4.1	13.5 ----- 6	6.5	1	✓	✓	✓	✓	✓	
VG581		A33	331	128	33.1 ----- 9.2	21.8 ----- 8.9	6.5	1	✓	✓	✓	✓	✓	
VG586	 Polyamide	A37	33	-	- ----- -	- ----- -	6.5	1	✓					
VG610		A24	626	210	145.4 ----- 19.1	20.3 ----- 6.5	6.5	1	✓	✓	✓	✓	✓	
VG612		A23	772	161	414.8 ----- 44.2	31.5 ----- 10.4	7	1	✓	✓	✓	✓	✓	
VG615		A36	299	123	2.756 ----- 1.486	21.357 ----- 5.309	6.5	1	✓	✓	✓	✓		
VG616		A36	329	118.6	2.814 ----- 1.160	2.468 ----- 6.223	6.5	1	✓	✓	✓	✓		
VG618		A24	644	244	163.4 ----- 20.6	20.8 ----- 6.6	6.5	1	✓	✓	✓	✓	✓	
VG620		A28	485	128	50.8 ----- 12.6	12.6 ----- 3.1	7	1	✓	✓	✓	✓	✓	
									A = Outside B = Inside		MF = Mill Finish SA = Silver Anodised KL = Basic Colour HP = Special Colour M = Dual Colour			

PROFILES : TECHNICAL INFORMATION

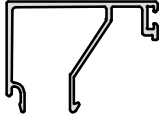
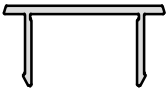
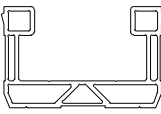
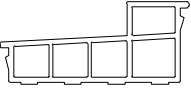



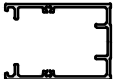
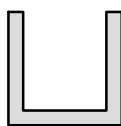
Number	Picture	Page	Perim. mm	Mec. mm	lx(cm4) wx(cm3)	ly(cm4) wy(cm3)	Length	Pack pr.	MF	SA	KL	HP	M	
VG621		A28	550	167	60.7 — 15.1	26.5 — 5.5	7	1	✓	✓	✓	✓	✓	
VG630		A34	242	96	15.32 — 3.98	0.39 — 0.26	6.5	1	✓	✓	✓	✓		
VG632		A34	249	166	15.7 — 4.6	5.1 — 1.6	6.5	1	✓	✓	✓	✓		
VG651		A44	482	120	66.3 — 11.8	33.1 — 5	6.5	1	✓	✓	✓	✓	✓	
VG652		A44	515	115	58.5 — 10.2	33.9 — 5.5	6.5	1	✓	✓	✓	✓	✓	
VG653		A45	406	82	62.3 — 11.7	8.9 — 2	6.5	1	✓	✓	✓	✓	✓	
VG654		A45	441	78	55.9 — 10.3	9.6 — 2.3	6.5	1	✓	✓	✓	✓	✓	
VG655		A46	484	162	57.9 — 9.8	33.2 — 5.5	6.5	1	✓	✓	✓	✓	✓	
VG660		A43	45	-	- ----- -	- ----- -	6.5	1	✓					
									A = Outside B = Inside		MF = Mill Finish SA = Silver Anodised KL = Basic Colour HP = Special Colour M = Dual Colour			

✓

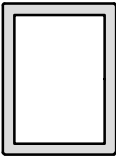

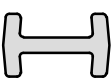

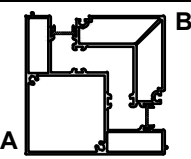




PROFILES : TECHNICAL INFORMATION

Number	Picture	Page	Perim. mm	Mec. mm	Ix(cm4) wx(cm3)	Iy(cm4) wy(cm3)	Length	Pack pr.	MF	SA	KL	HP	M	
VG670		A47	346	61	60.6 ----- 12.1	5.7 ----- 3.8	6.5	1	✓	✓	✓	✓	✓	
VG671		A47	383	98	93.0 ----- 15.8	6.9 ----- 4.6	6.5	1	✓	✓	✓	✓	✓	
VG674		A52	603	236	208.2 ----- 32.8	208.2 ----- 32.8	6.5	1	✓	✓	✓	✓	✓	
VG681		A47	431	145	154.7 ----- 21.5	8.9 ----- 6.0	6.5	1	✓	✓	✓	✓	✓	
ETC478		A52	736	314	1410.7 ----- 87.7	26.8 ----- 12.8	5	1	✓	✓	✓	✓	✓	
GL724		A50	186	49	- ----- -	- ----- -	6.5	1	✓	✓	✓	✓		
GL728		A50	198	63	- ----- -	- ----- -	6.5	1	✓	✓	✓	✓		
GL732		A50	216	57	- ----- -	- ----- -	6.5	1	✓	✓	✓	✓		
GL736		A50	224	61	- ----- -	- ----- -	-	1	✓	✓	✓	✓		
									A = Outside B = Inside		MF = Mill Finish SA = Silver Anodised KL = Basic Colour HP = Special Colour M = Dual Colour			

PROFILES : TECHNICAL INFORMATION

Number	Picture	Page	Perim. mm	Mec. mm	lx(cm4) wx(cm3)	ly(cm4) wy(cm3)	Length	Pack pr.	MF	SA	KL	HP	M	
GL740		A50	155	65	- ----- -	- ----- -	-	1	✓	✓	✓	✓		
SR014		A22	110	71	- ----- -	- ----- -	-	1	✓	✓	✓	✓		
UG050	 PVC	A19	256	-	- ----- -	- ----- -	7	1	✓					
UG054	 PVC	A38	161	-	- ----- -	- ----- -	7	1	✓					
UG852	 PVC	A37	44	-	- ----- -	- ----- -	6.5	1	✓					
UN010		A49	111	44	- ----- -	- ----- -	6.5	1	✓	✓	✓	✓		
UN500		A35	137	52	0.06 ----- 0.08	1.68 ----- 0.84	6.5	1	✓	✓	✓	✓		
UN510		A35	374	160	12.14 ----- 3.72	9.47 ----- 4.73	6.5	1	✓	✓	✓	✓		
UTL027		A48	86	-	0.18 ----- 0.19	0.28 ----- 0.37	6.0	1	✓	✓	✓	✓		
									A = Outside B = Inside		MF = Mill Finish SA = Silver Anodised KL = Basic Colour HP = Special Colour M = Dual Colour			

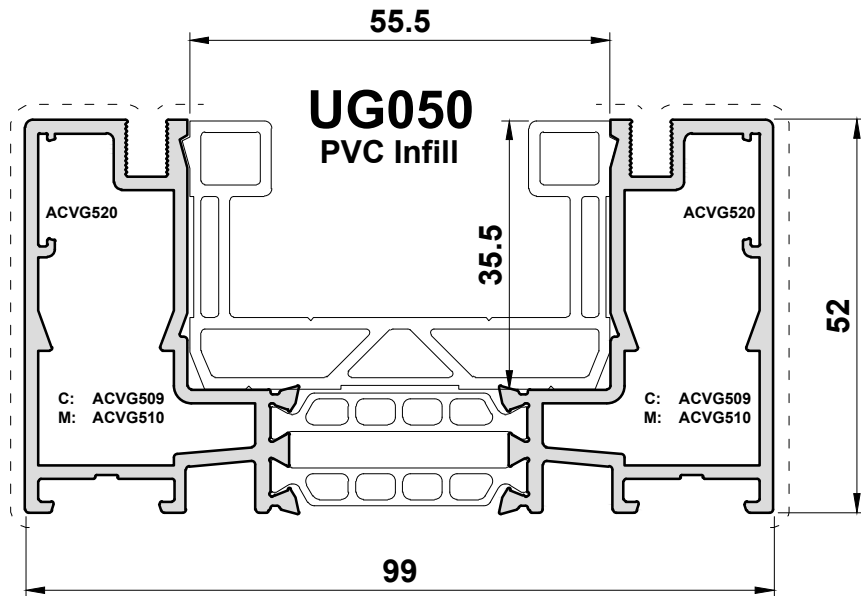
PROFILES : TECHNICAL INFORMATION

Number	Picture	Page	Perim. mm	Mec. mm	Ix(cm4) wx(cm3)	Iy(cm4) wy(cm3)	Length	Pack pr.	MF	SA	KL	HP	M	
UTL080		A35	139	-	8.13 ----- 4.07	5.08 ----- 3.39	6.0	1	✓	✓	✓	✓		
VL72		A48	101	32	- ----- -	- ----- -	6.5	1	✓	✓	✓	✓		
VL75		A48	54	-	- ----- -	- ----- -	6.5	1	✓					
VL76		A48	146	-	1.852 ----- 0.729	0.344 ----- 0.638	6.5	1	✓	✓	✓	✓		
VL155		A51	775	199	157.6 ----- 30.9	157.6 ----- 30.9	4.7	1	✓	✓	✓	✓	✓	
														
														
														
														
									A = Outside B = Inside		MF = Mill Finish SA = Silver Anodised KL = Basic Colour HP = Special Colour M = Dual Colour			

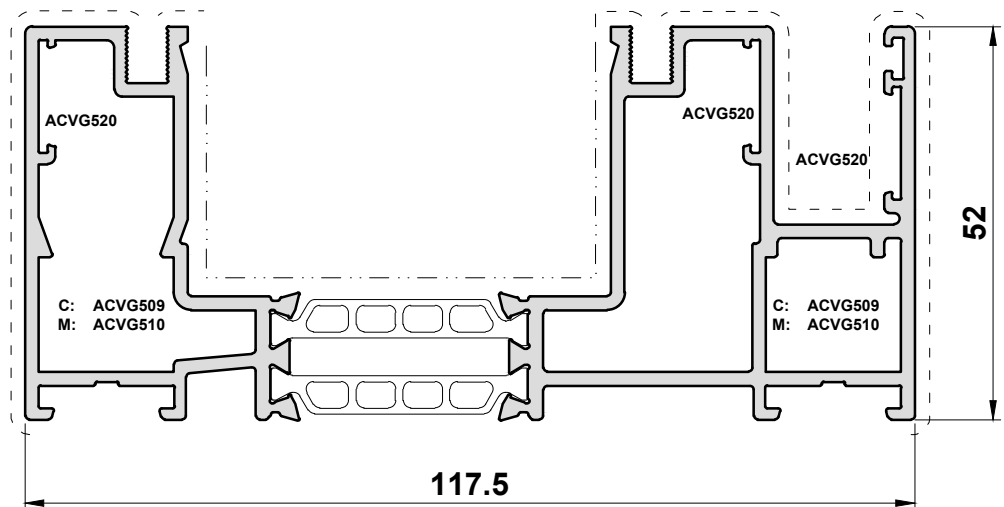
Primary Visible Side

Secondary Visible Side

VG510
Two Track
Outer Frame



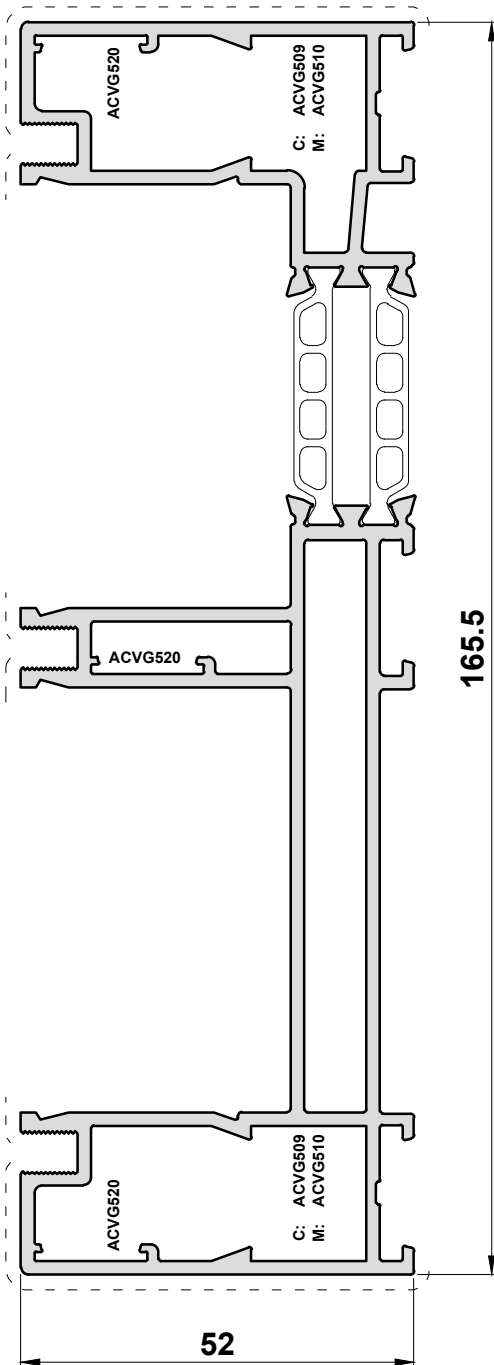
VG511N
Two Track
Outer Frame
with Upstand



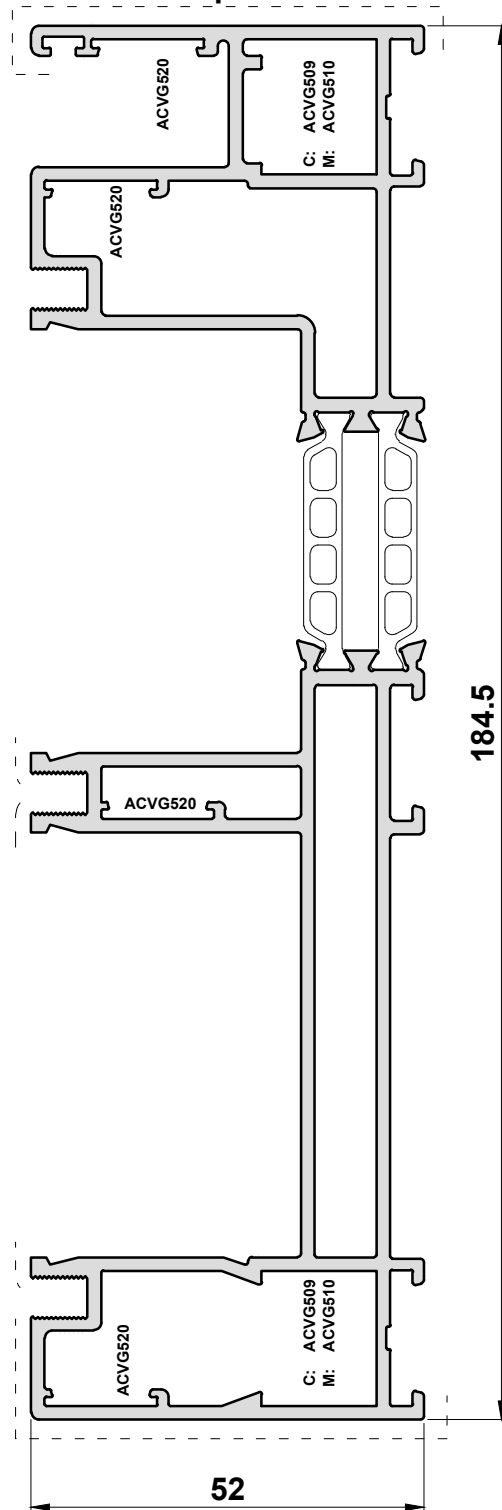
Primary Visible Side

Secondary Visible Side

VG512 Three Track Outer Frame



VG513N Three Track Outer Frame with Upstand

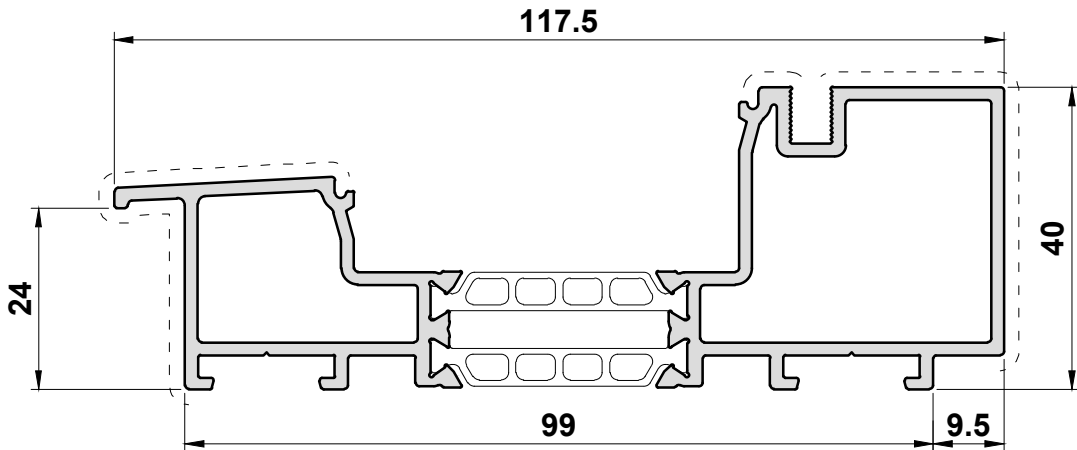


Primary Visible Side

Secondary Visible Side

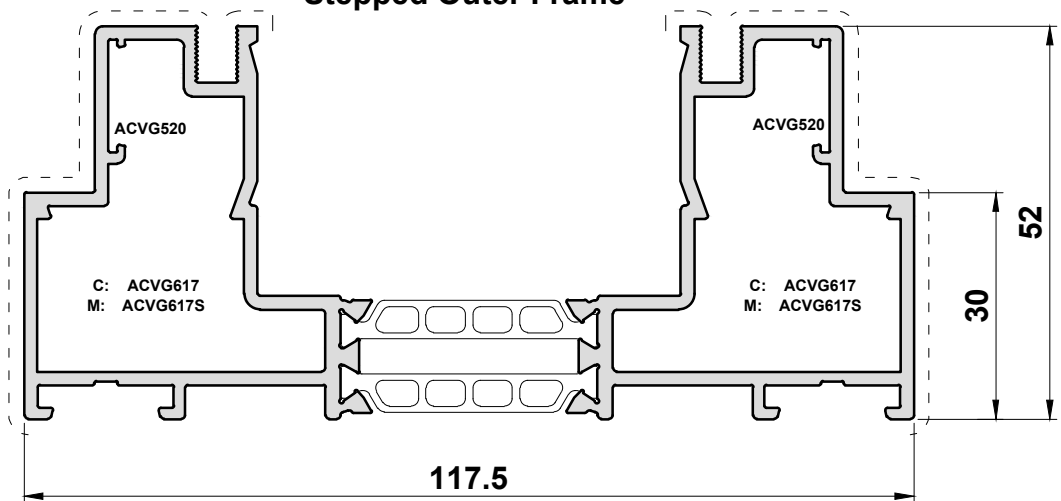
VG516

Mono Rail Threshold
NOT Weather Tested



VG518

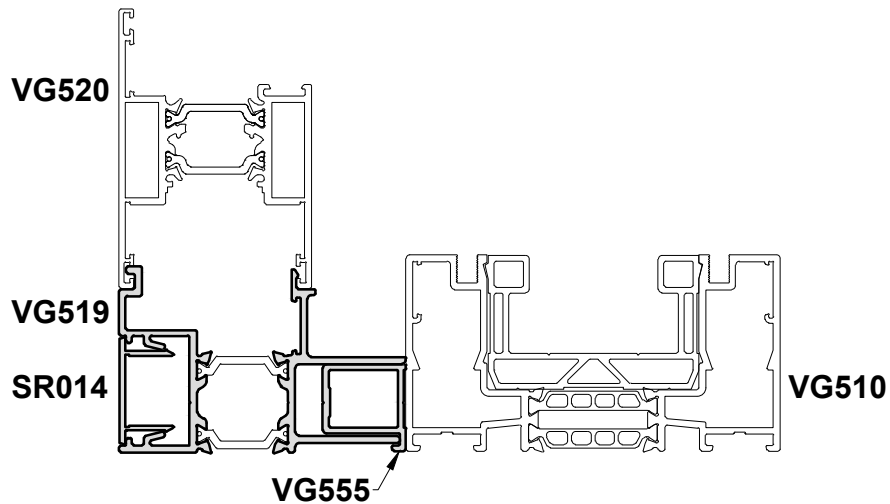
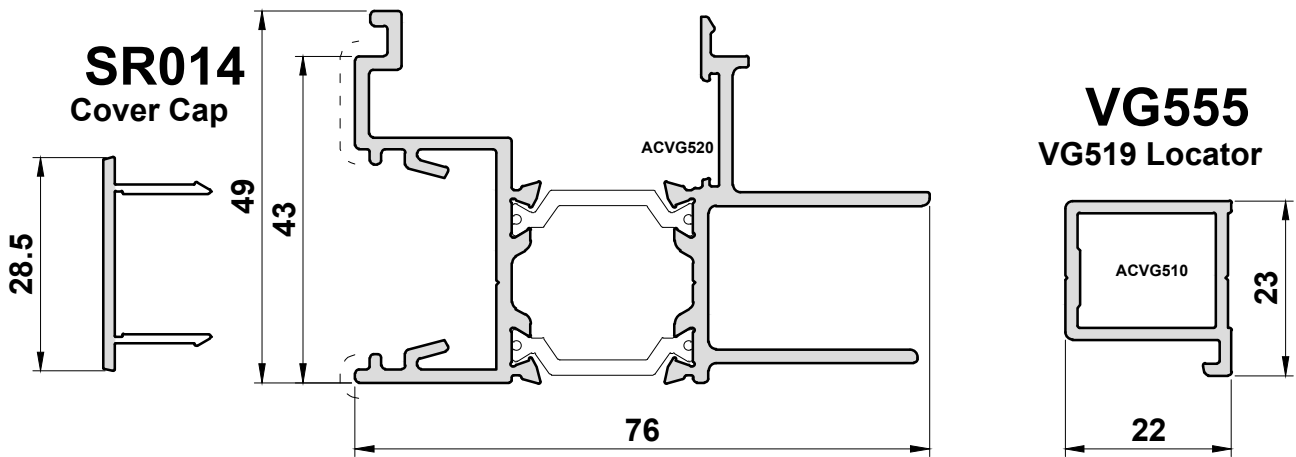
Two Track
Stepped Outer Frame



Primary Visible Side

Secondary Visible Side

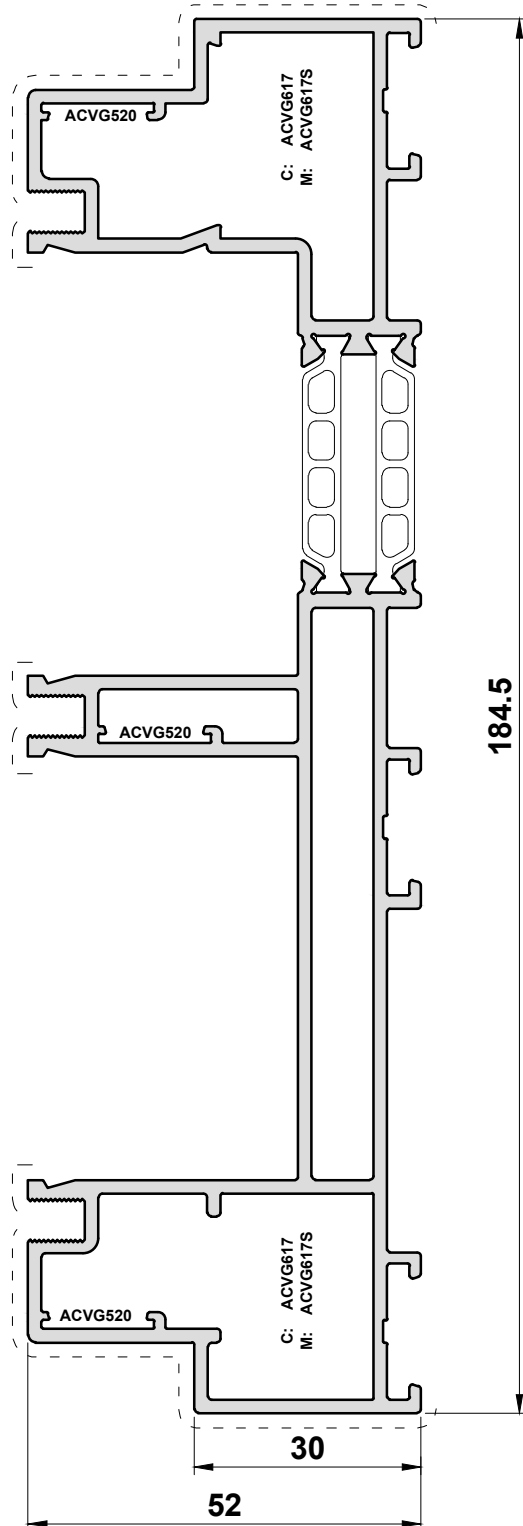
VG519
Frame Add On



Primary Visible Side

Secondary Visible Side

VG612 Three Track Stepped Outerframe

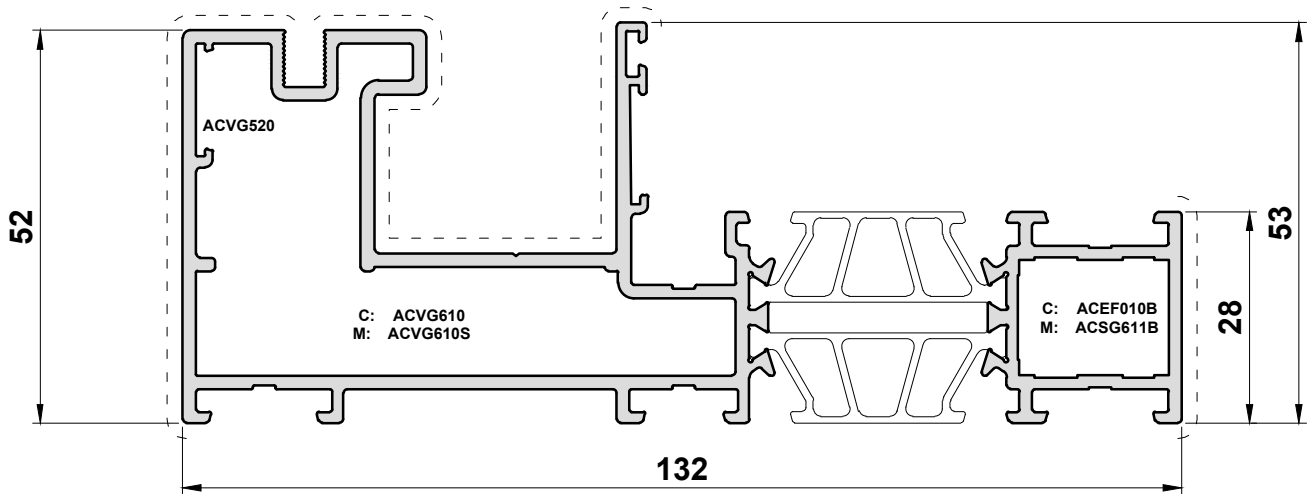


Primary Visible Side

Secondary Visible Side

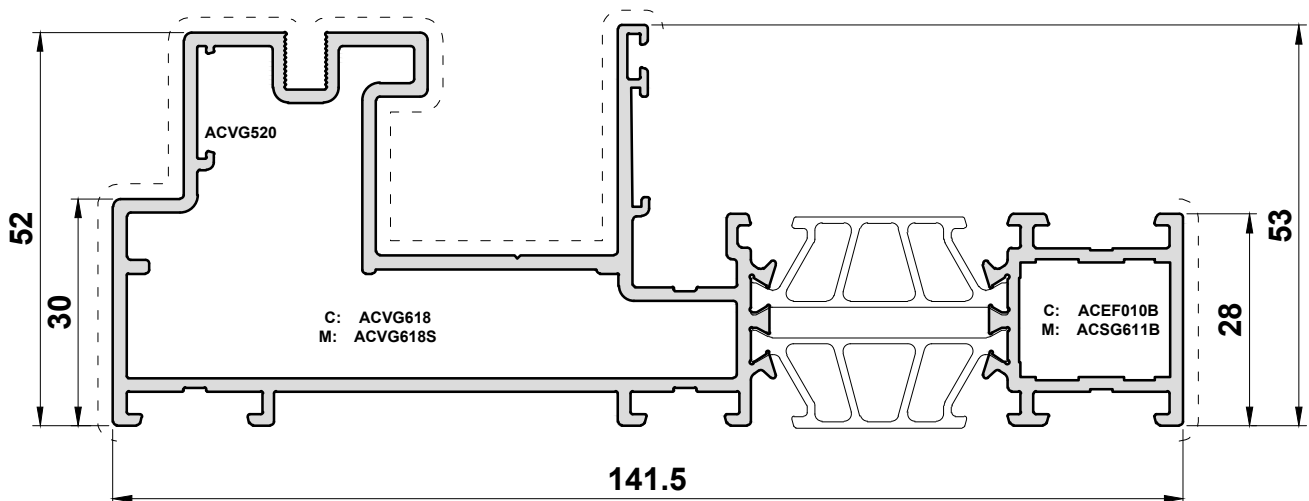
VG610

Mono Track
Outerframe



VG618

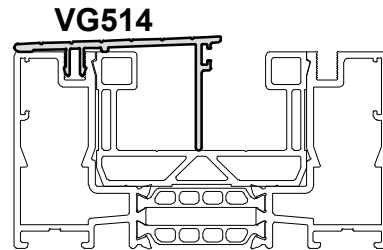
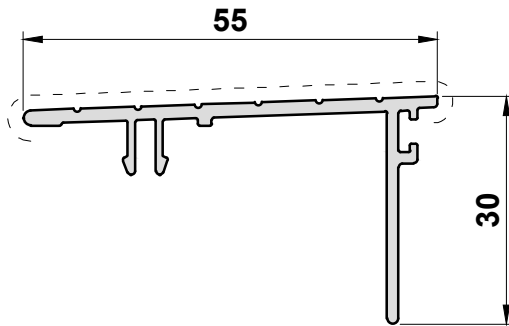
Mono Track
Stepped Outerframe



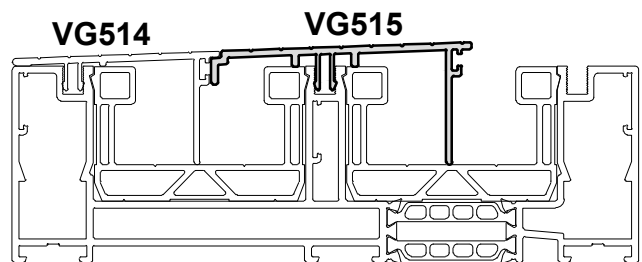
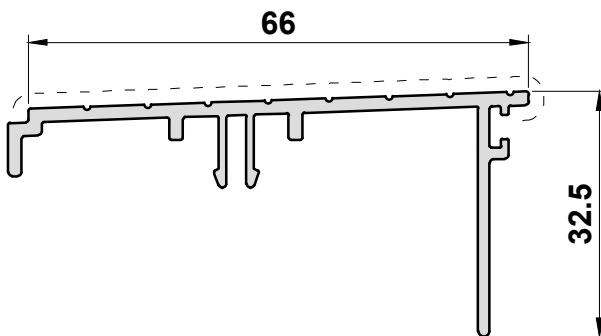
Primary Visible Side

Secondary Visible Side

VG514
Two Track Cover

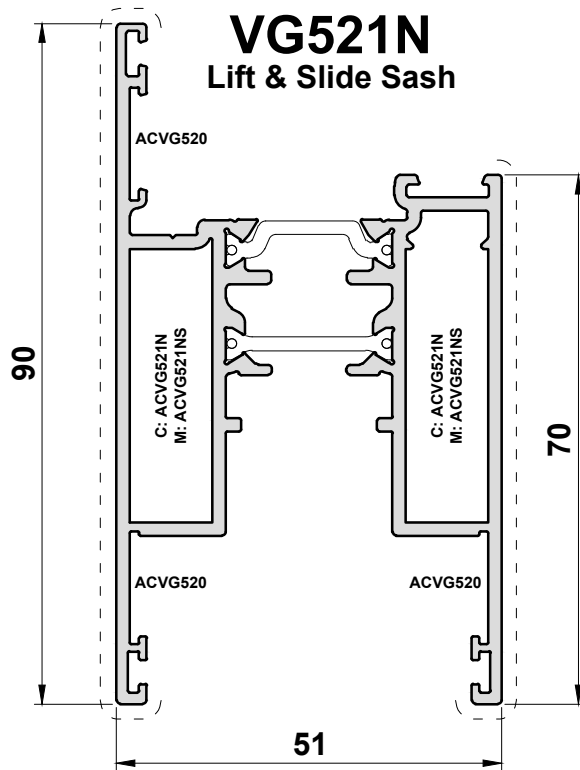
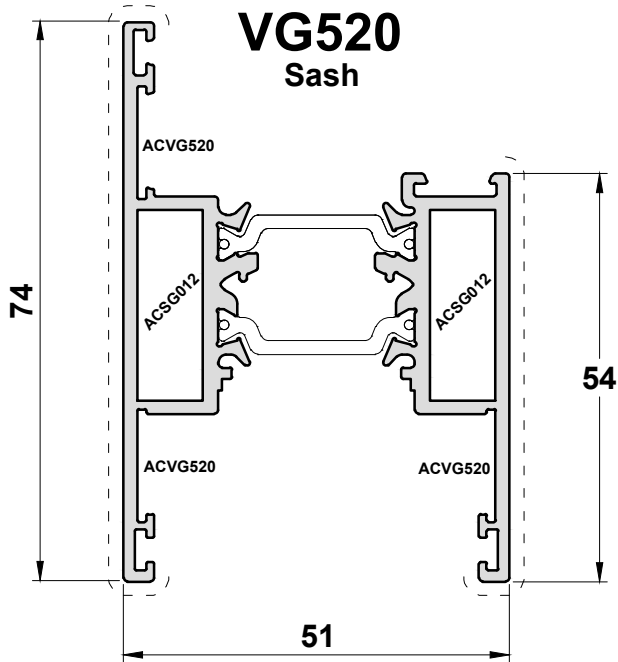


VG515
Three Track Cover



Primary Visible Side

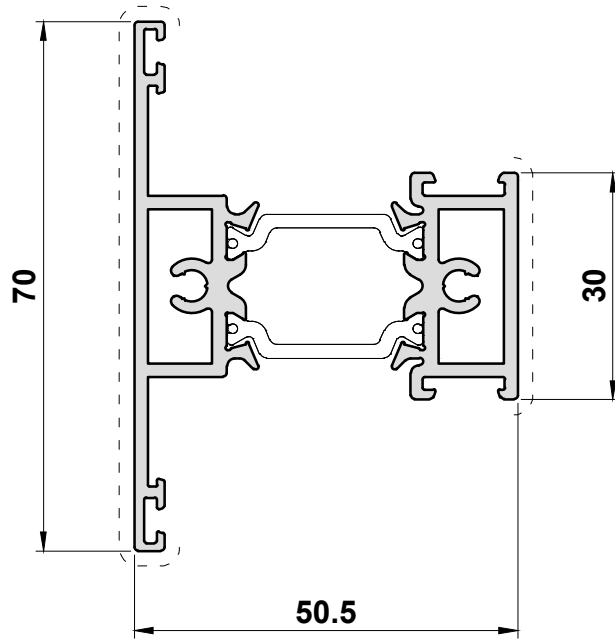
Secondary Visible Side



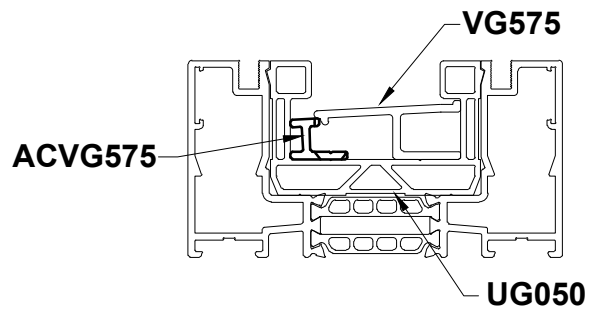
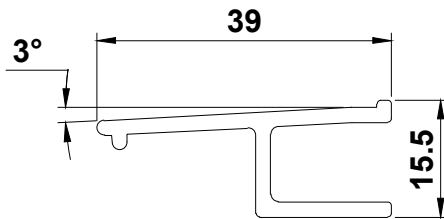
Primary Visible Side

Secondary Visible Side

VG538
Sash Transom



VG575
PVC Infill for UG050

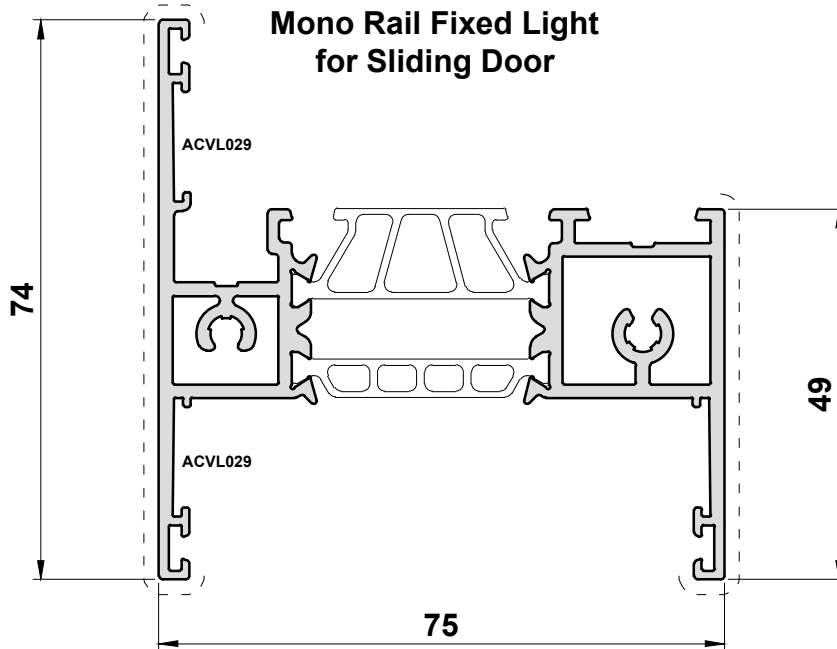


Primary Visible Side

Secondary Visible Side

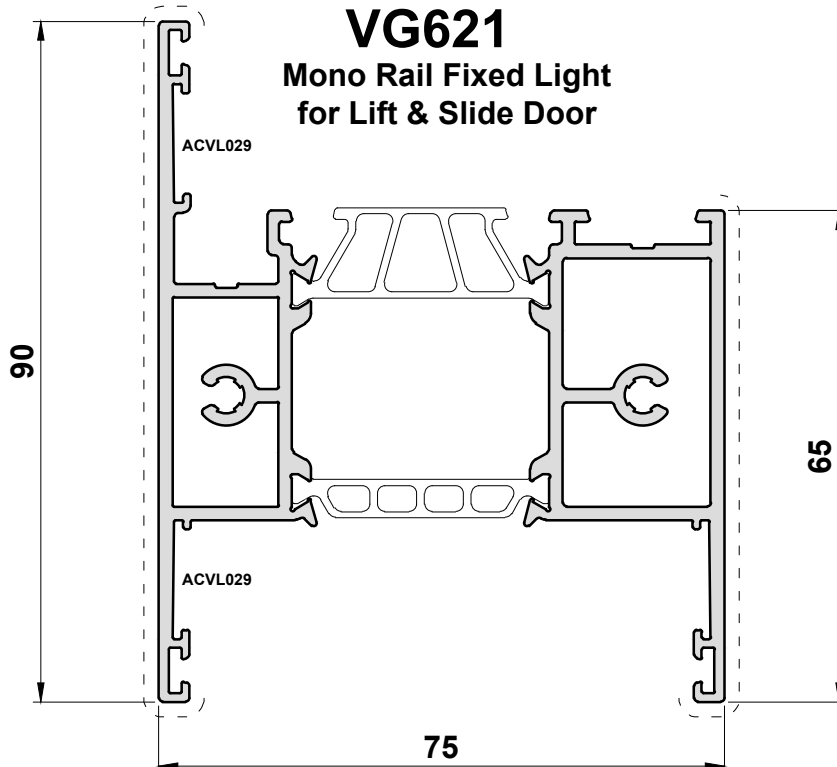
VG620

Mono Rail Fixed Light
for Sliding Door



VG621

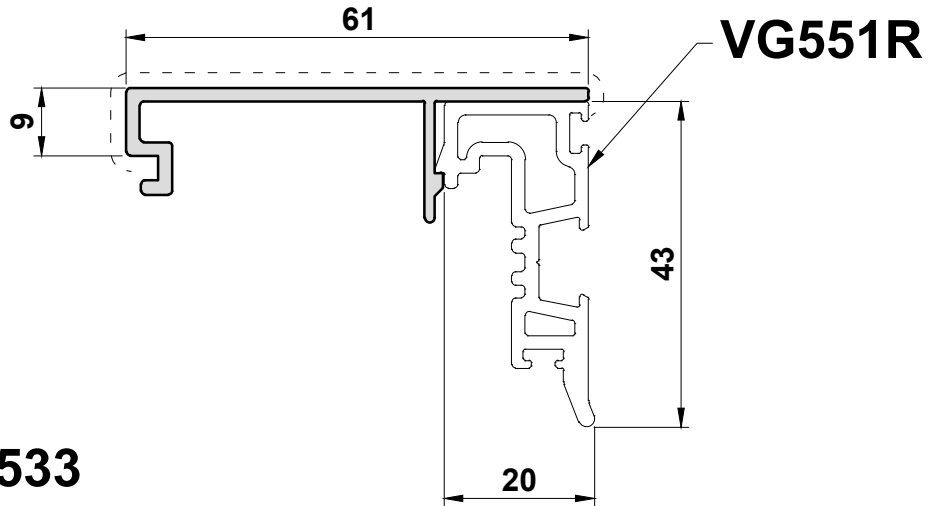
Mono Rail Fixed Light
for Lift & Slide Door



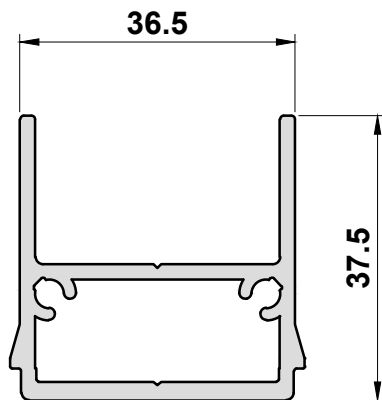
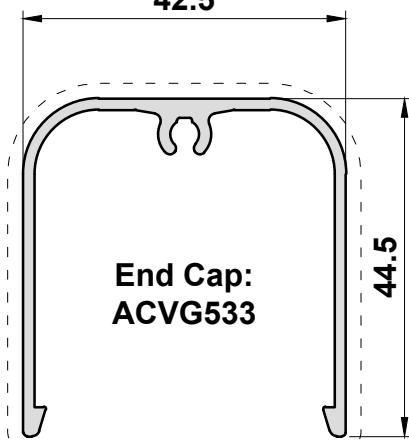
Primary Visible Side

Secondary Visible Side

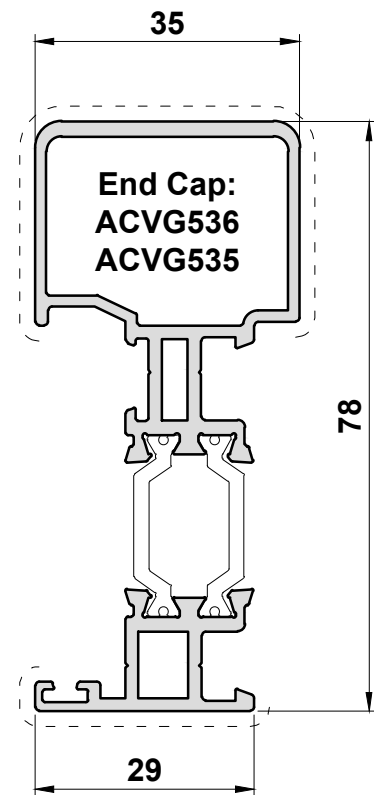
VG530
Interlock Cover



VG533
VG532 Cover Cap
42.5



VG532
Reinforcing Section



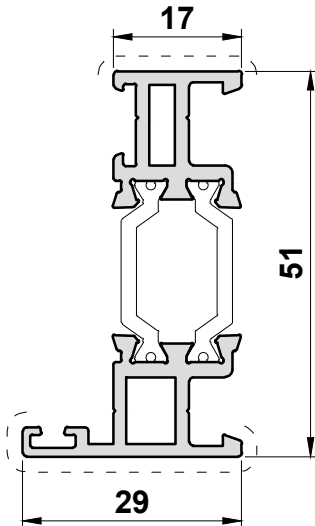
VG534
Reinforced Internal
Slim Interlock

Primary Visible Side

Secondary Visible Side

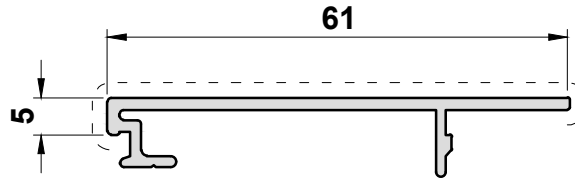
VG535

Internal Slim Interlock



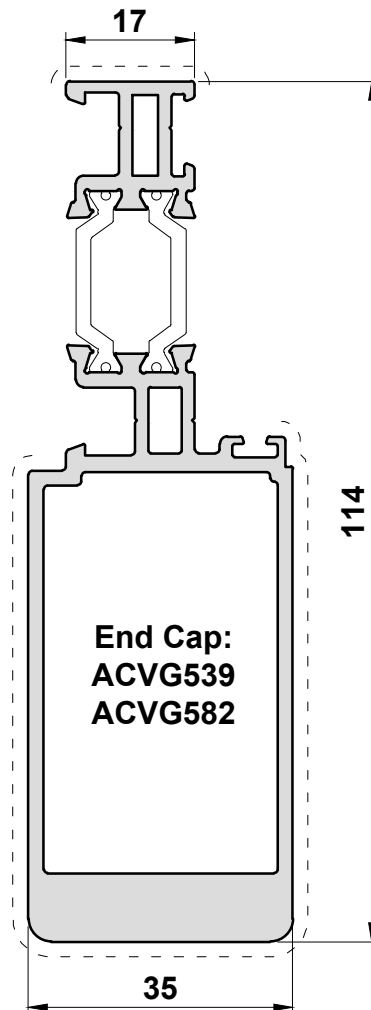
VG537

Slim Interlock Cover Cap



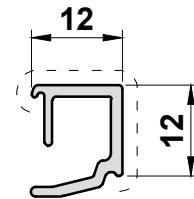
VG539

External Slim Reinforced Interlock



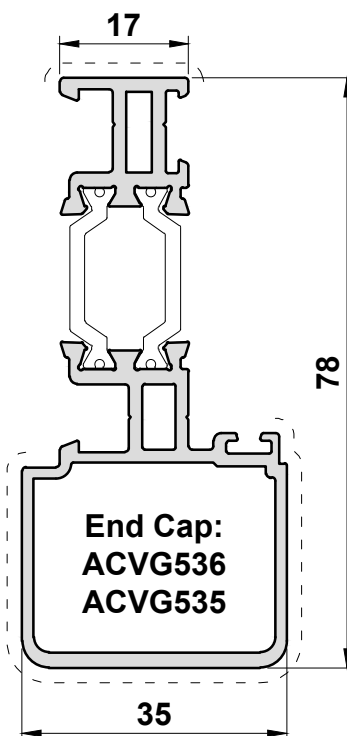
VG565

28-30mm Glazing Narrow Bead



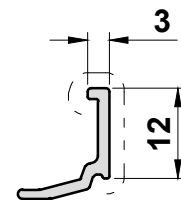
VG536

External Slim Interlock



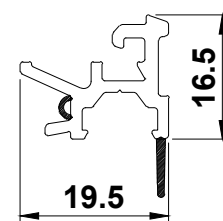
VG566

36-38mm Glazing Narrow Bead



VG552N

Narrow PVC Interlock

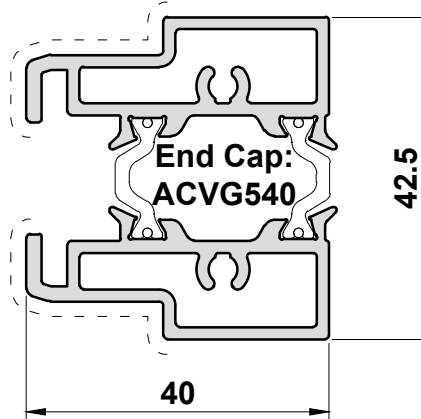


Primary Visible Side

Secondary Visible Side

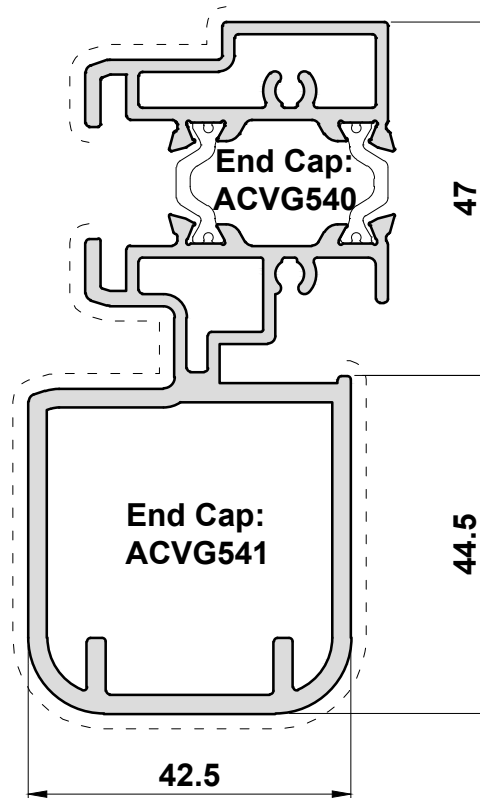
VG540

Meeting Stile Adaptor
NOT For Lift & Slide



VG541

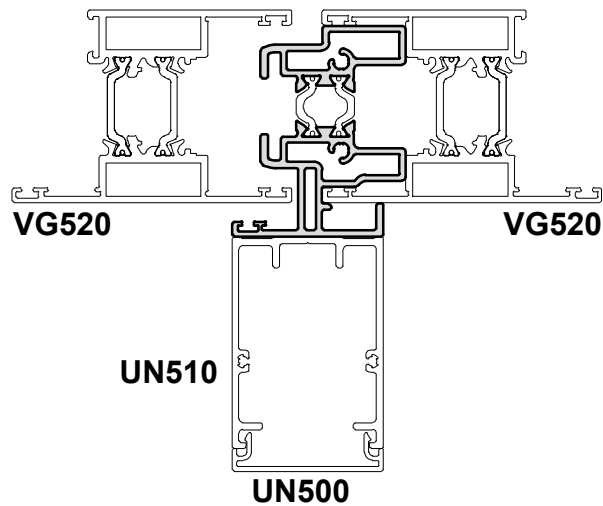
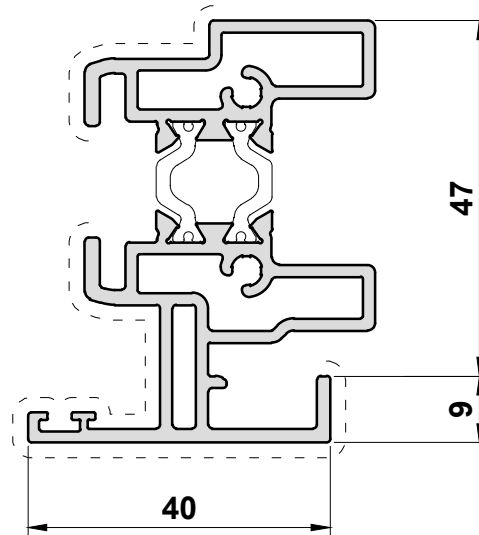
Reinforced Meeting Stile Adaptor
NOT For Lift & Slide



Primary Visible Side

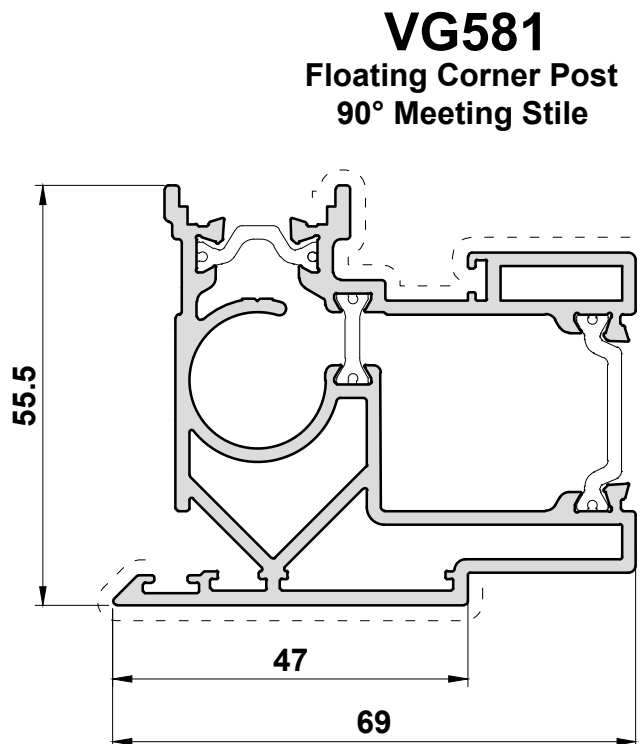
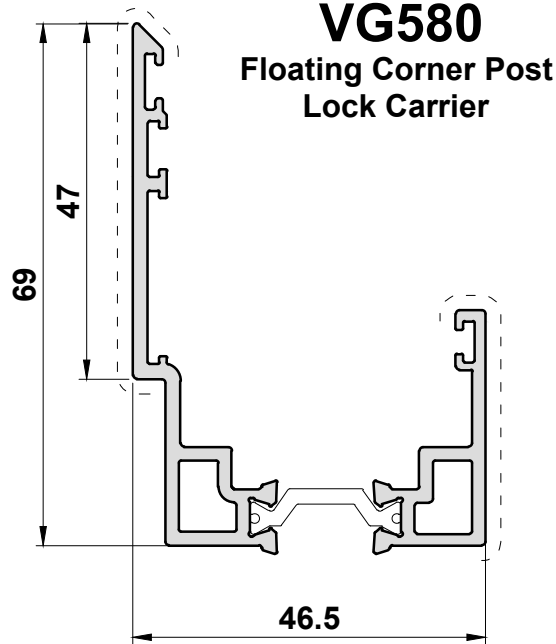
Secondary Visible Side

VG542 Rebated Meeting Stile Adaptor



Primary Visible Side

Secondary Visible Side

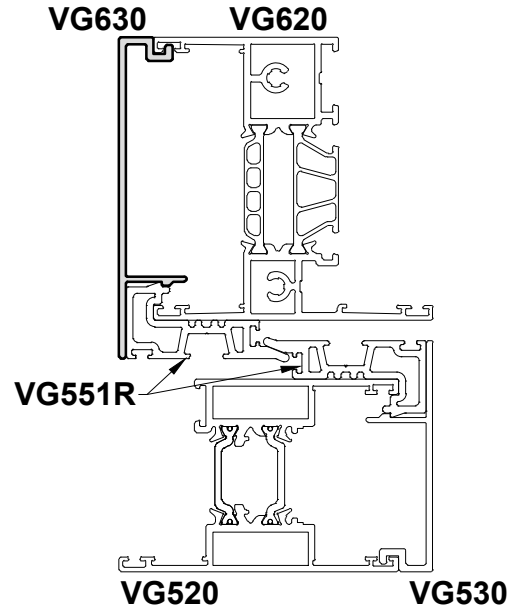
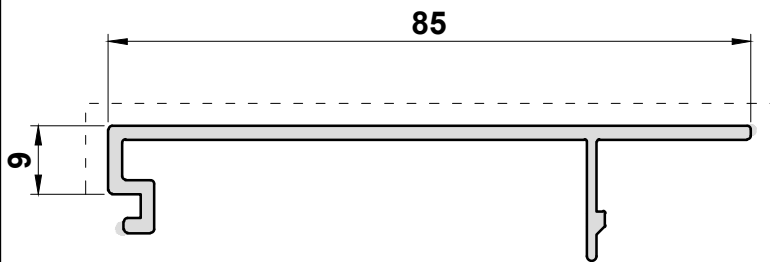


Primary Visible Side

Secondary Visible Side

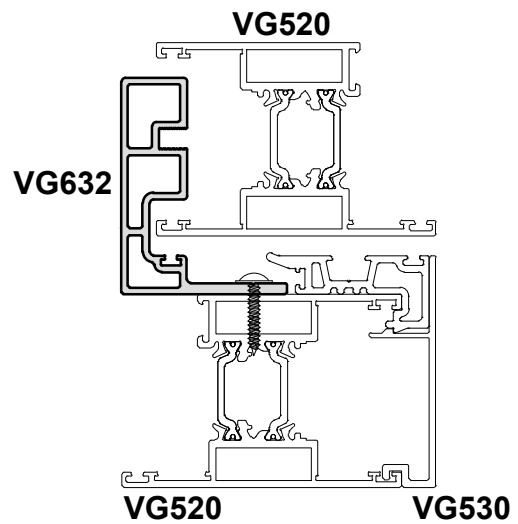
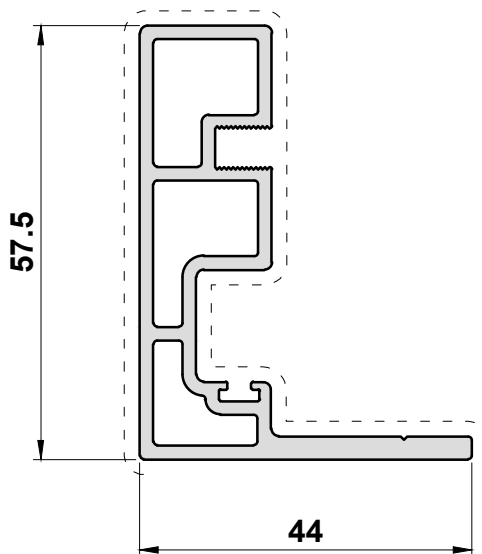
VG630

Monorail Slide Interlock
Cover Cap



VG632

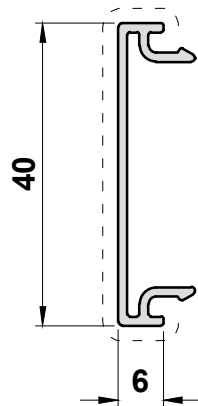
Meeting Section



Primary Visible Side

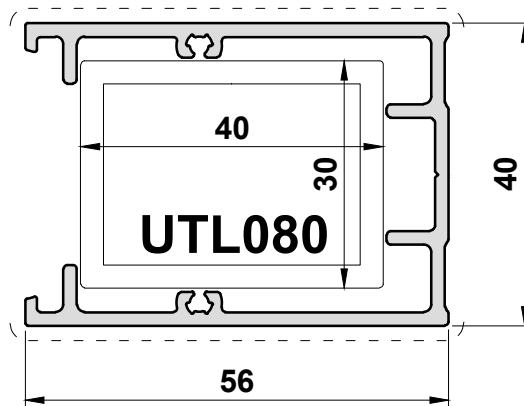
Secondary Visible Side

UN500
Cover Cap



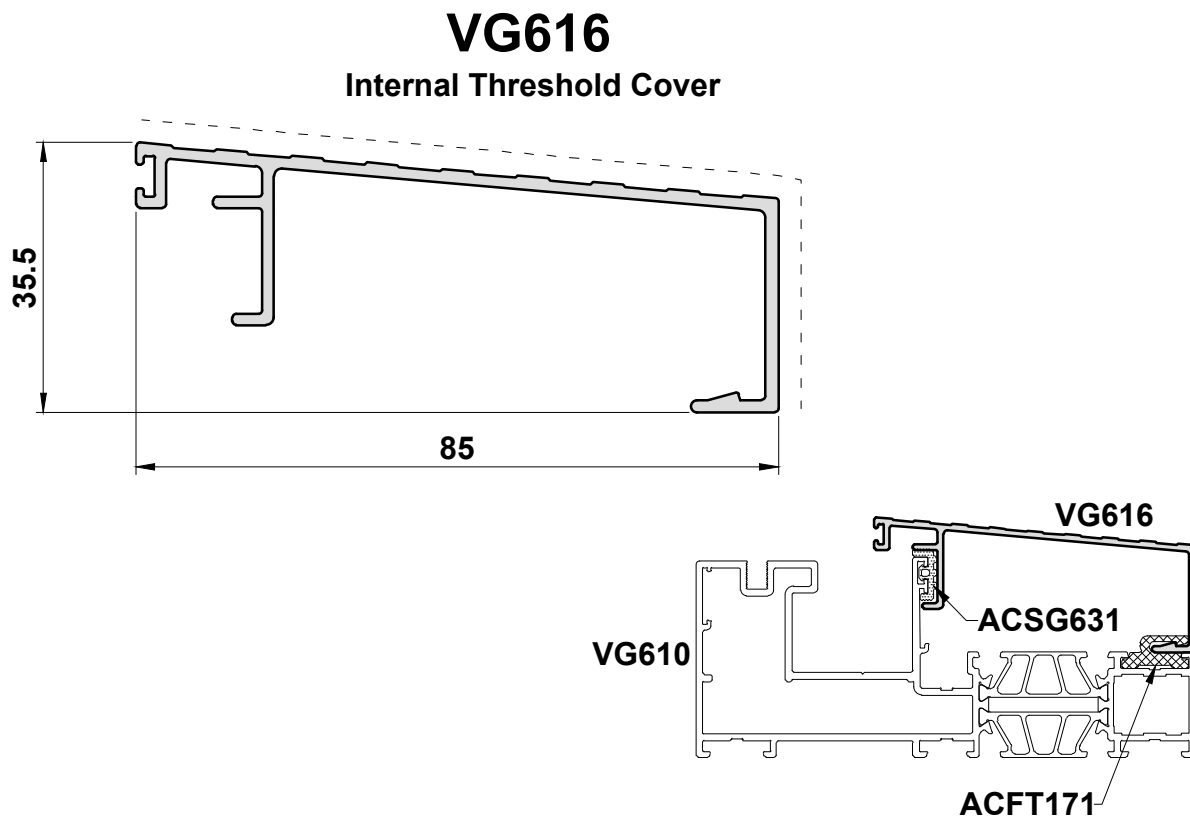
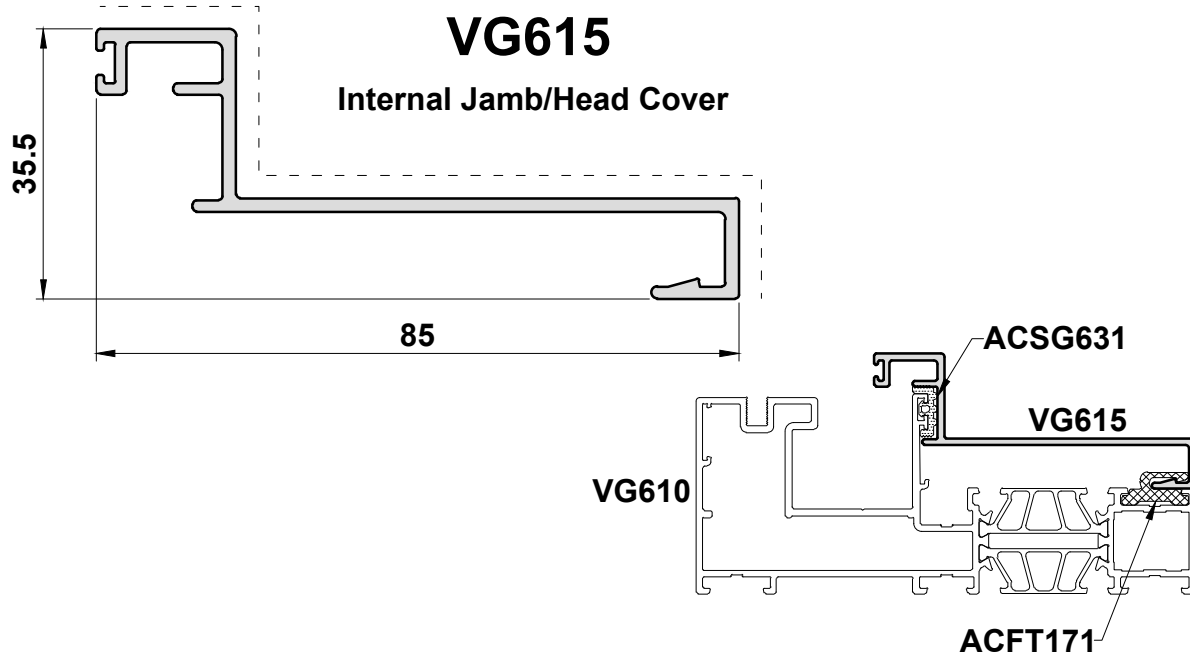
UN510
Reinforcement Profile

End Cap:
ACUN500



Primary Visible Side

Secondary Visible Side

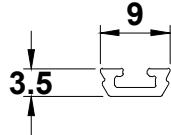


Primary Visible Side

Secondary Visible Side

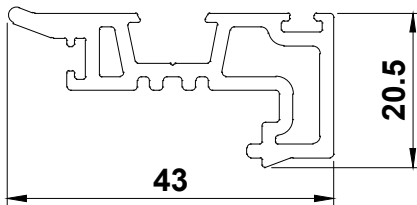
VG586

Polyamide Weather Strip Carrier



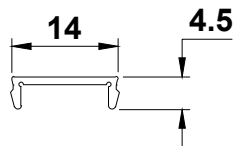
VG551R

Polyamide Interlock



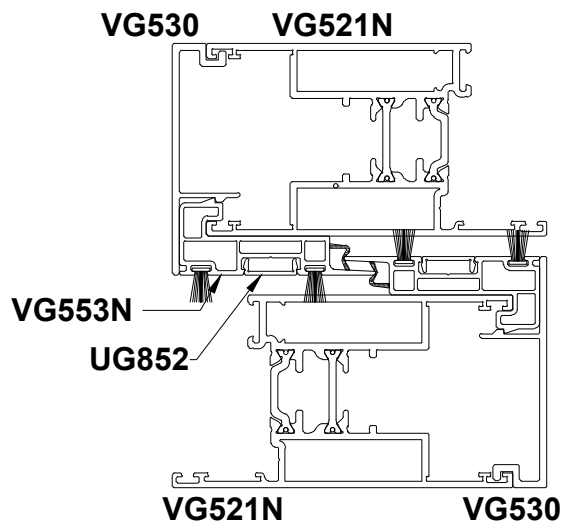
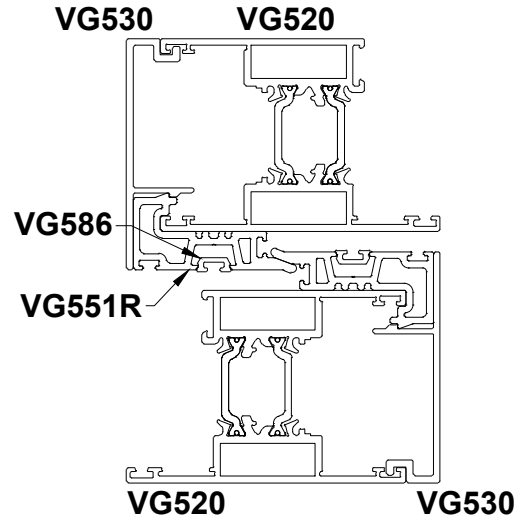
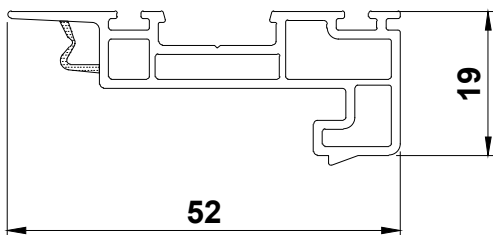
UG852

Infill Channel



VG553N

Lift & Slide PVC Interlock

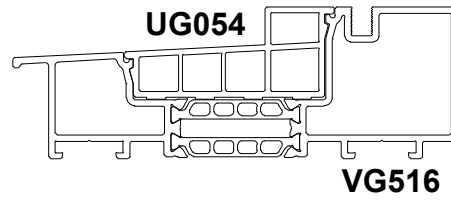
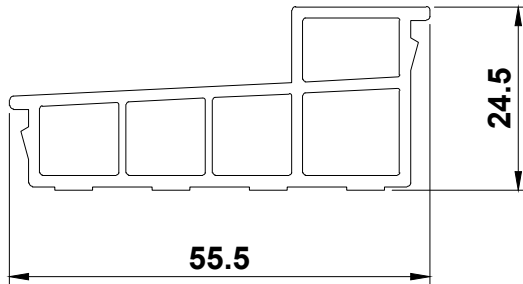


Primary Visible Side

Secondary Visible Side

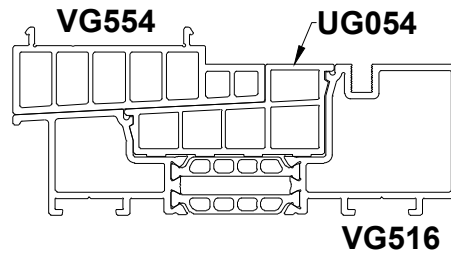
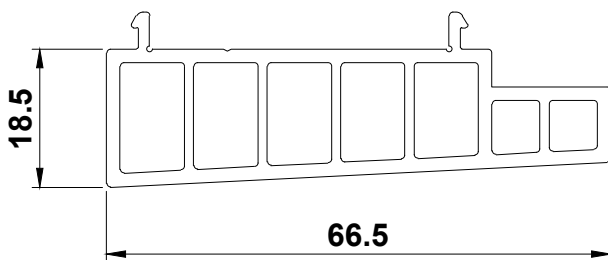
UG054

Mono Rail Infill



VG554

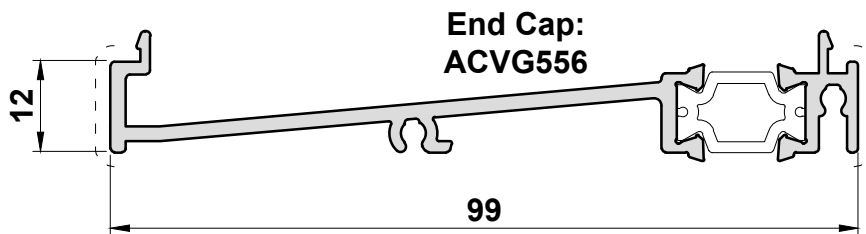
Mono Rail Fixed Light Holder



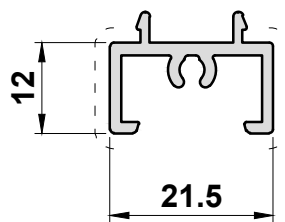
Primary Visible Side

Secondary Visible Side

VG556 Drainage Tray



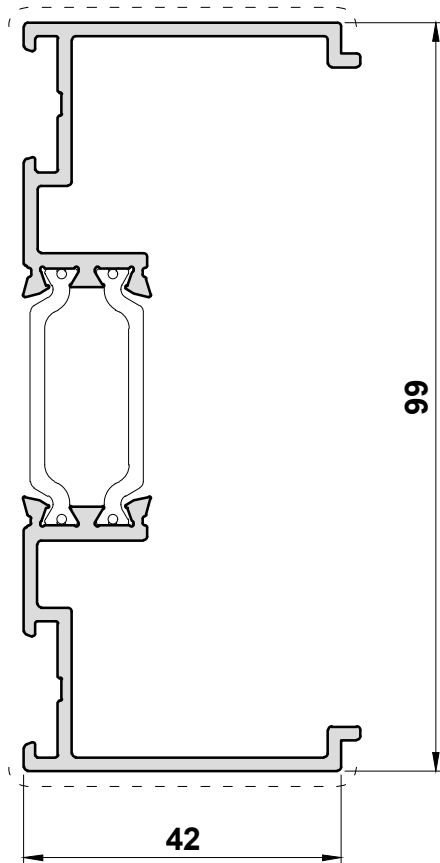
VG557 Frame Extension



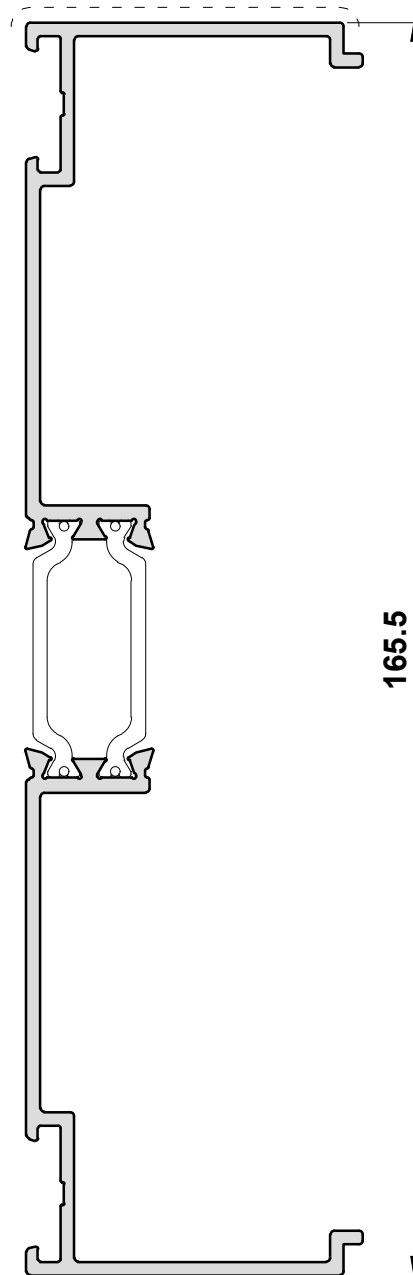
Primary Visible Side

Secondary Visible Side

VG558
VG510 Track
Head Extension



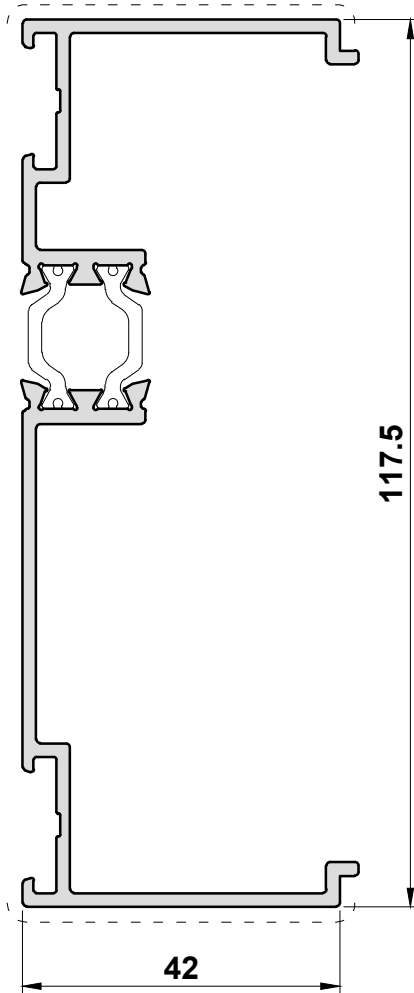
VG559
VG512 Track
Head Extension



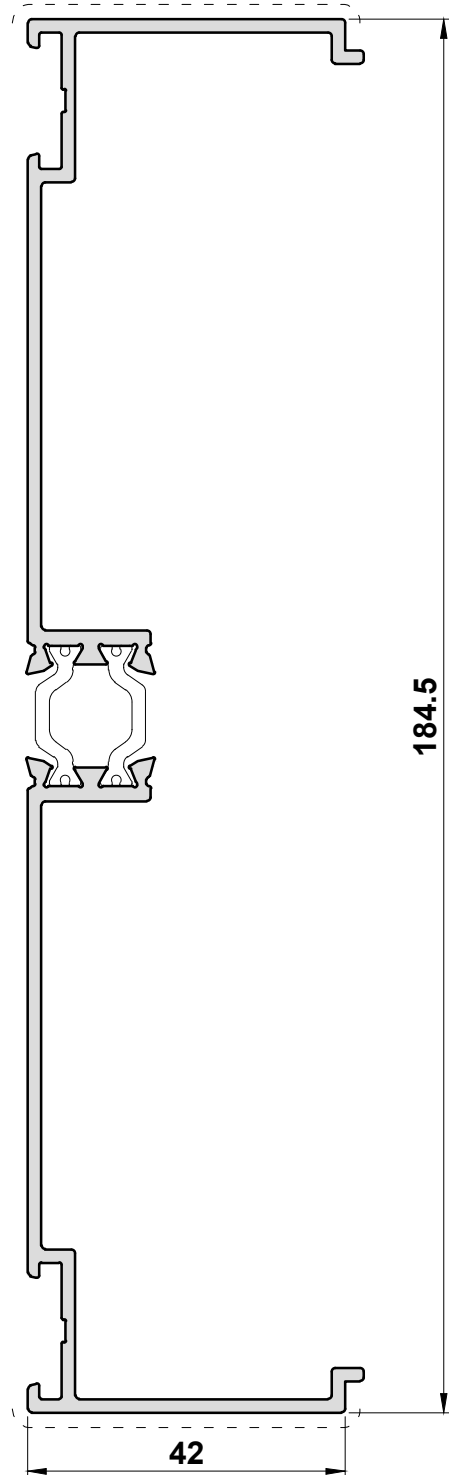
Primary Visible Side

Secondary Visible Side

VG572
VG511N/VG518 Track
Head Extension



VG573
VG513N/VG612 Track
Head Extension

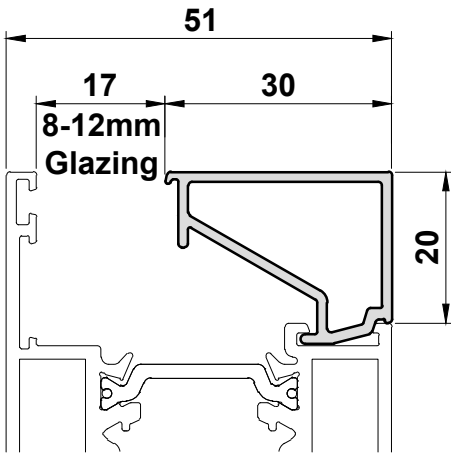


Primary Visible Side

Secondary Visible Side

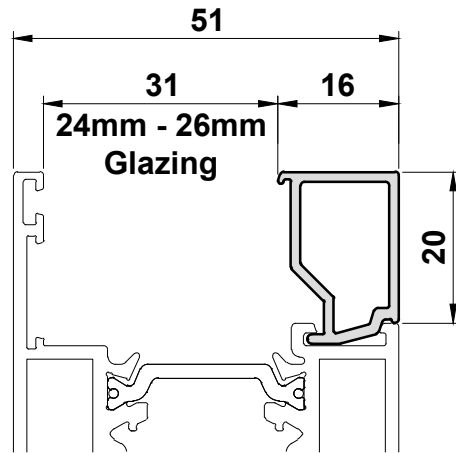
VG430

Single Glazing Bead



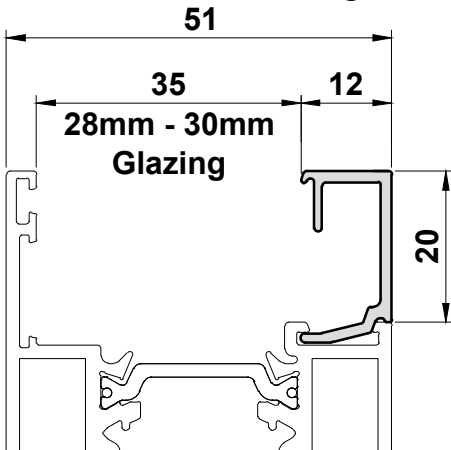
VG416

Glazing Bead



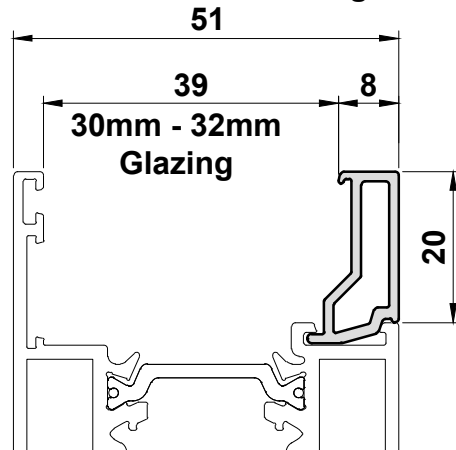
VG560

Glazing Bead



VG408

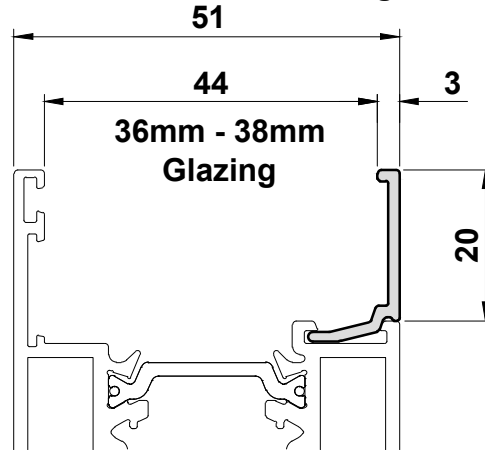
Glazing Bead



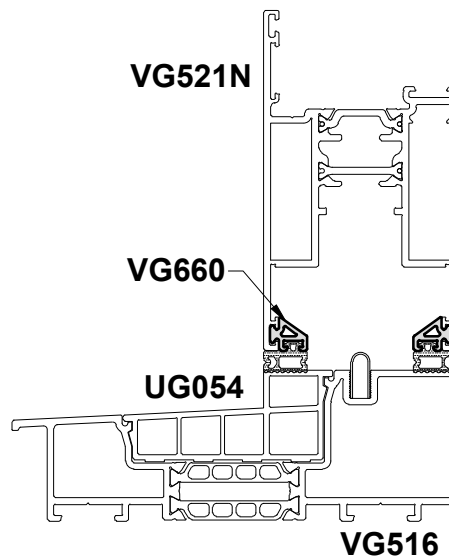
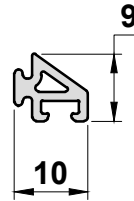
Primary Visible Side

Secondary Visible Side

VG561 Glazing Bead



VG660 Lift & Slide Gasket Carrier



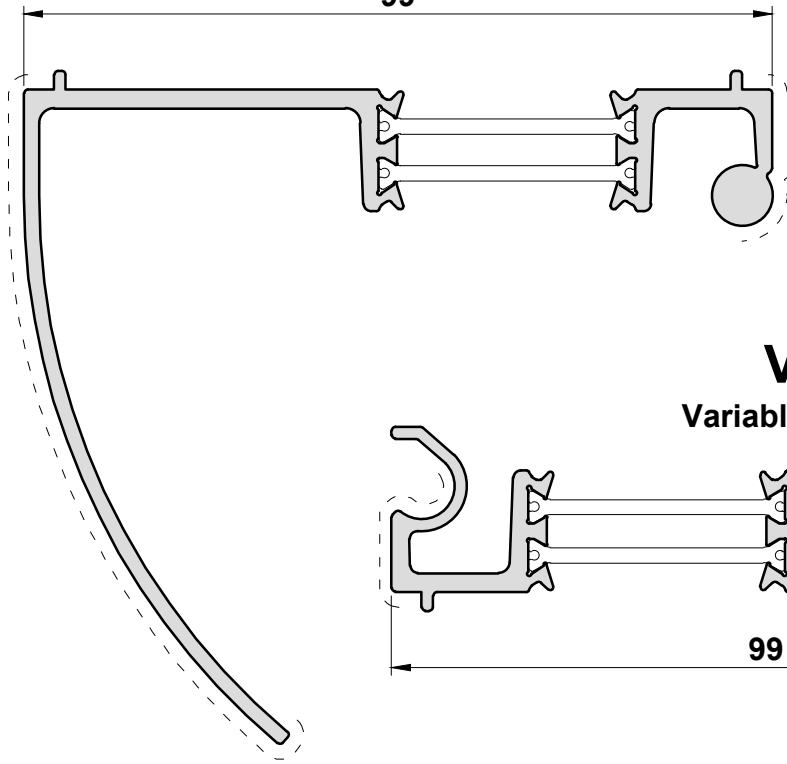
Primary Visible Side

Secondary Visible Side

VG651

Variable Angle Coupler

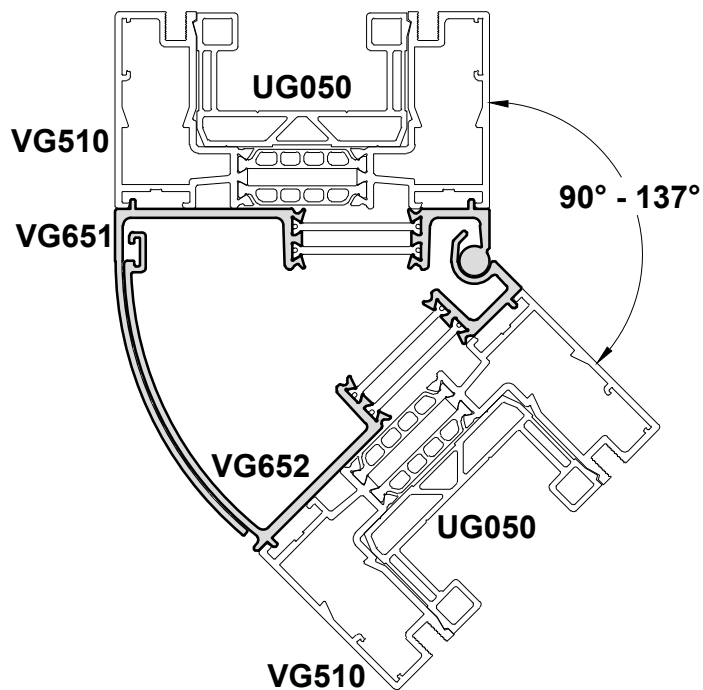
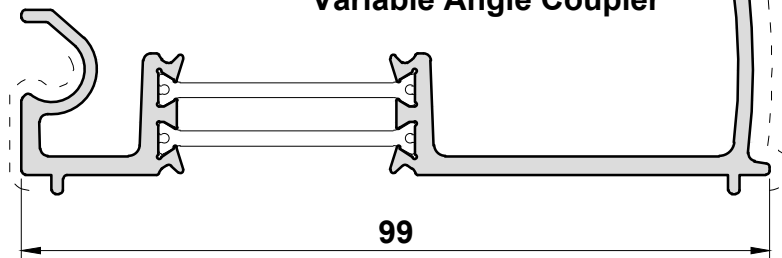
99



VG652

Variable Angle Coupler

99



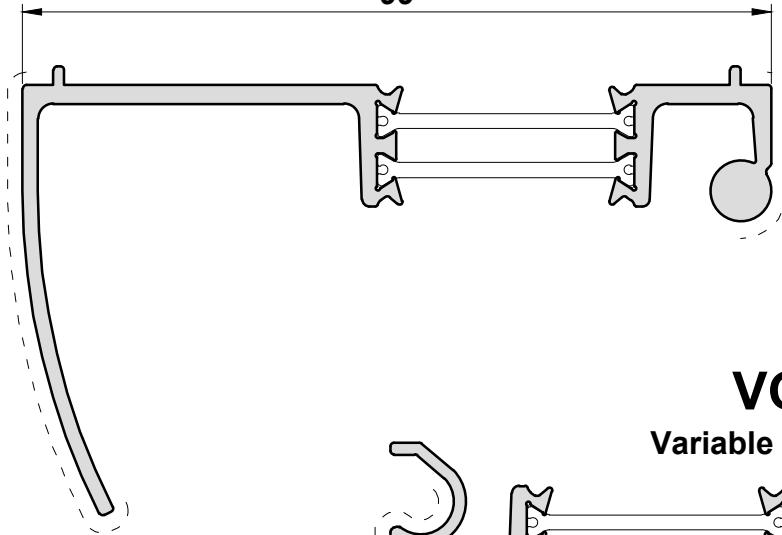
Primary Visible Side

Secondary Visible Side

VG653

Variable Angle Coupler

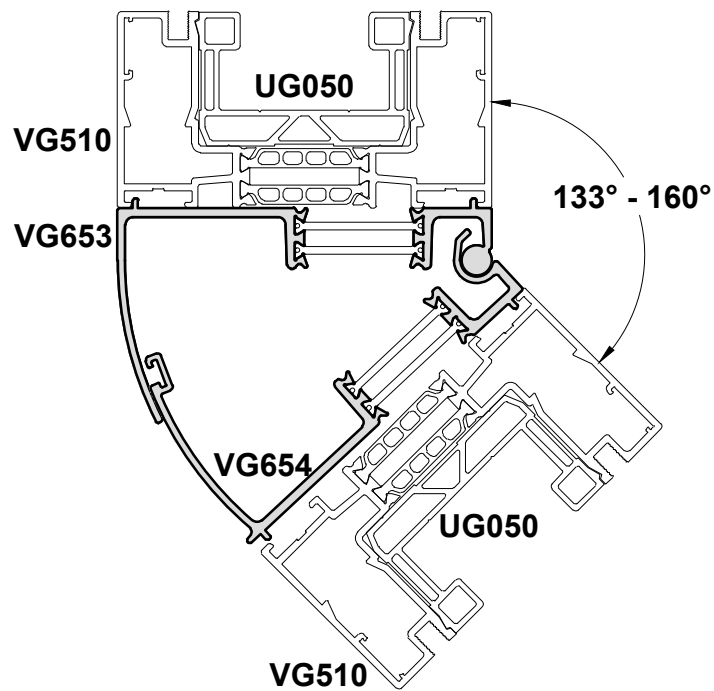
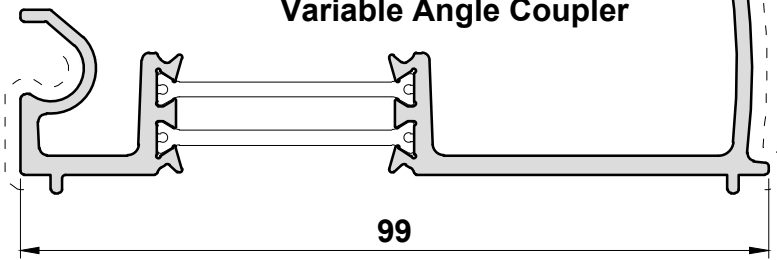
99



VG654

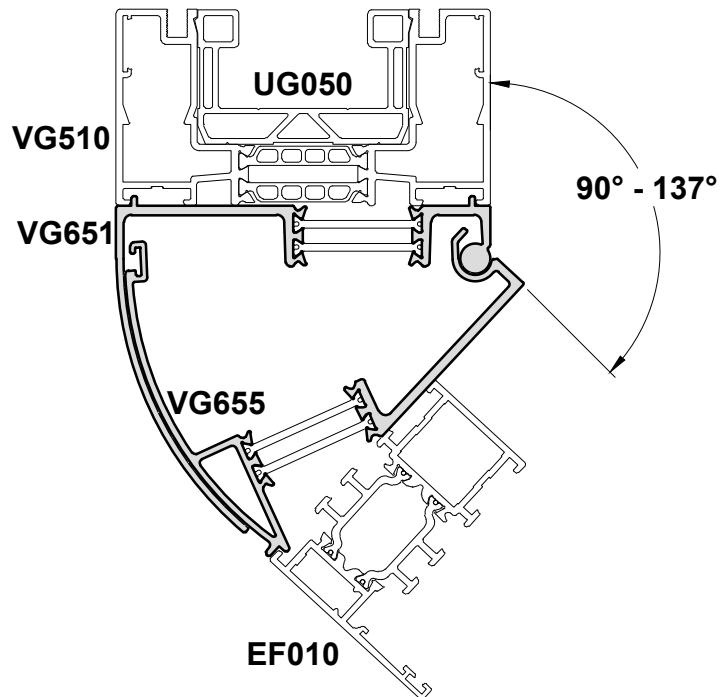
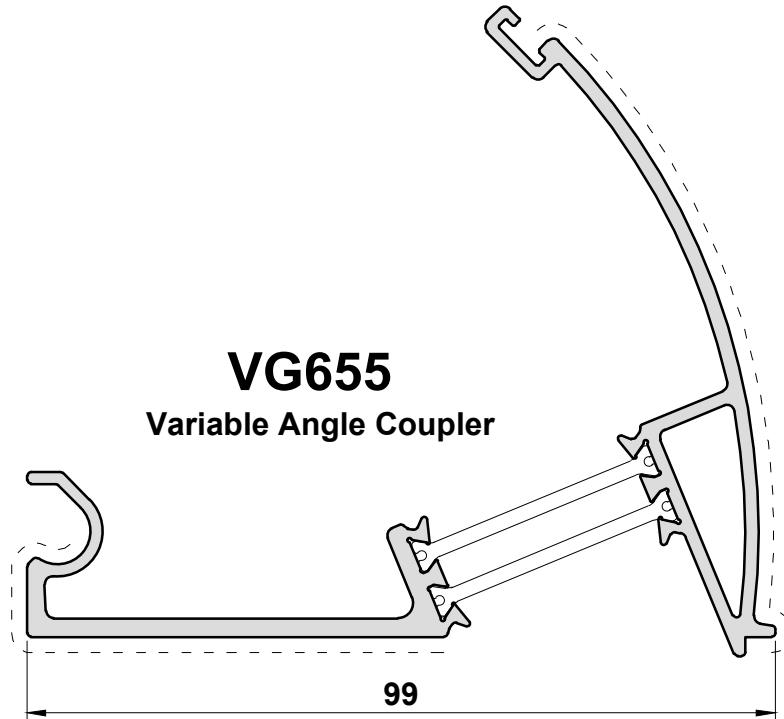
Variable Angle Coupler

99



Primary Visible Side

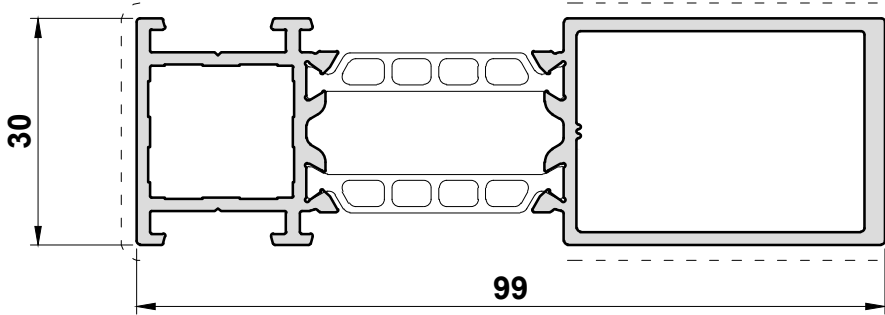
Secondary Visible Side



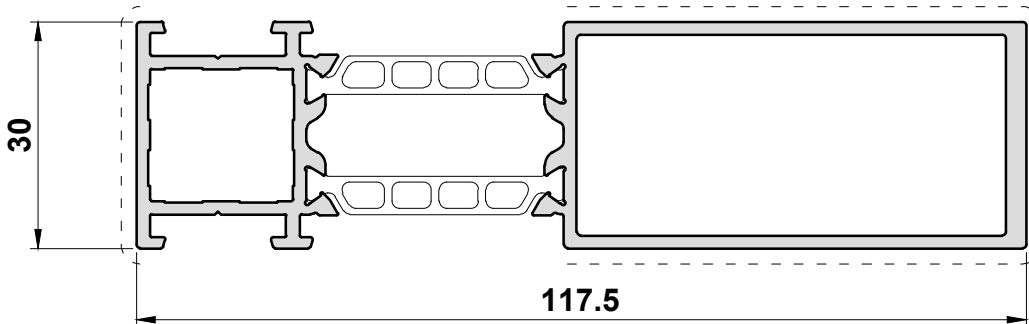
Primary Visible Side

Secondary Visible Side

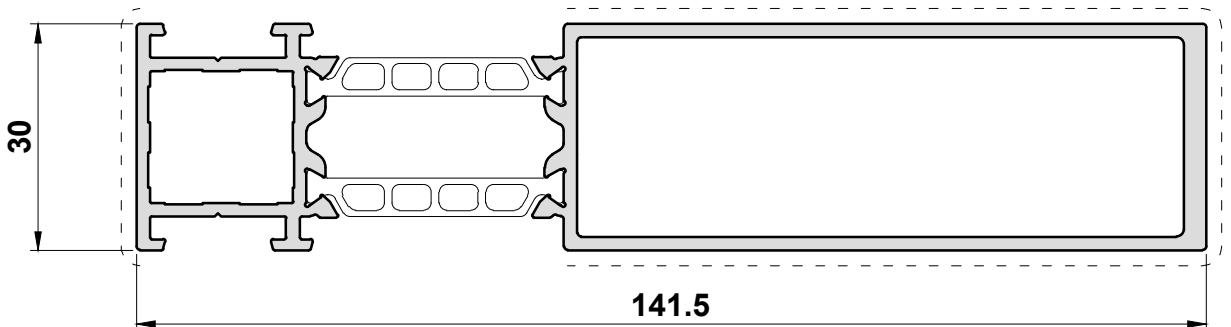
VG670
Coupler



VG671
Coupler



VG681
Coupler



Scale 1:1

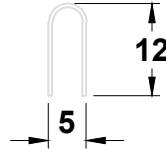
Primary Visible Side

Secondary Visible Side

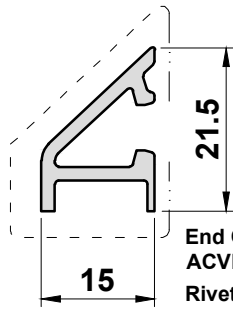
VG52
PVC Infill



VG53
Stainless Steel Track

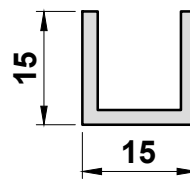


VL72
Weather Drip

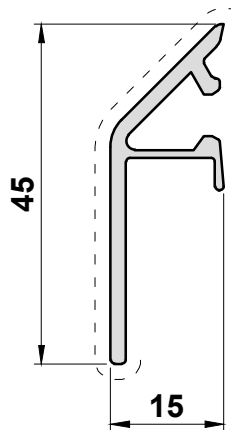


End Caps:
ACVL059
Rivets:
ACVL061

UTL027
Jamb Insert

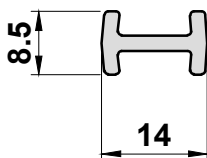


VL76
Weather Drip



Rivets:
ACVL061

VL75
Coupling Piece

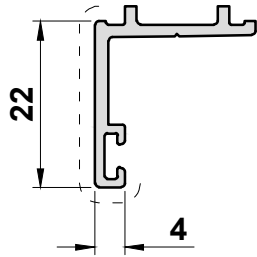


Scale 1:1

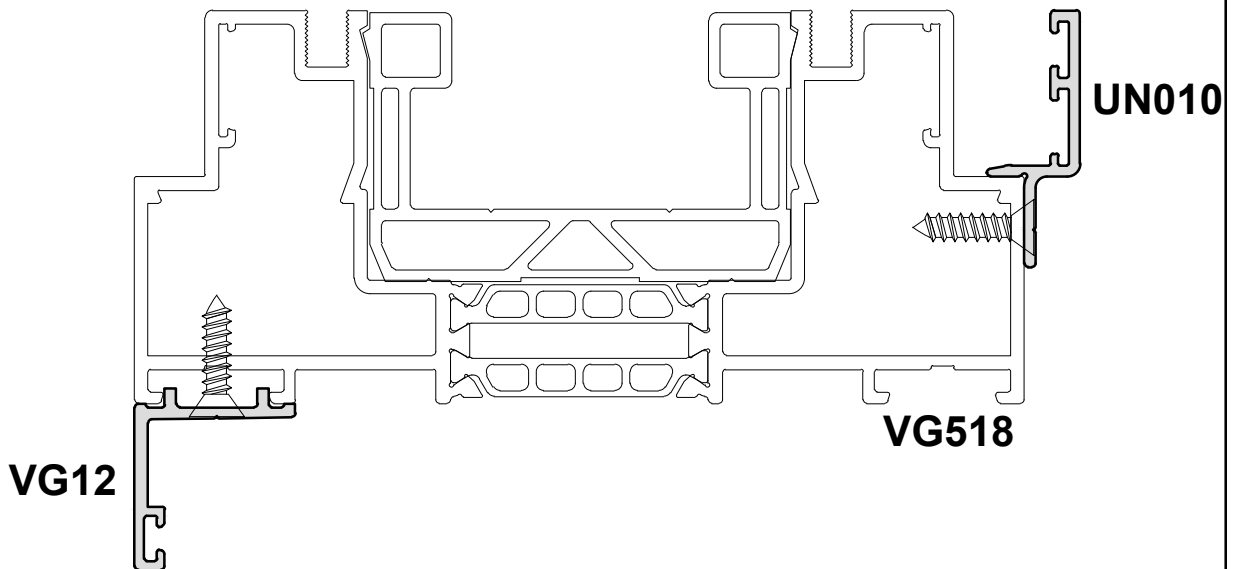
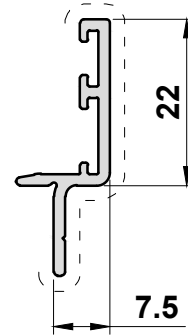
Primary Visible Side

Secondary Visible Side

VG12
Frame Surround



UN010
Frame Upstand



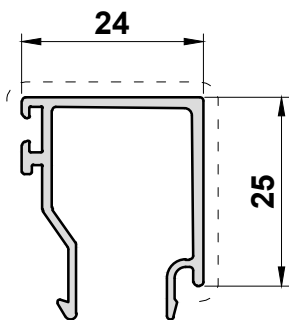
Scale 1:1

Primary Visible Side

Secondary Visible Side

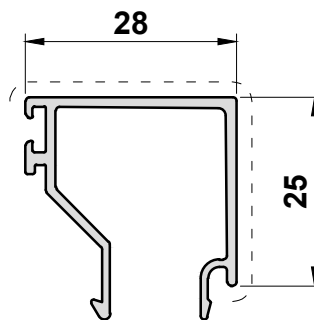
GL724 Mono Rail

38mm - 40mm Glazing Bead



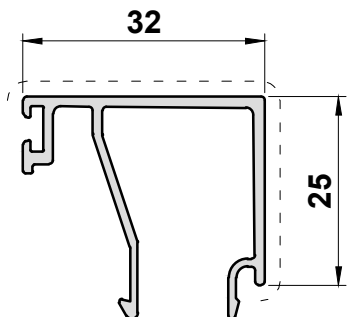
GL728 Mono Rail

36mm - 37mm Glazing Bead



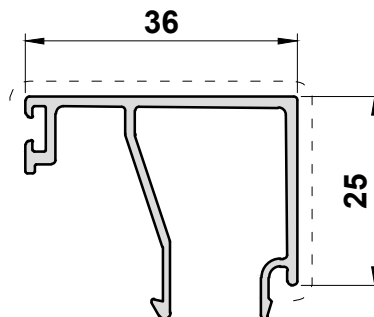
GL732 Mono Rail

32mm - 34mm Glazing Bead



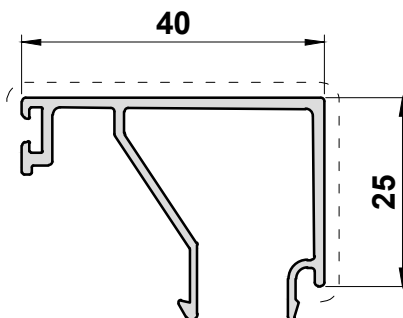
GL736 Mono Rail

28mm - 30mm Glazing Bead



GL740 Mono Rail

24mm - 26mm Glazing Bead

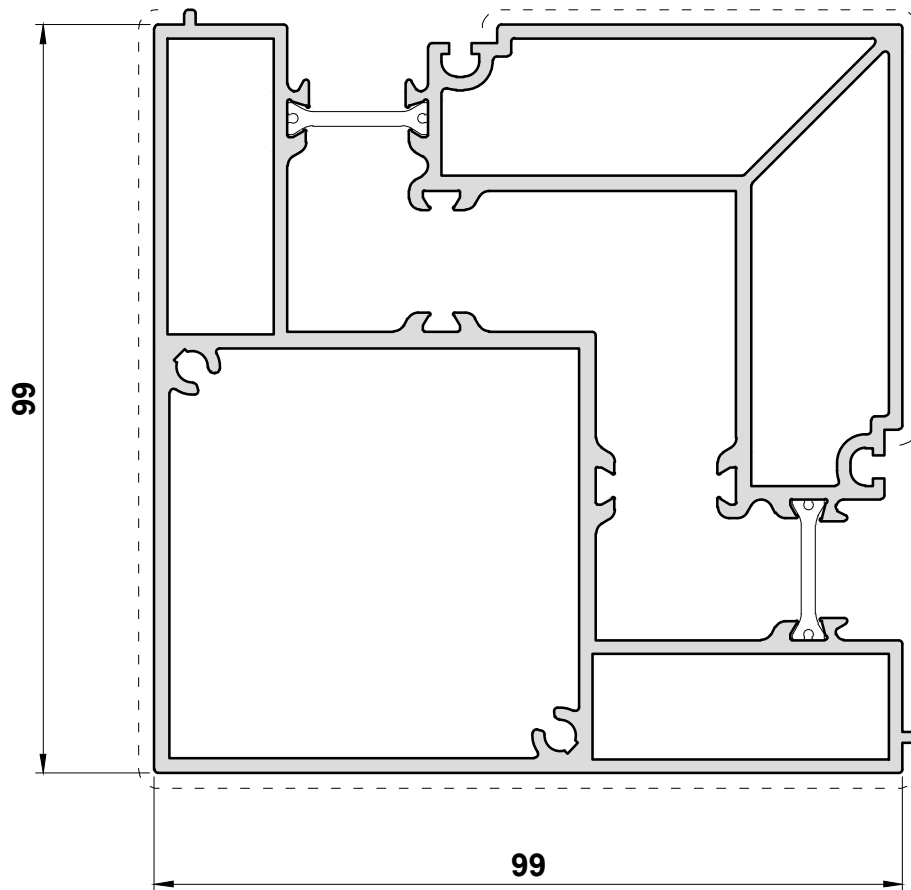


Scale 1:1

Primary Visible Side

Secondary Visible Side

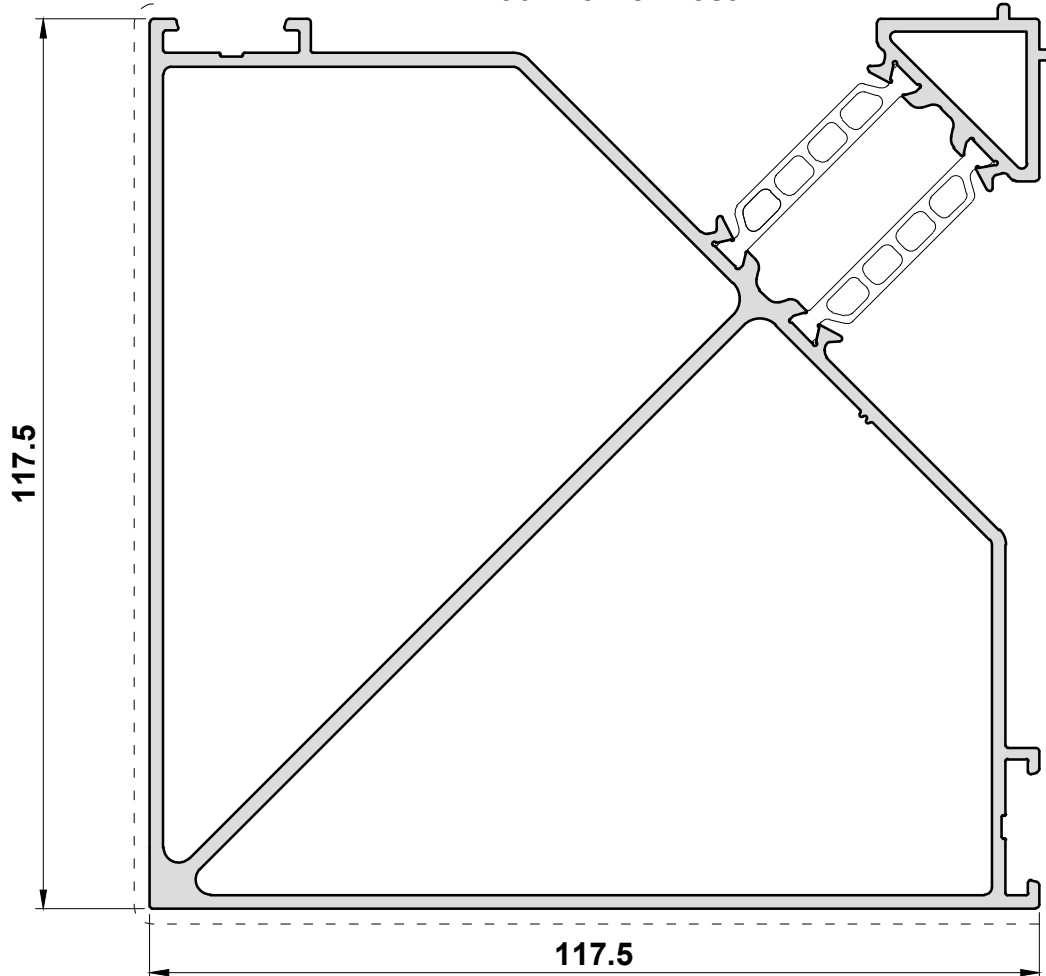
VL155 90° Corner Post



Primary Visible Side

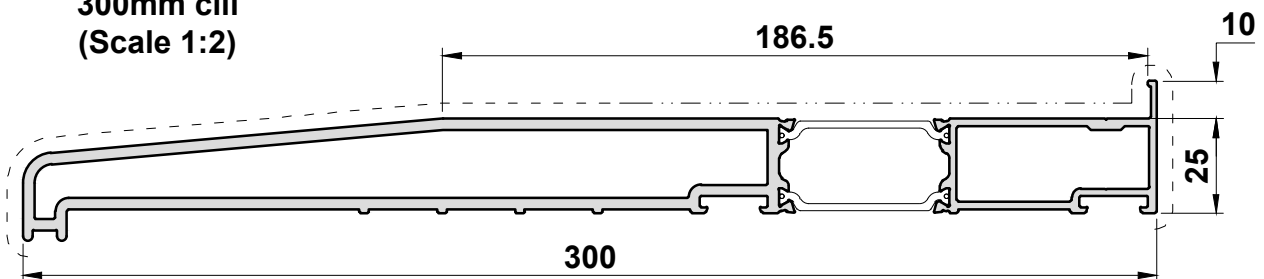
Secondary Visible Side

VG674
90° Corner Post



ETC478

300mm cill
(Scale 1:2)



Section B

Accessories


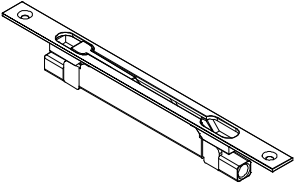
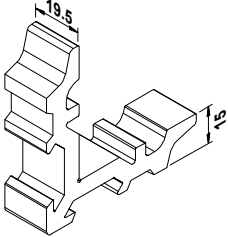
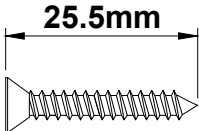
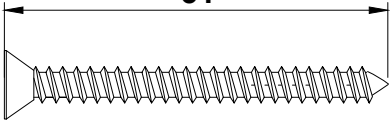

Photos & Drawings

Section B

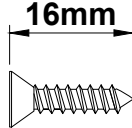
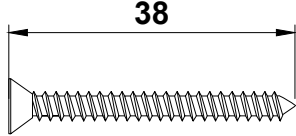
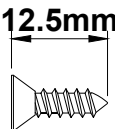
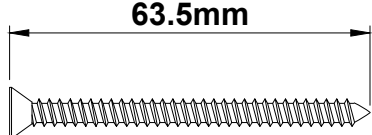
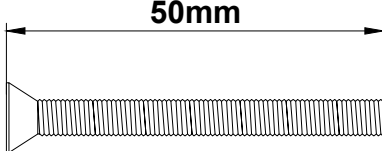
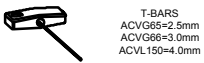

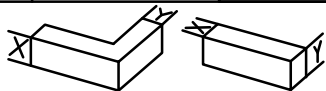
ACCESSORIES : PHOTOS & DRAWINGS

Image	Part Code	Pack	Unit	Application	Colour
	ACCY3030S1 High Security 30/30 Europrofile Cylinder Anti-Bump, Anti-Pick, Anti-Screw & Anti-Drill protection. Nickel Finish <u>Keyed Alike Unavailable</u>	1	Each	ACSZ750 ACSZ751	MF SA KL HP SSC SMC W Z PC
	ACCY4040S1 High Security 40/40 Europrofile Cylinder Anti-Bump, Anti-Pick, Anti-Screw & Anti-Drill protection. Nickel Finish <u>Keyed Alike Unavailable</u>	1	Each	ACSZ400 ACSZ839	MF SA KL HP SSC SMC W Z PC
	ACDR052 No.10 x 50 S/S Self Tapping Pan Head	200	Pack		MF SA KL HP SSC SMC W Z PC
	ACDV264 M4 x 35 CSK S/S Screw	100	Pack		MF SA KL HP SSC SMC W Z PC
	ACDV265 M4 x 60 CSK S/S Screw	100	Pack		MF SA KL HP SSC SMC W Z PC
<p>T-BARS ACV666=2.5mm ACV666=3.0mm ACVL150=4.0mm</p> <p>Screw (Grub)</p>	MF = Mill Finish SA = Silver Anodised KL = Basic Colour HP = Special Colour SSC = Smooth Satin Chrome SMC = Smokey Chrome PC = Polished Chrome	W = White Z = Black			

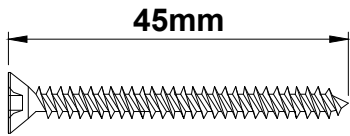
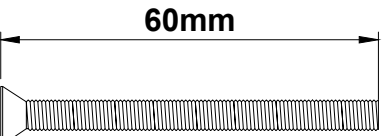
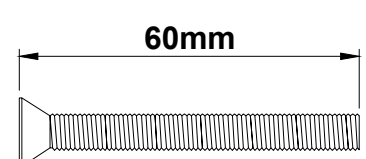
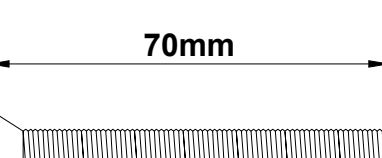
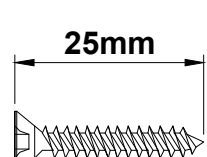
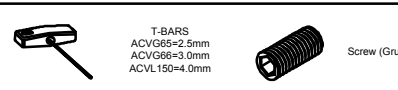
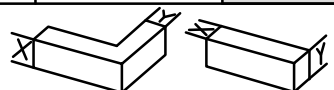
ACCESSORIES : PHOTOS & DRAWINGS

Image	Part Code	Pack	Unit	Application	Colour
	ACDV313 Shotbolt End Piece	1	Each	ACDV326	MF
					SA
					KL
					HP
					SSC
					SMC
					W
					Z
					PC
					
SA					
KL					
HP					
SSC					
SMC					
W					
Z					
PC					
	ACEF010B Crimp Corner Cleat	24	Pack	VG610 VG618	
					SA
					KL
					HP
					SSC
					SMC
					W
					Z
					PC
					
SA					
KL					
HP					
SSC					
SMC					
W					
Z					
PC					
	ACET062 No.10 x 50mm CSK S/S Self Tapping Screw	100	Pack		
					SA
					KL
					HP
					SSC
					SMC
					W
					Z
					PC
					 <small>T-BARS ACVG66=2.5mm ACVG66=3.0mm ACVL150=4.0mm</small>

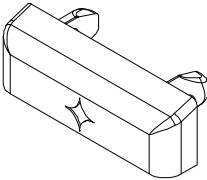
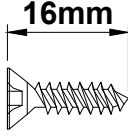
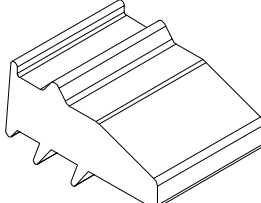
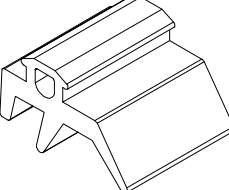
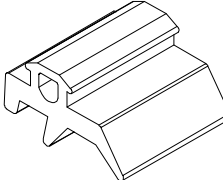


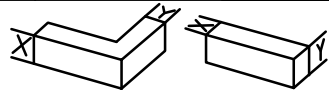
ACCESSORIES : PHOTOS & DRAWINGS

Image	Part Code	Pack	Unit	Application	Colour																		
	ACET064 No.8 x 16 CSK S/S Self Tapping Screw	100	Pack		<table border="1"> <tr><td>MF</td><td></td></tr> <tr><td>SA</td><td></td></tr> <tr><td>KL</td><td></td></tr> <tr><td>HP</td><td></td></tr> <tr><td>SSC</td><td></td></tr> <tr><td>SMC</td><td></td></tr> <tr><td>W</td><td></td></tr> <tr><td>Z</td><td></td></tr> <tr><td>PC</td><td></td></tr> </table>	MF		SA		KL		HP		SSC		SMC		W		Z		PC	
MF																							
SA																							
KL																							
HP																							
SSC																							
SMC																							
W																							
Z																							
PC																							
	ACET066 No.7 x 38 CSK S/S Self Tapping Screw	100	Pack		<table border="1"> <tr><td>MF</td><td></td></tr> <tr><td>SA</td><td></td></tr> <tr><td>KL</td><td></td></tr> <tr><td>HP</td><td></td></tr> <tr><td>SSC</td><td></td></tr> <tr><td>SMC</td><td></td></tr> <tr><td>W</td><td></td></tr> <tr><td>Z</td><td></td></tr> <tr><td>PC</td><td></td></tr> </table>	MF		SA		KL		HP		SSC		SMC		W		Z		PC	
MF																							
SA																							
KL																							
HP																							
SSC																							
SMC																							
W																							
Z																							
PC																							
	ACET067 No.7 x 12.5 CSK S/S Self Tapping Screw	100	Pack		<table border="1"> <tr><td>MF</td><td></td></tr> <tr><td>SA</td><td></td></tr> <tr><td>KL</td><td></td></tr> <tr><td>HP</td><td></td></tr> <tr><td>SSC</td><td></td></tr> <tr><td>SMC</td><td></td></tr> <tr><td>W</td><td></td></tr> <tr><td>Z</td><td></td></tr> <tr><td>PC</td><td></td></tr> </table>	MF		SA		KL		HP		SSC		SMC		W		Z		PC	
MF																							
SA																							
KL																							
HP																							
SSC																							
SMC																							
W																							
Z																							
PC																							
	ACET076 No.10 x 2.5" CSK S/S Self Tapper Screw	100	Pack		<table border="1"> <tr><td>MF</td><td></td></tr> <tr><td>SA</td><td></td></tr> <tr><td>KL</td><td></td></tr> <tr><td>HP</td><td></td></tr> <tr><td>SSC</td><td></td></tr> <tr><td>SMC</td><td></td></tr> <tr><td>W</td><td></td></tr> <tr><td>Z</td><td></td></tr> <tr><td>PC</td><td></td></tr> </table>	MF		SA		KL		HP		SSC		SMC		W		Z		PC	
MF																							
SA																							
KL																							
HP																							
SSC																							
SMC																							
W																							
Z																							
PC																							
	ACET133 M5 x 50 CSK S/S Screw	100	Pack	ACSG024	<table border="1"> <tr><td>MF</td><td></td></tr> <tr><td>SA</td><td></td></tr> <tr><td>KL</td><td></td></tr> <tr><td>HP</td><td></td></tr> <tr><td>SSC</td><td></td></tr> <tr><td>SMC</td><td></td></tr> <tr><td>W</td><td></td></tr> <tr><td>Z</td><td></td></tr> <tr><td>PC</td><td></td></tr> </table>	MF		SA		KL		HP		SSC		SMC		W		Z		PC	
MF																							
SA																							
KL																							
HP																							
SSC																							
SMC																							
W																							
Z																							
PC																							
 	MF = Mill Finish SA = Silver Anodised KL = Basic Colour HP = Special Colour SSC = Smooth Satin Chrome SMC = Smokey Chrome PC = Polished Chrome	W = White Z = Black																					

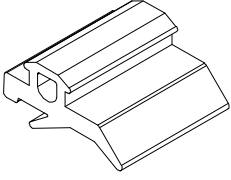
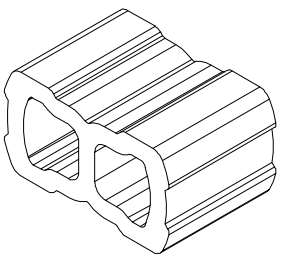
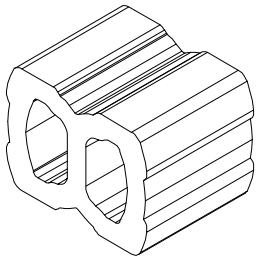
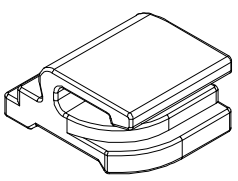



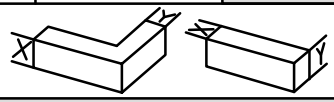
ACCESSORIES : PHOTOS & DRAWINGS

Image	Part Code	Pack	Unit	Application	Colour																		
	ACET190 4.3 x 45mm Polyamide Screw	1000	Pack	ACVG530	<table border="1"> <tr><td>MF</td><td></td></tr> <tr><td>SA</td><td></td></tr> <tr><td>KL</td><td></td></tr> <tr><td>HP</td><td></td></tr> <tr><td>SSC</td><td></td></tr> <tr><td>SMC</td><td></td></tr> <tr><td>W</td><td></td></tr> <tr><td>Z</td><td></td></tr> <tr><td>PC</td><td></td></tr> </table>	MF		SA		KL		HP		SSC		SMC		W		Z		PC	
MF																							
SA																							
KL																							
HP																							
SSC																							
SMC																							
W																							
Z																							
PC																							
	ACET220 M5 x 60 CSK S/S Screw	100	Pack		<table border="1"> <tr><td>MF</td><td></td></tr> <tr><td>SA</td><td></td></tr> <tr><td>KL</td><td></td></tr> <tr><td>HP</td><td></td></tr> <tr><td>SSC</td><td></td></tr> <tr><td>SMC</td><td></td></tr> <tr><td>W</td><td></td></tr> <tr><td>Z</td><td></td></tr> <tr><td>PC</td><td></td></tr> </table>	MF		SA		KL		HP		SSC		SMC		W		Z		PC	
MF																							
SA																							
KL																							
HP																							
SSC																							
SMC																							
W																							
Z																							
PC																							
	ACET235 M6 x 60 CSK S/S Screw	100	Pack		<table border="1"> <tr><td>MF</td><td></td></tr> <tr><td>SA</td><td></td></tr> <tr><td>KL</td><td></td></tr> <tr><td>HP</td><td></td></tr> <tr><td>SSC</td><td></td></tr> <tr><td>SMC</td><td></td></tr> <tr><td>W</td><td></td></tr> <tr><td>Z</td><td></td></tr> <tr><td>PC</td><td></td></tr> </table>	MF		SA		KL		HP		SSC		SMC		W		Z		PC	
MF																							
SA																							
KL																							
HP																							
SSC																							
SMC																							
W																							
Z																							
PC																							
	ACET237 M6 x 70 CSK S/S Screw	100	Pack		<table border="1"> <tr><td>MF</td><td></td></tr> <tr><td>SA</td><td></td></tr> <tr><td>KL</td><td></td></tr> <tr><td>HP</td><td></td></tr> <tr><td>SSC</td><td></td></tr> <tr><td>SMC</td><td></td></tr> <tr><td>W</td><td></td></tr> <tr><td>Z</td><td></td></tr> <tr><td>PC</td><td></td></tr> </table>	MF		SA		KL		HP		SSC		SMC		W		Z		PC	
MF																							
SA																							
KL																							
HP																							
SSC																							
SMC																							
W																							
Z																							
PC																							
	ACET390 4.3 x 25mm Polyamide Screw	200	Pack	ACVG558	<table border="1"> <tr><td>MF</td><td></td></tr> <tr><td>SA</td><td></td></tr> <tr><td>KL</td><td></td></tr> <tr><td>HP</td><td></td></tr> <tr><td>SSC</td><td></td></tr> <tr><td>SMC</td><td></td></tr> <tr><td>W</td><td></td></tr> <tr><td>Z</td><td></td></tr> <tr><td>PC</td><td></td></tr> </table>	MF		SA		KL		HP		SSC		SMC		W		Z		PC	
MF																							
SA																							
KL																							
HP																							
SSC																							
SMC																							
W																							
Z																							
PC																							
 <p>T-BARS ACVG65=2.5mm ACVG66=3.0mm ACVL150=4.0mm</p> <p>Screw (Grub)</p>	MF = Mill Finish SA = Silver Anodised KL = Basic Colour HP = Special Colour SSC = Smooth Satin Chrome SMC = Smokey Chrome PC = Polished Chrome	W = White Z = Black																					

ACCESSORIES : PHOTOS & DRAWINGS

Image	Part Code	Pack	Unit	Application	Colour
	ACET431 Drainage Cover Cap	8	Pack		MF
					SA
					KL
					HP
					SSC
					SMC
					W
					Z
					PC
	ACET490 4.3 x 16mm Polyamide Screw	1000	Pack	ACUG030	MF
					SA
					KL
					HP
					SSC
					SMC
					W
					Z
					PC
	ACET840 5mm Low Line Wedge Gasket	150	m		MF
					SA
					KL
					HP
					SSC
					SMC
					W
					Z
					PC
	ACET841 4mm External Low Line Gasket	200	m		MF
					SA
					KL
					HP
					SSC
					SMC
					W
					Z
					PC
	ACET842 3mm Low Line External Gasket	200	m		MF
					SA
					KL
					HP
					SSC
					SMC
					W
					Z
					PC
 <small>T-BARS ACVG66=2.5mm ACVG66=3.0mm ACVL150=4.0mm</small>	 <small>Screw (Grub)</small>	MF = Mill Finish SA = Silver Anodised KL = Basic Colour HP = Special Colour SSC = Smooth Satin Chrome SMC = Smokey Chrome PC = Polished Chrome	W = White Z = Black		

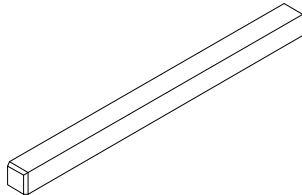
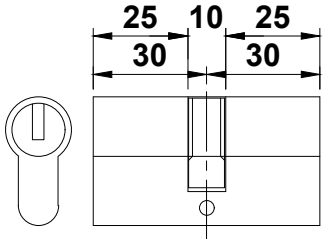
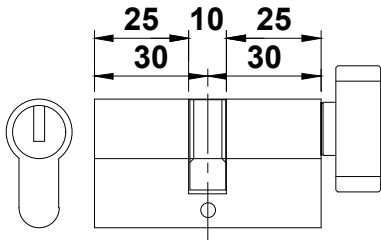
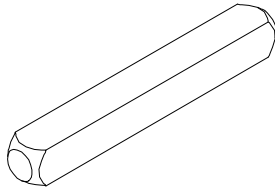
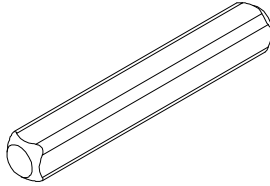


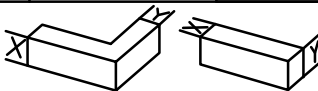
ACCESSORIES : PHOTOS & DRAWINGS

Image	Part Code	Pack	Unit	Application	Colour																		
	ACET843 2mm Low Line External Gasket	200	m		<table border="1"> <tr><td>MF</td><td></td></tr> <tr><td>SA</td><td></td></tr> <tr><td>KL</td><td></td></tr> <tr><td>HP</td><td></td></tr> <tr><td>SSC</td><td></td></tr> <tr><td>SMC</td><td></td></tr> <tr><td>W</td><td></td></tr> <tr><td>Z</td><td>✓</td></tr> <tr><td>PC</td><td></td></tr> </table>	MF		SA		KL		HP		SSC		SMC		W		Z	✓	PC	
MF																							
SA																							
KL																							
HP																							
SSC																							
SMC																							
W																							
Z	✓																						
PC																							
	ACFT075 Linking Gasket	50	m		<table border="1"> <tr><td>MF</td><td></td></tr> <tr><td>SA</td><td></td></tr> <tr><td>KL</td><td></td></tr> <tr><td>HP</td><td></td></tr> <tr><td>SSC</td><td></td></tr> <tr><td>SMC</td><td></td></tr> <tr><td>W</td><td></td></tr> <tr><td>Z</td><td></td></tr> <tr><td>PC</td><td></td></tr> </table>	MF		SA		KL		HP		SSC		SMC		W		Z		PC	
MF																							
SA																							
KL																							
HP																							
SSC																							
SMC																							
W																							
Z																							
PC																							
	ACFT076 Linking Gasket	100	m		<table border="1"> <tr><td>MF</td><td></td></tr> <tr><td>SA</td><td></td></tr> <tr><td>KL</td><td></td></tr> <tr><td>HP</td><td></td></tr> <tr><td>SSC</td><td></td></tr> <tr><td>SMC</td><td></td></tr> <tr><td>W</td><td></td></tr> <tr><td>Z</td><td></td></tr> <tr><td>PC</td><td></td></tr> </table>	MF		SA		KL		HP		SSC		SMC		W		Z		PC	
MF																							
SA																							
KL																							
HP																							
SSC																							
SMC																							
W																							
Z																							
PC																							
	ACFT171 Clip for VG615 & VG616	200	Pack	VG610 VG615 VG616 VG618	<table border="1"> <tr><td>MF</td><td></td></tr> <tr><td>SA</td><td></td></tr> <tr><td>KL</td><td></td></tr> <tr><td>HP</td><td></td></tr> <tr><td>SSC</td><td></td></tr> <tr><td>SMC</td><td></td></tr> <tr><td>W</td><td></td></tr> <tr><td>Z</td><td></td></tr> <tr><td>PC</td><td></td></tr> </table>	MF		SA		KL		HP		SSC		SMC		W		Z		PC	
MF																							
SA																							
KL																							
HP																							
SSC																							
SMC																							
W																							
Z																							
PC																							
	ACGSL045 Drainage Cover Cap	100	Pack		<table border="1"> <tr><td>MF</td><td></td></tr> <tr><td>SA</td><td></td></tr> <tr><td>KL</td><td></td></tr> <tr><td>HP</td><td></td></tr> <tr><td>SSC</td><td></td></tr> <tr><td>SMC</td><td></td></tr> <tr><td>W</td><td>✓</td></tr> <tr><td>Z</td><td>✓</td></tr> <tr><td>PC</td><td></td></tr> </table>	MF		SA		KL		HP		SSC		SMC		W	✓	Z	✓	PC	
MF																							
SA																							
KL																							
HP																							
SSC																							
SMC																							
W	✓																						
Z	✓																						
PC																							
 <p>T-BARS ACVG65=2.5mm ACVG66=3.0mm ACVL150=4.0mm</p>  <p>Screw (Grub)</p>	<p>MF = Mill Finish SA = Silver Anodised KL = Basic Colour HP = Special Colour SSC = Smooth Satin Chrome SMC = Smokey Chrome PC = Polished Chrome</p>	<p>W = White Z = Black</p>																					

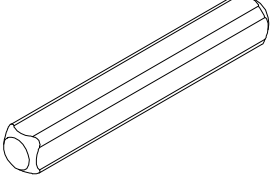
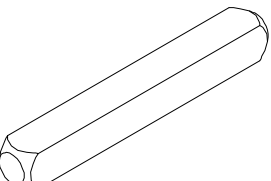
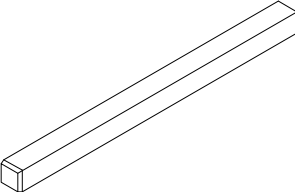
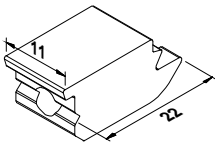
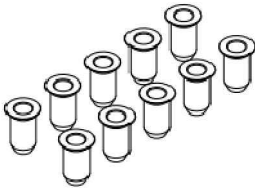


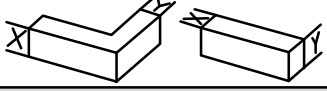
ACCESSORIES : PHOTOS & DRAWINGS

Image	Part Code	Pack	Unit	Application	Colour
	ACGSL057 Valve Cap (PVC)	10	Pack		MF
					SA
					KL
					HP
					SSC
					SMC
					W
					Z
					PC
	ACIM062 No.10 x 32 S/S Self Tapping CSK	100	Pack		MF
					SA
					KL
					HP
					SSC
					SMC
					W
					Z
					PC
	ACIM442 40/40 Standard Cylinder For keyed alike order ACIM442SL	1	Each		MF
					SA
					KL
					HP
					SSC
					SMC
					W
					Z
					PC
	ACIM445 40/40 Standard Cylinder with Thumb Turn	1	Each		MF
					SA
					KL
					HP
					SSC
					SMC
					W
					Z
					PC
	ACMX0040 Profile Half Cylinder 40mm For keyed alike order ACMX0040SL	1	Each		MF
					SA
					KL
					HP
					SSC
					SMC
					W
					Z
					PC
 <small>T-BARS ACVG66=2.5mm ACVG66=3.0mm ACVL150=4.0mm</small>	 <small>Screw (Grub)</small>	MF = Mill Finish SA = Silver Anodised KL = Basic Colour HP = Special Colour SSC = Smooth Satin Chrome SMC = Smokey Chrome PC = Polished Chrome	W = White Z = Black	 	

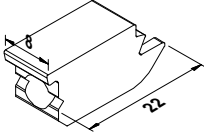
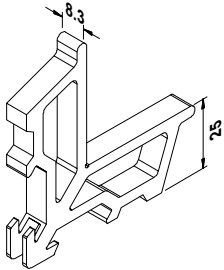

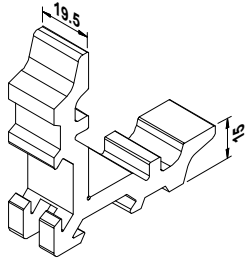
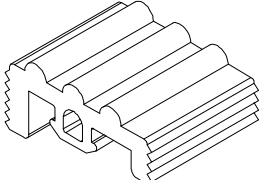


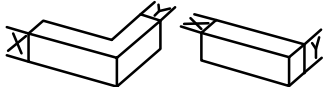
ACCESSORIES : PHOTOS & DRAWINGS

Image	Part Code	Pack	Unit	Application	Colour
	ACMX008 60 x 8 x 8mm Spindle	1	Each		MF SA KL HP SSC SMC W Z PC
	ACMX01615 30/30 Standard Cylinder For keyed alike order ACMX1615SL	1	Each	ACSZ400 ACSZ839	MF SA KL HP SSC SMC W Z PC
	ACMX01615T 30/30 Standard Cylinder with Thumb Turn	1	Each	ACSZ400 ACSZ839	MF SA KL HP SSC SMC W Z PC
	ACMX1070 70 x 10 x 10 Lift and Slide Half Spindle	1	each	Sobinco Gearing	MF SA KL HP SSC SMC W Z PC
	ACMX1075 75 x 10 x 10 Lift and Slide Half Spindle (Rounded)	1	each	Hautau Gearing	MF SA KL HP SSC SMC W Z PC
 <p>T-BARS ACVG65=2.5mm ACVG66=3.0mm ACVL150=4.0mm</p>  <p>Screw (Grub)</p>	<p>MF = Mill Finish SA = Silver Anodised KL = Basic Colour HP = Special Colour SSC = Smooth Satin Chrome SMC = Smokey Chrome PC = Polished Chrome</p>	<p>W = White Z = Black</p>			








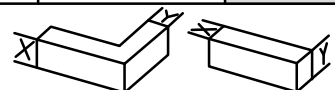
ACCESSORIES : PHOTOS & DRAWINGS

Image	Part Code	Pack	Unit	Application	Colour
	ACMX1130 130 x 10 x 10mm Lift & Slide Spindle (Rounded)	1	Each	Hautau Gearing	MF
					SA
					KL
					HP
					SSC
					SMC
					W
					Z
					PC
	ACMX1138 138 x 10 x 10mm Lift & Slide Spindle	1	Each	Sobinco Gearing	MF
					SA
					KL
					HP
					SSC
					SMC
					W
					Z
					PC
	ACMX209 120 x 8 x 8mm Spindle	1	Each		MF
					SA
					KL
					HP
					SSC
					SMC
					W
					Z
					PC
	ACMX853 Cleat Tensioning Block 11mm	48	Pack	VG510 VG511 VG512 VG513 VG518 VG610 VG612 VG618	MF
					SA
					KL
					HP
					SSC
					SMC
					W
					Z
					PC
	ACMX867 M5 Rivnuts	10	Pack		MF
					SA
					KL
					HP
					SSC
					SMC
					W
					Z
					PC
 <small>T-BARS ACVG66=2.5mm ACVG66=3.0mm ACVL150=4.0mm</small>	 <small>Screw (Grub)</small>	MF = Mill Finish SA = Silver Anodised KL = Basic Colour HP = Special Colour SSC = Smooth Satin Chrome SMC = Smokey Chrome PC = Polished Chrome	W = White Z = Black		

ACCESSORIES : PHOTOS & DRAWINGS

Image	Part Code	Pack	Unit	Application	Colour
	ACMX854 Cleat Tensioning Block 8mm	48	Pack	VG520 VG521N	MF SA KL HP SSC SMC W Z PC
	ACSG012 Mechanical Cleat	1	Each	VG520	MF SA KL HP SSC SMC W Z PC
	ACSG070 M5 x 65 CSK S/S Screw	1	Each		MF SA KL HP SSC SMC W Z PC
	ACSG611B Mechanical Corner Cleat	24	Pack	VG610 VG618	MF SA KL HP SSC SMC W Z PC
	ACSG631 Gasket	100	m	VG610 VG615 VG616	MF SA KL HP SSC SMC W Z PC
 <p>T-BARS ACVG65=2.5mm ACVG66=3.0mm ACVL150=4.0mm</p>  <p>Screw (Grub)</p>	MF = Mill Finish SA = Silver Anodised KL = Basic Colour HP = Special Colour SSC = Smooth Satin Chrome SMC = Smokey Chrome PC = Polished Chrome	W = White Z = Black			

ACCESSORIES : PHOTOS & DRAWINGS

Image	Part Code	Pack	Unit	Application	Colour
	ACSM016 Straight Sliding Lever Door Handle	1	Pair		MF
					SA
					KL
					HP
					SSC
					SMC
					W
					Z
					PC
	ACSM017 Lift and Slide Door Handle and Flush Pull	1	Each		MF
					SA
					KL
					HP
					SSC
					SMC
					W
					Z
					PC
	ACSM018 Lift and Slide Door Handle Back to Back	1	Pair		MF
					SA
					KL
					HP
					SSC
					SMC
					W
					Z
					PC
	ACSM019 Patio Door Handles	1	Pair		MF
					SA
					KL
					HP
					SSC
					SMC
					W
					Z
					PC
	ACSM020 600mm Off-Set T Bar Back to Back	1	Pair		MF
					SA
					KL
					HP
					SSC
					SMC
					W
					Z
					PC
 <p>T-BARS ACVG66=2.5mm ACVG66=3.0mm ACVL150=4.0mm</p>  <p>Screw (Grub)</p>	MF = Mill Finish SA = Silver Anodised KL = Basic Colour HP = Special Colour SSC = Smooth Satin Chrome SMC = Smokey Chrome PC = Polished Chrome	W = White Z = Black			

ACCESSORIES : PHOTOS & DRAWINGS

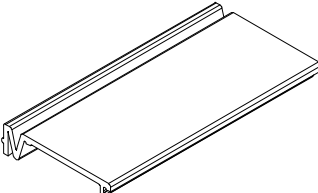

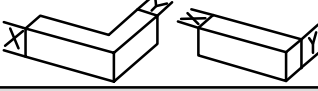
Image	Part Code	Pack	Unit	Application	Colour
	ACSM021 1200mm Off-Set T Bar Back to Back	1	Pair		MF SA KL HP SSC SMC W Z PC
	ACSM024 Dummy Patio Handle to match ACSM019	1	Pair		MF SA KL HP SSC SMC W Z PC
	ACSP057 Glass Support	100 1000	Pack Pack	VG610 VG618	MF SA KL HP SSC SMC W Z PC
	ACSR011 Wool Pile H = 12mm	100	m		MF SA KL HP SSC SMC W Z PC
					MF SA KL HP SSC SMC W Z PC
 <p>T-BARS ACVG66=2.5mm ACVG66=3.0mm ACVL150=4.0mm</p>  <p>Screw (Grub)</p>	<p>MF = Mill Finish SA = Silver Anodised KL = Basic Colour HP = Special Colour SSC = Smooth Satin Chrome SMC = Smokey Chrome PC = Polished Chrome</p>	<p>W = White Z = Black</p>			

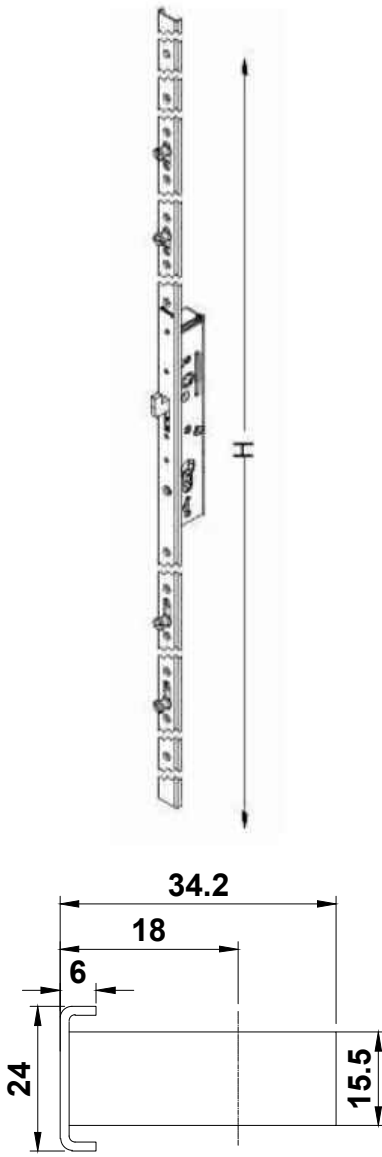



Image	Part Code	Pack	Unit	Application	Colour
	<p>ACSZ007 2170mm Multi-Point Lock Requires: 1 x ACSZ100 Ctr Keep 4 x ACSZ101 Keeps -----OR----- 1 x ACSZ103 F/Height Keep -----OR----- 1 x ACSZ105 F/H Keep + 600mm -----OR----- 1 x ACVG550</p> <p>ACSZ008 1970mm Multi-Point Lock Requires: 1 x ACSZ100 Ctr Keep 4 x ACSZ101 Keeps -----OR----- 1 x ACSZ107 F/Height Keep -----OR----- 1 x ACSZ109 + 600mm</p> <p>ACSZ009 2370mm Multi-Point Lock Requires: 1 x ACSZ100 Ctr Keep 4 x ACSZ101 Keeps -----OR----- 1 x ACSZ111 F/Height Keep -----OR----- 1 x ACSZ113 F/H Keep + 600mm</p>	1	Each	<p>VG520 ACSZ100 ACSZ101</p>	MF
	SA				
	KL				
					HP
					SSC
					SMC
					W
					Z
					PC
	<p>ACSZ010 280mm Single Point Lock Requires: 1 x ACSZ100 Ctr Keep</p>	1	Each	<p>VG520 ACSZ100</p>	MF
					SA
					KL
					HP
					SSC
					SMC
					W
					Z
					PC
	<p>MF = Mill Finish SA = Silver Anodised KL = Basic Colour HP = Special Colour SSC = Smooth Satin Chrome SMC = Smokey Chrome PC = Polished Chrome</p>	W = White Z = Black			

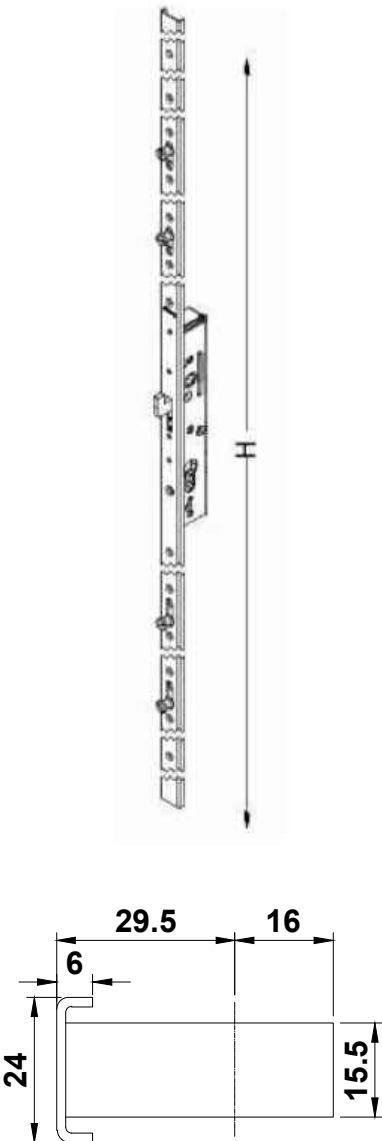
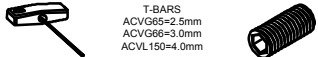
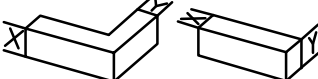
Image	Part Code	Pack	Unit	Application	Colour																		
	<p>ACSZ015</p> <p>2170mm Multi-Point Lock</p> <p>Requires:</p> <p>1 x ACSZ100 Ctr Keep</p> <p>4 x ACSZ101 Keeps</p>			<p>VG580</p> <p>ACSZ100</p> <p>ACSZ101</p>	<table border="1"> <tr><td>MF</td><td></td></tr> <tr><td>SA</td><td></td></tr> <tr><td>KL</td><td></td></tr> <tr><td>HP</td><td></td></tr> <tr><td>SSC</td><td></td></tr> <tr><td>SMC</td><td></td></tr> <tr><td>W</td><td></td></tr> <tr><td>Z</td><td></td></tr> <tr><td>PC</td><td></td></tr> </table>	MF		SA		KL		HP		SSC		SMC		W		Z		PC	
MF																							
SA																							
KL																							
HP																							
SSC																							
SMC																							
W																							
Z																							
PC																							
					<table border="1"> <tr><td>MF</td><td></td></tr> <tr><td>SA</td><td></td></tr> <tr><td>KL</td><td></td></tr> <tr><td>HP</td><td></td></tr> <tr><td>SSC</td><td></td></tr> <tr><td>SMC</td><td></td></tr> <tr><td>W</td><td></td></tr> <tr><td>Z</td><td></td></tr> <tr><td>PC</td><td></td></tr> </table>	MF		SA		KL		HP		SSC		SMC		W		Z		PC	
MF																							
SA																							
KL																							
HP																							
SSC																							
SMC																							
W																							
Z																							
PC																							
 <p>T-BARS ACVG66=2.5mm ACVG66=3.0mm ACVL150=4.0mm</p> <p>Screw (Grub)</p>	<p>MF = Mill Finish</p> <p>SA = Silver Anodised</p> <p>KL = Basic Colour</p> <p>HP = Special Colour</p> <p>SSC = Smooth Satin Chrome</p> <p>SMC = Smokey Chrome</p> <p>PC = Polished Chrome</p>	<p>W = White</p> <p>Z = Black</p>																					

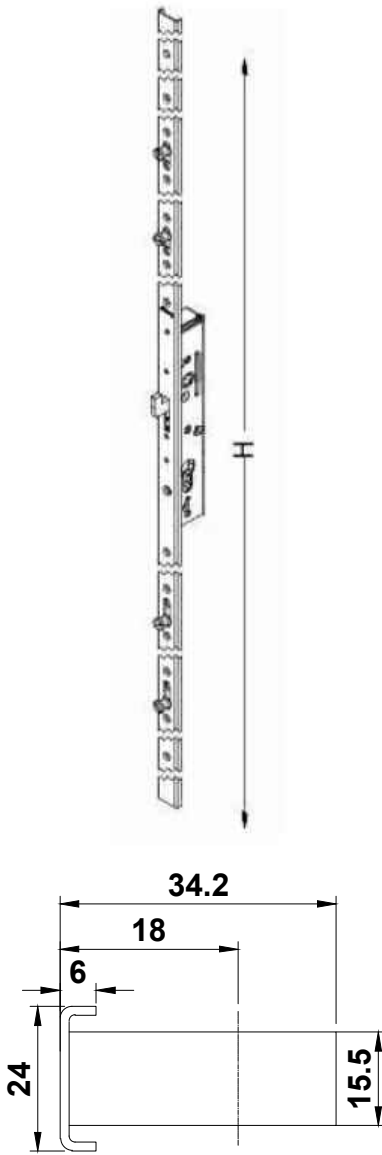

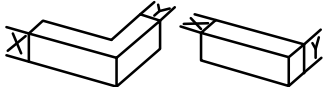
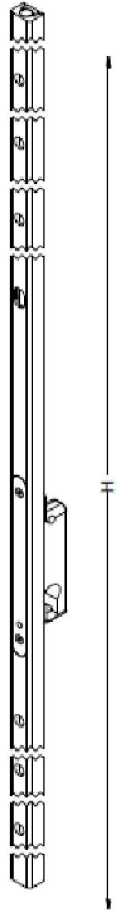
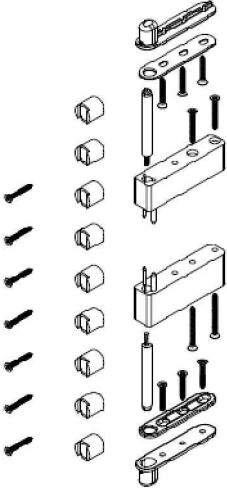

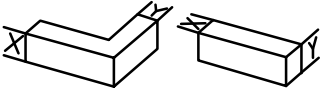
Image	Part Code	Pack	Unit	Application	Colour																		
	<p>PAS24 Multi-Point Locks</p> <p>ACSZ024 2170mm Multi-Point Lock Requires: 1 x ACSZ122 F/Height Keep -----OR----- 1 x ACSZ124 F/H Keep + 600mm</p> <p>ACSZ025 1970mm Multi-Point Lock Requires: 1 x ACSZ126 F/Height Keep -----OR----- 1 x ACSZ128 F/H Keep + 600mm</p> <p>ACSZ026 2370mm Multi-Point Lock Requires: 1 x ACSZ130 F/Height Keep -----OR----- 1 x ACSZ132 F/H Keep + 600mm</p>	1	Each	VG520	<table border="1"> <tr><td>MF</td><td></td></tr> <tr><td>SA</td><td></td></tr> <tr><td>KL</td><td></td></tr> <tr><td>HP</td><td></td></tr> <tr><td>SSC</td><td></td></tr> <tr><td>SMC</td><td></td></tr> <tr><td>W</td><td></td></tr> <tr><td>Z</td><td></td></tr> <tr><td>PC</td><td></td></tr> </table>	MF		SA		KL		HP		SSC		SMC		W		Z		PC	
MF																							
SA																							
KL																							
HP																							
SSC																							
SMC																							
W																							
Z																							
PC																							
					<table border="1"> <tr><td>MF</td><td></td></tr> <tr><td>SA</td><td></td></tr> <tr><td>KL</td><td></td></tr> <tr><td>HP</td><td></td></tr> <tr><td>SSC</td><td></td></tr> <tr><td>SMC</td><td></td></tr> <tr><td>W</td><td></td></tr> <tr><td>Z</td><td></td></tr> <tr><td>PC</td><td></td></tr> </table>	MF		SA		KL		HP		SSC		SMC		W		Z		PC	
MF																							
SA																							
KL																							
HP																							
SSC																							
SMC																							
W																							
Z																							
PC																							
 <p>T-BARS ACVG66=2.5mm ACVG66=3.0mm ACVL150=4.0mm</p> <p>Screw (Grub)</p>	<p>MF = Mill Finish SA = Silver Anodised KL = Basic Colour HP = Special Colour SSC = Smooth Satin Chrome SMC = Smokey Chrome PC = Polished Chrome</p> <p>W = White Z = Black</p>																						

Image	Part Code	Pack	Unit	Application	Colour																		
	BT Lock (Cylinder operated) Lock Sash height ACSZ040 ≤2366 mm. ACSZ041 ≤2700 mm. ACSZ042 ≤3100 mm.	1	Each	VG544 VG520	<table border="1"> <tr><td>MF</td><td></td></tr> <tr><td>SA</td><td></td></tr> <tr><td>KL</td><td></td></tr> <tr><td>HP</td><td></td></tr> <tr><td>SSC</td><td></td></tr> <tr><td>SMC</td><td></td></tr> <tr><td>W</td><td></td></tr> <tr><td>Z</td><td></td></tr> <tr><td>PC</td><td></td></tr> </table>	MF		SA		KL		HP		SSC		SMC		W		Z		PC	
	MF																						
	SA																						
	KL																						
HP																							
SSC																							
SMC																							
W																							
Z																							
PC																							
Only to lock into outerframe																							
	ACSZ046 Fixing kit and keeps for ACSZ040 to ACSZ042.	1	Pack	ACSZ040 ACSZ041 ACSZ042	<table border="1"> <tr><td>MF</td><td></td></tr> <tr><td>SA</td><td></td></tr> <tr><td>KL</td><td></td></tr> <tr><td>HP</td><td></td></tr> <tr><td>SSC</td><td></td></tr> <tr><td>SMC</td><td></td></tr> <tr><td>W</td><td></td></tr> <tr><td>Z</td><td></td></tr> <tr><td>PC</td><td></td></tr> </table>	MF		SA		KL		HP		SSC		SMC		W		Z		PC	
	MF																						
	SA																						
	KL																						
HP																							
SSC																							
SMC																							
W																							
Z																							
PC																							
 <p>T-BARS ACVG65=2.5mm ACVG66=3.0mm ACVL150=4.0mm</p> <p>Screw (Grub)</p>	MF = Mill Finish SA = Silver Anodised KL = Basic Colour HP = Special Colour SSC = Smooth Satin Chrome SMC = Smokey Chrome PC = Polished Chrome	W = White Z = Black																					

ACCESSORIES : PHOTOS & DRAWINGS






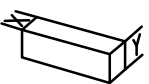
Image	Part Code	Pack	Unit	Application	Colour
	ACSZ100 Centre Keep	1 20	Each Pack	ACSZ007 ACSZ008 ACSZ009 ACSZ010	MF SA KL HP SSC SMC W Z PC
	ACSZ101 Mushroom Keep	1 20	Each Pack	ACSZ007 ACSZ008 ACSZ009	MF SA KL HP SSC SMC W Z PC
					MF SA KL HP SSC SMC W Z PC
					MF SA KL HP SSC SMC W Z PC
					MF SA KL HP SSC SMC W Z PC
 <p>T-BARS ACV665=2.5mm ACV666=3.0mm ACVL150=4.0mm</p>  <p>Screw (Grub)</p>	MF = Mill Finish SA = Silver Anodised KL = Basic Colour HP = Special Colour SSC = Smooth Satin Chrome SMC = Smokey Chrome PC = Polished Chrome	W = White Z = Black	 		

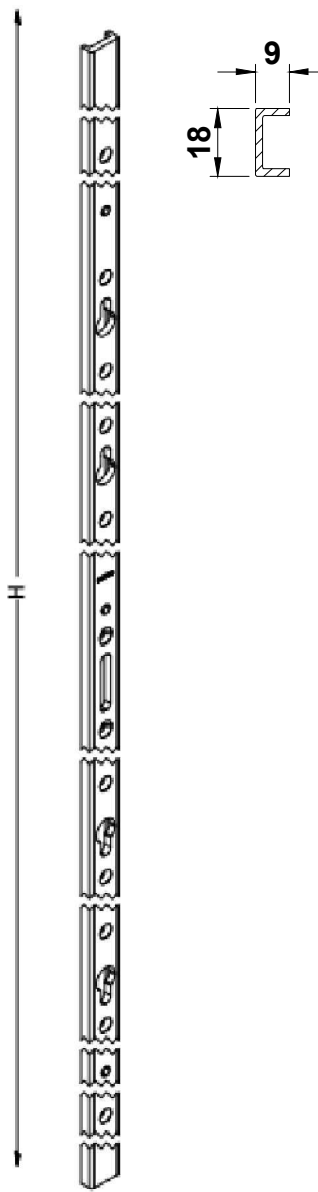
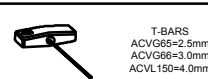
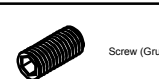
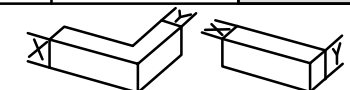


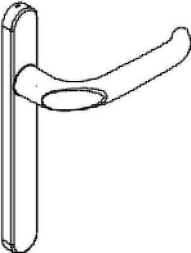
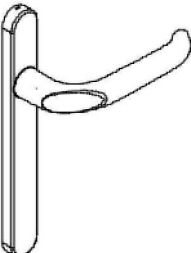
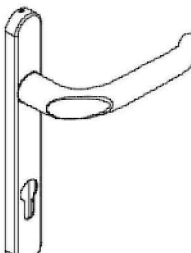

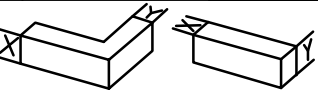
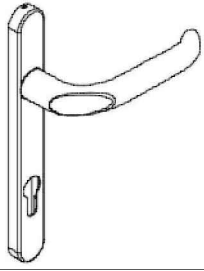
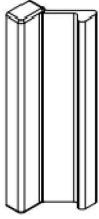
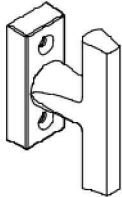
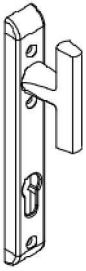
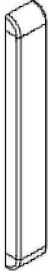



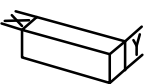
Image	Part Code	Pack	Unit	Application	Colour	
	ACSZ103 2170mm Full Height Keep for ACSZ007	1	Each	VG520 ACSZ100 ACSZ101	MF	
	ACSZ105 2770mm Full Height Keep for ACSZ007				SA	✓
					ACSZ107 1970mm Full Height Keep for ACSZ008	KL
	ACSZ109 2570mm Full Height Keep for ACSZ008					HP
					ACSZ111 2370mm Full Height Keep for ACSZ009	SSC
	ACSZ113 2970mm Full Height Keep for ACSZ009					SMC
						W
					Z	✓
	PC					
					MF	
					SA	
					KL	
					HP	
					SSC	
					SMC	
					W	
					Z	
					PC	
 	MF = Mill Finish SA = Silver Anodised KL = Basic Colour HP = Special Colour SSC = Smooth Satin Chrome SMC = Smokey Chrome PC = Polished Chrome	W = White Z = Black				

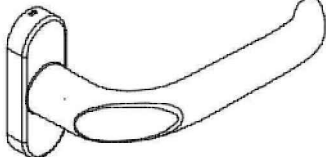
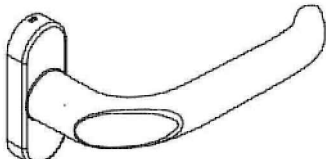


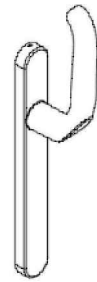



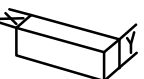
Image	Part Code	Pack	Unit	Application	Colour
	PAS24 Multi-Point Keeps ACSZ122 2170mm Full Height Keep for ACSZ024	1	Each	VG520	MF
	ACSZ124 2770mm Full Height Keep for ACSZ024 ACSZ126 1970mm Full Height Keep for ACSZ025 ACSZ128 2570mm Full Height Keep for ACSZ025 ACSZ130 2370mm Full Height Keep for ACSZ026 ACSZ132 2970mm Full Height Keep for ACSZ026				SA
					KL
					HP
					SSC
					SMC
					W
					Z
					PC
<p>T-BARS ACV665=2.5mm ACV666=3.0mm ACVL150=4.0mm</p> <p>Screw (Grub)</p>	MF = Mill Finish SA = Silver Anodised KL = Basic Colour HP = Special Colour SSC = Smooth Satin Chrome SMC = Smokey Chrome PC = Polished Chrome	W = White Z = Black			

Image	Part Code	Pack	Unit	Application	Colour
	ACSZ750 External Flush Finger Pull High Security Handle If installing a pair (ACSZ750 + ACSZ751), please order ACET133 machine screws in addition.	1	Each	ACSZ040 ACSZ041 ACSZ042	MF SA ✓ KL ✓ HP ✓ SSC SMC W ✓ Z ✓ PC
	ACSZ751 Internal Flush Finger Pull High Security Handle If installing a pair (ACSZ750 + ACSZ751), please order ACET133 machine screws in addition.	1	Each	ACSZ040 ACSZ041 ACSZ042	MF SA ✓ KL ✓ HP ✓ SSC SMC W ✓ Z ✓ PC
	ACSZ800 External Handle without Cylinder	1	Each	ACSZ007 ACSZ008 ACSZ009 ACSZ010	MF SA ✓ KL ✓ HP ✓ SSC SMC W ✓ Z ✓ PC
	ACSZ801 Internal Handle without Cylinder	1	Each	ACSZ007 ACSZ008 ACSZ009 ACSZ010	MF SA ✓ KL ✓ HP ✓ SSC SMC W ✓ Z ✓ PC
	ACSZ802 External Handle with Cylinder	1	Each	ACSZ007 ACSZ008 ACSZ009 ACSZ010	MF SA ✓ KL ✓ HP ✓ SSC SMC W ✓ Z ✓ PC
	MF = Mill Finish SA = Silver Anodised KL = Basic Colour HP = Special Colour SSC = Smooth Satin Chrome SMC = Smokey Chrome PC = Polished Chrome	W = White Z = Black			

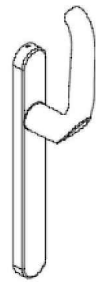
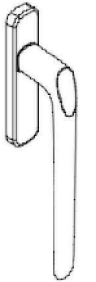
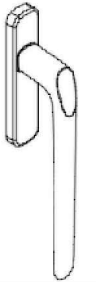




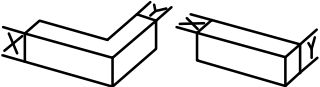
ACCESSORIES : PHOTOS & DRAWINGS

Image	Part Code	Pack	Unit	Application	Colour
	ACSZ803 Internal Handle with Cylinder	1	Each	ACSZ007 ACSZ008 ACSZ009 ACSZ010	MF
					SA
					KL
					HP
					SSC
					SMC
					W
					Z
					PC
					PC
	ACSZ823 External Pull Handle	1	Each		MF
					SA
					KL
					HP
					SSC
					SMC
					W
					Z
					PC
					PC
	ACSZ827 Internal 'T' Handle with Short Backplate To be used on Internal Sash only	1	Each	ACSZ007 ACSZ008 ACSZ009 ACSZ010	MF
					SA
					KL
					HP
					SSC
					SMC
					W
					Z
					PC
					PC
	ACSZ830 Internal 'T' Handle with Cylinder Cover To be used on Internal Sash only	1	Each	ACSZ007 ACSZ008 ACSZ009 ACSZ010	MF
					SA
					KL
					HP
					SSC
					SMC
					W
					Z
					PC
					PC
	ACSZ833 Long Backplate	1	Each	ACSZ800 ACSZ802 ACSZ804 ACSZ835	MF
					SA
					KL
					HP
					SSC
					SMC
					W
					Z
					PC
					PC
 <p>T-BARS ACV666=2.5mm ACV666=3.0mm ACVL150=4.0mm</p>  <p>Screw (Grub)</p>	MF = Mill Finish SA = Silver Anodised KL = Basic Colour HP = Special Colour SSC = Smooth Satin Chrome SMC = Smokey Chrome PC = Polished Chrome	W = White Z = Black	 		

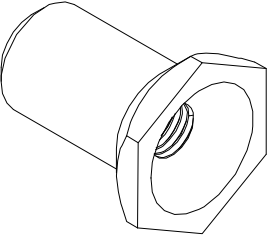
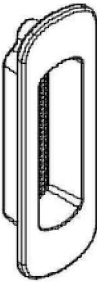
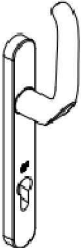

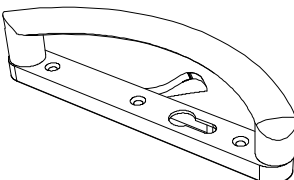

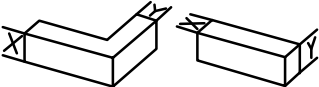
ACCESSORIES : PHOTOS & DRAWINGS

Image	Part Code	Pack	Unit	Application	Colour
	ACSZ836 Internal Door Handle with Short Backplate	1	Each	ACSZ007-9 ACSZ837 ACSZ838	MF
					SA
					KL
					HP
					SSC
					SMC
					W
					Z
					PC
					PC
	ACSZ837 External Door Handle with Short Backplate	1	Each	ACSZ007-9 ACSZ836 ACSZ838	MF
					SA
					KL
					HP
					SSC
					SMC
					W
					Z
					PC
					PC
	ACSZ839 Escutcheon	1	Each	ACSZ836 ACSZ837	MF
					SA
					KL
					HP
					SSC
					SMC
					W
					Z
					PC
					PC
	ACSZ841 External Finger Pull Must be used with internal handle.	1	Each	ACSZ801 ACSZ803 ACSZ830	MF
					SA
					KL
					HP
					SSC
					SMC
					W
					Z
					PC
					PC
	ACSZ850 External Fixed Handle for Secondary Door	1	Each	ACSZ851	MF
					SA
					KL
					HP
					SSC
					SMC
					W
					Z
					PC
					PC
 <small>T-BARS ACVG65=2.5mm ACVG66=3.0mm ACVL150=4.0mm</small>	 <small>Screw (Grub)</small>	MF = Mill Finish SA = Silver Anodised KL = Basic Colour HP = Special Colour SSC = Smooth Satin Chrome SMC = Smokey Chrome PC = Polished Chrome	W = White Z = Black	 	

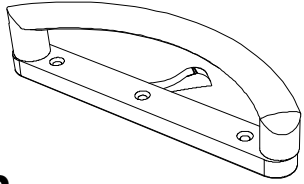
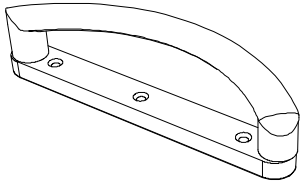
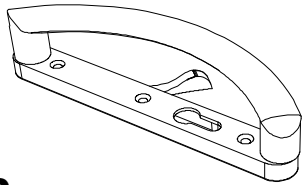
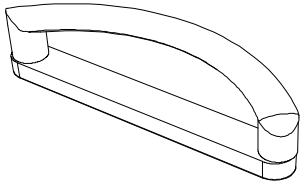
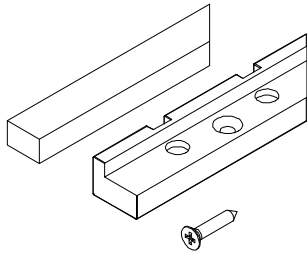


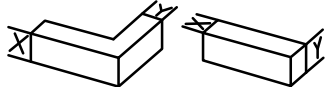
ACCESSORIES : PHOTOS & DRAWINGS

Image	Part Code	Pack	Unit	Application	Colour																		
	ACSZ851 Internal Fixed Handle for Secondary Door	1	Each	ACSZ850	<table border="1"> <tr><td>MF</td><td></td></tr> <tr><td>SA</td><td>✓</td></tr> <tr><td>KL</td><td>✓</td></tr> <tr><td>HP</td><td>✓</td></tr> <tr><td>SSC</td><td></td></tr> <tr><td>SMC</td><td></td></tr> <tr><td>W</td><td>✓</td></tr> <tr><td>Z</td><td>✓</td></tr> <tr><td>PC</td><td></td></tr> </table>	MF		SA	✓	KL	✓	HP	✓	SSC		SMC		W	✓	Z	✓	PC	
MF																							
SA	✓																						
KL	✓																						
HP	✓																						
SSC																							
SMC																							
W	✓																						
Z	✓																						
PC																							
	ACSZ860 External Lift & Slide Handle without Cylinder	1	Each	ACSZ861 ACVG277 ACVG278 ACVG279	<table border="1"> <tr><td>MF</td><td></td></tr> <tr><td>SA</td><td>✓</td></tr> <tr><td>KL</td><td>✓</td></tr> <tr><td>HP</td><td>✓</td></tr> <tr><td>SSC</td><td></td></tr> <tr><td>SMC</td><td></td></tr> <tr><td>W</td><td>✓</td></tr> <tr><td>Z</td><td>✓</td></tr> <tr><td>PC</td><td></td></tr> </table>	MF		SA	✓	KL	✓	HP	✓	SSC		SMC		W	✓	Z	✓	PC	
MF																							
SA	✓																						
KL	✓																						
HP	✓																						
SSC																							
SMC																							
W	✓																						
Z	✓																						
PC																							
	ACSZ861 Internal Lift & Slide Handle without Cylinder	1	Each	ACSZ860 ACSZ870 ACSZ871 ACVG277 ACVG278 ACVG279	<table border="1"> <tr><td>MF</td><td></td></tr> <tr><td>SA</td><td>✓</td></tr> <tr><td>KL</td><td>✓</td></tr> <tr><td>HP</td><td>✓</td></tr> <tr><td>SSC</td><td></td></tr> <tr><td>SMC</td><td></td></tr> <tr><td>W</td><td>✓</td></tr> <tr><td>Z</td><td>✓</td></tr> <tr><td>PC</td><td></td></tr> </table>	MF		SA	✓	KL	✓	HP	✓	SSC		SMC		W	✓	Z	✓	PC	
MF																							
SA	✓																						
KL	✓																						
HP	✓																						
SSC																							
SMC																							
W	✓																						
Z	✓																						
PC																							
	ACSZ862 External Lift & Slide Handle with Cylinder	1	Each	ACSZ863 ACVG277 ACVG278 ACVG279	<table border="1"> <tr><td>MF</td><td></td></tr> <tr><td>SA</td><td>✓</td></tr> <tr><td>KL</td><td>✓</td></tr> <tr><td>HP</td><td>✓</td></tr> <tr><td>SSC</td><td></td></tr> <tr><td>SMC</td><td></td></tr> <tr><td>W</td><td>✓</td></tr> <tr><td>Z</td><td>✓</td></tr> <tr><td>PC</td><td></td></tr> </table>	MF		SA	✓	KL	✓	HP	✓	SSC		SMC		W	✓	Z	✓	PC	
MF																							
SA	✓																						
KL	✓																						
HP	✓																						
SSC																							
SMC																							
W	✓																						
Z	✓																						
PC																							
	ACSZ863 Internal Lift & Slide Handle with Cylinder	1	Each	ACSZ862 ACSZ870 ACSZ871 ACVG277 ACVG278 ACVG279	<table border="1"> <tr><td>MF</td><td></td></tr> <tr><td>SA</td><td>✓</td></tr> <tr><td>KL</td><td>✓</td></tr> <tr><td>HP</td><td>✓</td></tr> <tr><td>SSC</td><td></td></tr> <tr><td>SMC</td><td></td></tr> <tr><td>W</td><td>✓</td></tr> <tr><td>Z</td><td>✓</td></tr> <tr><td>PC</td><td></td></tr> </table>	MF		SA	✓	KL	✓	HP	✓	SSC		SMC		W	✓	Z	✓	PC	
MF																							
SA	✓																						
KL	✓																						
HP	✓																						
SSC																							
SMC																							
W	✓																						
Z	✓																						
PC																							
 <p>T-BARS ACVG66=2.5mm ACVG66=3.0mm ACVL150=4.0mm</p>  <p>Screw (Grub)</p>	<p>MF = Mill Finish SA = Silver Anodised KL = Basic Colour HP = Special Colour SSC = Smooth Satin Chrome SMC = Smokey Chrome PC = Polished Chrome</p>	<p>W = White Z = Black</p>																					

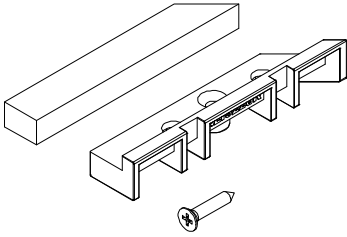

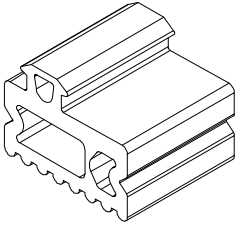




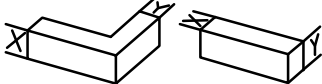
ACCESSORIES : PHOTOS & DRAWINGS

Image	Part Code	Pack	Unit	Application	Colour
	ACSZ865 M6 Spacing Bush	10	Pack	ACSZ860 ACSZ861 ACSZ862 ACSZ863	MF SA KL HP SSC SMC W Z PC
	ACSZ871 External Short Finger Pull Must Be Used With Internal Handle	1	Each	ACSZ861 ACSZ863 ACVG277 ACVG278 ACVG279	MF SA ✓ KL ✓ HP ✓ SSC SMC W ✓ Z ✓ PC
	ACSZ882 External Security Handle	1	Each	ACSZ024 ACSZ025 ACSZ026 ACET237	MF SA ✓ KL ✓ HP ✓ SSC SMC W ✓ Z ✓ PC
	ACSZ883 Internal Security Handle	1	Each	ACSZ024 ACSZ025 ACSZ026 ACET237	MF SA ✓ KL ✓ HP ✓ SSC SMC W ✓ Z ✓ PC
 R	ACSZ895L/R Internal Handle with Cylinder Cut-out Note: SA version is RAL9006	1	Each	ACSZ841 ACSZ898L/R	MF SA ✓ KL ✓ HP ✓ SSC SMC W ✓ Z ✓ PC
	MF = Mill Finish SA = Silver Anodised KL = Basic Colour HP = Special Colour SSC = Smooth Satin Chrome SMC = Smokey Chrome PC = Polished Chrome	W = White Z = Black			

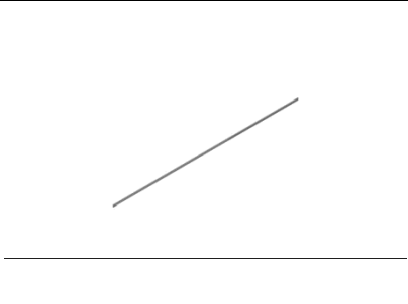
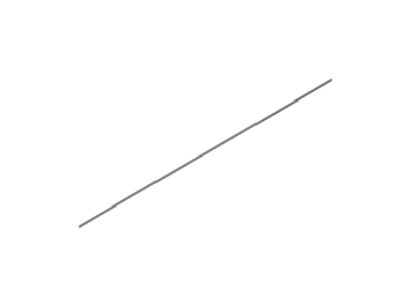
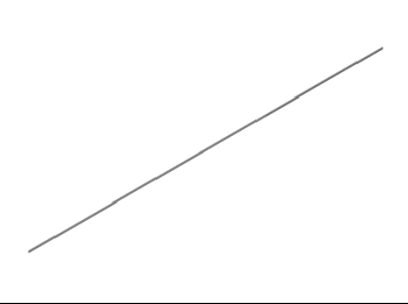
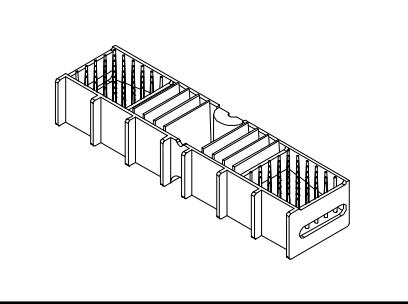
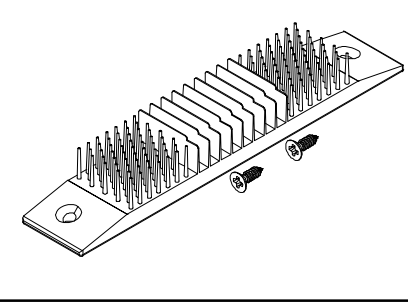


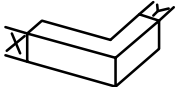
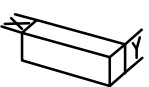
ACCESSORIES : PHOTOS & DRAWINGS

Image	Part Code	Pack	Unit	Application	Colour
 <p>R</p>	<p>ACSZ896L/R</p> <p>Internal Handle without Cylinder Cut-out</p> <p>Note: SA version is RAL9006</p>	1	Each	ACSZ841	MF
					SA
					KL
					HP
					SSC
					SMC
					W
					Z
					PC
 <p>R</p>	<p>ACSZ897L/R</p> <p>Dummy Internal Handle</p> <p>Note: SA version is RAL9006</p>	1	Each	ACSZ899L/R	MF
					SA
					KL
					HP
					SSC
					SMC
					W
					Z
					PC
 <p>R</p>	<p>ACSZ898L/R</p> <p>External Handle with Cylinder Cut-out</p> <p>Note: SA version is RAL9006</p>	1	Each	ACSZ895L/R	MF
					SA
					KL
					HP
					SSC
					SMC
					W
					Z
					PC
 <p>R</p>	<p>ACSZ899L/R</p> <p>Dummy External Handle</p> <p>Note: SA version is RAL9006</p>	1	Each	ACSZ897L/R	MF
					SA
					KL
					HP
					SSC
					SMC
					W
					Z
					PC
	<p>ACUG123L</p> <p>Sealing Piece</p>	1	Each	UG050 VG516	MF
					SA
					KL
					HP
					SSC
					SMC
					W
					Z
					PC
 <p>T-BARS ACVG665=2.5mm ACVG666=3.0mm ACVL150=4.0mm</p>  <p>Screw (Grub)</p>	<p>MF = Mill Finish</p> <p>SA = Silver Anodised</p> <p>KL = Basic Colour</p> <p>HP = Special Colour</p> <p>SSC = Smooth Satin Chrome</p> <p>SMC = Smokey Chrome</p> <p>PC = Polished Chrome</p>	<p>W = White</p> <p>Z = Black</p>			

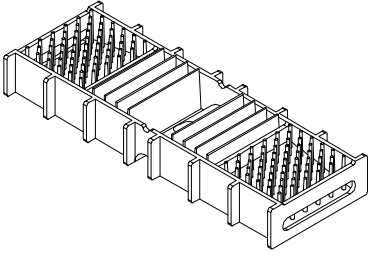
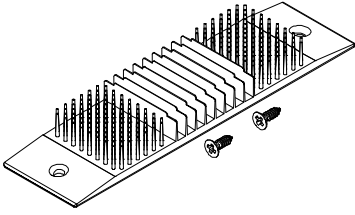
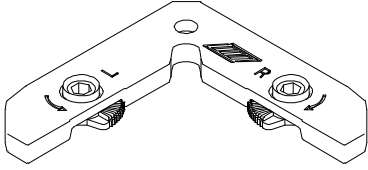

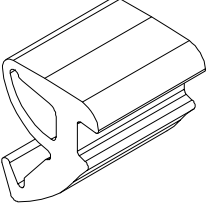


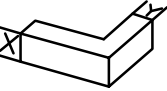
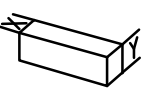
ACCESSORIES : PHOTOS & DRAWINGS

Image	Part Code	Pack	Unit	Application	Colour
	ACUG123R Sealing Piece	1	Each	UG050 VG516	MF SA KL HP SSC SMC W Z PC
	ACUG143 Shootbolt Keep	1	Each	VG581 VG580	MF SA KL HP SSC SMC W Z PC
	ACUG160 Sealing Piece	100	Pack	VG516	MF SA KL HP SSC SMC W Z PC
	ACUG221 Locking Point For Hautau Lift and Slide	1	Each	Hautau Gearing	MF SA KL HP SSC SMC W Z PC
	ACUG230 Connection Rod for Hautau Lift and Slide	1	Each	Hautau Gearing	MF SA KL HP SSC SMC W Z PC
 <p>T-BARS ACVG66=2.5mm ACVG66=3.0mm ACVL150=4.0mm</p>  <p>Screw (Grub)</p>	<p>MF = Mill Finish SA = Silver Anodised KL = Basic Colour HP = Special Colour SSC = Smooth Satin Chrome SMC = Smokey Chrome PC = Polished Chrome</p>	<p>W = White Z = Black</p>			

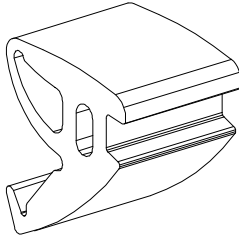
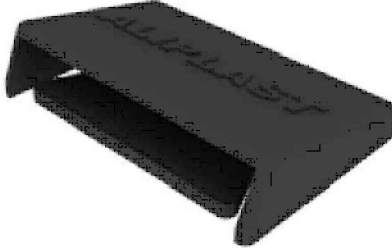
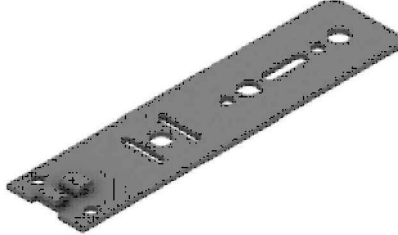
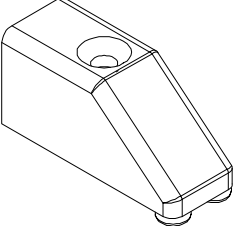
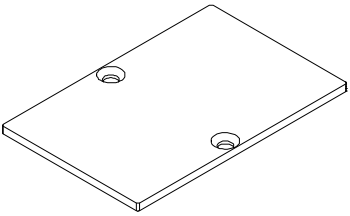


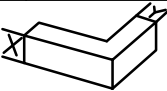
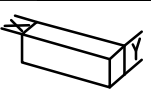
ACCESSORIES : PHOTOS & DRAWINGS

Image	Part Code	Pack	Unit	Application	Colour																		
	ACUG231 Connection Rod for Hautau Lift and Slide	1	Each	Hautau Gearing	<table border="1"> <tr><td>MF</td><td></td></tr> <tr><td>SA</td><td></td></tr> <tr><td>KL</td><td></td></tr> <tr><td>HP</td><td></td></tr> <tr><td>SSC</td><td></td></tr> <tr><td>SMC</td><td></td></tr> <tr><td>W</td><td></td></tr> <tr><td>Z</td><td></td></tr> <tr><td>PC</td><td></td></tr> </table>	MF		SA		KL		HP		SSC		SMC		W		Z		PC	
MF																							
SA																							
KL																							
HP																							
SSC																							
SMC																							
W																							
Z																							
PC																							
	ACUG232 Connection Rod for Hautau Lift and Slide	1	Each	Hautau Gearing	<table border="1"> <tr><td>MF</td><td></td></tr> <tr><td>SA</td><td></td></tr> <tr><td>KL</td><td></td></tr> <tr><td>HP</td><td></td></tr> <tr><td>SSC</td><td></td></tr> <tr><td>SMC</td><td></td></tr> <tr><td>W</td><td></td></tr> <tr><td>Z</td><td></td></tr> <tr><td>PC</td><td></td></tr> </table>	MF		SA		KL		HP		SSC		SMC		W		Z		PC	
MF																							
SA																							
KL																							
HP																							
SSC																							
SMC																							
W																							
Z																							
PC																							
	ACUG233 Connection Rod for Hautau Lift and Slide	1	Each	Hautau Gearing	<table border="1"> <tr><td>MF</td><td></td></tr> <tr><td>SA</td><td></td></tr> <tr><td>KL</td><td></td></tr> <tr><td>HP</td><td></td></tr> <tr><td>SSC</td><td></td></tr> <tr><td>SMC</td><td></td></tr> <tr><td>W</td><td></td></tr> <tr><td>Z</td><td></td></tr> <tr><td>PC</td><td></td></tr> </table>	MF		SA		KL		HP		SSC		SMC		W		Z		PC	
MF																							
SA																							
KL																							
HP																							
SSC																							
SMC																							
W																							
Z																							
PC																							
	ACUG631 Mono Rail	10	Pack	VG610 VG618	<table border="1"> <tr><td>MF</td><td></td></tr> <tr><td>SA</td><td></td></tr> <tr><td>KL</td><td></td></tr> <tr><td>HP</td><td></td></tr> <tr><td>SSC</td><td></td></tr> <tr><td>SMC</td><td></td></tr> <tr><td>W</td><td></td></tr> <tr><td>Z</td><td>✓</td></tr> <tr><td>PC</td><td></td></tr> </table>	MF		SA		KL		HP		SSC		SMC		W		Z	✓	PC	
MF																							
SA																							
KL																							
HP																							
SSC																							
SMC																							
W																							
Z	✓																						
PC																							
	ACUG632 Closer Mono-Rail	10	Pack	VG610 VG618	<table border="1"> <tr><td>MF</td><td></td></tr> <tr><td>SA</td><td></td></tr> <tr><td>KL</td><td></td></tr> <tr><td>HP</td><td></td></tr> <tr><td>SSC</td><td></td></tr> <tr><td>SMC</td><td></td></tr> <tr><td>W</td><td></td></tr> <tr><td>Z</td><td>✓</td></tr> <tr><td>PC</td><td></td></tr> </table>	MF		SA		KL		HP		SSC		SMC		W		Z	✓	PC	
MF																							
SA																							
KL																							
HP																							
SSC																							
SMC																							
W																							
Z	✓																						
PC																							
 <p>T-BARS ACVG66=2.5mm ACVG66=3.0mm ACVL150=4.0mm</p>  <p>Screw (Grub)</p>	<p>MF = Mill Finish SA = Silver Anodised KL = Basic Colour HP = Special Colour SSC = Smooth Satin Chrome SMC = Smokey Chrome PC = Polished Chrome</p>	<p>W = White Z = Black</p>	 																				

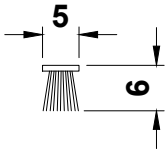
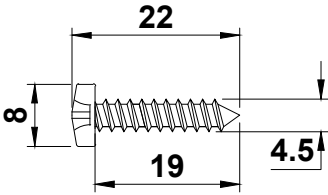


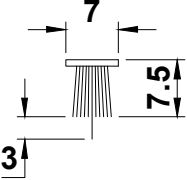

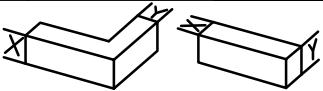
ACCESSORIES : PHOTOS & DRAWINGS

Image	Part Code	Pack	Unit	Application	Colour																		
	ACUG830 Closer	10	Pack	UG050	<table border="1"> <tr><td>MF</td><td></td></tr> <tr><td>SA</td><td></td></tr> <tr><td>KL</td><td></td></tr> <tr><td>HP</td><td></td></tr> <tr><td>SSC</td><td></td></tr> <tr><td>SMC</td><td></td></tr> <tr><td>W</td><td></td></tr> <tr><td>Z</td><td>✓</td></tr> <tr><td>PC</td><td></td></tr> </table>	MF		SA		KL		HP		SSC		SMC		W		Z	✓	PC	
MF																							
SA																							
KL																							
HP																							
SSC																							
SMC																							
W																							
Z	✓																						
PC																							
	ACUG831 Closer	10	Pack	VG521N	<table border="1"> <tr><td>MF</td><td></td></tr> <tr><td>SA</td><td></td></tr> <tr><td>KL</td><td></td></tr> <tr><td>HP</td><td></td></tr> <tr><td>SSC</td><td></td></tr> <tr><td>SMC</td><td></td></tr> <tr><td>W</td><td></td></tr> <tr><td>Z</td><td>✓</td></tr> <tr><td>PC</td><td></td></tr> </table>	MF		SA		KL		HP		SSC		SMC		W		Z	✓	PC	
MF																							
SA																							
KL																							
HP																							
SSC																							
SMC																							
W																							
Z	✓																						
PC																							
	ACUN020 Rebate Support	10	Pack	VG520 VG521N VG610	<table border="1"> <tr><td>MF</td><td></td></tr> <tr><td>SA</td><td></td></tr> <tr><td>KL</td><td></td></tr> <tr><td>HP</td><td></td></tr> <tr><td>SSC</td><td></td></tr> <tr><td>SMC</td><td></td></tr> <tr><td>W</td><td></td></tr> <tr><td>Z</td><td>✓</td></tr> <tr><td>PC</td><td></td></tr> </table>	MF		SA		KL		HP		SSC		SMC		W		Z	✓	PC	
MF																							
SA																							
KL																							
HP																							
SSC																							
SMC																							
W																							
Z	✓																						
PC																							
	ACUN021 Rebate Support	100	Pack		<table border="1"> <tr><td>MF</td><td></td></tr> <tr><td>SA</td><td></td></tr> <tr><td>KL</td><td></td></tr> <tr><td>HP</td><td></td></tr> <tr><td>SSC</td><td></td></tr> <tr><td>SMC</td><td></td></tr> <tr><td>W</td><td></td></tr> <tr><td>Z</td><td></td></tr> <tr><td>PC</td><td></td></tr> </table>	MF		SA		KL		HP		SSC		SMC		W		Z		PC	
MF																							
SA																							
KL																							
HP																							
SSC																							
SMC																							
W																							
Z																							
PC																							
	ACUN033 Inner Glazing Gasket 3 - 5mm	100	Pack		<table border="1"> <tr><td>MF</td><td></td></tr> <tr><td>SA</td><td></td></tr> <tr><td>KL</td><td></td></tr> <tr><td>HP</td><td></td></tr> <tr><td>SSC</td><td></td></tr> <tr><td>SMC</td><td></td></tr> <tr><td>W</td><td></td></tr> <tr><td>Z</td><td>✓</td></tr> <tr><td>PC</td><td></td></tr> </table>	MF		SA		KL		HP		SSC		SMC		W		Z	✓	PC	
MF																							
SA																							
KL																							
HP																							
SSC																							
SMC																							
W																							
Z	✓																						
PC																							
 <p>T-BARS ACVG65=2.5mm ACVG66=3.0mm ACVL150=4.0mm</p>  <p>Screw (Grub)</p>	<p>MF = Mill Finish SA = Silver Anodised KL = Basic Colour HP = Special Colour SSC = Smooth Satin Chrome SMC = Smokey Chrome PC = Polished Chrome</p>	<p>W = White Z = Black</p>	 																				

ACCESSORIES : PHOTOS & DRAWINGS

Image	Part Code	Pack	Unit	Application	Colour	
	ACUN036 Inner Glazing Gasket 6 - 8mm	100	Pack		MF	
					SA	
					KL	
					HP	
					SSC	
					SMC	
					W	
					Z	✓
					PC	
	ACUN045 Weep Hole Cover	100	Pack		MF	
					SA	
					KL	
					HP	
					SSC	
					SMC	
					W	
					Z	
					PC	
	ACUN23X Screw Fixing Lug ACUN230: B = 160MM ACUN232: B = 240MM ACUN233: B = 280MM	100	Pack		MF	
					SA	
					KL	
					HP	
					SSC	
					SMC	
					W	
					Z	
					PC	
	ACUN348 Door Stop/Buffer Note: SA version is RAL9006	1	Each	VG520	MF	✓
					SA	✓
					KL	✓
					HP	✓
					SSC	
					SMC	
					W	✓
					Z	✓
					PC	
	ACUN500 Cover Plate	1	Each	UN500 UN510	MF	✓
					SA	✓
					KL	✓
					HP	✓
					SSC	
					SMC	
					W	
					Z	
					PC	
 <small>T-BARS ACVG665=2.5mm ACVG666=3.0mm ACVL150=4.0mm</small>	 <small>Screw (Grub)</small>	MF = Mill Finish SA = Silver Anodised KL = Basic Colour HP = Special Colour SSC = Smooth Satin Chrome SMC = Smokey Chrome PC = Polished Chrome	W = White Z = Black	 		

ACCESSORIES : PHOTOS & DRAWINGS

Image	Part Code	Pack	Unit	Application	Colour
	ACUN3205 Black Woolpile	100	m	VG551R	MF SA KL HP SSC SMC W Z PC
	ACUN3502 No.8 x 19mm Pan Head Self Tapper	100	Pack		MF SA KL HP SSC SMC W Z PC
	ACUN3610 Single Component Adhesive	1	Each	VG534 VG535 VG536 VG539	MF SA KL HP SSC SMC W Z PC
	ACUN3612 Surface Activator (1L)	1	Each	VG534 VG535 VG536 VG539	MF SA KL HP SSC SMC W Z PC
	ACVG22 Grey Woolpile with Fin Order ACGV22BL for black	100	m	VG511 VG513	MF SA KL HP SSC SMC W Z PC
	<p>T-BARS ACVG65=2.5mm ACVG66=3.0mm ACVL150=4.0mm</p> <p>Screw (Grub)</p> <p>MF = Mill Finish SA = Silver Anodised KL = Basic Colour HP = Special Colour SSC = Smooth Satin Chrome SMC = Smokey Chrome PC = Polished Chrome</p>	<p>W = White Z = Black</p>			

ACCESSORIES : PHOTOS & DRAWINGS

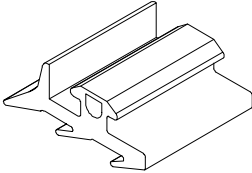
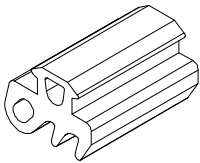
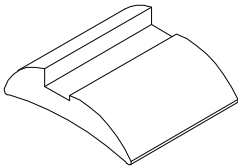
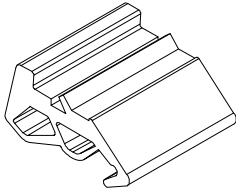
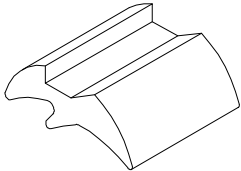



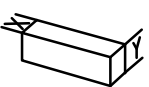
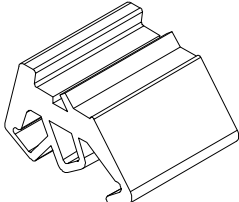
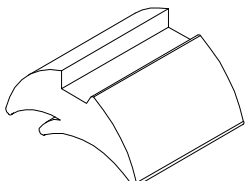
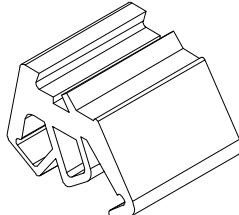
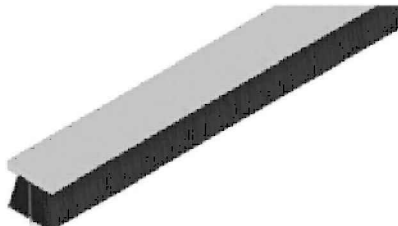
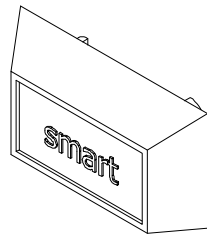

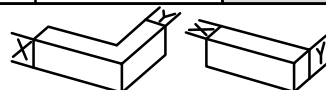
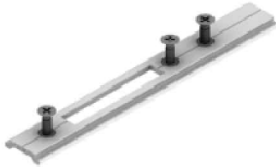
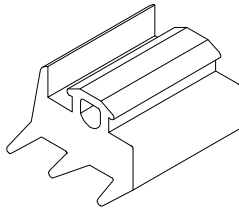
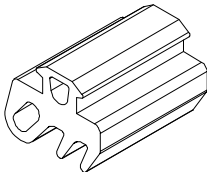




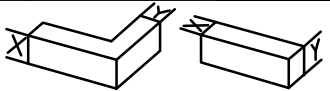
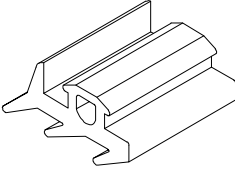
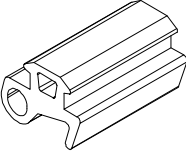
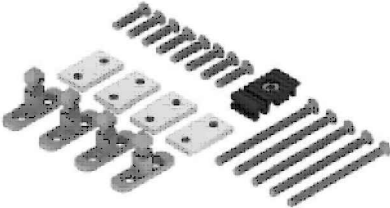
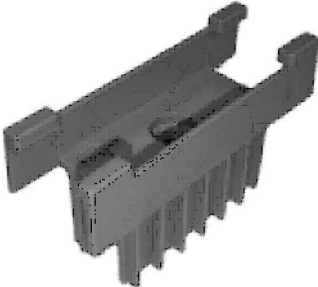



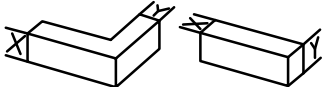
Image	Part Code	Pack	Unit	Application	Colour
	ACVG31	200	m	VG520	MF
	3mm Outer Glazing Gasket	2400	m	VG521N	SA
	Note: Order ACGV31S for silicone coating.	200	m		KL
					HP
					SSC
					SMC
					W
					Z <input checked="" type="checkbox"/>
					PC
	ACVG31N	200	m	VG520	MF
	3mm Outer Glazing Gasket	3600	m	VG521N	SA
		7200	m	...	KL
					HP
					SSC
					SMC
					W
					Z <input checked="" type="checkbox"/>
					PC
	ACVG32	100	m	VG520	MF
	3mm Inner Glazing Gasket	1800	m	VG521N	SA
		3600	m	...	KL
					HP
					SSC
					SMC
					W
					Z <input checked="" type="checkbox"/>
					PC
	ACVG32N	100	m	VG520	MF
	3mm Inner Glazing Gasket	2400	m	VG521N	SA
					KL
					HP
					SSC
					SMC
					W
					Z <input checked="" type="checkbox"/>
					PC
	ACVG33	100	m	VG520	MF
	4mm Inner Glazing Gasket	1800	m	VG521N	SA
		3600	m	...	KL
					HP
					SSC
					SMC
					W
					Z <input checked="" type="checkbox"/>
					PC
 <p>T-BARS ACVG66=2.5mm ACVG66=3.0mm ACVL150=4.0mm</p>  <p>Screw (Grub)</p>	MF = Mill Finish SA = Silver Anodised KL = Basic Colour HP = Special Colour SSC = Smooth Satin Chrome SMC = Smokey Chrome PC = Polished Chrome	W = White Z = Black	 		

Image	Part Code	Pack	Unit	Application	Colour
	ACVG33N	100	m	VG520	MF
	4mm Inner Glazing Gasket	3000	m	VG521N	SA
	ACVG34	100	m	VG520	KL
	5mm Inner Glazing Gasket	1800	m	VG521N	HP
	ACVG34N	100	m	VG520	SSC
	5mm Inner Glazing Gasket	1800	m	VG521N	SMC
	ACVG42	100	m		W
	Woolpile				Z
	ACVG45N	100	Pack		PC
	Weep Hole Cover	2500	Pack		
 <small>T-BARS ACVG65=2.5mm ACVG66=3.0mm ACVL150=4.0mm</small>	MF = Mill Finish SA = Silver Anodised KL = Basic Colour HP = Special Colour SSC = Smooth Satin Chrome SMC = Smokey Chrome PC = Polished Chrome	W = White Z = Black			

ACCESSORIES : PHOTOS & DRAWINGS

Image	Part Code	Pack	Unit	Application	Colour
	ACVG81 Fixation Plates For Lock	1	Each	Keeps VG540 VG541 VG542	MF SA KL HP SSC SMC W Z PC
	ACVG131 4mm External Glazing Gasket	100	m	VG520 VG521N	MF SA KL HP SSC SMC W Z ✓ PC
	ACVG131N 4mm External Glazing Gasket	100 5400	m m	VG520 VG521N	MF SA KL HP SSC SMC W Z ✓ PC
	ACVG134 Set Screws For Handle 4 per Pack	1	Pack	VG520	MF SA KL HP SSC SMC W Z PC
	ACVG140 Buffer	1	Pack	ACVG277 ACVG278 ACVG279	MF SA KL HP SSC SMC W Z PC
 <p>T-BARS ACVG65=2.5mm ACVG66=3.0mm ACVL150=4.0mm</p>  <p>Screw (Grub)</p>	<p>MF = Mill Finish SA = Silver Anodised KL = Basic Colour HP = Special Colour SSC = Smooth Satin Chrome SMC = Smokey Chrome PC = Polished Chrome</p>	<p>W = White Z = Black</p>			

ACCESSORIES : PHOTOS & DRAWINGS

Image	Part Code	Pack	Unit	Application	Colour	
	ACVG231 2mm Standard External Gasket	200	m	VG520 VG521N ...	MF	
					SA	
					KL	
					HP	
					SSC	
					SMC	
					W	
					Z	✓
					PC	
	ACVG231N 2mm External Glazing Gasket	200	m	VG520	MF	
					SA	
					KL	
					HP	
					SSC	
		3600	m	VG521N	SMC	
					W	
					Z	✓
					PC	
	ACVG240 Basic Set Lift & Sliding Door 4 Door	1	Pack	VG542	MF	
					SA	
					KL	
					HP	
					SSC	
					SMC	
					W	
					Z	
					PC	
	ACVG268 Connecting Rod Guide Bracket	1	Each	ACVG269 ACVG270 ACVG271 ACVG272 ACVG273	MF	
					SA	
					KL	
					HP	
					SSC	
					SMC	
					W	
					Z	
					PC	
	ACVG269 Connecting Rod 702mm<W<1278mm	1	Each	ACVG280N	MF	
					SA	
					KL	
					HP	
					SSC	
					SMC	
					W	
					Z	
					PC	
 <small>T-BARS ACVG685=2.5mm ACVG666=3.0mm ACVL150=4.0mm</small>	 <small>Screw (Grub)</small>	MF = Mill Finish SA = Silver Anodised KL = Basic Colour HP = Special Colour SSC = Smooth Satin Chrome SMC = Smokey Chrome PC = Polished Chrome	W = White Z = Black			

ACCESSORIES : PHOTOS & DRAWINGS





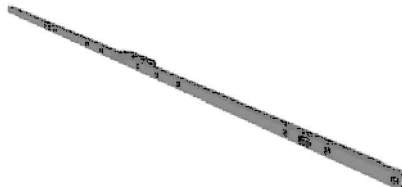


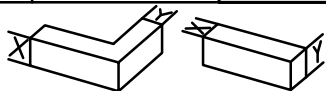
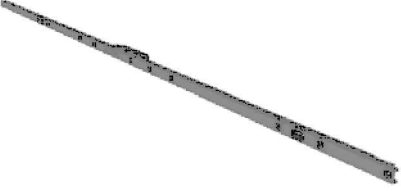
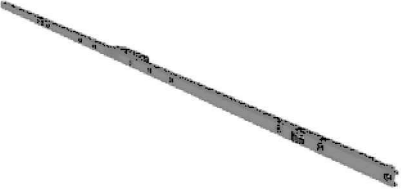
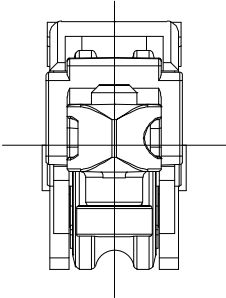
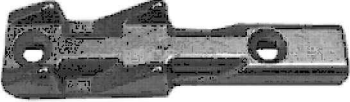
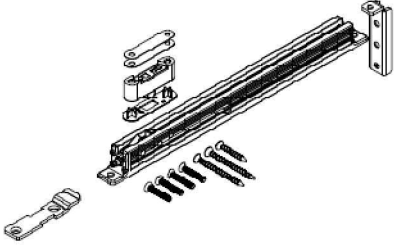

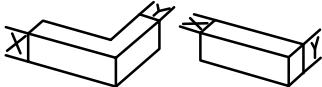
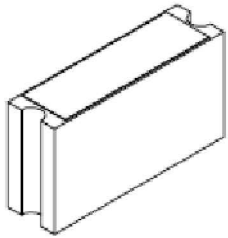
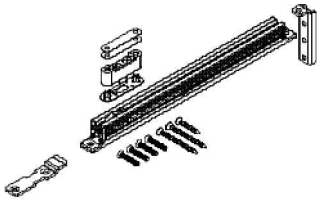


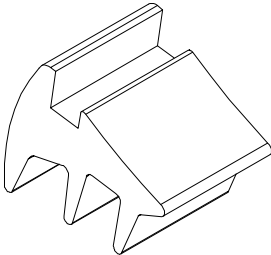


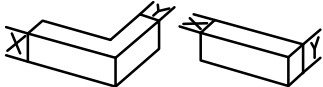
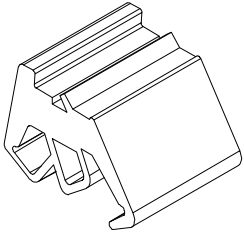
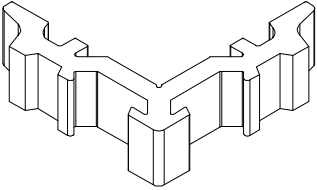
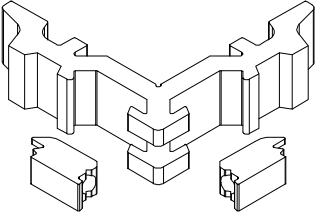
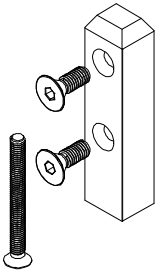
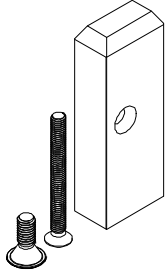


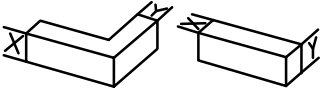
Image	Part Code	Pack	Unit	Application	Colour
	ACVG270 Connecting Rod 1206mm<W<1782mm	1	Each	ACVG280N	MF SA KL HP SSC SMC W Z PC
	ACVG271 Connecting Rod 1710mm<W<2286mm	1	Each	ACVG280N	MF SA KL HP SSC SMC W Z PC
	ACVG272 Connecting Rod 2214mm<W<2790mm	1	Each	ACVG280N	MF SA KL HP SSC SMC W Z PC
	ACVG273 Connecting Rod 2718mm<W<3294mm	1	Each	ACVG280N	MF SA KL HP SSC SMC W Z PC
	ACVG277 Lock Lift & Sliding Door 1718mm<H<2218mm	1	Each	ACVG280N	MF SA KL HP SSC SMC W Z PC
 <p>T-BARS ACVG66=2.5mm ACVG66=3.0mm ACVL150=4.0mm</p>  <p>Screw (Grub)</p>	<p>MF = Mill Finish SA = Silver Anodised KL = Basic Colour HP = Special Colour SSC = Smooth Satin Chrome SMC = Smokey Chrome PC = Polished Chrome</p>	<p>W = White Z = Black</p>			

Image	Part Code	Pack	Unit	Application	Colour
	ACVG278 Lock Lift & Sliding Door 2118mm<H<2618mm	1	Each	ACVG280N	MF SA KL HP SSC SMC W Z PC
	ACVG279 Lock Lift & Sliding Door H<2418mm	1	Each	ACVG280N	MF SA KL HP SSC SMC W Z PC
	ACVG280N Basic Set Lift & Sliding Door <200KG	1	Each	VG521N	MF SA KL HP SSC SMC W Z PC
	ACVG281 Double Door Locking Point (Bottom) May also be used for night ventilation.	1	Each	VG521N	MF SA KL HP SSC SMC W Z PC
	ACVG290 Soft Close Mechanism for Sash Weights ≤ 200KG	1	Each		MF SA KL HP SSC SMC W Z PC
	<p>T-BARS ACVG65=2.5mm ACVG66=3.0mm ACVL150=4.0mm</p> <p>Screw (Grub)</p>				
	<p>MF = Mill Finish SA = Silver Anodised KL = Basic Colour HP = Special Colour SSC = Smooth Satin Chrome SMC = Smokey Chrome PC = Polished Chrome</p>				
					<p>W = White Z = Black</p> 

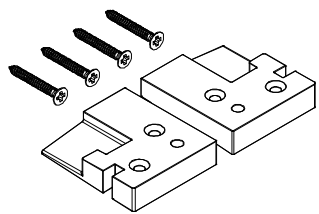
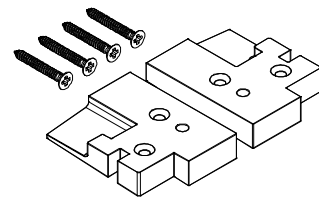
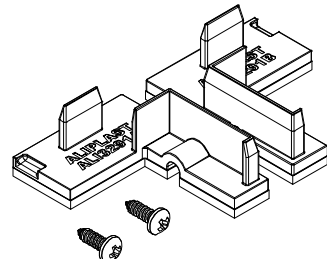
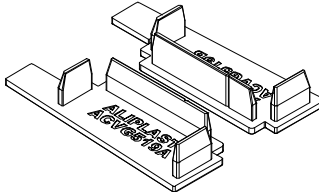
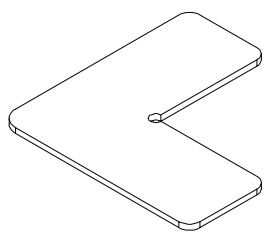


ACCESSORIES : PHOTOS & DRAWINGS

Image	Part Code	Pack	Unit	Application	Colour			
	ACVG291 Fixing Block for Soft Close Mechanism	1	Each	ACVG290 ACVG292	MF			
					SA			
					KL			
					HP			
					SSC			
					SMC			
					W			
					Z			
					PC			
	ACVG292 Soft Close Mechanism for Sash Weights ≤ 300KG	1	Each		MF			
					SA			
					KL			
					HP			
					SSC			
					SMC			
					W			
					Z			
					PC			
	ACVG300 Support Gasket	25	m	VG510	MF			
					SA			
					KL			
					HP			
					SSC			
					SMC			
					W			
					Z			
					PC			
	ACVG318 Support Gasket	25	M	VG518	MF			
					SA			
					KL			
					HP			
					SSC			
					SMC			
					W			
					Z	✓		
					PC			
	ACVG340 Internal Glazing Gasket 6mm	200	m	VG520 VG521N	MF			
					SA			
					KL			
					HP			
				1800	m		SSC	
							SMC	
							W	
							Z	✓
							PC	
 <p>T-BARS ACVG66=2.5mm ACVG66=3.0mm ACVL150=4.0mm</p>  <p>Screw (Grub)</p>	MF = Mill Finish SA = Silver Anodised KL = Basic Colour HP = Special Colour SSC = Smooth Satin Chrome SMC = Smokey Chrome PC = Polished Chrome	W = White Z = Black						

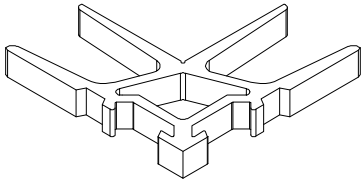
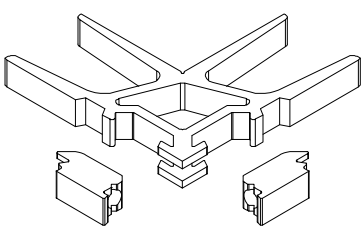
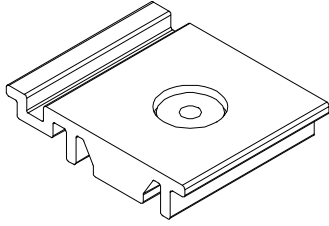
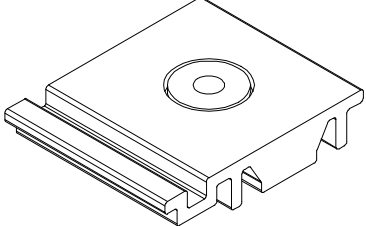
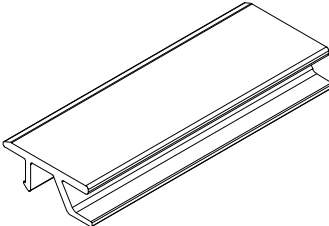

ACCESSORIES : PHOTOS & DRAWINGS

Image	Part Code	Pack	Unit	Application	Colour					
	ACVG340N	100	m	VG520 VG521N	MF					
	Internal Glazing Gasket 6mm	3600	m		SA					
					KL					
					HP					
					SSC					
					SMC					
					W					
					Z					
					PC					
					MF					
					SA					
					KL					
	ACVG509	24	Pack	VG510 VG511N	HP					
	Crimp Corner Cleat				SSC					
					SMC					
					W					
					Z					
					PC					
					MF					
					SA					
					KL					
						ACVG510	24	Pack	VG510 VG511N VG512 VG513	HP
						Mechanical Corner Cleat				SSC
										SMC
W										
Z										
PC										
MF										
SA										
KL										
	ACVG515	4	Pack	VG510 VG516						HP
	T-Bracket									SSC
										SMC
					W					
					Z					
					PC					
					MF					
					SA					
					KL					
						ACVG515N	4	Pack	VG516 VG518	HP
						T-Bracket				SSC
										SMC
W										
Z										
PC										
MF										
SA										
KL										
 <p>T-BARS ACVG65=2.5mm ACVG66=3.0mm ACVL150=4.0mm</p>  <p>Screw (Grub)</p>	MF = Mill Finish	W = White								
	SA = Silver Anodised	Z = Black								
	KL = Basic Colour									
	HP = Special Colour									
	SSC = Smooth Satin Chrome									
	SMC = Smokey Chrome									
	PC = Polished Chrome									

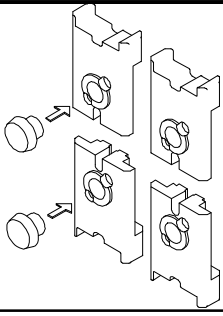
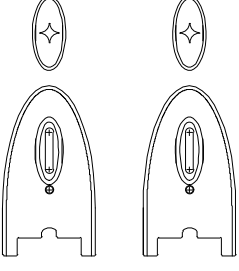

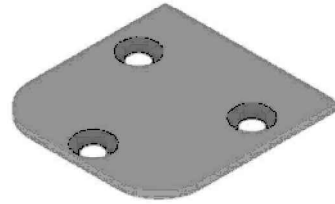
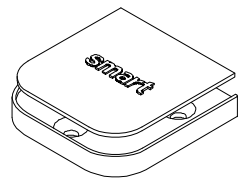

ACCESSORIES : PHOTOS & DRAWINGS

Image	Part Code	Pack	Unit	Application	Colour	
	ACVG516 Supporting Piece	1	Pack	VG510 VG516	MF	
					SA	
					KL	
					HP	
					SSC	
					SMC	
					W	
					Z	
					PC	
						ACVG516N Supporting Piece
SA						
KL						
HP						
SSC						
SMC						
W						
Z						
PC						
	ACVG518 End Part	1	Pack	VG530 VG516		
					SA	
					KL	
					HP	
					SSC	
					SMC	
					W	
					Z	
					PC	
						ACVG519 End Pieces Floor Profile
SA						
KL						
HP						
SSC						
SMC						
W						
Z	✓					
PC						
	ACVG520 Stainless Steel Chevron	100	Pack	VG510 VG511N VG512 VG513 VG520	MF	
					SA	✓
					KL	
					HP	
					SSC	
					SMC	
					W	
					Z	
					PC	
					 <p>T-BARS ACVG66=2.5mm ACVG66=3.0mm ACVL150=4.0mm</p>  <p>Screw (Grub)</p>	MF = Mill Finish SA = Silver Anodised KL = Basic Colour HP = Special Colour SSC = Smooth Satin Chrome SMC = Smokey Chrome PC = Polished Chrome

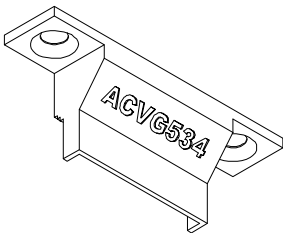
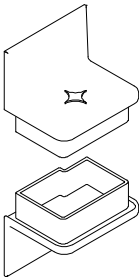
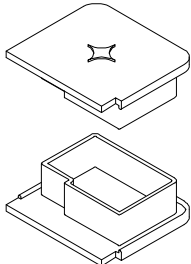
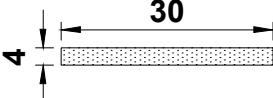
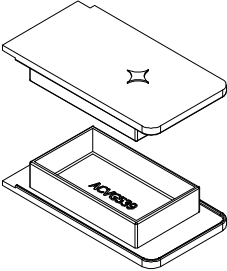


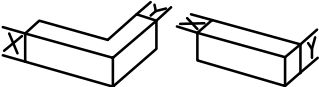
ACCESSORIES : PHOTOS & DRAWINGS

Image	Part Code	Pack	Unit	Application	Colour
	ACVG521N Crimp Corner Cleat	24	Pack	VG521N	MF
					SA
					KL
					HP
					SSC
					SMC
					W
					Z
					PC
					
SA					
KL					
HP					
SSC					
SMC					
W					
Z					
PC					
	ACVG523 M4 Fixing plate.	50	Pack	VG520	
					SA
					KL
					HP
					SSC
					SMC
					W
					Z
					PC
					
SA					
KL					
HP					
SSC					
SMC					
W					
Z					
PC					
	ACVG528 Sash Guide	50	Pack	VG520 VG521N	
					SA
					KL
					HP
					SSC
					SMC
					W
					Z
					PC
					 <small>T-BARS ACVG685=2.5mm ACVG666=3.0mm ACVL150=4.0mm</small>

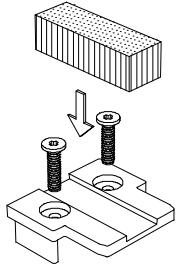
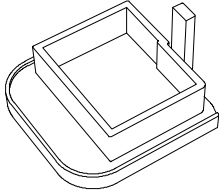
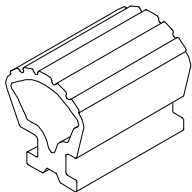
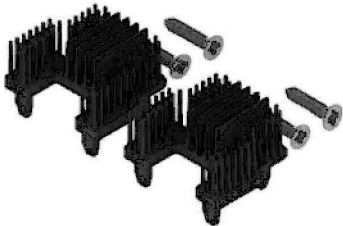
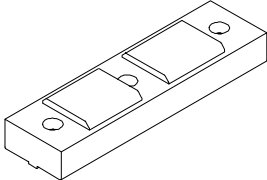


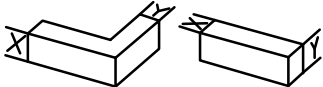
ACCESSORIES : PHOTOS & DRAWINGS

Image	Part Code	Pack	Unit	Application	Colour	
	ACVG529 Sash Guide/Anti-Lift Block/Buffer	4	Pack	VG520	MF	
					SA	
					KL	
					HP	
					SSC	
					SMC	
					W	
					Z	✓
					PC	
						ACVG530 Interlock Cover Cap
SA						
KL						
HP						
SSC						
SMC						
W	✓					
Z	✓					
PC						
	ACVG531 Lift & Slide Interlock Cover Cap Black only	2	Pack	VG530		
					SA	
					KL	
					HP	
					SSC	
					SMC	
					W	
					Z	✓
					PC	
						ACVG532 Cover Plate
SA	✓					
KL	✓					
HP	✓					
SSC						
SMC						
W	✓					
Z	✓					
PC						
	ACVG533 VG533 End Cap with Screws	2	Pack	VG532 VG533		
					SA	
					KL	
					HP	
					SSC	
					SMC	
					W	✓
					Z	✓
					PC	
					 <p>T-BARS ACVG66=2.5mm ACVG66=3.0mm ACVL150=4.0mm</p> <p>Screw (Grub)</p>	MF = Mill Finish SA = Silver Anodised KL = Basic Colour HP = Special Colour SSC = Smooth Satin Chrome SMC = Smokey Chrome PC = Polished Chrome

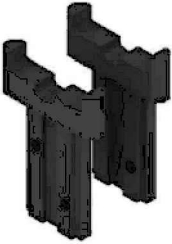
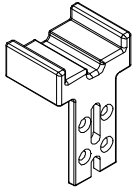
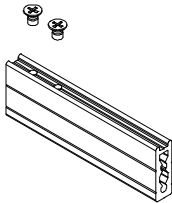
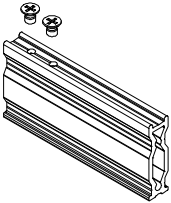
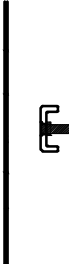


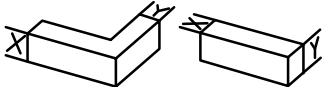
ACCESSORIES : PHOTOS & DRAWINGS

Image	Part Code	Pack	Unit	Application	Colour
	ACVG534 Sash Drainage Spout Black Only	10	pack	VG520 VG521N	MF
					SA
					KL
					HP
					SSC
					SMC
					W
					Z <input checked="" type="checkbox"/>
PC					
	ACVG535 End Cap with Upstand	1	Pair	VG534 VG536	MF
					SA
					KL
					HP
					SSC
					SMC
					W <input checked="" type="checkbox"/>
					Z <input checked="" type="checkbox"/>
PC					
	ACVG536 VG536 Slim Interlock End Cap	1	Pair	VG534 VG536	MF
					SA
					KL
					HP
					SSC
					SMC
					W <input checked="" type="checkbox"/>
					Z <input checked="" type="checkbox"/>
PC					
	ACVG537 30 x 4mm Adhesive Foam Tape Store at room temperature away from direct sun light	20M	each	VG534 VG535 VG536 VG539	MF
					SA
					KL
					HP
					SSC
					SMC
					W
					Z
PC					
	ACVG539 VG539 End Cap	1	Pair	VG539	MF
					SA
					KL
					HP
					SSC
					SMC
					W <input checked="" type="checkbox"/>
					Z <input checked="" type="checkbox"/>
PC					
 <small>T-BARS ACVG65=2.5mm ACVG66=3.0mm ACVL150=4.0mm</small>	MF = Mill Finish SA = Silver Anodised KL = Basic Colour HP = Special Colour SSC = Smooth Satin Chrome SMC = Smokey Chrome PC = Polished Chrome	W = White Z = Black	 <small>Screw (Grub)</small>		

ACCESSORIES : PHOTOS & DRAWINGS

Image	Part Code	Pack	Unit	Application	Colour	
	ACVG540 Meeting Stile End Cap with Brush Pile	2	Pack	VG540 VG541	MF	
					SA	
					KL	
					HP	
					SSC	
					SMC	
					W	
					Z	✓
					PC	
	ACVG541 End Cap for VG541 2 Per Set	1	Pair	VG541 ACVG540	MF	
					SA	
					KL	
					HP	
					SSC	
					SMC	
					W	✓
					Z	✓
					PC	
	ACVG542 Low Friction Gasket	100	m	VG520 VG521N	MF	
					SA	
					KL	
					HP	
					SSC	
					SMC	
					W	
					Z	✓
					PC	
	ACVG543 End Part Double Casement Profile	2	Pack	VG542	MF	
					SA	
					KL	
					HP	
					SSC	
					SMC	
					W	
					Z	
					PC	
	ACVG544 Support Block for Sash	10	Pack	VG520	MF	
					SA	
					KL	
					HP	
					SSC	
					SMC	
					W	
					Z	✓
					PC	
 <small>T-BARS ACVG66=2.5mm ACVG66=3.0mm ACVL150=4.0mm</small>	 <small>Screw (Grub)</small>	MF = Mill Finish SA = Silver Anodised KL = Basic Colour HP = Special Colour SSC = Smooth Satin Chrome SMC = Smokey Chrome PC = Polished Chrome	W = White Z = Black			

ACCESSORIES : PHOTOS & DRAWINGS

Image	Part Code	Pack	Unit	Application	Colour	
	ACVG545 Security Device	2	Pack	VG520 VG540 VG541	MF	
					SA	
					KL	
					HP	
					SSC	
					SMC	
					W	
					Z	✓
					PC	
	ACVG546 Top Guide/Anti-Lift Block for Slim Interlock	4	Pack	VG535 VG536 VG539	MF	
					SA	
					KL	
					HP	
					SSC	
					SMC	
					W	
					Z	✓
					PC	
	ACVG547 Slim Interlock Fixing Bracket	8	Pack	VG520 VG535 VG536 VG539	MF	
					SA	
					KL	
					HP	
					SSC	
					SMC	
					W	
					Z	
					PC	
	ACVG548 Slim Interlock Fixing Bracket for Lift & Slide	8	Pack	VG521N VG534 VG535 VG536 VG539	MF	
					SA	
					KL	
					HP	
					SSC	
					SMC	
					W	
					Z	
					PC	
	ACVG550 Adjustable Full Height Keep for ACSZ007 only Available in powder coated or silver anodised finish. Not covered by Kitemark.	1	Each	ACSZ007	MF	
					SA	✓
					KL	✓
					HP	✓
					SSC	
					SMC	
					W	✓
					Z	✓
					PC	
 T-BARS ACG685=2.5mm ACG666=3.0mm ACVL150=4.0mm	MF = Mill Finish SA = Silver Anodised KL = Basic Colour HP = Special Colour SSC = Smooth Satin Chrome SMC = Smokey Chrome PC = Polished Chrome	W = White Z = Black	 Screw (Grub)			

ACCESSORIES : PHOTOS & DRAWINGS

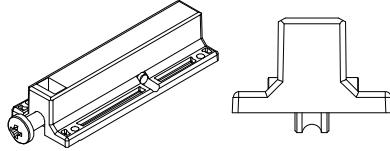
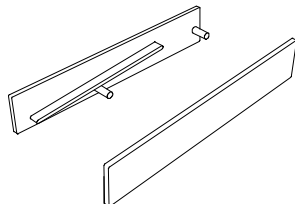
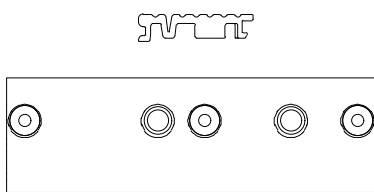
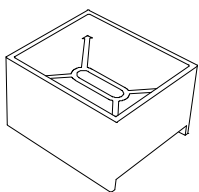
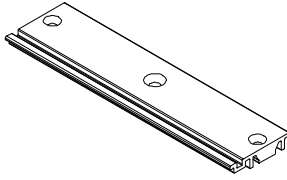

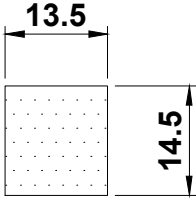
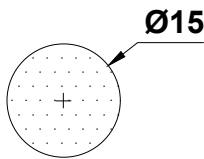
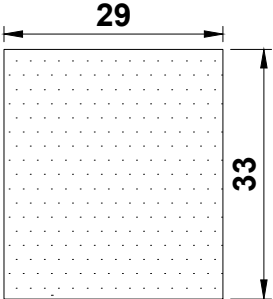
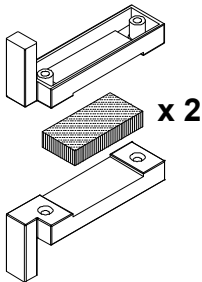
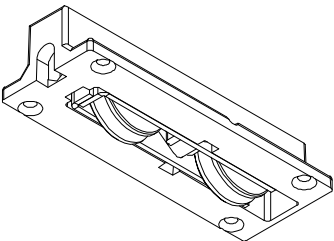

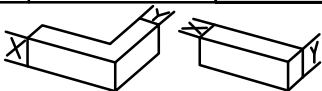
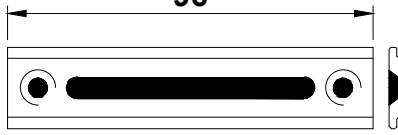
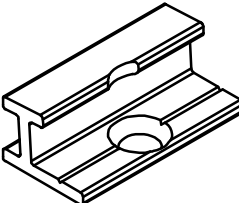
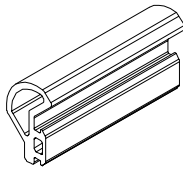
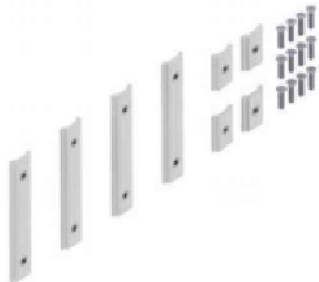



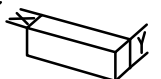
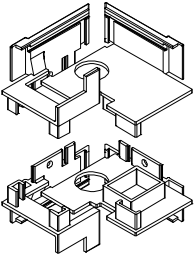
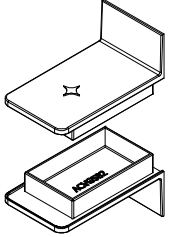
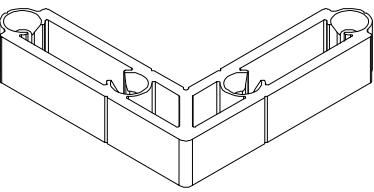
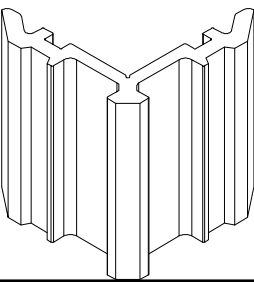
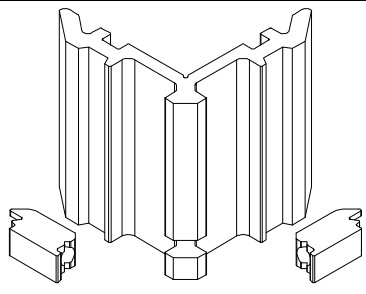

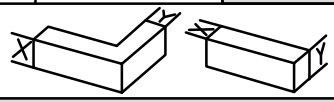
Image	Part Code	Pack	Unit	Application	Colour
	ACVG555 Adjustable Roller Max Weight 250kg / pair	1	Each	VG520	MF
					SA
					KL
					HP
					SSC
					SMC
					W
					Z
					PC
					
SA					
KL					
HP					
SSC					
SMC					
W					
Z					
PC					
	ACVG557N Glass support	50	Pack	VG521N	
					SA
					KL
					HP
					SSC
					SMC
					W
					Z
					PC
					
SA					
KL					
HP					
SSC					
SMC					
W					
Z					
PC					
	ACVG559 Bridge Packer	20	Pack	VG521N	
					SA
					KL
					HP
					SSC
					SMC
					W
					Z
					PC
					 <small>T-BARS ACVG66=2.5mm ACVG66=3.0mm ACVL150=4.0mm</small>

Image	Part Code	Pack	Unit	Application	Colour																		
	ACVG560 Foam Infill for VG520 1250mm Lengths	1	Each	VG520	<table border="1"> <tr><td>MF</td><td></td></tr> <tr><td>SA</td><td></td></tr> <tr><td>KL</td><td></td></tr> <tr><td>HP</td><td></td></tr> <tr><td>SSC</td><td></td></tr> <tr><td>SMC</td><td></td></tr> <tr><td>W</td><td></td></tr> <tr><td>Z</td><td></td></tr> <tr><td>PC</td><td></td></tr> </table>	MF		SA		KL		HP		SSC		SMC		W		Z		PC	
MF																							
SA																							
KL																							
HP																							
SSC																							
SMC																							
W																							
Z																							
PC																							
	ACVG561 Foam Infill for Glass Perimeter	100	m	VG520 VG521N	<table border="1"> <tr><td>MF</td><td></td></tr> <tr><td>SA</td><td></td></tr> <tr><td>KL</td><td></td></tr> <tr><td>HP</td><td></td></tr> <tr><td>SSC</td><td></td></tr> <tr><td>SMC</td><td></td></tr> <tr><td>W</td><td></td></tr> <tr><td>Z</td><td></td></tr> <tr><td>PC</td><td></td></tr> </table>	MF		SA		KL		HP		SSC		SMC		W		Z		PC	
MF																							
SA																							
KL																							
HP																							
SSC																							
SMC																							
W																							
Z																							
PC																							
	ACVG562 Foam Infill for VG530 1250mm Lengths	1	Each	VG530	<table border="1"> <tr><td>MF</td><td></td></tr> <tr><td>SA</td><td></td></tr> <tr><td>KL</td><td></td></tr> <tr><td>HP</td><td></td></tr> <tr><td>SSC</td><td></td></tr> <tr><td>SMC</td><td></td></tr> <tr><td>W</td><td></td></tr> <tr><td>Z</td><td></td></tr> <tr><td>PC</td><td></td></tr> </table>	MF		SA		KL		HP		SSC		SMC		W		Z		PC	
MF																							
SA																							
KL																							
HP																							
SSC																							
SMC																							
W																							
Z																							
PC																							
	ACVG563 VG519 Interlock Seal	1	Pair	VG519	<table border="1"> <tr><td>MF</td><td></td></tr> <tr><td>SA</td><td></td></tr> <tr><td>KL</td><td></td></tr> <tr><td>HP</td><td></td></tr> <tr><td>SSC</td><td></td></tr> <tr><td>SMC</td><td></td></tr> <tr><td>W</td><td></td></tr> <tr><td>Z</td><td>✓</td></tr> <tr><td>PC</td><td></td></tr> </table>	MF		SA		KL		HP		SSC		SMC		W		Z	✓	PC	
MF																							
SA																							
KL																							
HP																							
SSC																							
SMC																							
W																							
Z	✓																						
PC																							
	ACVG565 Fixed Double Roller Max Weight 250kg / pair	1	Each	VG520	<table border="1"> <tr><td>MF</td><td></td></tr> <tr><td>SA</td><td></td></tr> <tr><td>KL</td><td></td></tr> <tr><td>HP</td><td></td></tr> <tr><td>SSC</td><td></td></tr> <tr><td>SMC</td><td></td></tr> <tr><td>W</td><td></td></tr> <tr><td>Z</td><td></td></tr> <tr><td>PC</td><td></td></tr> </table>	MF		SA		KL		HP		SSC		SMC		W		Z		PC	
MF																							
SA																							
KL																							
HP																							
SSC																							
SMC																							
W																							
Z																							
PC																							
 <p>T-BARS ACVG66=2.5mm ACVG66=3.0mm ACVL150=4.0mm</p> <p>Screw (Grub)</p>	MF = Mill Finish SA = Silver Anodised KL = Basic Colour HP = Special Colour SSC = Smooth Satin Chrome SMC = Smokey Chrome PC = Polished Chrome	W = White Z = Black																					

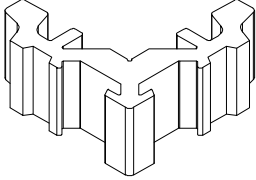
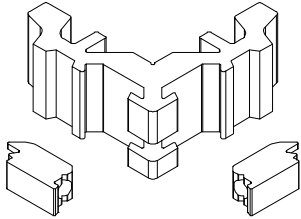
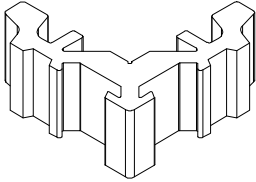
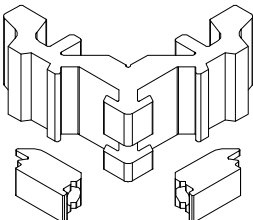
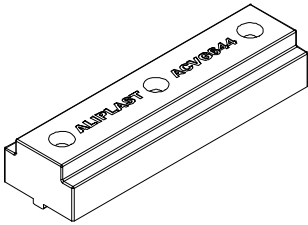

ACCESSORIES : PHOTOS & DRAWINGS

Image	Part Code	Pack	Unit	Application	Colour	
	ACVG571 Lock Fixing Support	1	Each	VG520	MF	
					SA	
					KL	
					HP	
					SSC	
					SMC	
					W	
					Z	✓
					PC	
					MF	
					SA	
					KL	
					HP	
					SSC	
					SMC	
					W	
					Z	
					PC	
	ACVG575 Support For VG575	20	Pack	VG575 UG050	MF	✓
					SA	
					KL	
					HP	
					SSC	
					SMC	
					W	
					Z	
					PC	
	ACVG576 Gasket for Floating Corner	150	m	VG580 VG581	MF	✓
					SA	
					KL	
					HP	
					SSC	
					SMC	
					W	
					Z	
					PC	
	ACVG580 Keep Fixing Plates	1	Pack	VG540 VG542	MF	
					SA	
					KL	
					HP	
					SSC	
					SMC	
					W	
					Z	
					PC	
 <small>T-BARS ACVG666=2.5mm ACVG666=3.0mm ACVL150=4.0mm</small>	 <small>Screw (Grub)</small>	MF = Mill Finish SA = Silver Anodised KL = Basic Colour HP = Special Colour SSC = Smooth Satin Chrome SMC = Smokey Chrome PC = Polished Chrome	W = White Z = Black	 		

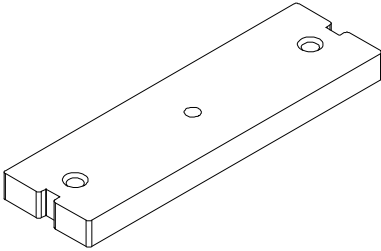
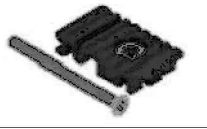
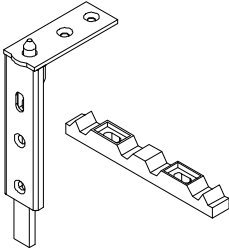
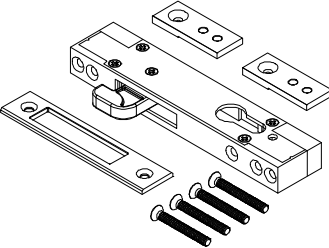
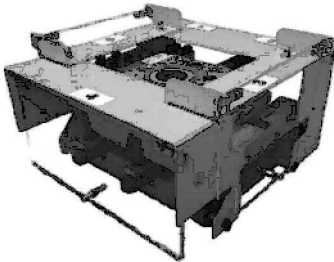

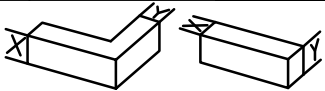
ACCESSORIES : PHOTOS & DRAWINGS

Image	Part Code	Pack	Unit	Application	Colour
	ACVG581 Cast End Caps for VG580 & VG581	1	Pack	VG580 VG581	MF
					SA
					KL
					HP
					SSC
					SMC
					W
					Z
					PC
	ACVG582 VG539 End Cap with Upstand	1	Pair	VG539	MF
					SA
					KL
					HP
					SSC
					SMC
					W
					Z
					PC
	ACVG590 90° Corner Cleat Pack Contains: 4 x Corner Cleats 16 x Screws	1	Pack		MF
					SA
					KL
					HP
					SSC
					SMC
					W
					Z
					PC
	ACVG610 Crimp Corner Cleat	24	Pack	VG610	MF
					SA
					KL
					HP
					SSC
					SMC
					W
					Z
					PC
	ACVG610S Mechanical Corner Cleat	24	Pack	VG610	MF
					SA
					KL
					HP
					SSC
					SMC
					W
					Z
					PC
 <small>T-BARS ACVG66=2.5mm ACVG66=3.0mm ACVL150=4.0mm</small>	MF = Mill Finish SA = Silver Anodised KL = Basic Colour HP = Special Colour SSC = Smooth Satin Chrome SMC = Smokey Chrome PC = Polished Chrome	W = White Z = Black			

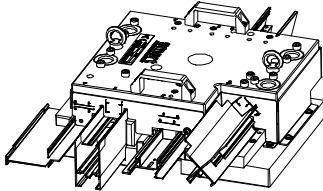
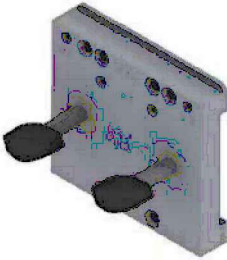

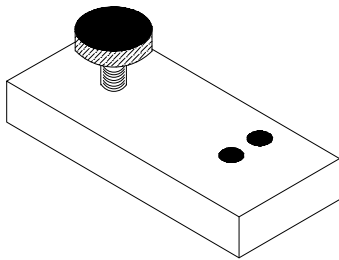


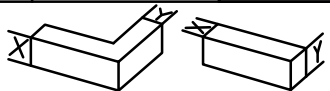
ACCESSORIES : PHOTOS & DRAWINGS

Image	Part Code	Pack	Unit	Application	Colour
	ACVG617 Crimp Corner Cleat	24	Pack	VG518	MF
					SA
					KL
					HP
					SSC
					SMC
					W
					Z
					PC
					
SA					
KL					
HP					
SSC					
SMC					
W					
Z					
PC					
	ACVG618 Crimp Corner Cleat	24	Pack	VG618	
					SA
					KL
					HP
					SSC
					SMC
					W
					Z
					PC
					
SA					
KL					
HP					
SSC					
SMC					
W					
Z					
PC					
	ACVG644 Vent Support	10	Pack	VG521N	
					SA
					KL
					HP
					SSC
					SMC
					W
					Z
					PC
					 <small>T-BARS ACVG665=2.5mm ACVG666=3.0mm ACVL150=4.0mm</small>

ACCESSORIES : PHOTOS & DRAWINGS

Image	Part Code	Pack	Unit	Application	Colour
	ACVG645N Vent Support Add-on For ACVG644	2	Pack	VG521N	MF SA KL HP SSC SMC W Z PC
	ACVG740 VG521N Fixings	20	Pack	VG521N VG542	MF SA KL HP SSC SMC W Z PC
	ACVG752 Corner Shootbolt	2	Pack	ACSZ007 ACSZ008 ACSZ009 ACSZ024 ACSZ025 ACSZ026 VG520	MF SA KL HP SSC SMC W Z PC
	ACVG873 Hook Lock & Keep	1	Each	VG520	MF SA KL HP SSC SMC W Z PC
	ACVG900 Punch Unit	1	Each		MF SA KL HP SSC SMC W Z PC
	MF = Mill Finish SA = Silver Anodised KL = Basic Colour HP = Special Colour SSC = Smooth Satin Chrome SMC = Smokey Chrome PC = Polished Chrome	W = White Z = Black			

ACCESSORIES : PHOTOS & DRAWINGS

Image	Part Code	Pack	Unit	Application	Colour
	ACVG905 Punch Tool (Modified ACSG160A tools may also be used)	1	Each		MF SA KL HP SSC SMC W Z PC
	ACVG950 Drill Jig T-Connection	1	Each	VG516	MF SA KL HP SSC SMC W Z PC
	ACVG951 Drill Jig Drainage	1	Each	VG510	MF SA KL HP SSC SMC W Z PC
	ACVG952 Drill Jig - Downward Drainage	1	Each	VG510 VG511N VG512 VG513 VG518 VG612	MF SA KL HP SSC SMC W Z PC
	ACVG953 Drill Jig Drainage	1	Each	VG510 VG511N VG618	MF SA KL HP SSC SMC W Z PC
	MF = Mill Finish SA = Silver Anodised KL = Basic Colour HP = Special Colour SSC = Smooth Satin Chrome SMC = Smokey Chrome PC = Polished Chrome	W = White Z = Black			

ACCESSORIES : PHOTOS & DRAWINGS

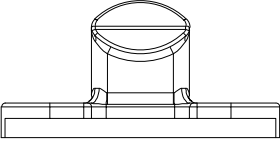
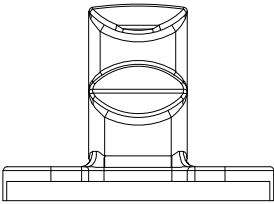
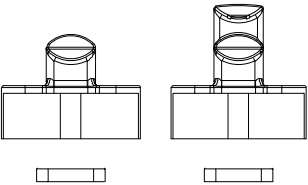
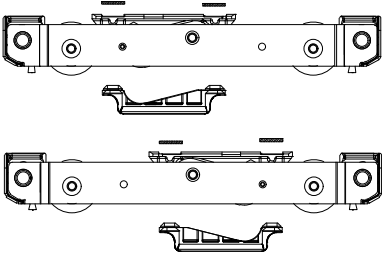
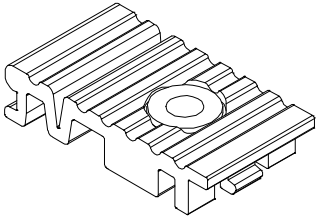


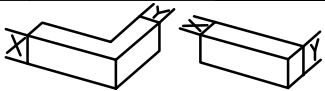



Image	Part Code	Pack	Unit	Application	Colour
	ACVG1220 Additional Hautau Lift And Slide keep	1	Each	VG510 VG511	MF SA KL HP SSC SMC W Z PC
	ACVG1222 Additional Hautau Lift And Slide night ventilation keep	1	Each	VG510 VG511	MF SA KL HP SSC SMC W Z PC
	ACVG1240 Basic Hautau Lift And Slide Sash to Sash lock set.	1	Each	VG542	MF SA KL HP SSC SMC W Z PC
	ACVG1274 Additional Double Roller Set.	1	Pack	VG521N	MF SA KL HP SSC SMC W Z PC
	ACVG1275 Fixing Plate Hautau Lift and Slide	20	Pack	VG521N	MF SA KL HP SSC SMC W Z PC
 <p>T-BARS ACVG66=2.5mm ACVG66=3.0mm ACVL150=4.0mm</p>  <p>Screw (Grub)</p>	<p>MF = Mill Finish SA = Silver Anodised KL = Basic Colour HP = Special Colour SSC = Smooth Satin Chrome SMC = Smokey Chrome PC = Polished Chrome</p>	<p>W = White Z = Black</p>			

Image	Part Code	Pack	Unit	Application	Colour																		
	<p>ACVG1277</p> <p>Hautau Lock for Sash Height 1877 - 2176mm</p>	1	Each	VG521N	<table border="1"> <tr><td>MF</td><td></td></tr> <tr><td>SA</td><td></td></tr> <tr><td>KL</td><td></td></tr> <tr><td>HP</td><td></td></tr> <tr><td>SSC</td><td></td></tr> <tr><td>SMC</td><td></td></tr> <tr><td>W</td><td></td></tr> <tr><td>Z</td><td></td></tr> <tr><td>PC</td><td></td></tr> </table>	MF		SA		KL		HP		SSC		SMC		W		Z		PC	
	MF																						
	SA																						
	KL																						
HP																							
SSC																							
SMC																							
W																							
Z																							
PC																							
<p>ACVG1278</p> <p>Hautau Lock for Sash Height 2177 - 2476mm</p>																							
<p>ACVG1279</p> <p>Hautau Lock for Sash Height 2477 - 2776mm</p>																							
 <p>T-BARS ACVG66=2.5mm ACVG66=3.0mm ACVL150=4.0mm</p> <p>Screw (Grub)</p>		<p>MF = Mill Finish SA = Silver Anodised KL = Basic Colour HP = Special Colour SSC = Smooth Satin Chrome SMC = Smokey Chrome PC = Polished Chrome</p> <p>W = White Z = Black</p>																					

ACCESSORIES : PHOTOS & DRAWINGS

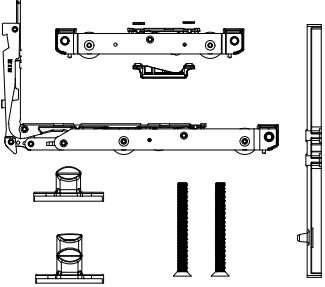
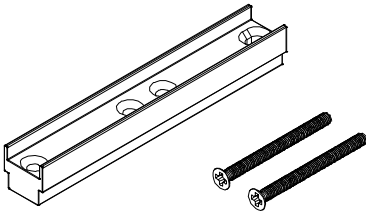
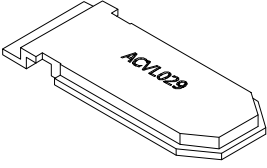

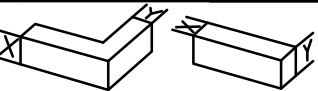
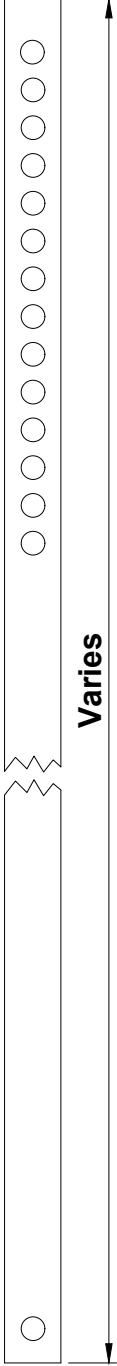


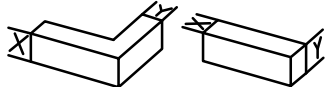
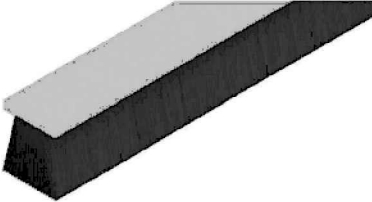

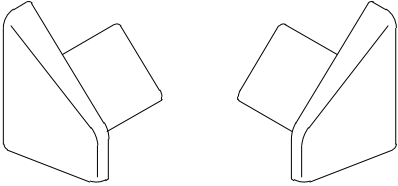
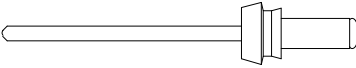
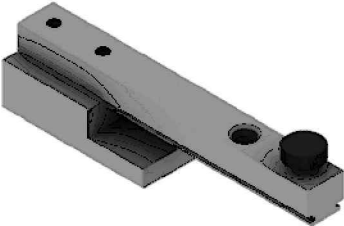



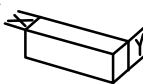
Image	Part Code	Pack	Unit	Application	Colour
	ACVG1280 Basic Lift And Slide kit (Max 250KG)	1	Pack	VG521N	MF
					SA
					KL
					HP
					SSC
					SMC
					W
					Z
					PC
					
SA					
KL					
HP					
SSC					
SMC					
W					
Z					
PC					
	ACVL029 Strengthening Piece For T-Connection	1 2500 5000	Each Pack Pack	VG620 VG621	
					SA
					KL
					HP
					SSC
					SMC
					W
					Z
					PC
SA					
KL					
HP					
SSC					
SMC					
W					
Z					
PC					
	MF = Mill Finish SA = Silver Anodised KL = Basic Colour HP = Special Colour SSC = Smooth Satin Chrome SMC = Smokey Chrome PC = Polished Chrome	W = White Z = Black			
					SA
					KL
					HP
					SSC
					SMC
					W
					Z
					PC

Image	Part Code	Pack	Unit	Application	Colour																		
	<p>ACUG230 Hautau Lift And Slide Connecting Rod. For ACVG1280 with sash width 650 - 1360 and ACVG1280 + ACVG1274 with Sash Width 1120 - 1800</p> <p>ACUG231 Hautau Lift And Slide Connecting Rod. For ACVG1280 with sash width 1361 - 1860 and ACVG1280 + ACVG1274 with Sash Width 1801 - 2300</p> <p>ACUG232 Hautau Lift And Slide Connecting Rod. For ACVG1280 with sash width 1861 - 2360 and ACVG1280 + ACVG1274 with Sash Width 2301 - 2800</p> <p>ACUG233 Hautau Lift And Slide Connecting Rod. ACVG1280 + ACVG1274 with Sash Width 2801 - 3235</p>	1	Each	ACVG1280 ACVG1274	<table border="1"> <tr><td>MF</td><td></td></tr> <tr><td>SA</td><td></td></tr> <tr><td>KL</td><td></td></tr> <tr><td>HP</td><td></td></tr> <tr><td>SSC</td><td></td></tr> <tr><td>SMC</td><td></td></tr> <tr><td>W</td><td></td></tr> <tr><td>Z</td><td></td></tr> <tr><td>PC</td><td></td></tr> </table>	MF		SA		KL		HP		SSC		SMC		W		Z		PC	
MF																							
SA																							
KL																							
HP																							
SSC																							
SMC																							
W																							
Z																							
PC																							
 	<p>MF = Mill Finish SA = Silver Anodised KL = Basic Colour HP = Special Colour SSC = Smooth Satin Chrome SMC = Smokey Chrome PC = Polished Chrome</p> <p>W = White Z = Black</p>																						

ACCESSORIES : PHOTOS & DRAWINGS

Image	Part Code	Pack	Unit	Application	Colour
	ACVL033 Woolpile H = 8mm	50	m		MF SA KL HP SSC SMC W Z PC
	ACVL058 Clip	50	Pack	VL70	MF SA KL HP SSC SMC W Z PC
	ACVL059 End Cap for VL72	1	Pair	VL72	MF SA KL HP SSC SMC W ✓ Z ✓ PC
	ACVL061 Rivet For VL72	100	Pack		MF SA KL HP SSC SMC W Z PC
	ACVL162 Drill Jig T-Connection	1	Each	VG510 VG515 ACVG515N	MF SA KL HP SSC SMC W Z PC
 <p>T-BARS ACVG65=2.5mm ACVG66=3.0mm ACVL150=4.0mm</p>  <p>Screw (Grub)</p>	MF = Mill Finish SA = Silver Anodised KL = Basic Colour HP = Special Colour SSC = Smooth Satin Chrome SMC = Smokey Chrome PC = Polished Chrome	W = White Z = Black	 		

ACCESSORIES : PHOTOS & DRAWINGS

Image	Part Code	Pack	Unit	Application	Colour
	ACVS033 Woolpile With Fin Black or White H = 9mm W = 4.8mm	150	m	VG520 VG521N	MF SA KL HP SSC SMC W ✓ Z ✓ PC
	ACVS034 Woolpile With Fin Black or White H = 6.5mm W = 4.8mm	150	m	VG551R	MF SA KL HP SSC SMC W ✓ Z ✓ PC
	ACVS061 M5 x 40 Countersunk Screw	100	pack		MF SA KL HP SSC SMC W Z PC
	ACVS062 Countersunk Polyamide Sash Screw	1000	pack		MF SA KL HP SSC SMC W Z PC
					MF SA KL HP SSC SMC W Z PC
<p>T-BARS ACVG65=2.5mm ACVG66=3.0mm ACVL150=4.0mm</p> <p>Screw (Grub)</p>	MF = Mill Finish SA = Silver Anodised KL = Basic Colour HP = Special Colour SSC = Smooth Satin Chrome SMC = Smokey Chrome PC = Polished Chrome	W = White Z = Black			

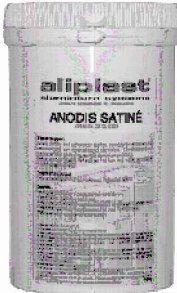


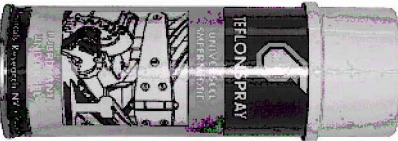



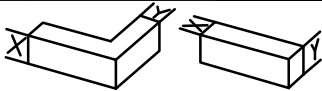
Image	Part Code	Pack	Unit	Application	Colour
	ACMX09700 Alu-Polish Cleaning emulsion for aluminium oxide.	1	each		MF <input checked="" type="checkbox"/> SA <input type="checkbox"/> KL <input type="checkbox"/> HP <input type="checkbox"/> SSC <input type="checkbox"/> SMC <input type="checkbox"/> W <input type="checkbox"/> Z <input type="checkbox"/> PC <input type="checkbox"/>
	ACMX09761 Maxi Gloss Protection for painted and anodised surfaces.	1	each		MF <input type="checkbox"/> SA <input type="checkbox"/> KL <input type="checkbox"/> HP <input type="checkbox"/> SSC <input type="checkbox"/> SMC <input type="checkbox"/> W <input type="checkbox"/> Z <input type="checkbox"/> PC <input type="checkbox"/>
	ACMX09762 Alu. Bright Cleaner for rough, anodised or enamelled aluminium frames.	1	each		MF <input type="checkbox"/> SA <input type="checkbox"/> KL <input type="checkbox"/> HP <input type="checkbox"/> SSC <input type="checkbox"/> SMC <input type="checkbox"/> W <input type="checkbox"/> Z <input type="checkbox"/> PC <input type="checkbox"/>
	ACMX09763 Teflon Spray Lubricant	1	each		MF <input type="checkbox"/> SA <input type="checkbox"/> KL <input type="checkbox"/> HP <input type="checkbox"/> SSC <input type="checkbox"/> SMC <input type="checkbox"/> W <input type="checkbox"/> Z <input type="checkbox"/> PC <input type="checkbox"/>
	ACMX09764 Maxi Cleaner For cleaning oily surfaces.	1	each		MF <input type="checkbox"/> SA <input type="checkbox"/> KL <input type="checkbox"/> HP <input type="checkbox"/> SSC <input type="checkbox"/> SMC <input type="checkbox"/> W <input type="checkbox"/> Z <input type="checkbox"/> PC <input type="checkbox"/>
 T-BARS ACVG65=2.5mm ACVG66=3.0mm ACVL150=4.0mm  Screw (Grub)	MF = Mill Finish SA = Silver Anodised KL = Basic Colour HP = Special Colour SSC = Smooth Satin Chrome SMC = Smokey Chrome PC = Polished Chrome	W = White Z = Black			









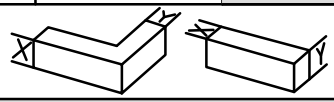
Image	Part Code	Pack	Unit	Application	Colour
	ACMX09765 Glue Cleaner De-grease and silicone remover.	1	each		MF SA KL HP SSC SMC W Z PC
	ACMX09770 Roll & Wrap 100mm	1	each		MF SA KL HP SSC SMC W Z PC
	ACMX09775 Grip Handwrap	1	each		MF SA KL HP SSC SMC W Z PC
	ACMX09801 Protective Tape 50mm	1	each		MF SA KL HP SSC SMC W Z PC
	ACMX09802 Protective Tape 70mm	1	each		MF SA KL HP SSC SMC W Z PC
 <p>T-BARS ACVG65=2.5mm ACVG66=3.0mm ACVL150=4.0mm</p>  <p>Screw (Grub)</p>	MF = Mill Finish SA = Silver Anodised KL = Basic Colour HP = Special Colour SSC = Smooth Satin Chrome SMC = Smokey Chrome PC = Polished Chrome	W = White Z = Black	 		

Image	Part Code	Pack	Unit	Application	Colour
	ACMX09803 Protective Tape 100mm	1	each		MF SA KL HP SSC SMC W Z PC
	ACSIL05 Rubber Sealant	1	each		MF SA KL HP SSC SMC W Z PC
	ACSIL04 Sealing Glue Order with suffix of KL colour (eg.ACSIL04KL005) or BL=Black/WP=White/CL=Clear	1	each		MF SA KL ✓ HP SSC SMC W ✓ Z ✓ PC
	ACSIL08 Silicon Gun	1	each		MF SA KL HP SSC SMC W Z PC
	ACSIL013 Glue for Mitre	1	each		MF SA KL HP SSC SMC W Z PC
 <p>T-BARS ACVG66=2.5mm ACVG66=3.0mm ACVL150=4.0mm</p>  <p>Screw (Grub)</p>	<p>MF = Mill Finish SA = Silver Anodised KL = Basic Colour HP = Special Colour SSC = Smooth Satin Chrome SMC = Smokey Chrome PC = Polished Chrome</p>	<p>W = White Z = Black</p>			

STANDARD ACCESSORIES





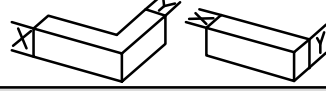
Image	Part Code	Pack	Unit	Application	Colour	
	ACSIL014 Anti-Corrosion Coating	1	each		MF	✓
					SA	
					KL	
					HP	
					SSC	
					SMC	
					W	
					Z	
					PC	
	ACUN3900 Gasket Roller	1	Each	Wedge Gaskets	MF	
					SA	
					KL	
					HP	
					SSC	
					SMC	
					W	
					Z	
					PC	
					MF	
					SA	
					KL	
					HP	
					SSC	
					SMC	
					W	
					Z	
					PC	
					MF	
					SA	
					KL	
					HP	
					SSC	
					SMC	
					W	
					Z	
					PC	
	MF = Mill Finish SA = Silver Anodised KL = Basic Colour HP = Special Colour SSC = Smooth Satin Chrome SMC = Smokey Chrome PC = Polished Chrome				MF	
					SA	
					KL	
					HP	
					SSC	
					SMC	
					W	
					Z	
					PC	
					MF	
					SA	
					KL	
					HP	
					SSC	
					SMC	
					W	
					Z	
					PC	
					MF	
					SA	
					KL	
					HP	
					SSC	
					SMC	
					W	
					Z	
					PC	
					MF	
					SA	
					KL	
					HP	
					SSC	
					SMC	
					W	
					Z	
					PC	
					MF	
					SA	
					KL	
					HP	
					SSC	
					SMC	
					W	
					Z	
					PC	
					MF	
					SA	
					KL	
					HP	
					SSC	
					SMC	
					W	
					Z	
					PC	
					MF	
					SA	
					KL	
					HP	
					SSC	
					SMC	
					W	
					Z	
					PC	
					MF	
					SA	
					KL	
					HP	
					SSC	
					SMC	
					W	
					Z	
					PC	
					MF	
					SA	
					KL	
					HP	
					SSC	
					SMC	
					W	
					Z	
					PC	
					MF	
					SA	
					KL	
					HP	
					SSC	
					SMC	
					W	
					Z	
					PC	
					MF	
					SA	
					KL	
					HP	
					SSC	
					SMC	
					W	
					Z	
					PC	
					MF	
					SA	
					KL	
					HP	
					SSC	
					SMC	
					W	
					Z	
					PC	
					MF	
					SA	
					KL	
					HP	
					SSC	
					SMC	
					W	
					Z	
					PC	
					MF	
					SA	
					KL	
					HP	
					SSC	
					SMC	
					W	
					Z	
					PC	
					MF	
					SA	
					KL	
					HP	
					SSC	
					SMC	
					W	
					Z	
					PC	
					MF	
					SA	
					KL	
					HP	
					SSC	
					SMC	
					W	
					Z	
					PC	
					MF	
					SA	
					KL	
					HP	
					SSC	
					SMC	
					W	
					Z	
					PC	
					MF	
					SA	
					KL	
					HP	
					SSC	
					SMC	
					W	
					Z	
					PC	
					MF	
					SA	
					KL	
					HP	
					SSC	
					SMC	
					W	
					Z	
					PC	
					MF	
					SA	
					KL	
					HP	
					SSC	
					SMC	
					W	
					Z	
					PC	
					MF	
					SA	
					KL	
					HP	
					SSC	
					SMC	
					W	
					Z	
					PC	
					MF	
					SA	
					KL	
					HP	
					SSC	
					SMC	
					W	
					Z	
					PC	
					MF	
					SA	
					KL	
					HP	
					SSC	
					SMC	
					W	
					Z	
					PC	
					MF	
					SA	
					KL	
					HP	
					SSC	
					SMC	
					W	
					Z	
					PC	
					MF	
					SA	
					KL	
					HP	
					SSC	
					SMC	
					W	
					Z	
					PC	
					MF	
					SA	
					KL	
					HP	
					SSC	
					SMC	
					W	
					Z	
					PC	
					MF	
					SA	
					KL	
					HP	
					SSC	
					SMC	
					W	
					Z	
					PC	
					MF	
					SA	
					KL	
					HP	
					SSC	
					SMC	
					W	
					Z	
					PC	
					MF	
					SA	
					KL	
					HP	
					SSC	
					SMC	
					W	
					Z	
					PC	
					MF	
					SA	
					KL	
					HP	
					SSC	
					SMC	
					W	
					Z	
					PC	
					MF	
					SA	
					KL	
					HP	
					SSC	
					SMC	
					W	
					Z	
					PC	
					MF	
					SA	
					KL	
					HP	
					SSC	
					SMC	
					W	
					Z	
					PC	
					MF	
					SA	
					KL	
					HP	
					SSC	
					SMC	
					W	
					Z	
					PC	
					MF	
					SA	
					KL	
					HP	
					SSC	
					SMC	
					W	
					Z	
					PC	
					MF	
					SA	
					KL	
					HP	
					SSC	
					SMC	
					W	
					Z	
					PC	
					MF	
					SA	
					KL	
					HP	
					SSC	
					SMC	
					W	
					Z	
					PC	
					MF	
					SA	
					KL	
					HP	
					SSC	
					SMC	
					W	
					Z	
					PC	
					MF	
					SA	
					KL	
					HP	
					SSC	
					SMC	
					W	
					Z	
					PC	
					MF	
					SA	
					KL	
					HP	
					SSC	
					SMC	
					W	
					Z	
					PC	
					MF	
					SA	
					KL	
					HP	
					SSC	
					SMC	
					W	
					Z	
					PC	
					MF	
					SA	
					KL	
					HP	
					SSC	
					SMC	
					W	
					Z	
					PC	
					MF	
					SA	
					KL	
					HP	
					SSC	
					SMC	
					W	
					Z	
					PC	
					MF	
					SA	
					KL	
					HP	
					SSC	
					SMC	
					W	
					Z	
					PC	
					MF	
					SA	
					KL	
					HP	
					SSC	
					SMC	
					W	
					Z	
					PC	
					MF	
					SA	
					KL	
					HP	
					SSC	
					SMC	
					W	
					Z	
					PC	
					MF	
					SA	
					KL	
					HP	
					SSC	
					SMC	
					W	
					Z	
					PC	
					MF	
					SA	
					KL	
					HP	
					SSC	
					SMC	
					W	
					Z	
					PC	
					MF	
					SA	
					KL	
					HP	
					SSC	
					SMC	
					W	
					Z	
					PC	
					MF	
					SA	
					KL	
					HP	
					SSC	
					SMC	
					W	
					Z	
					PC	
					MF	
					SA	
					KL	
					HP	
					SSC	
					SMC	
					W	
					Z	
					PC	
					MF	
					SA	
					KL	
					HP	
					SSC	
					SMC	
					W	
					Z	
					PC	
					MF	
					SA	
					KL	
					HP	
					SSC	
					SMC	
					W	

Image	Part Code	Pack	Unit	Application	Colour
					MF SA KL HP SSC SMC W Z PC
					MF SA KL HP SSC SMC W Z PC
					MF SA KL HP SSC SMC W Z PC
					MF SA KL HP SSC SMC W Z PC
					MF SA KL HP SSC SMC W Z PC
 <p>T-BARS ACVG665=2.5mm ACVG666=3.0mm ACVL150=4.0mm</p> <p>Screw (Grub)</p>	<p>MF = Mill Finish SA = Silver Anodised KL = Basic Colour HP = Special Colour SSC = Smooth Satin Chrome SMC = Smokey Chrome PC = Polished Chrome</p>	<p>W = White Z = Black</p>			

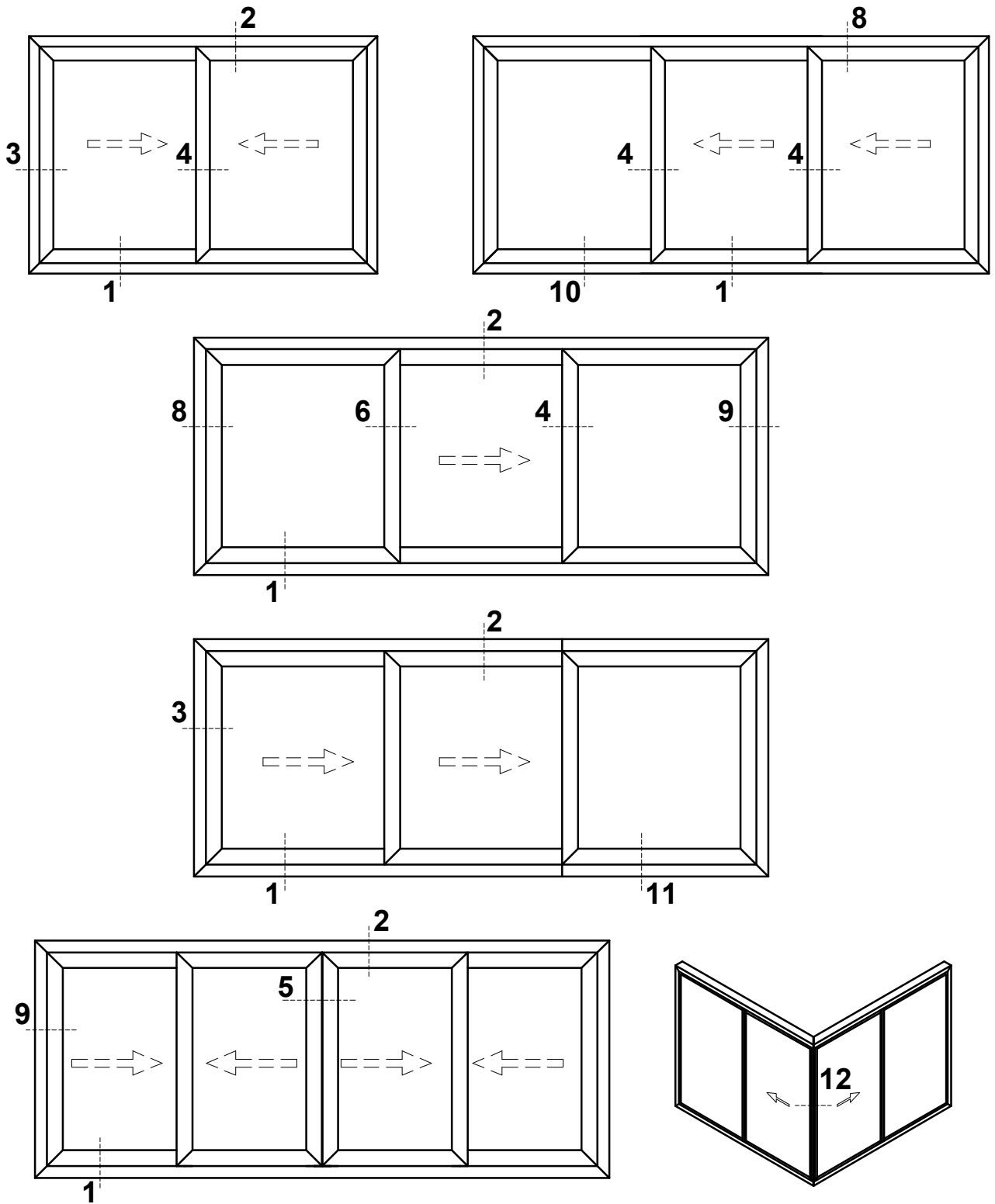
Section C

Sections

Scale Elevations

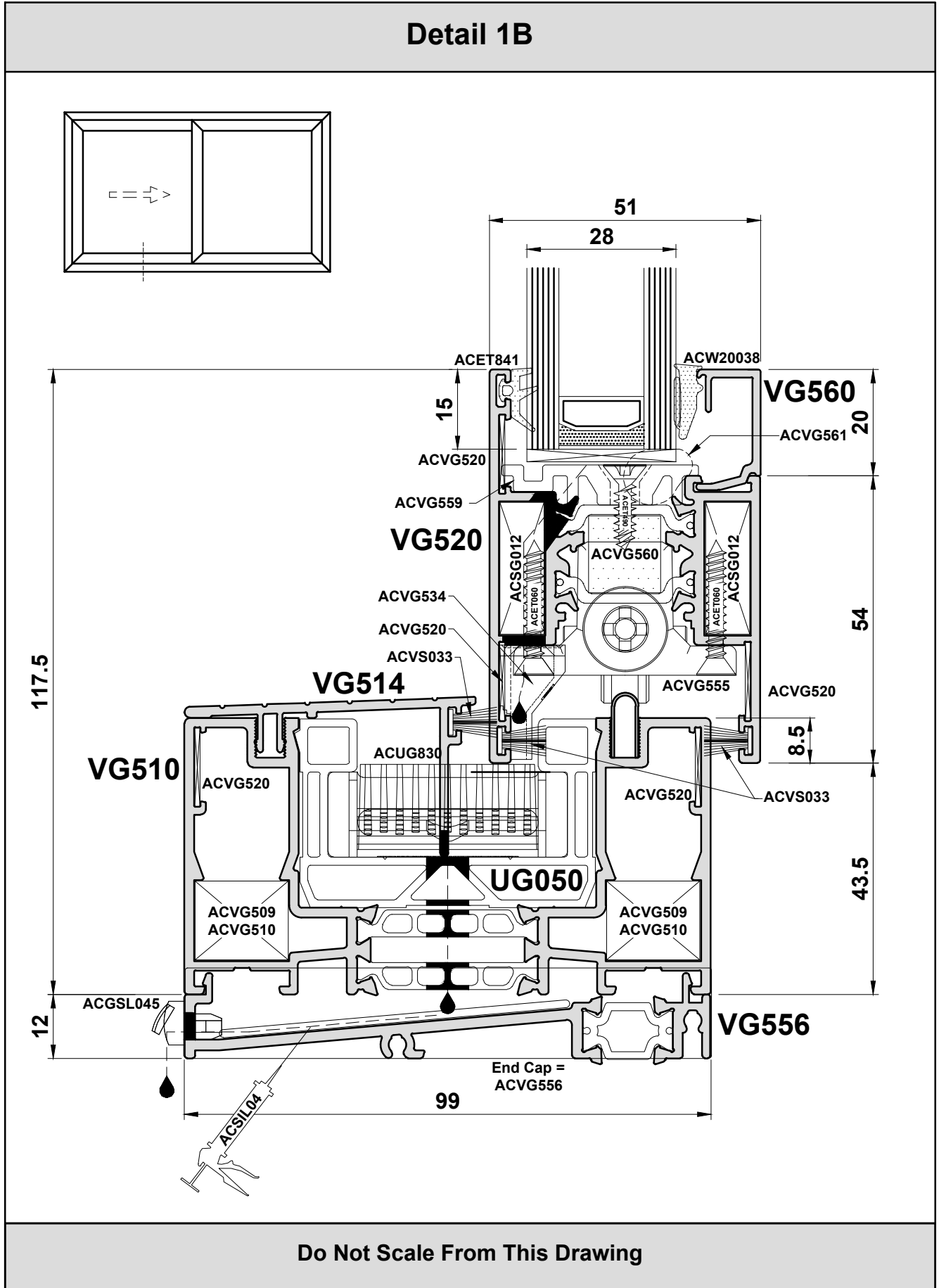
Section C

Scale Elevations



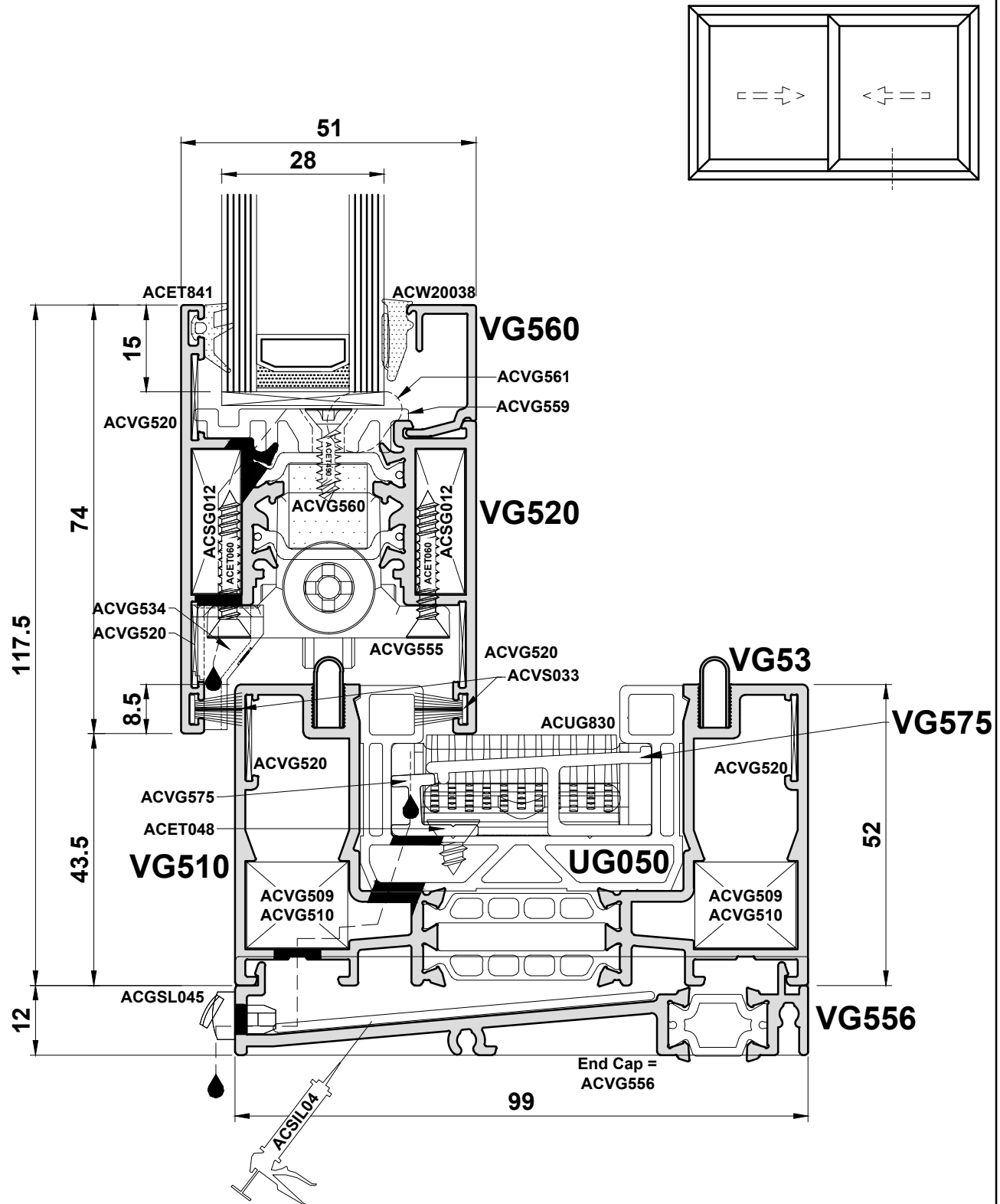
Do Not Scale From This Drawing

Detail 1B



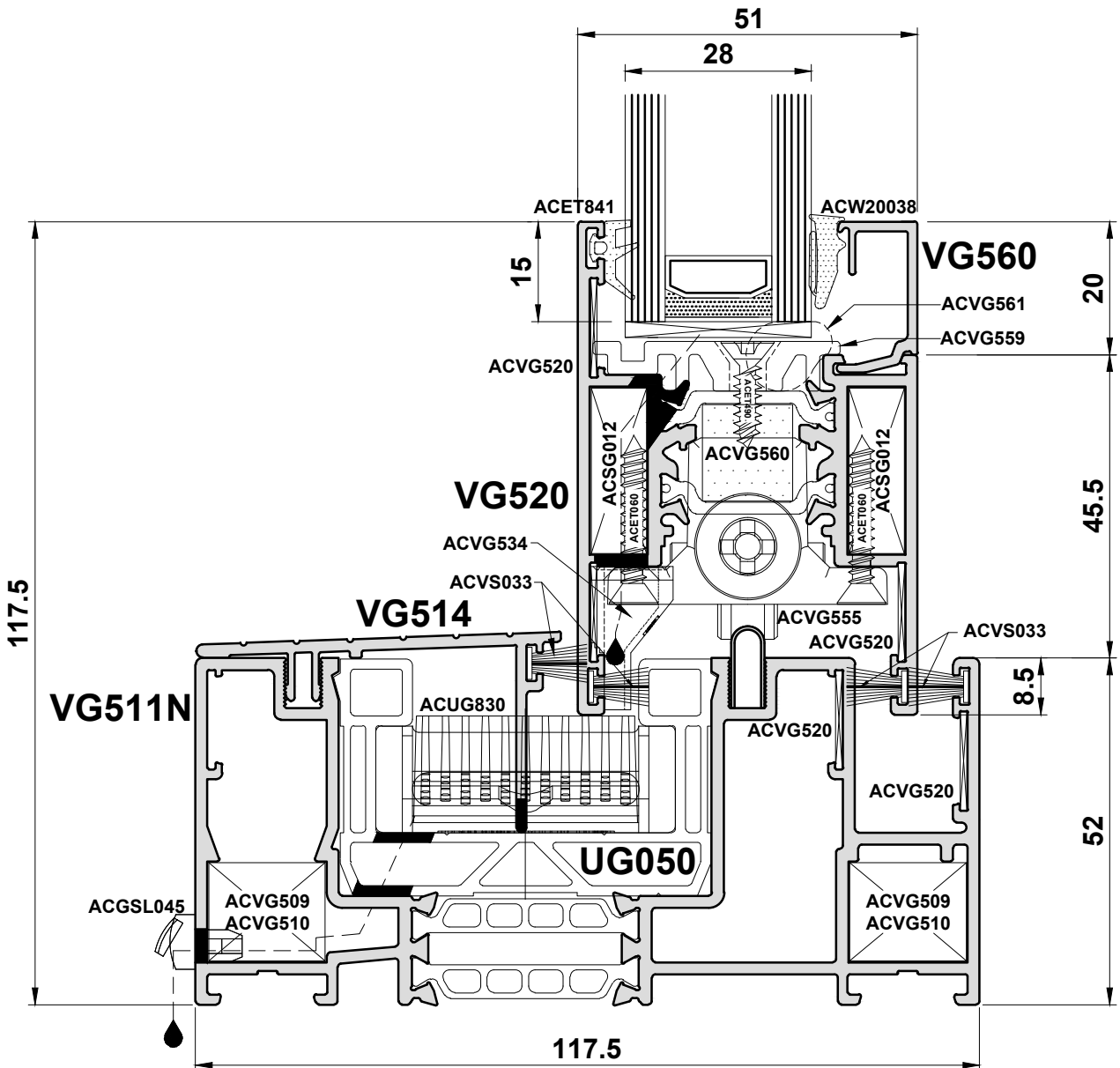
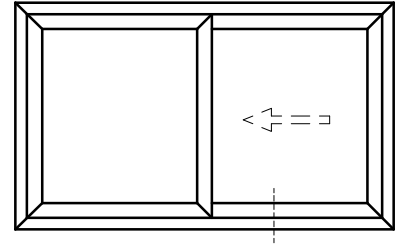
Do Not Scale From This Drawing

Detail 1C



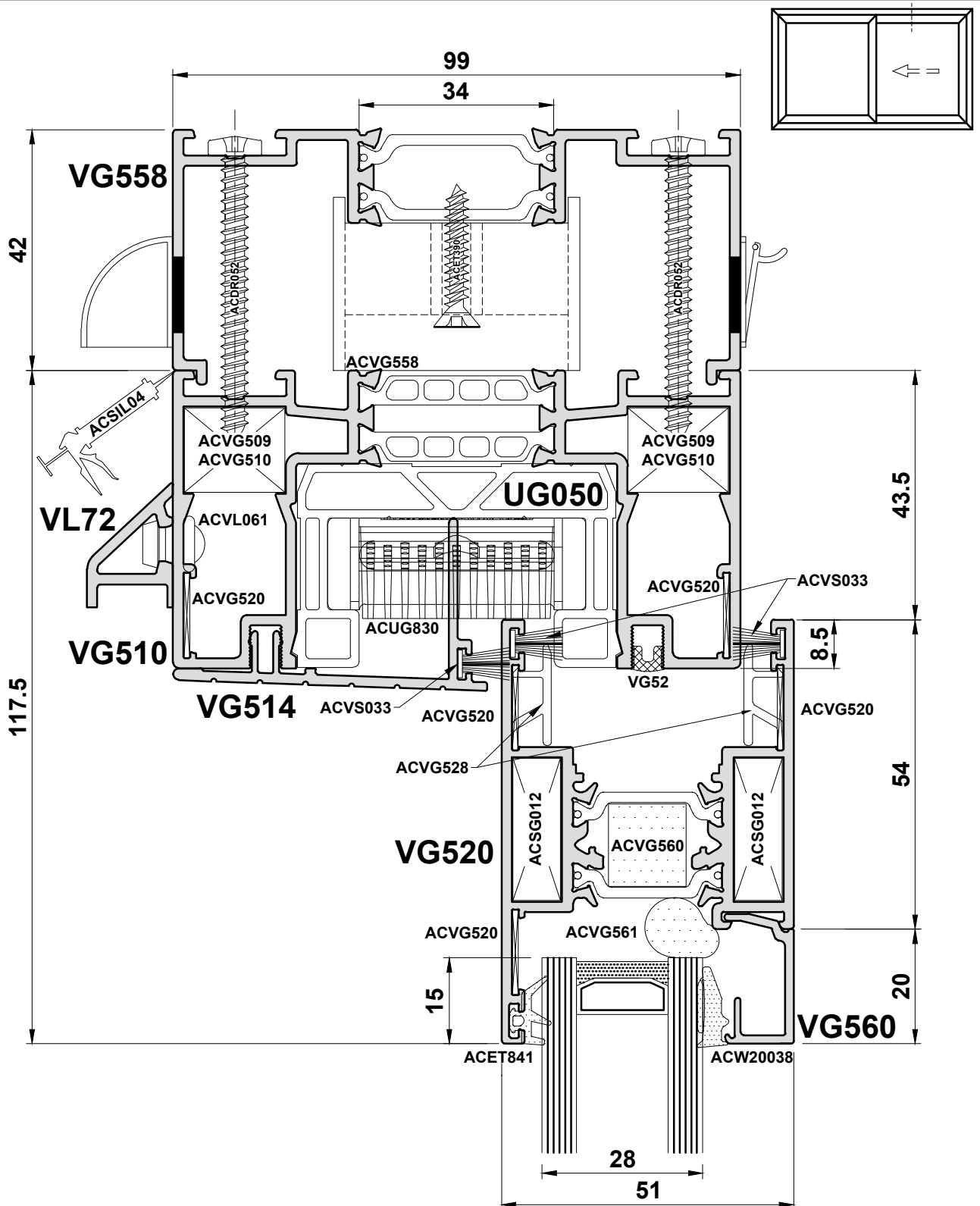
Do Not Scale From This Drawing

Detail 1D



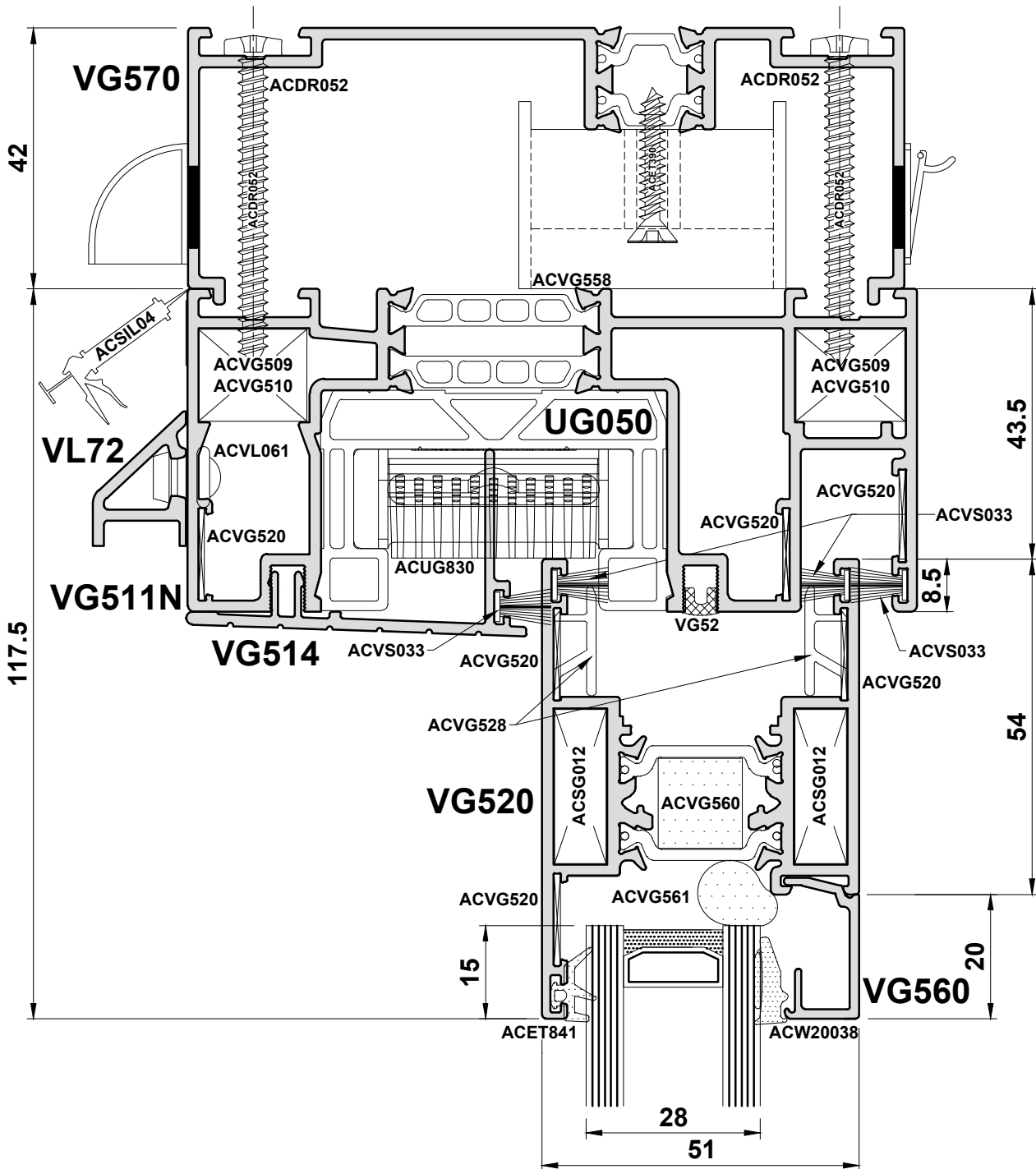
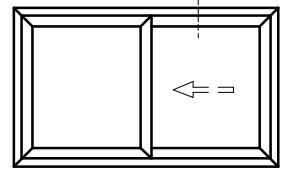
Do Not Scale From This Drawing

Detail 2A



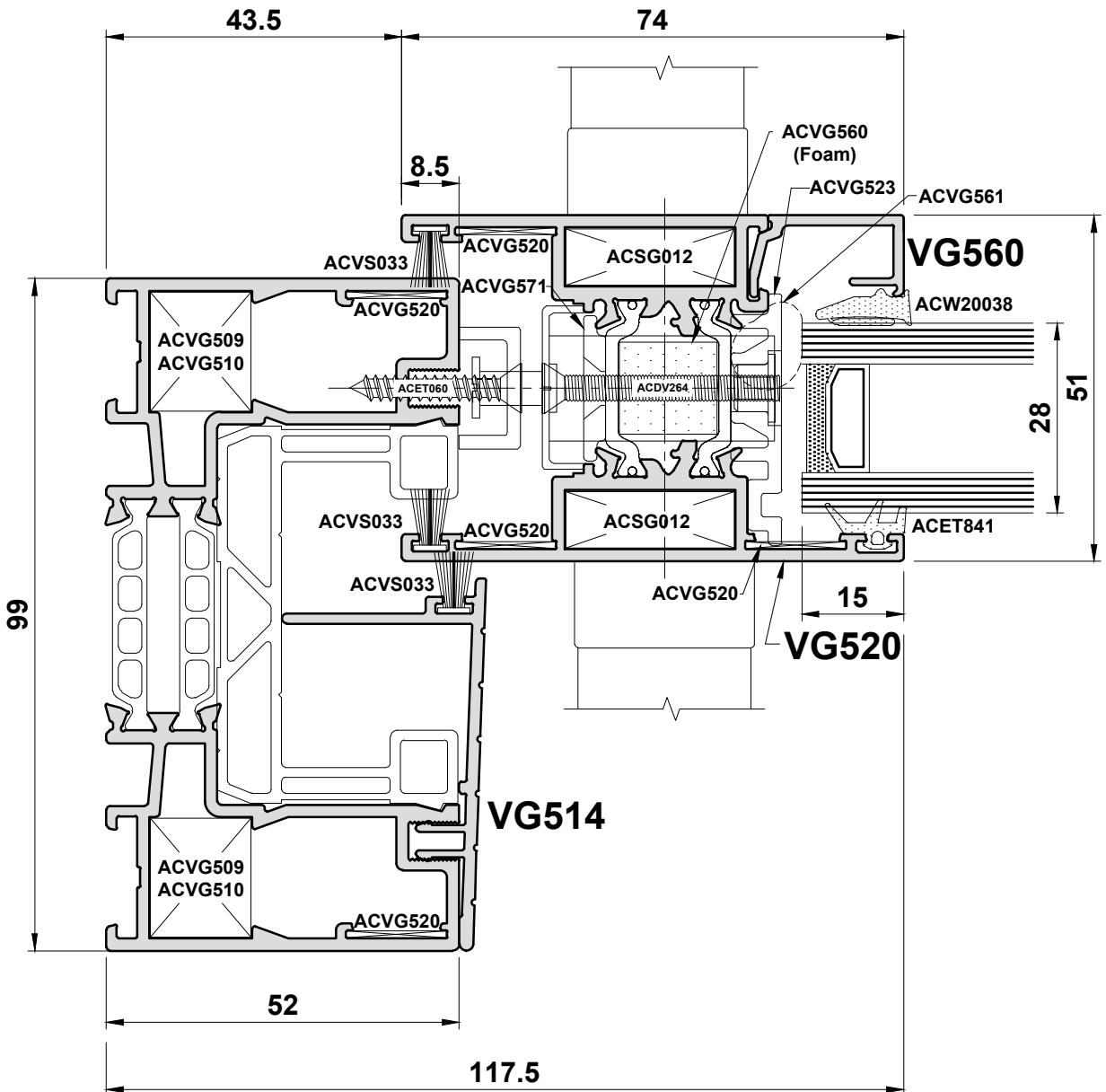
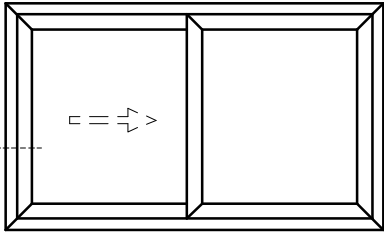
Do Not Scale From This Drawing

Detail 2B



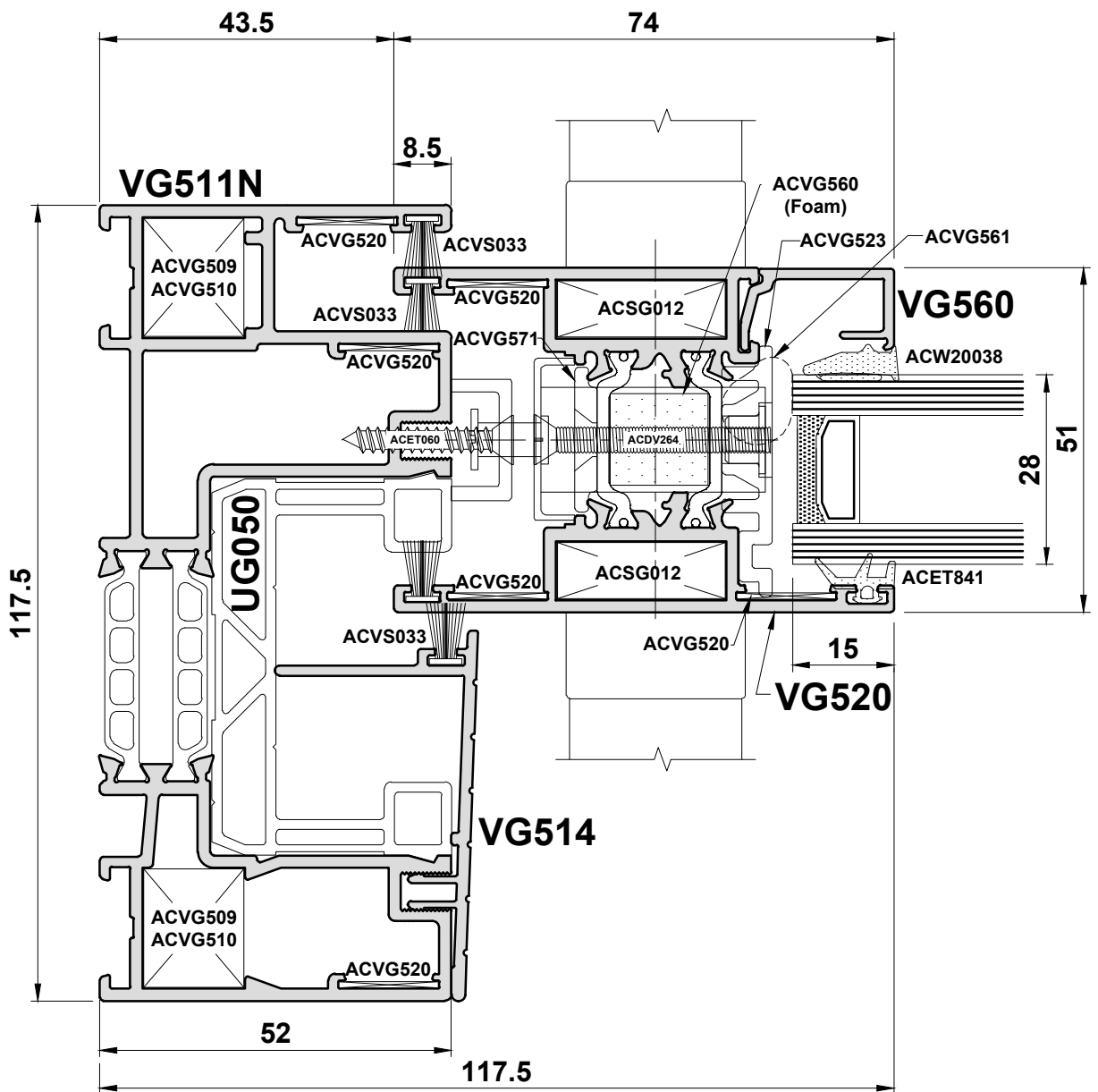
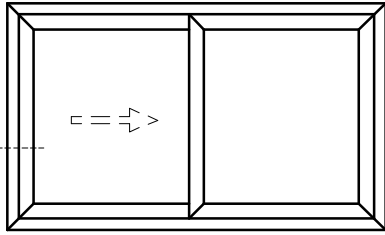
Do Not Scale From This Drawing

Detail 3A



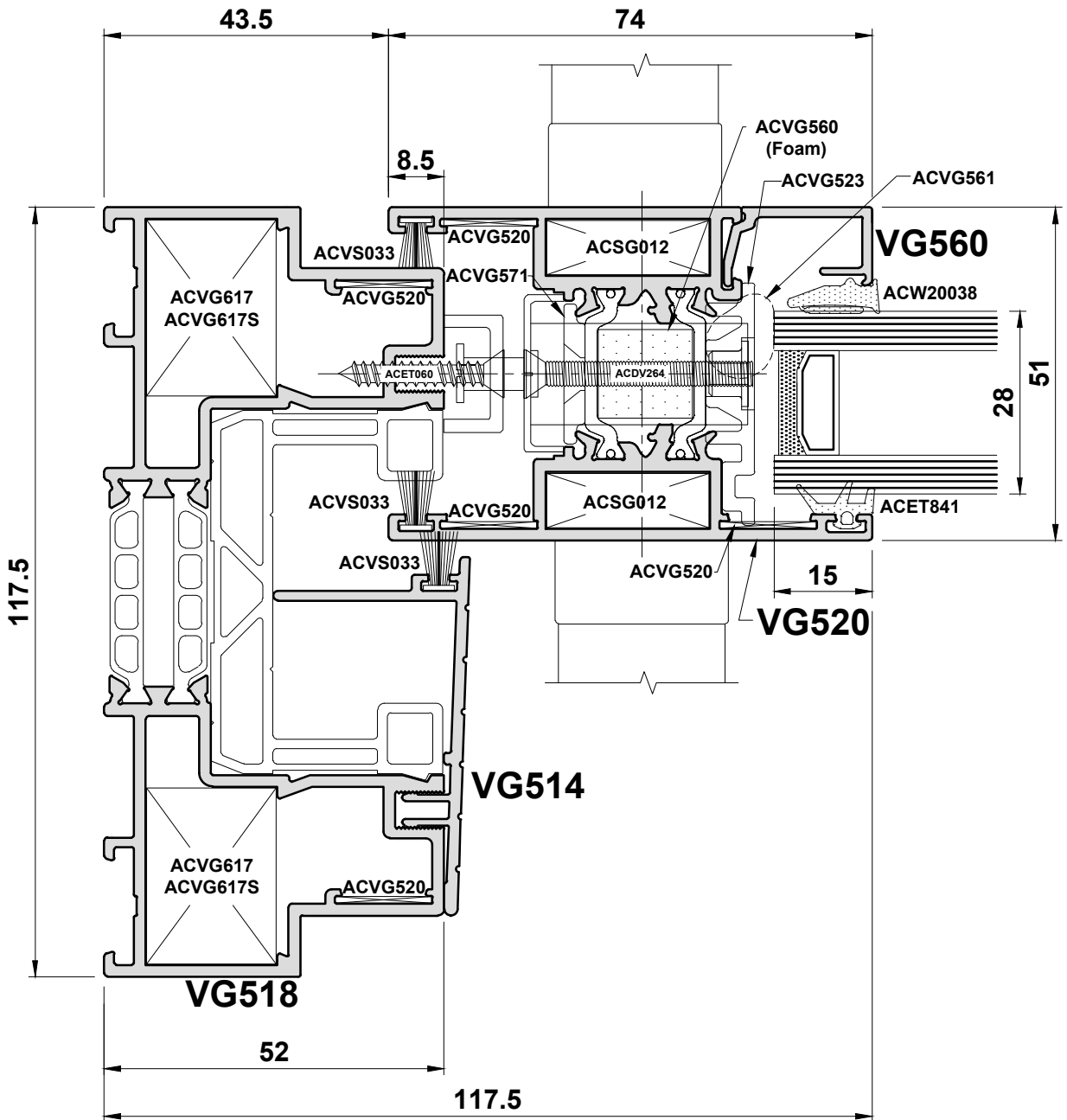
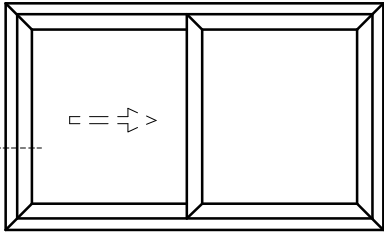
Do Not Scale From This Drawing

Detail 3B



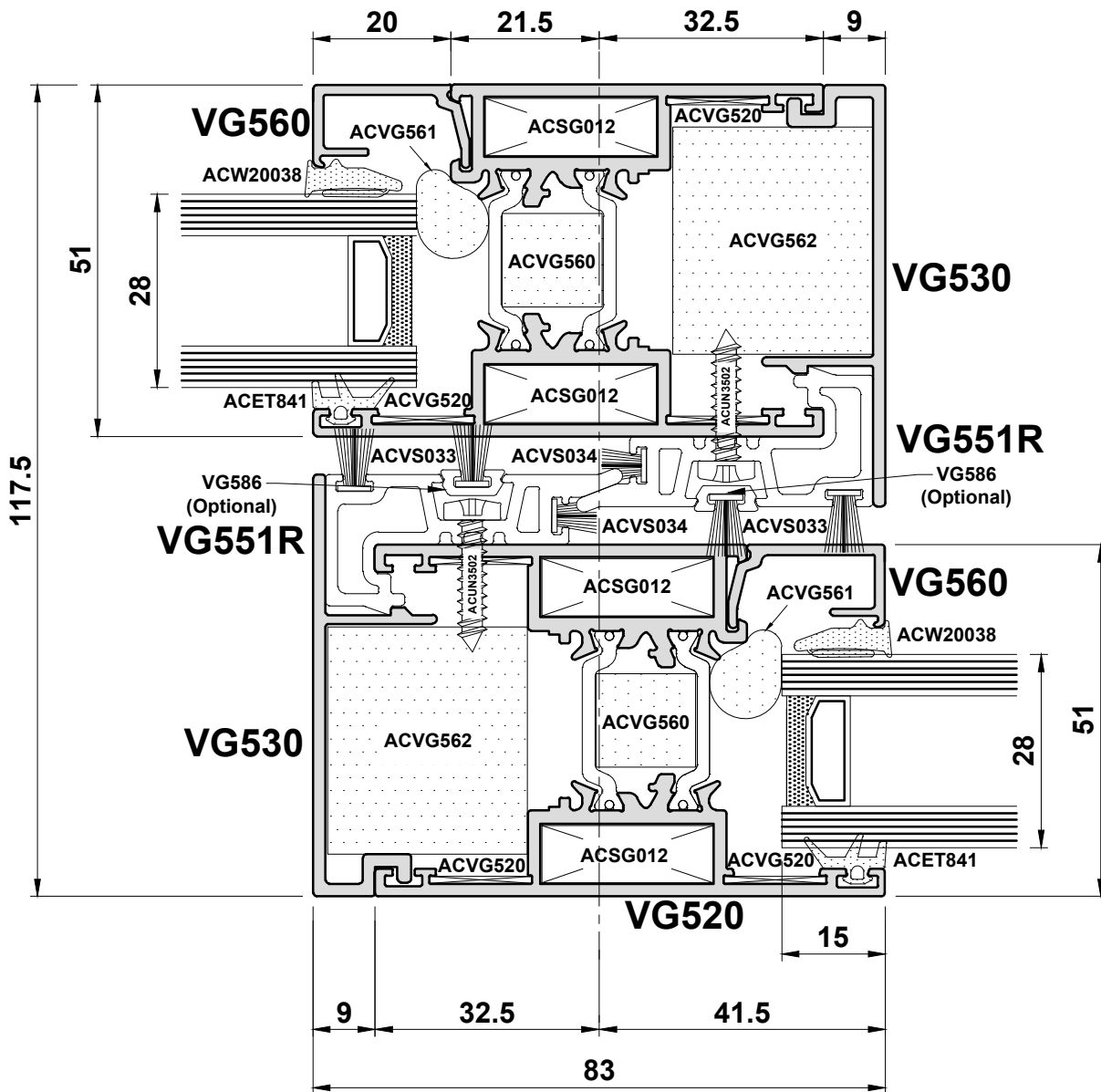
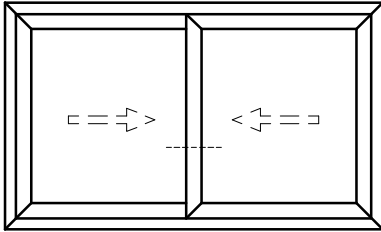
Do Not Scale From This Drawing

Detail 3C



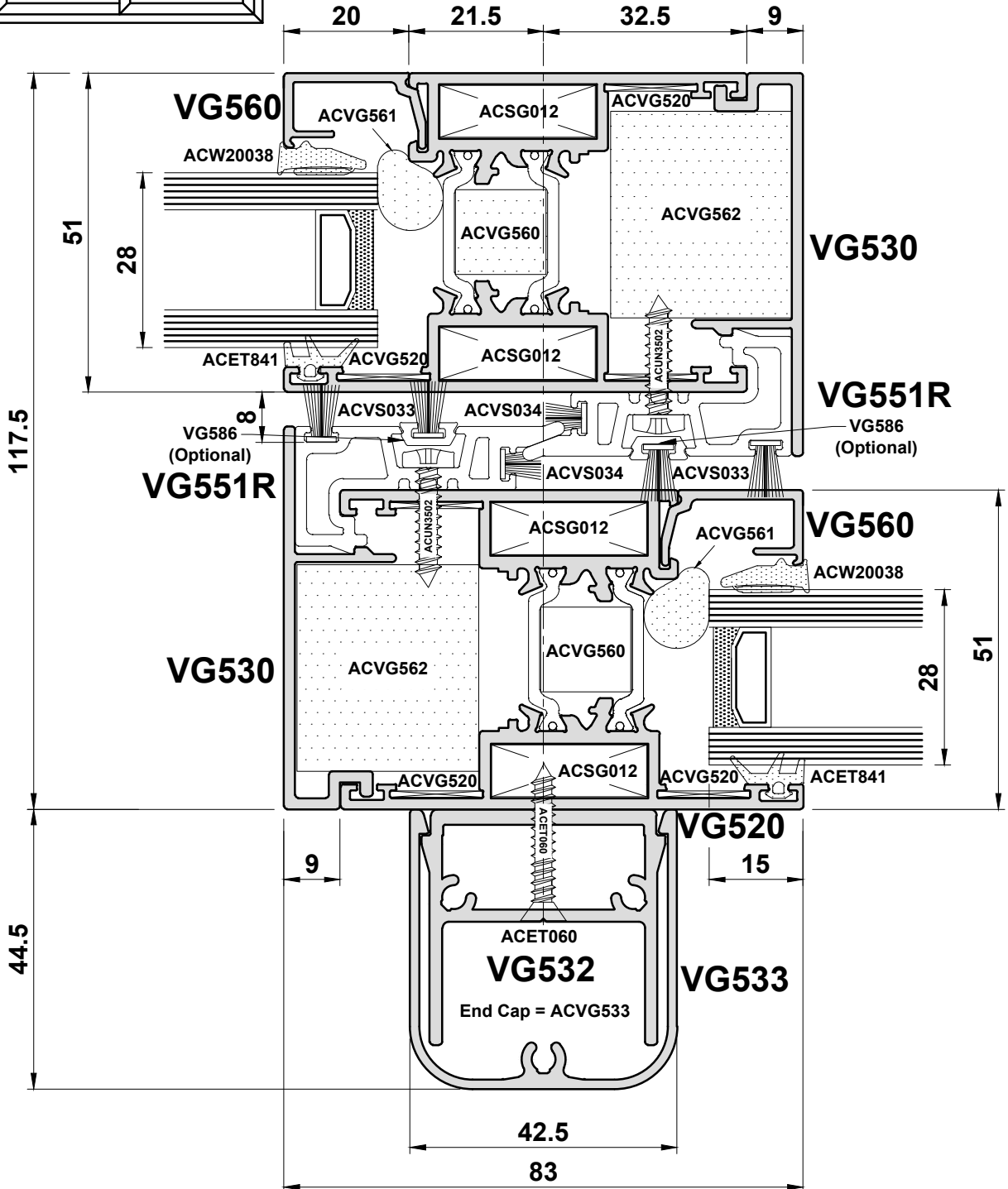
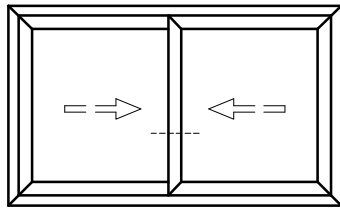
Do Not Scale From This Drawing

Detail 4A



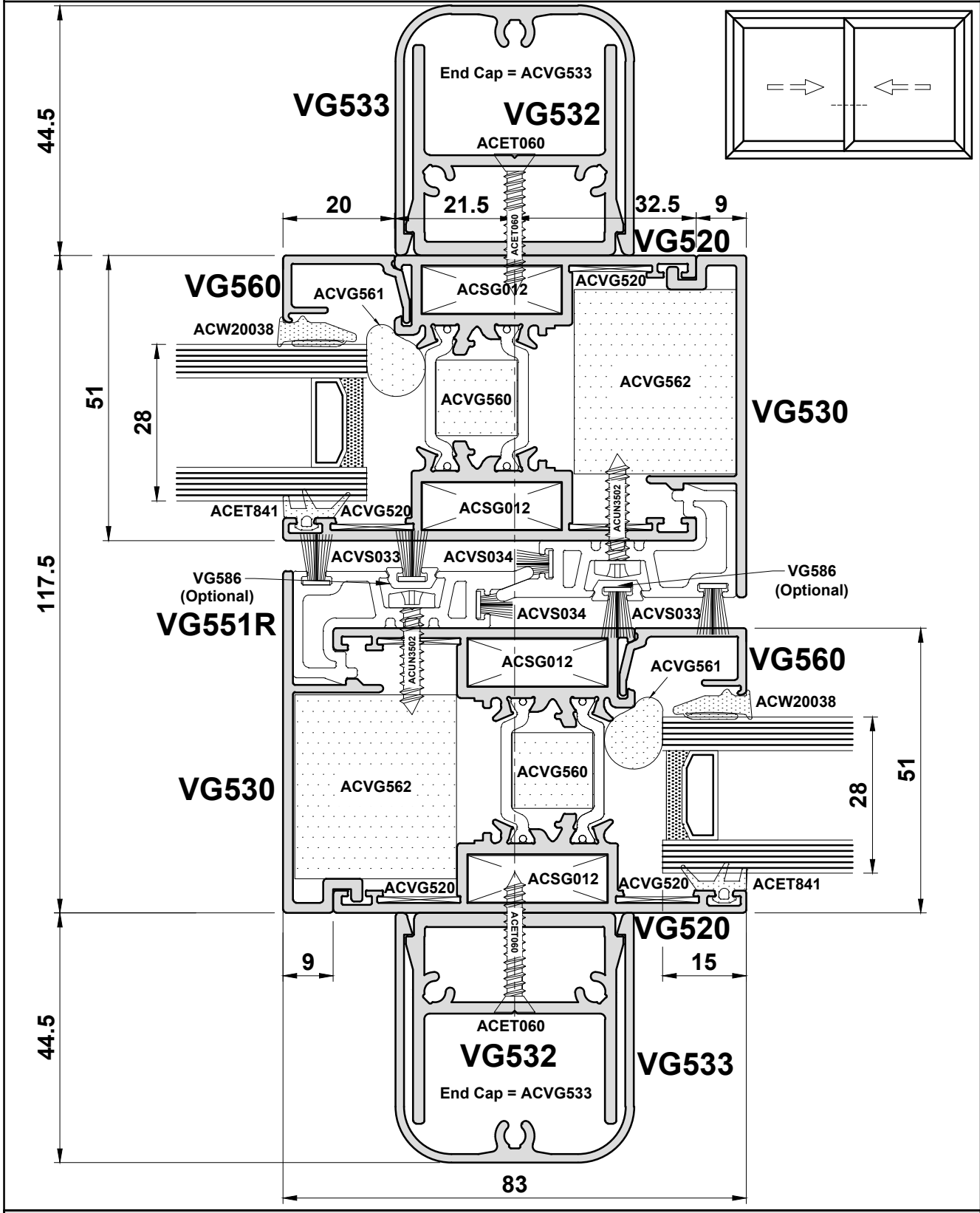
Do Not Scale From This Drawing

Detail 4B



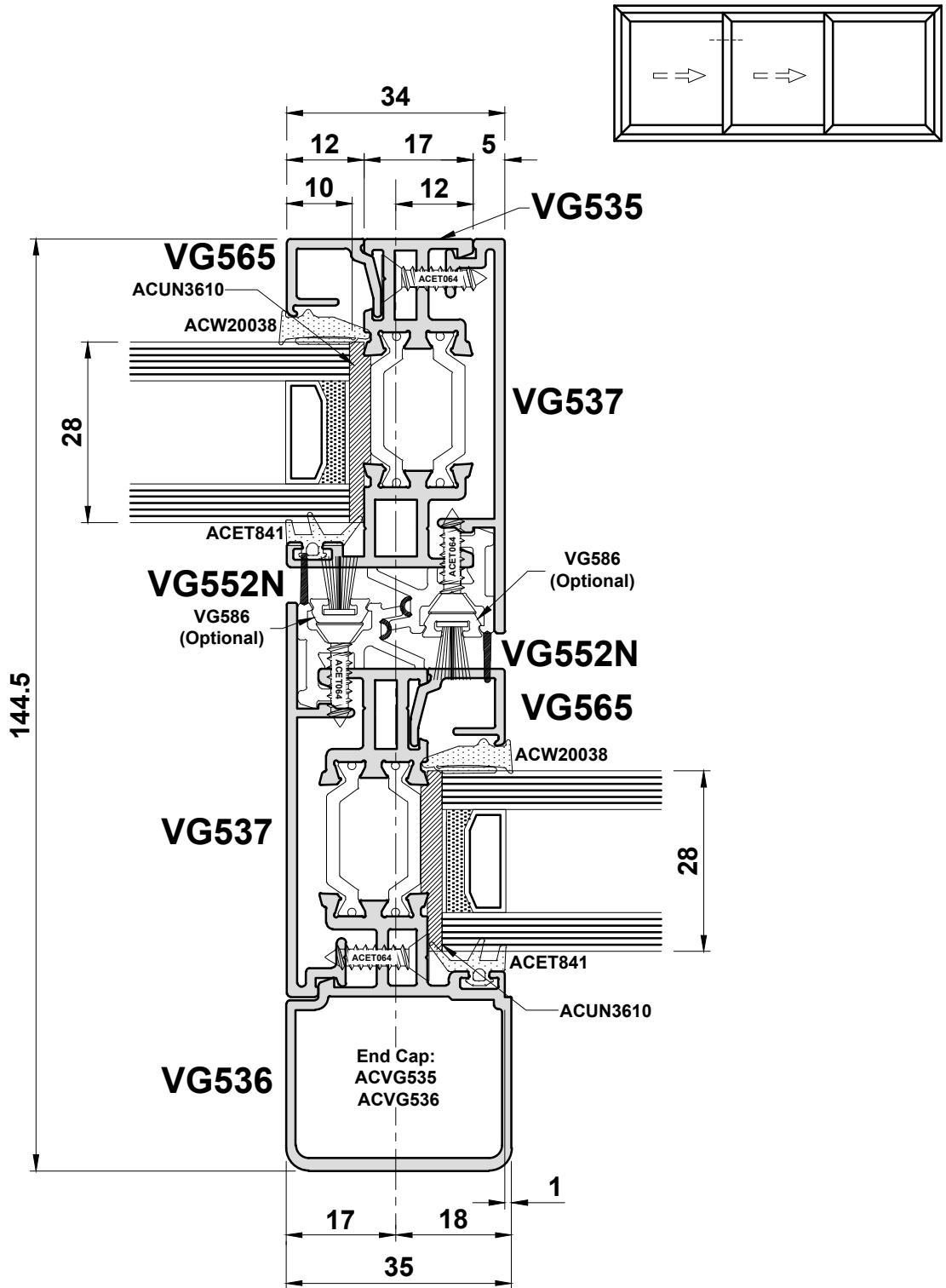
Do Not Scale From This Drawing

Detail 4C



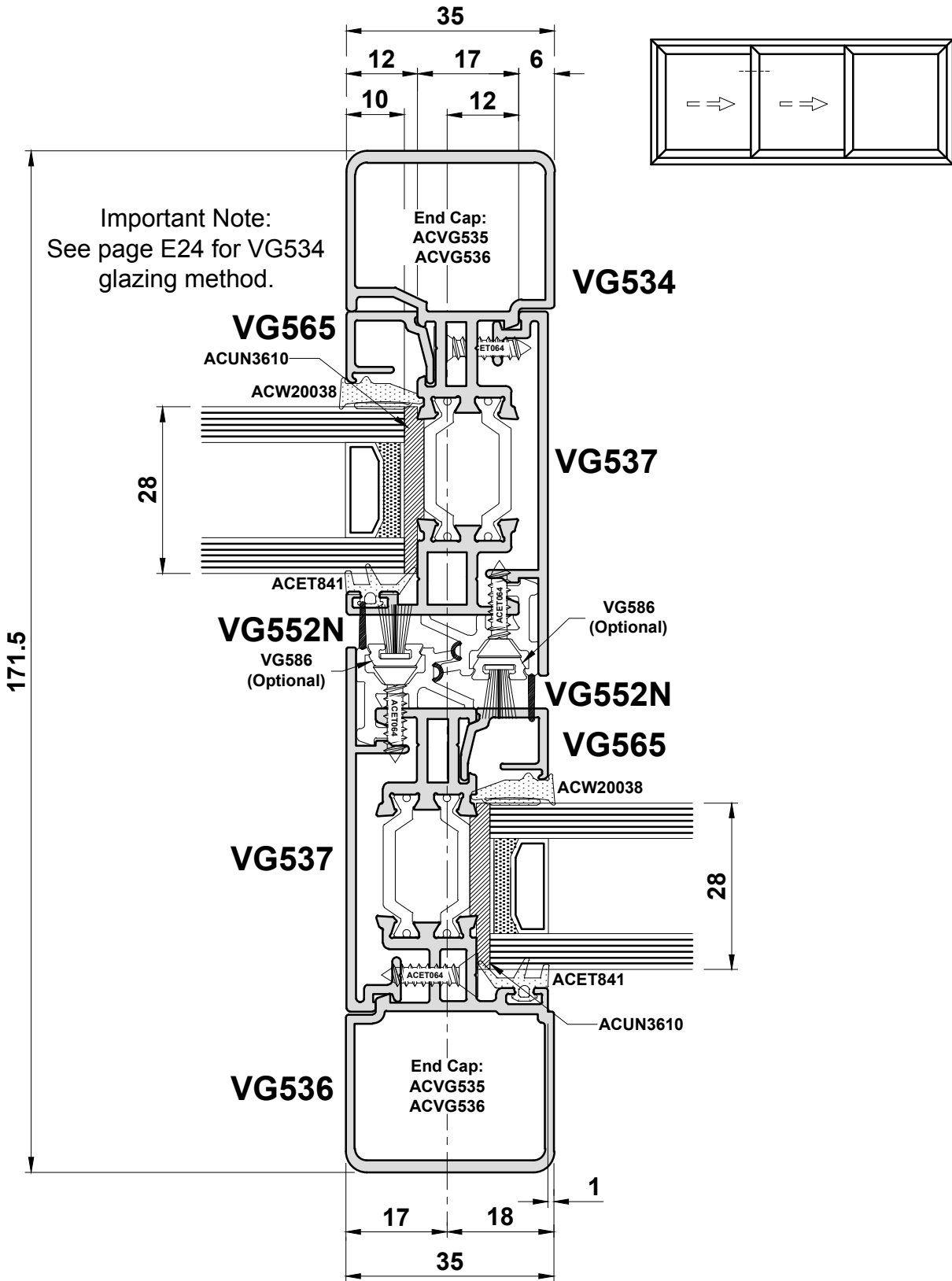
Do Not Scale From This Drawing

Detail 4D



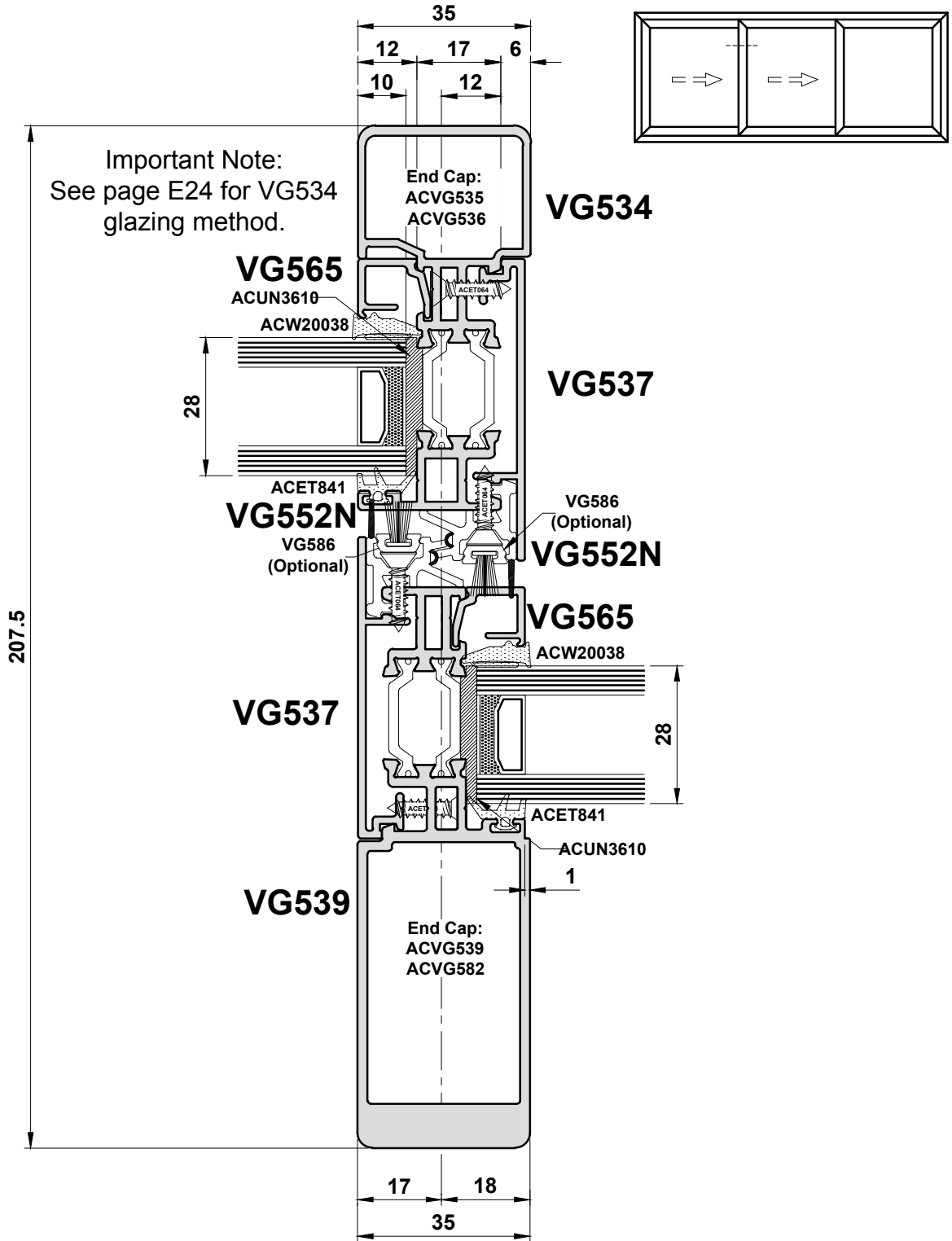
Do Not Scale From This Drawing

Detail 4E



Do Not Scale From This Drawing

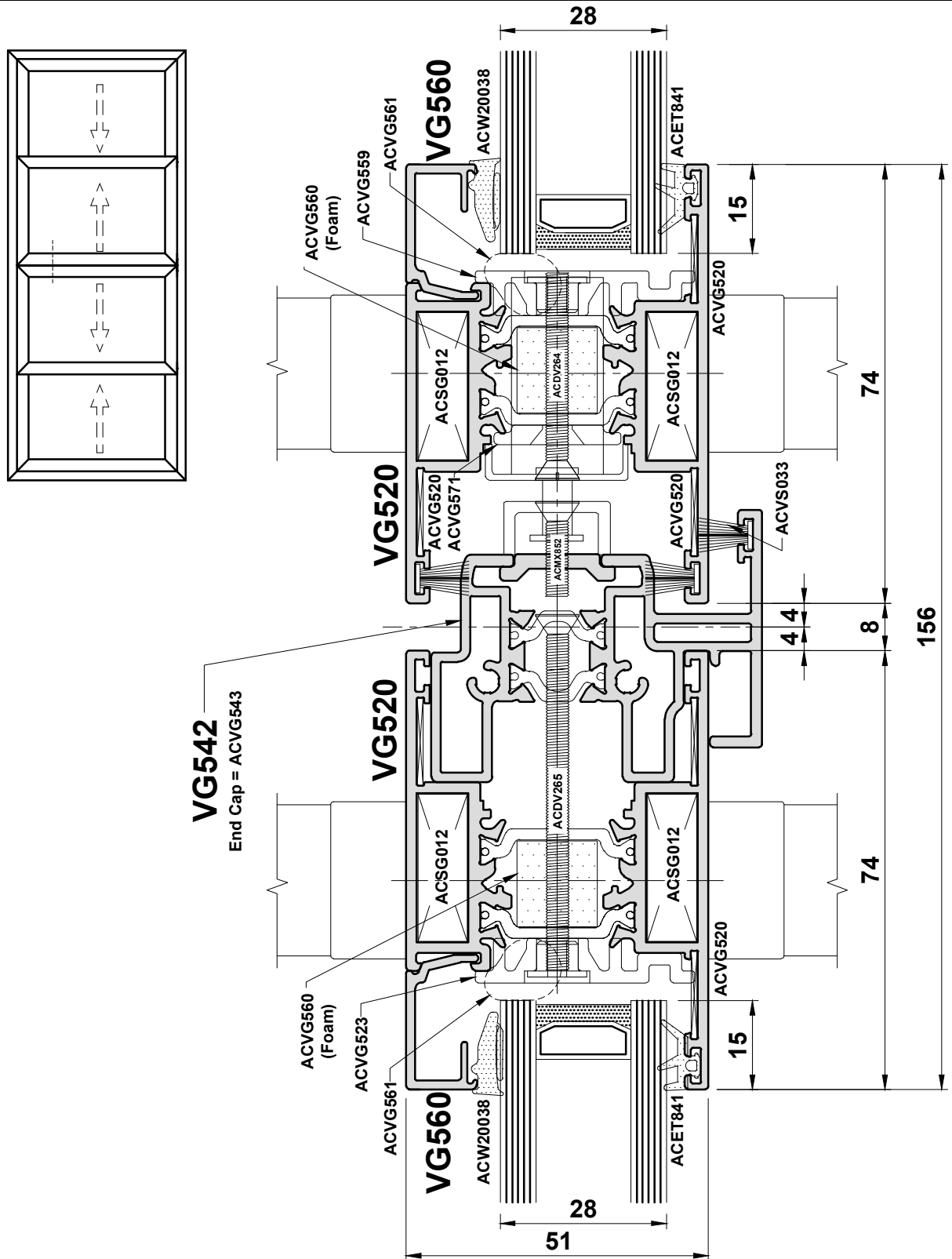
Detail 4F



Scale 1:0.8

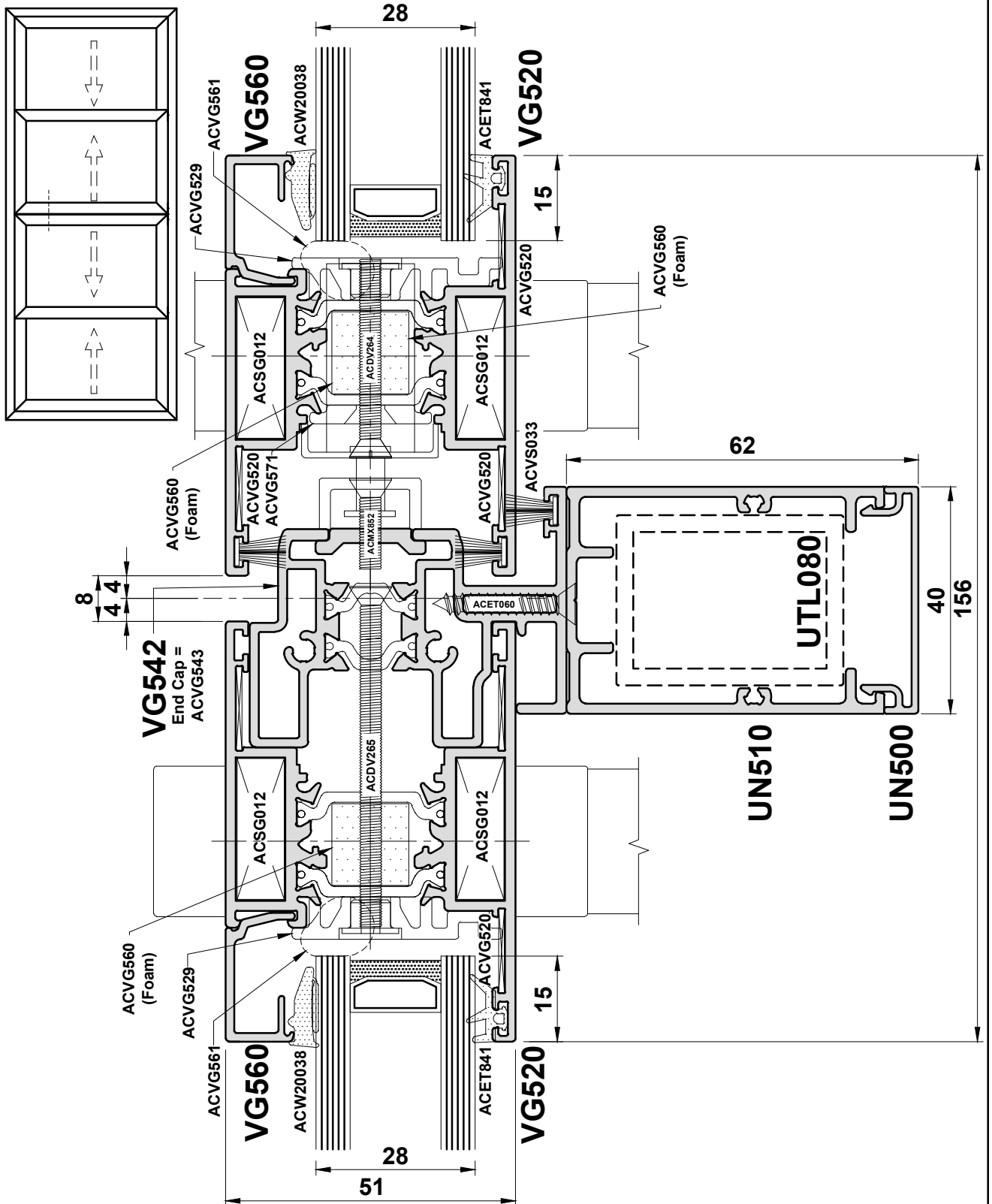
Do Not Scale From This Drawing

Detail 5B



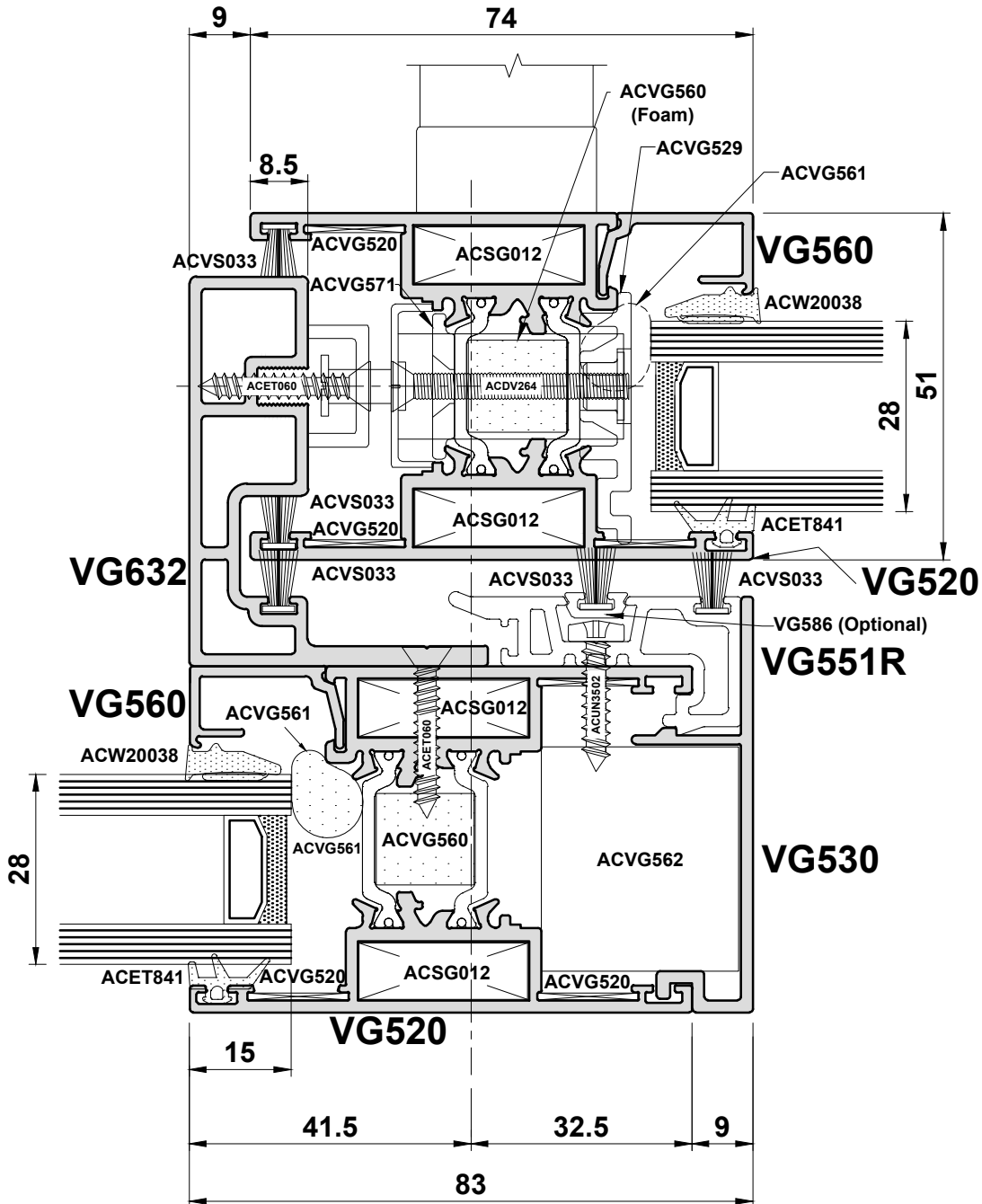
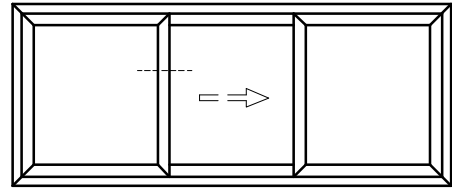
Do Not Scale From This Drawing

Detail 5D



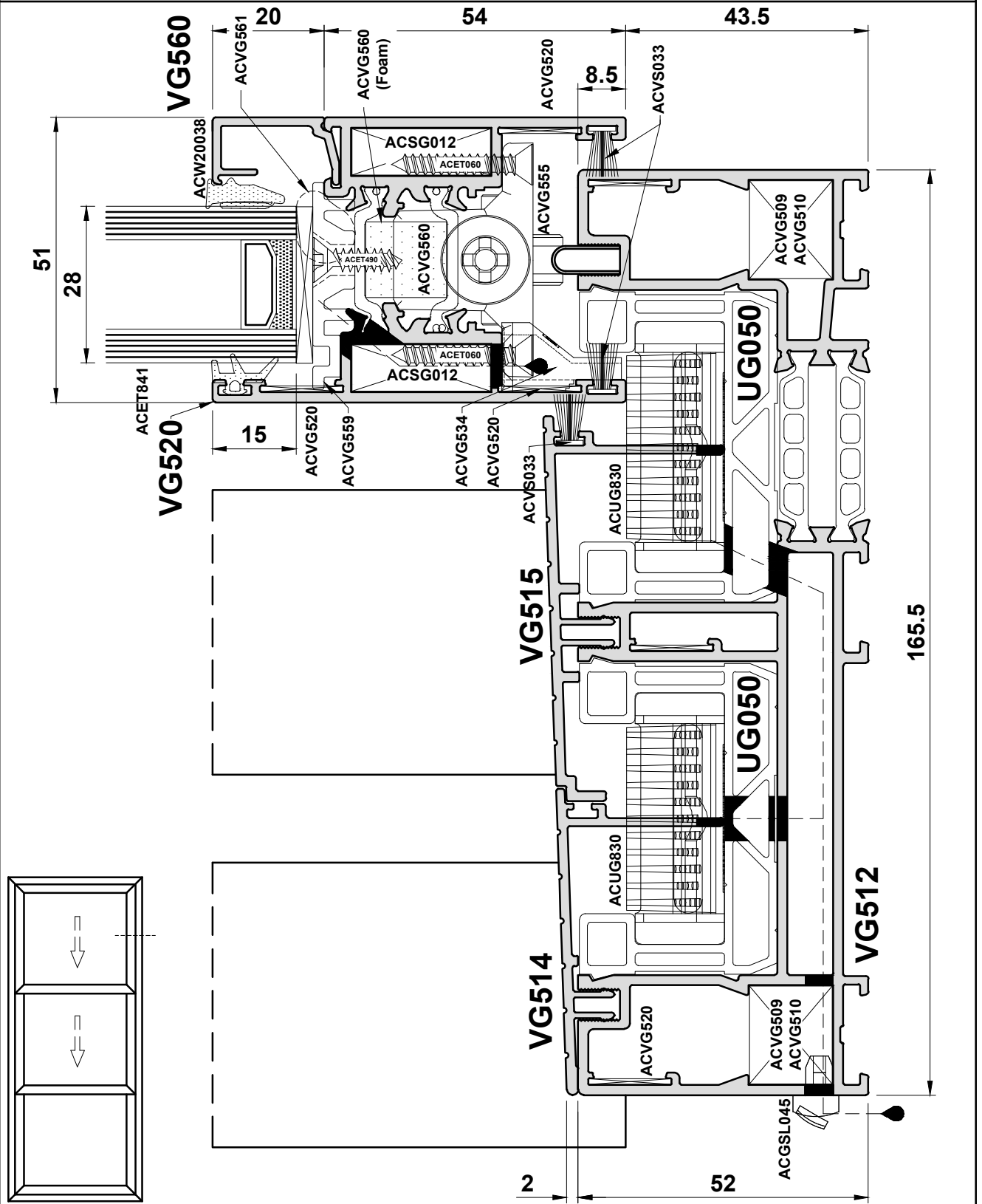
Do Not Scale From This Drawing

Detail 6



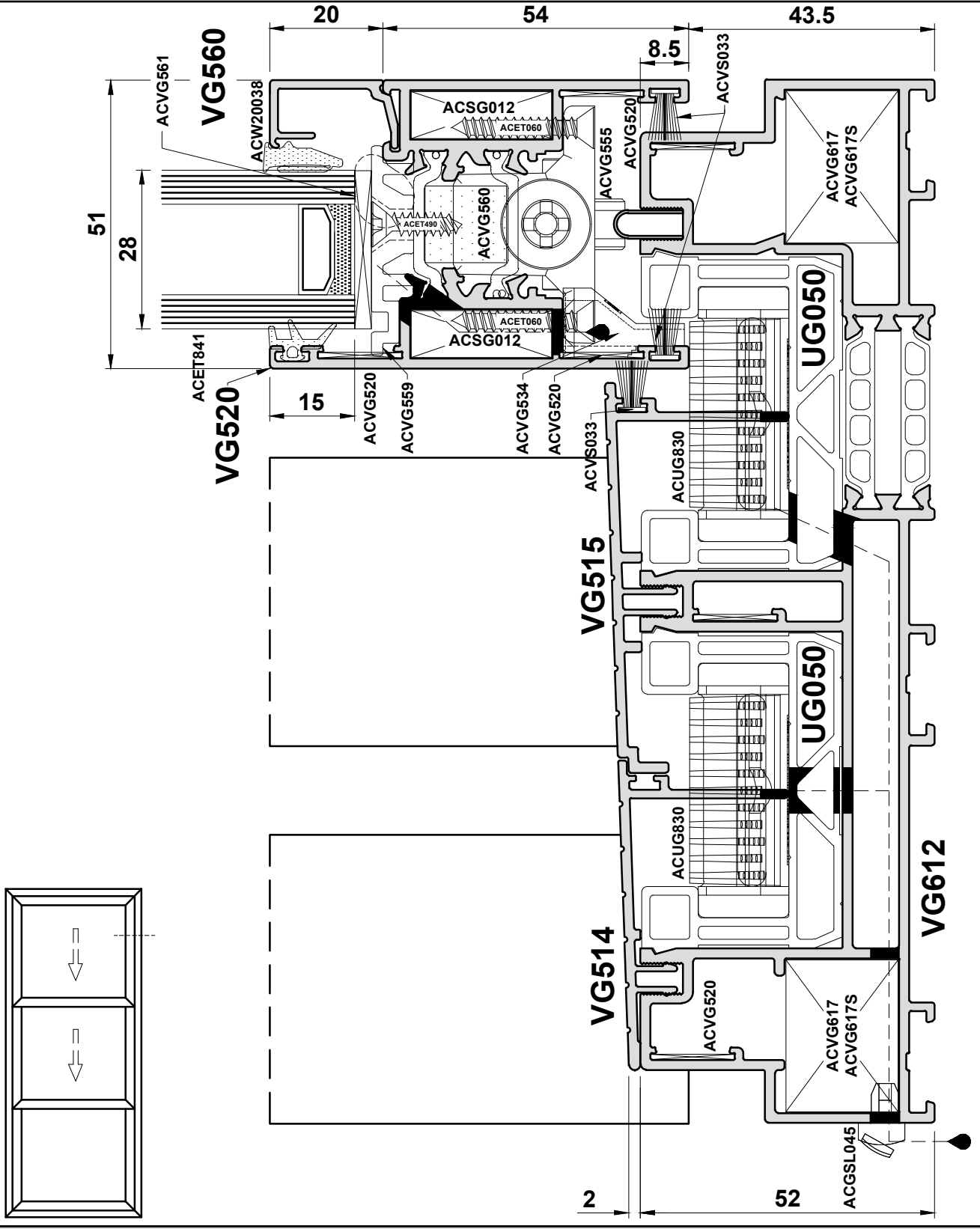
Do Not Scale From This Drawing

Detail 7A



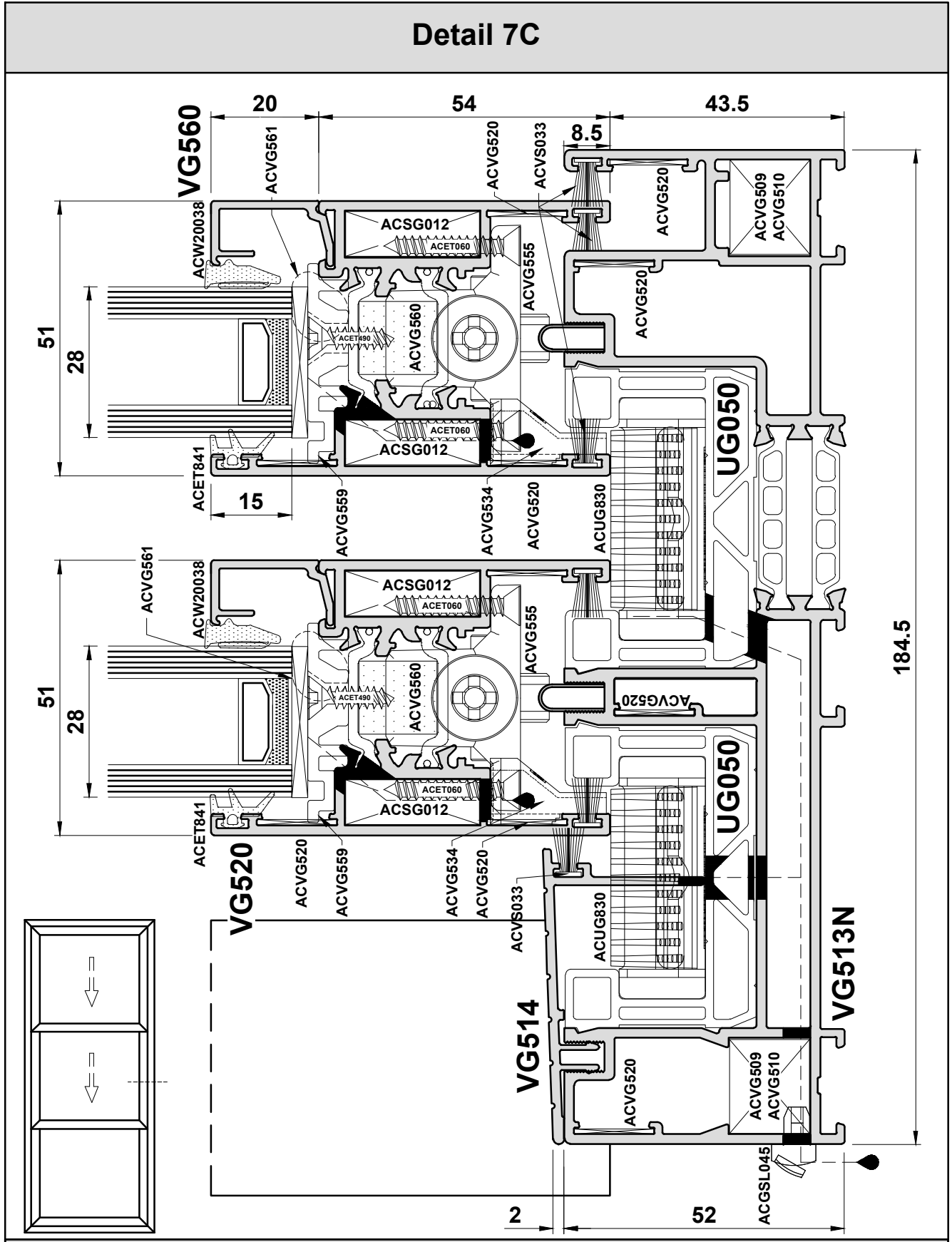
Do Not Scale From This Drawing

Detail 7B



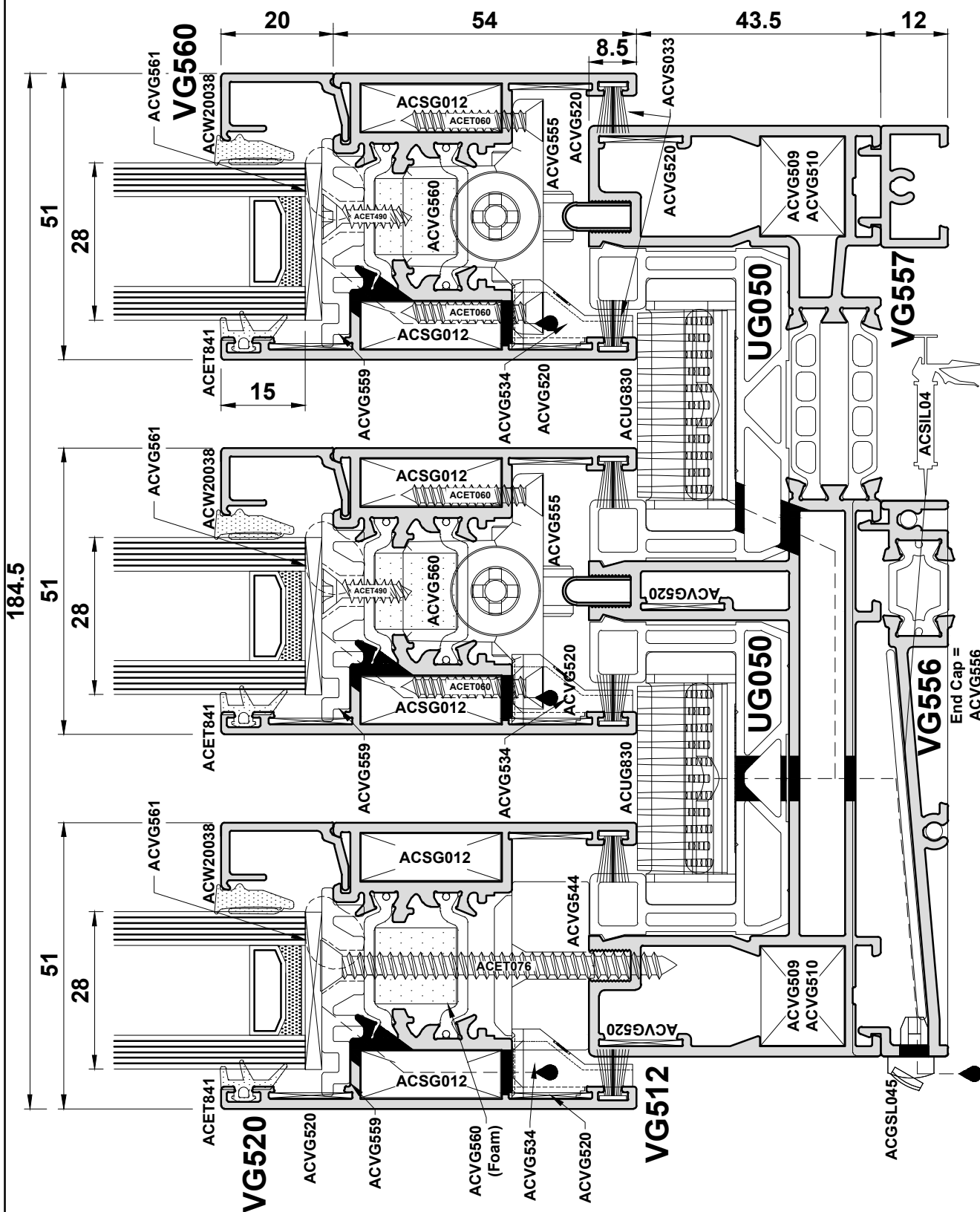
Do Not Scale From This Drawing

Detail 7C



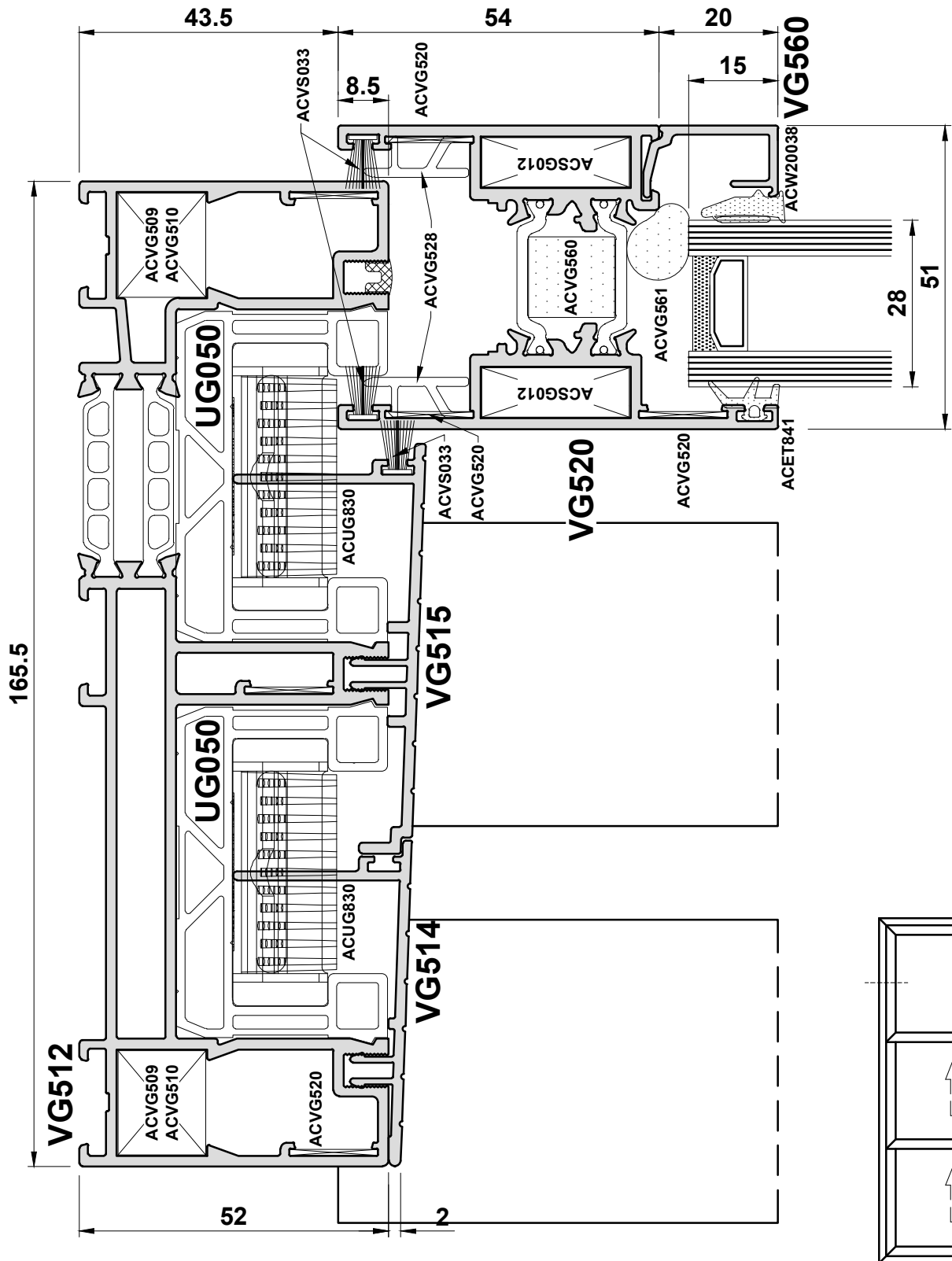
Do Not Scale From This Drawing

Detail 7D



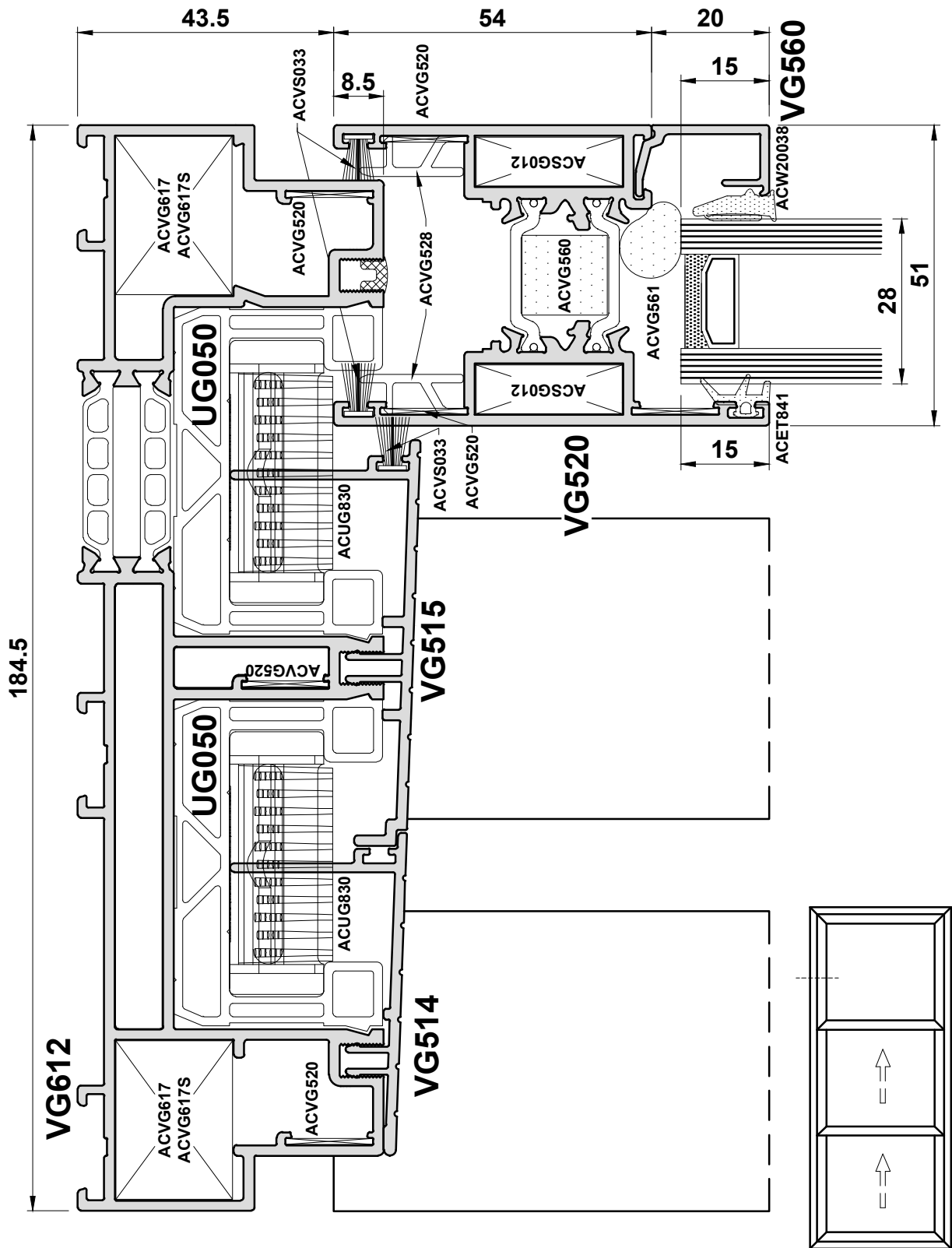
Do Not Scale From This Drawing

Detail 8A



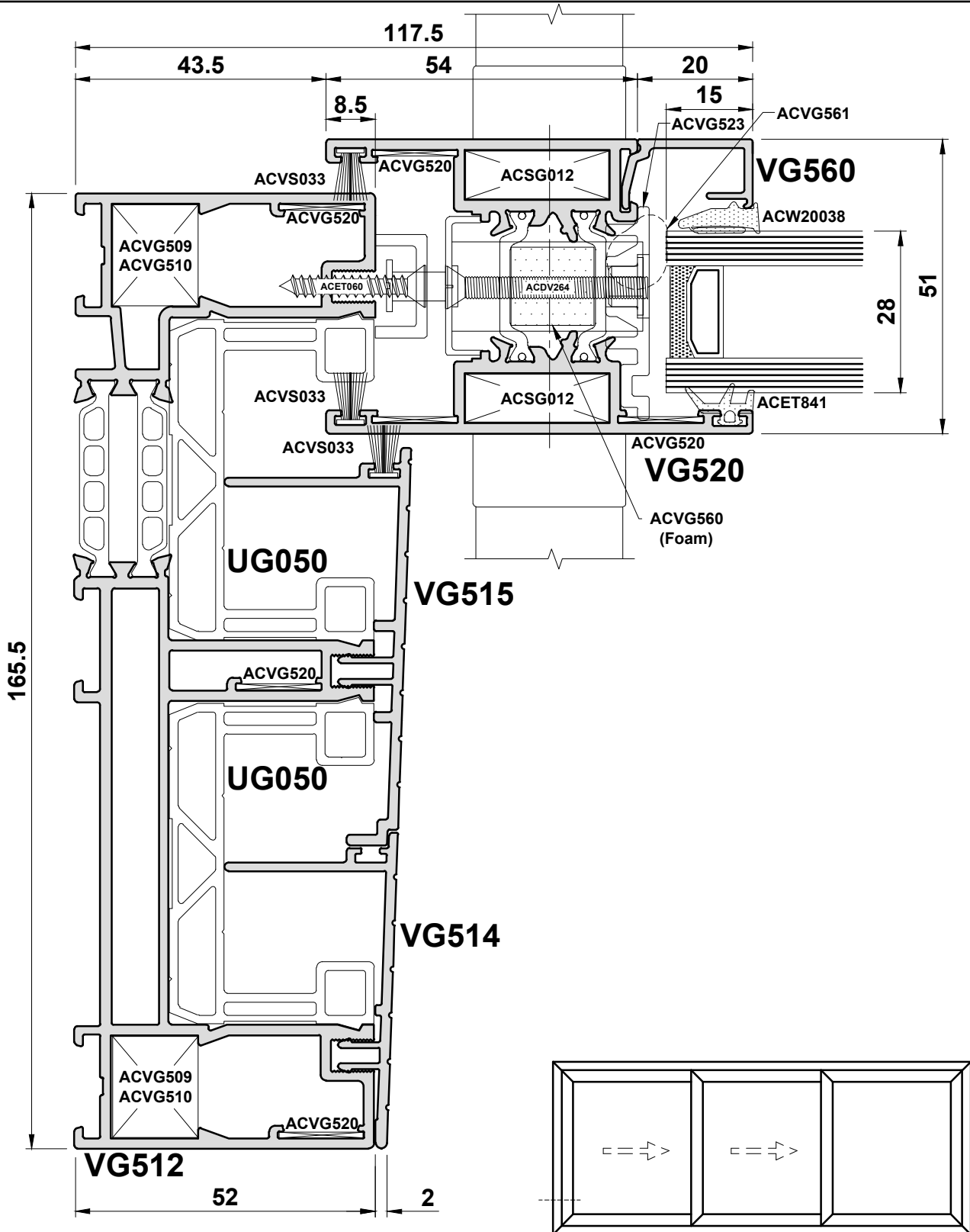
Do Not Scale From This Drawing

Detail 8B



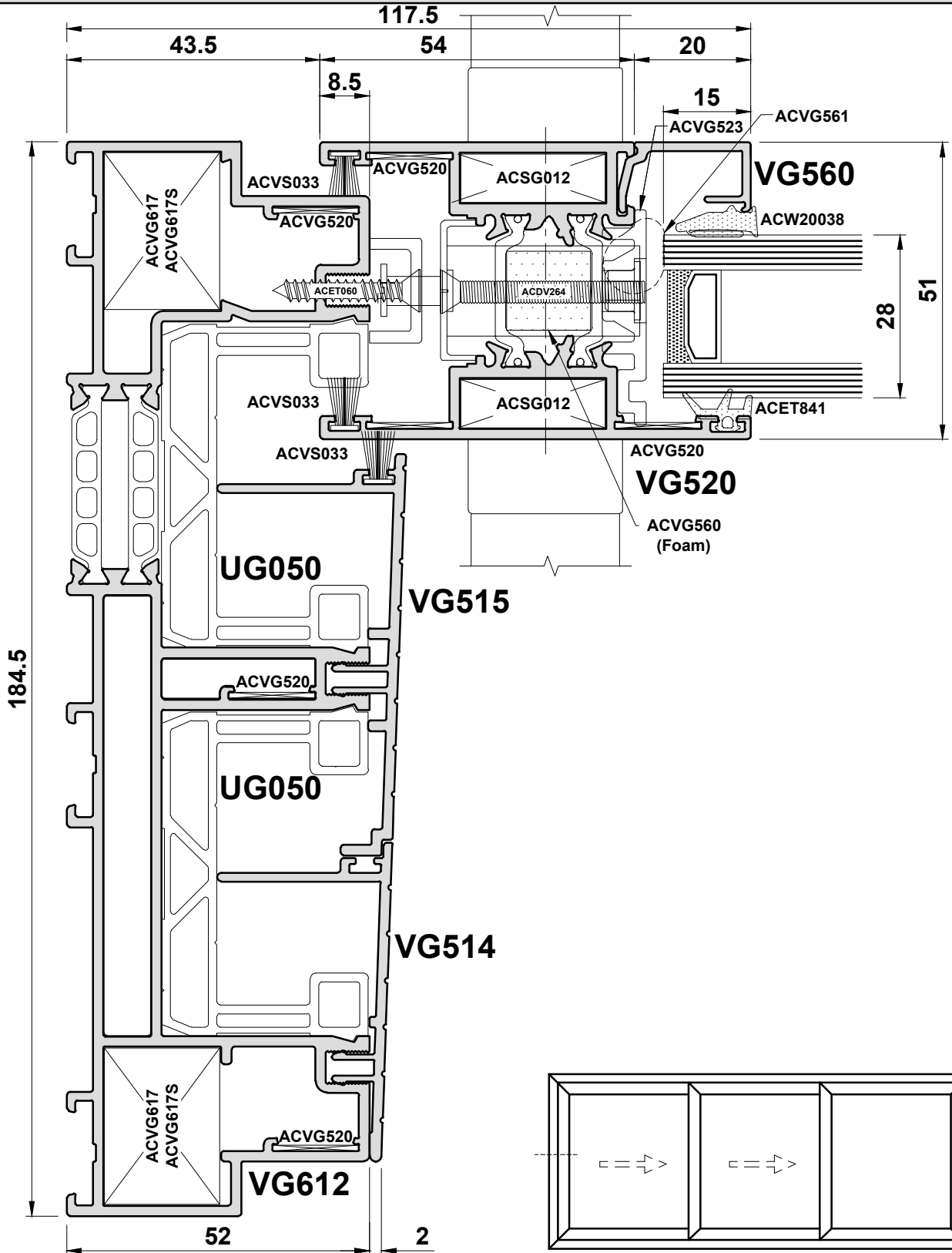
Do Not Scale From This Drawing

Detail 9A



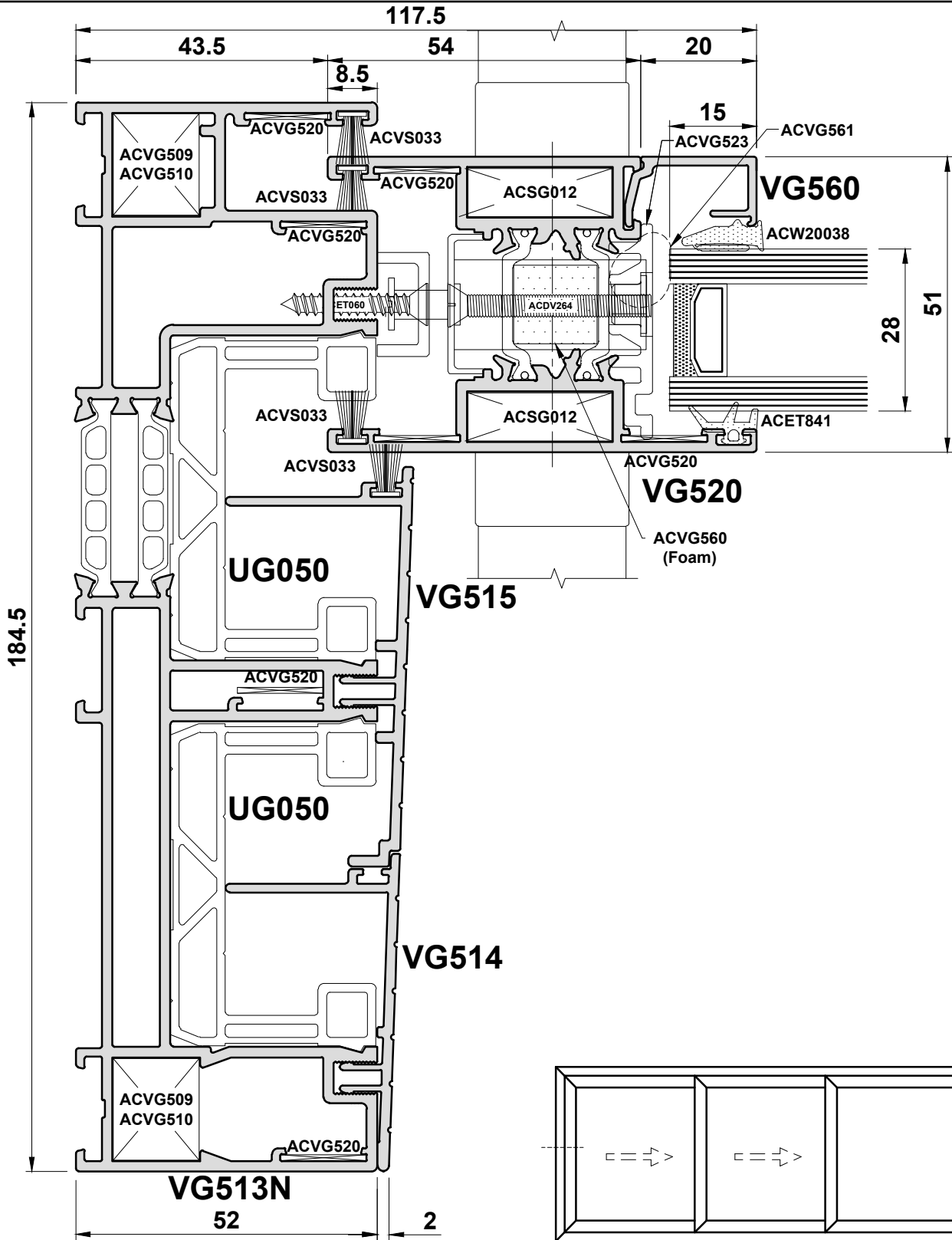
Do Not Scale From This Drawing

Detail 9B



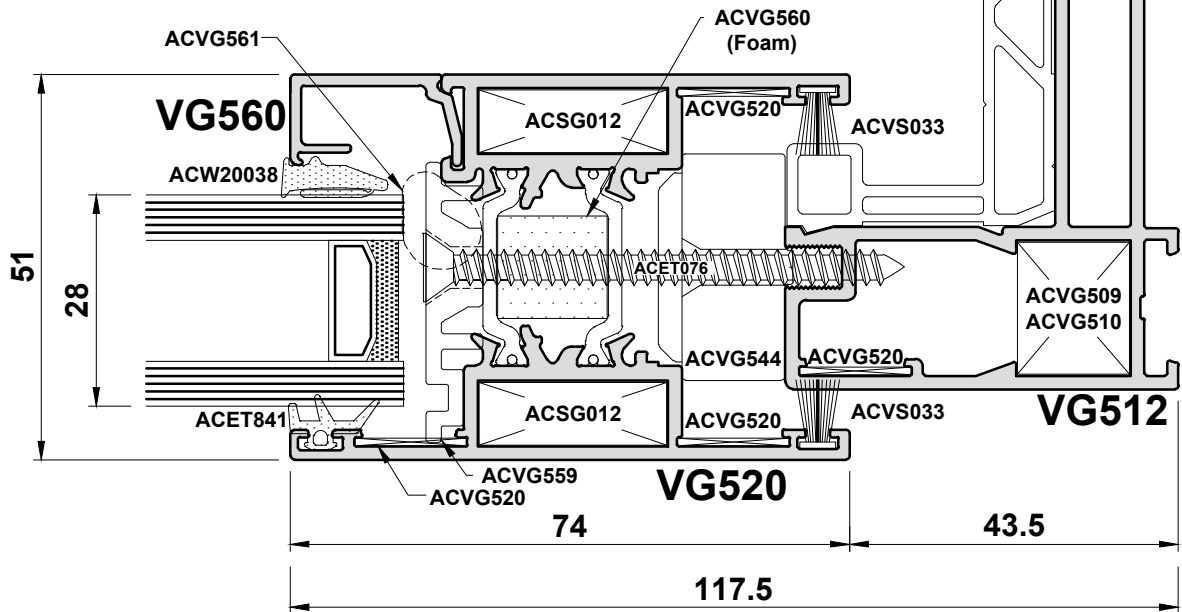
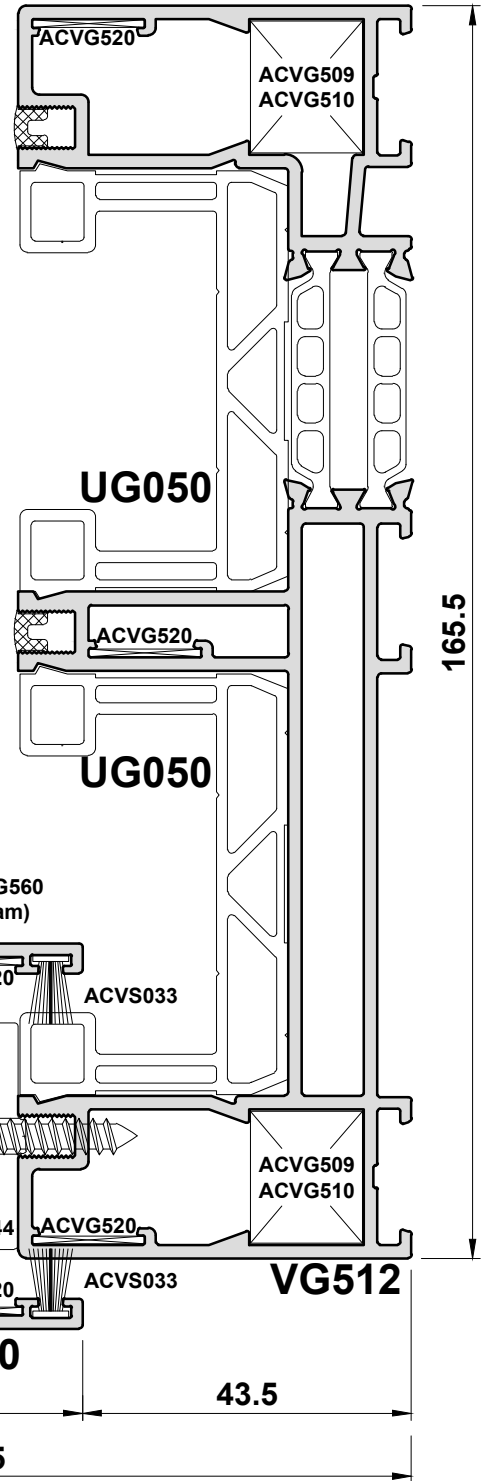
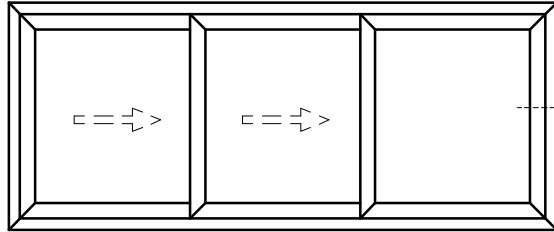
Do Not Scale From This Drawing

Detail 9C



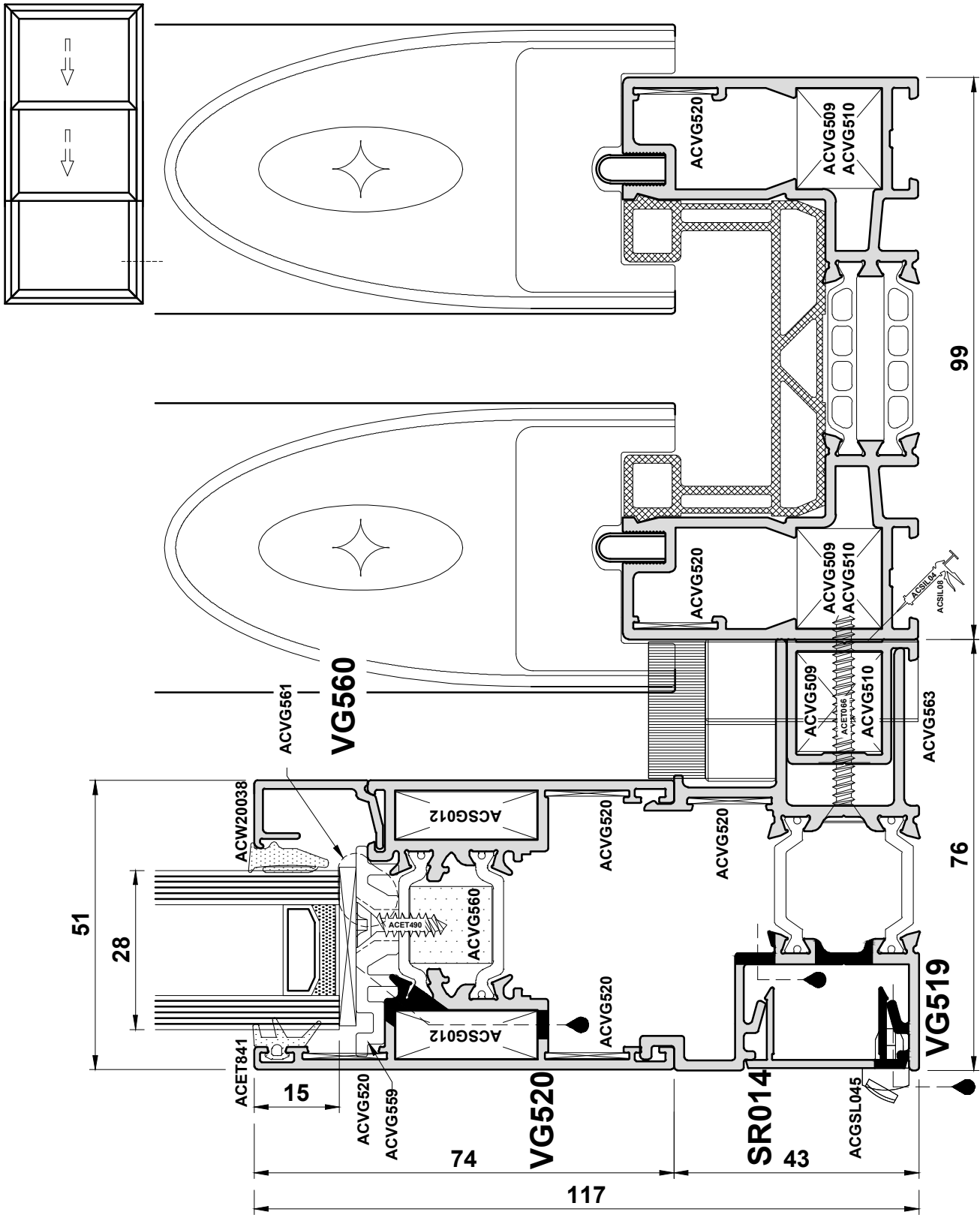
Do Not Scale From This Drawing

Detail 10



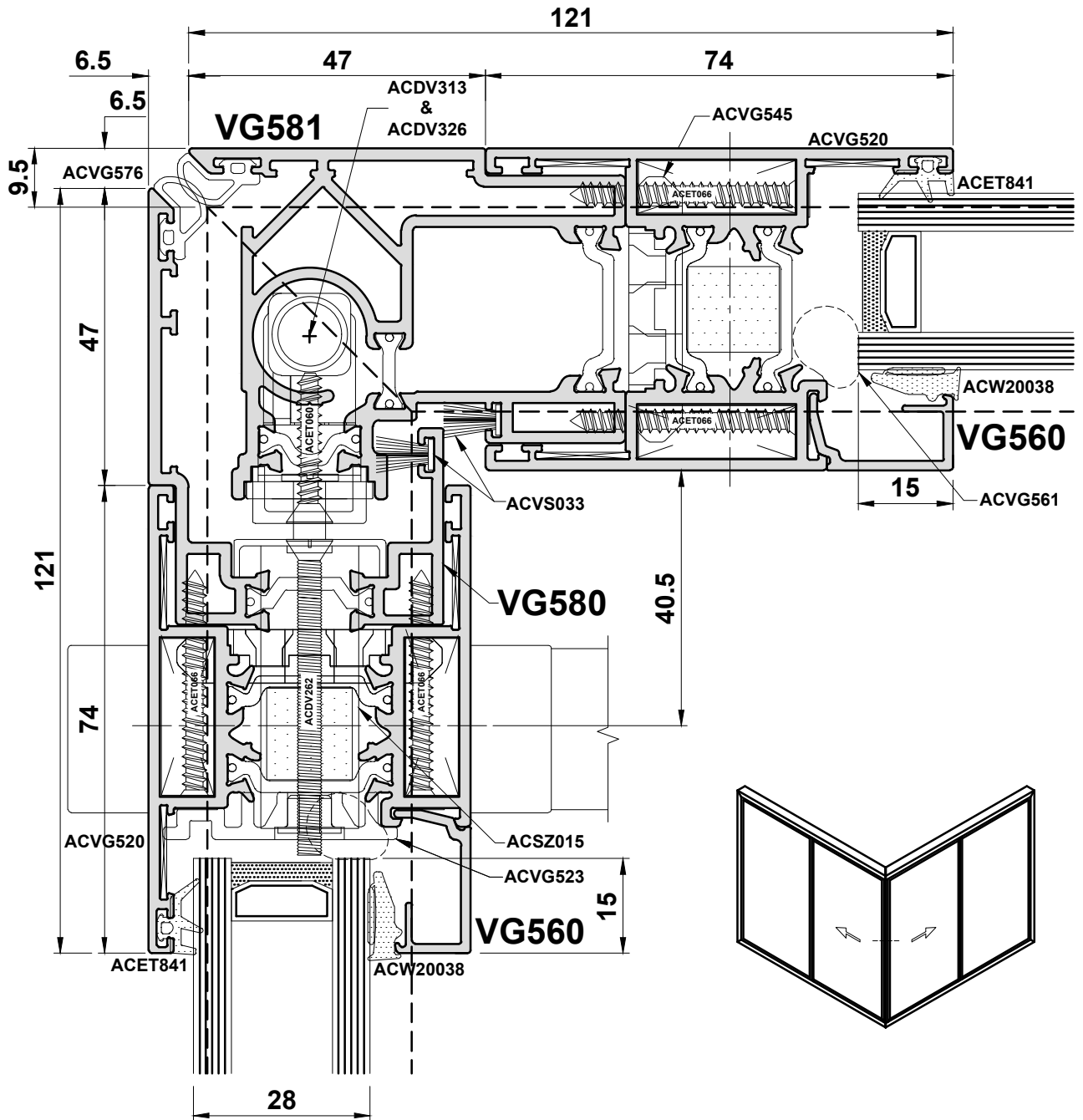
Do Not Scale From This Drawing

Detail 11



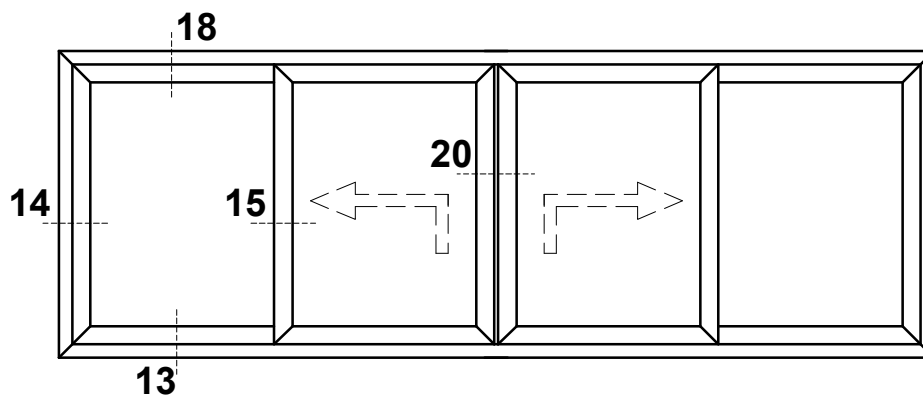
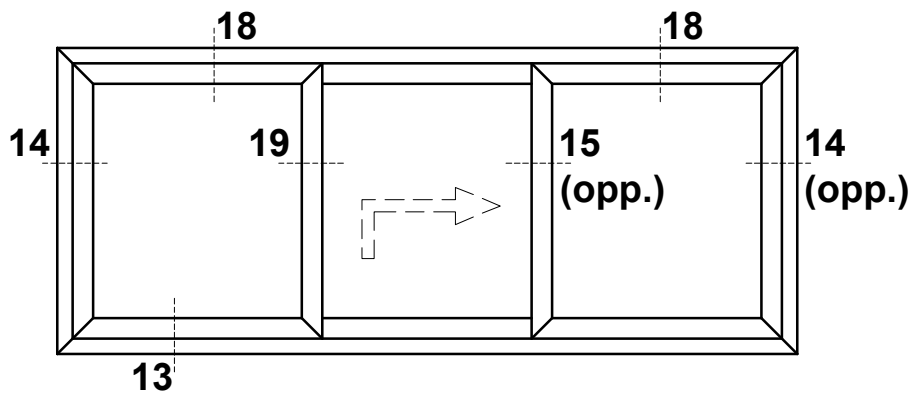
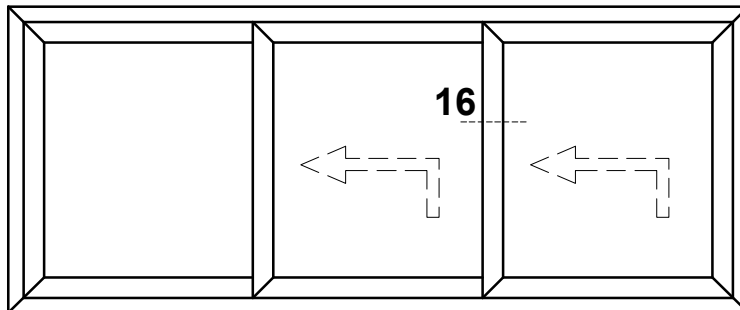
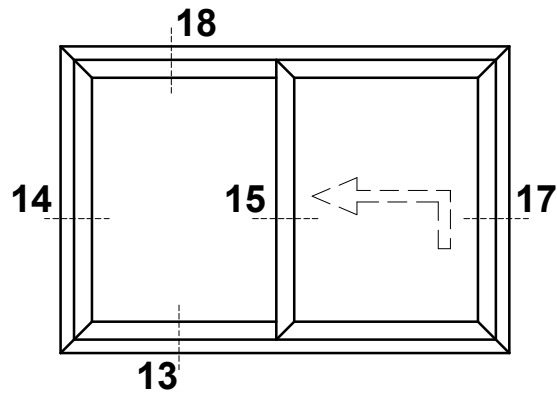
Do Not Scale From This Drawing

Detail 12



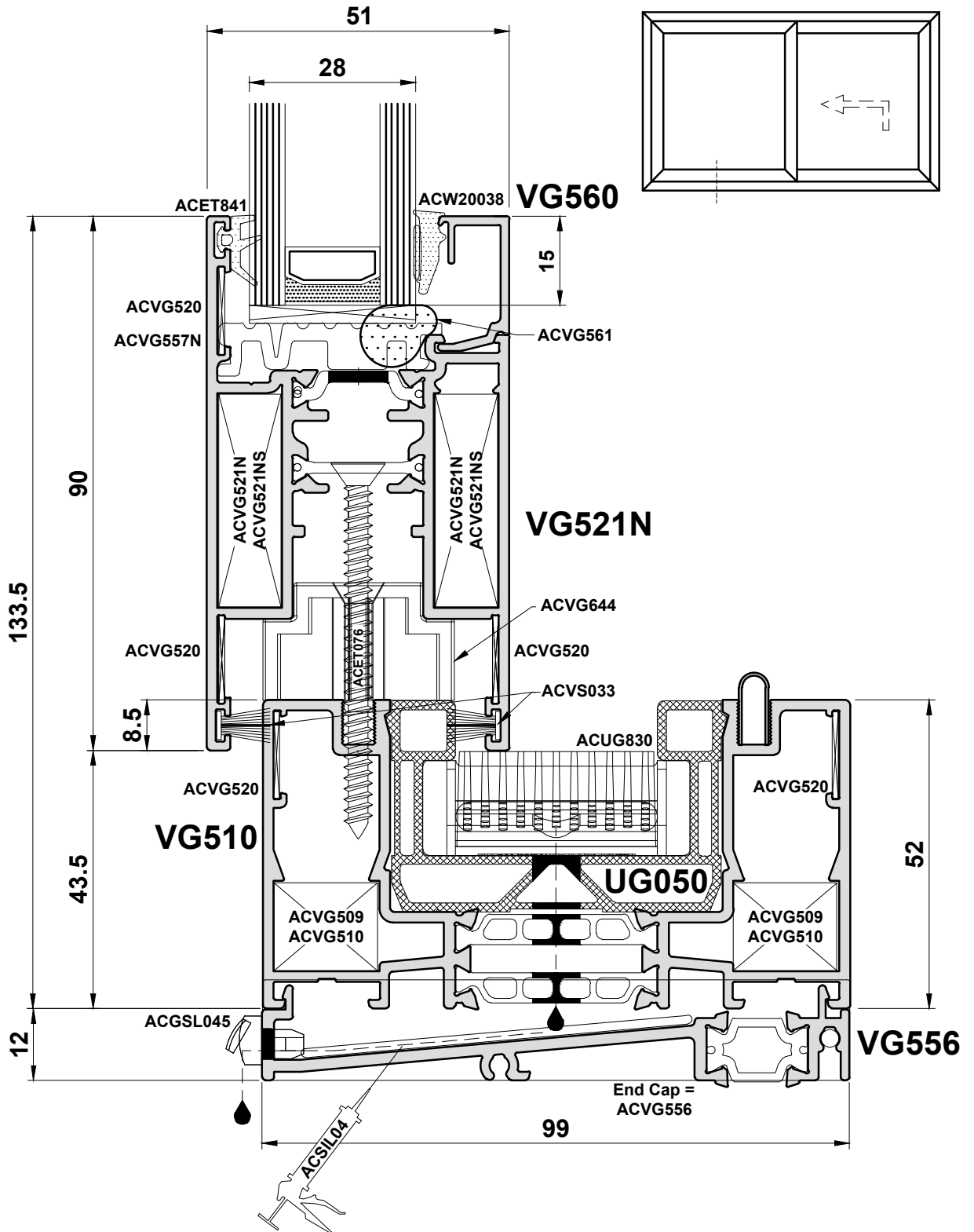
Do Not Scale From This Drawing

Scale Elevations



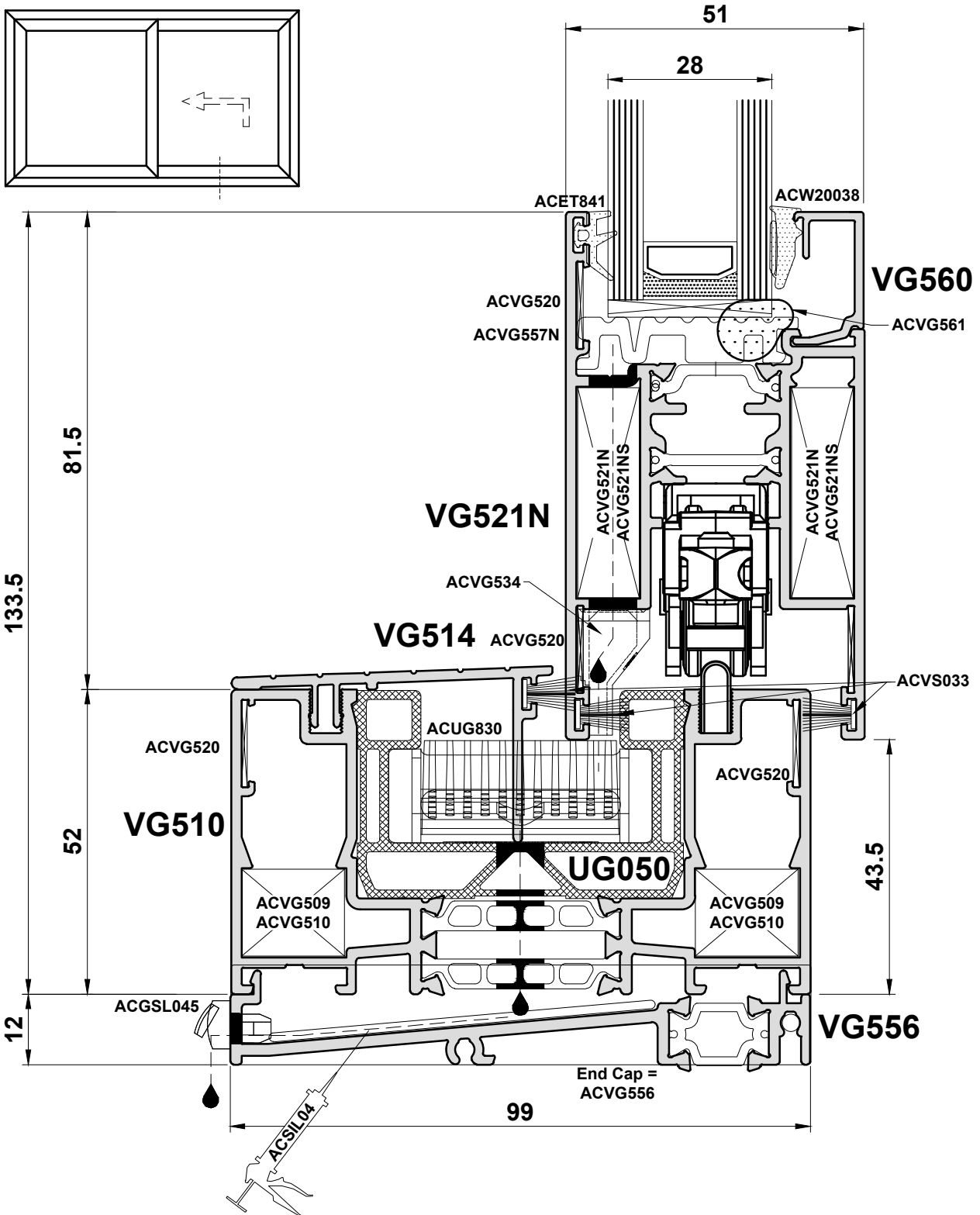
Do Not Scale From This Drawing

Detail 13A



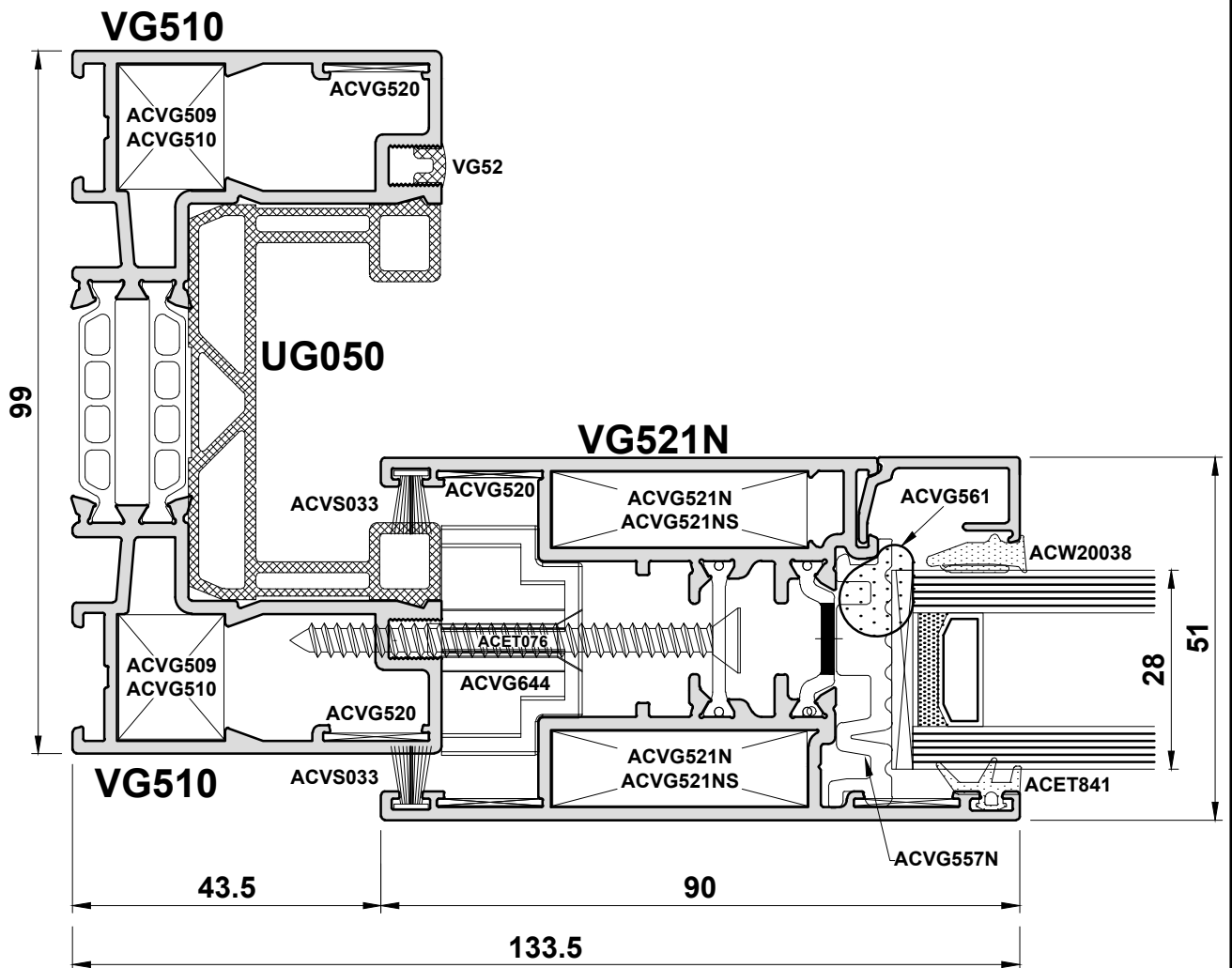
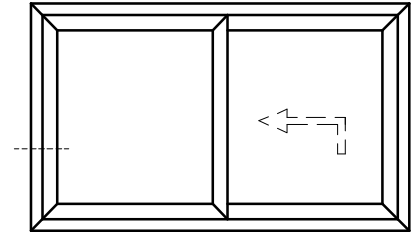
Do Not Scale From This Drawing

Detail 13B



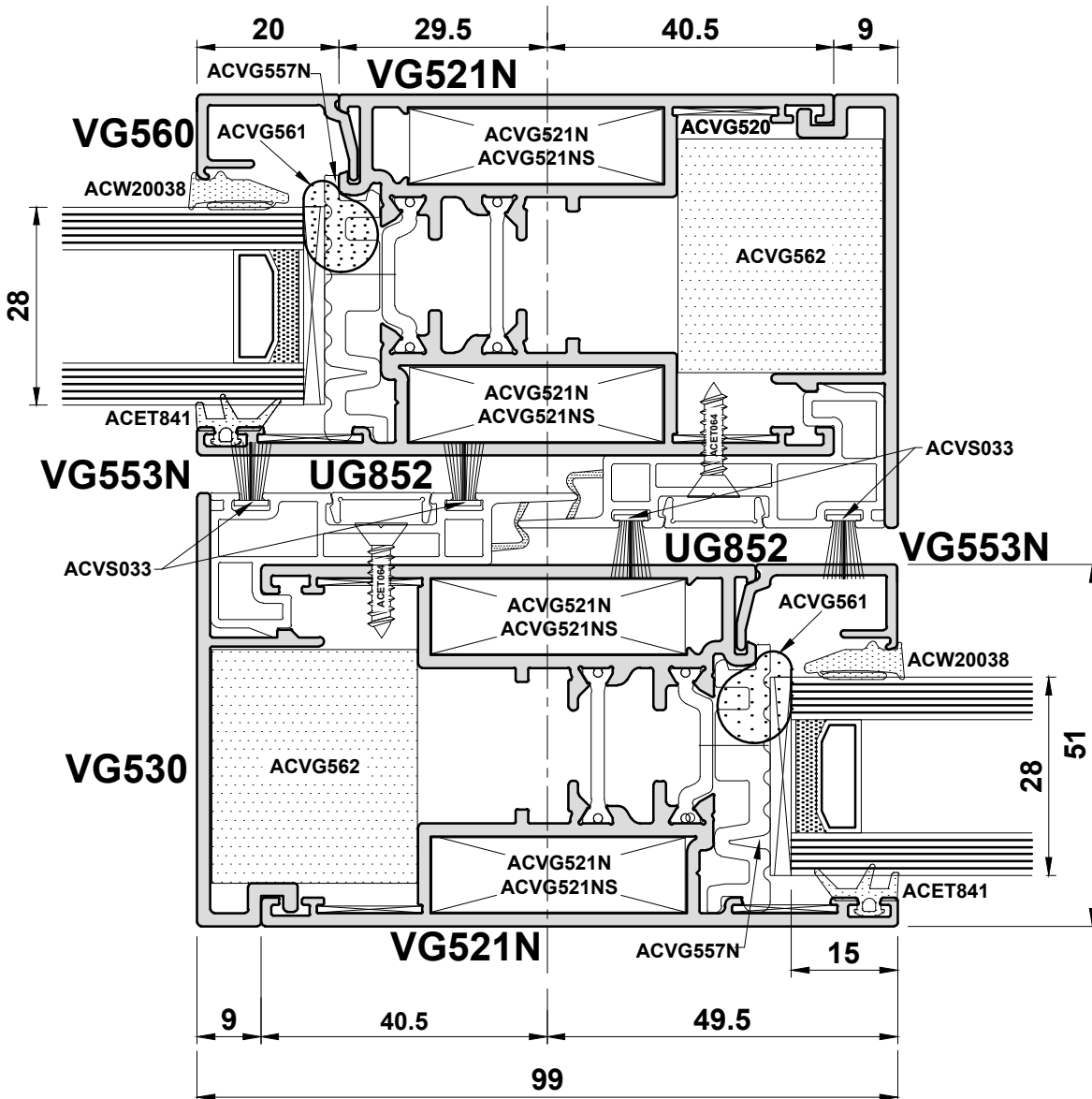
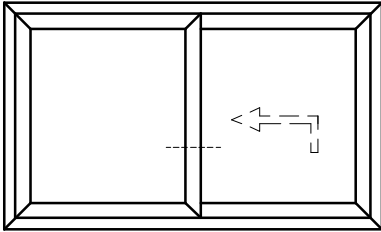
Do Not Scale From This Drawing

Detail 14



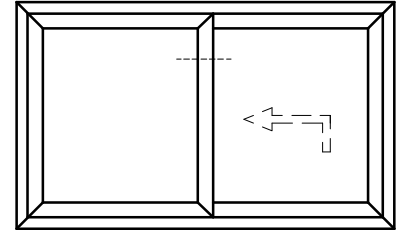
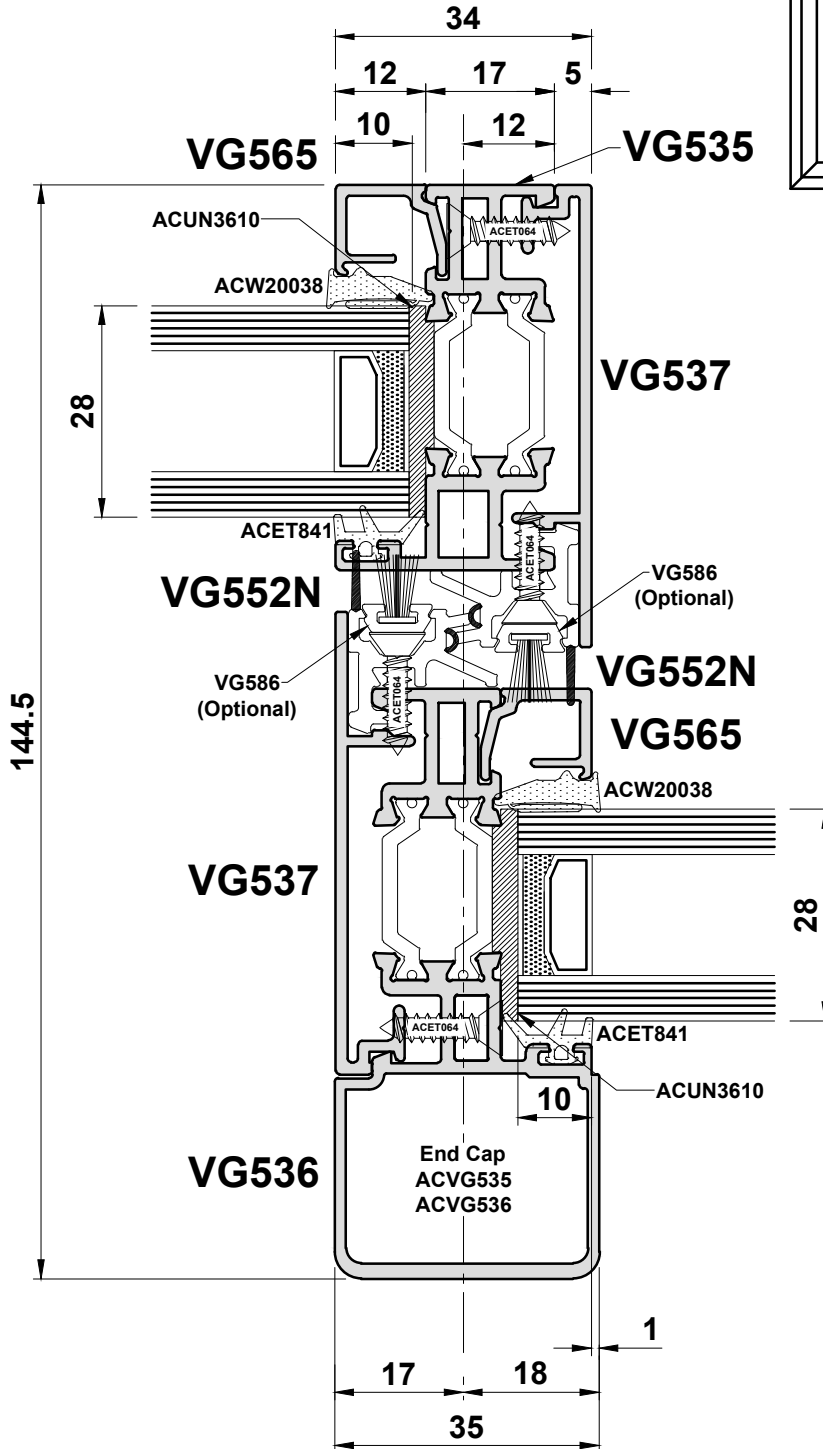
Do Not Scale From This Drawing

Detail 15A



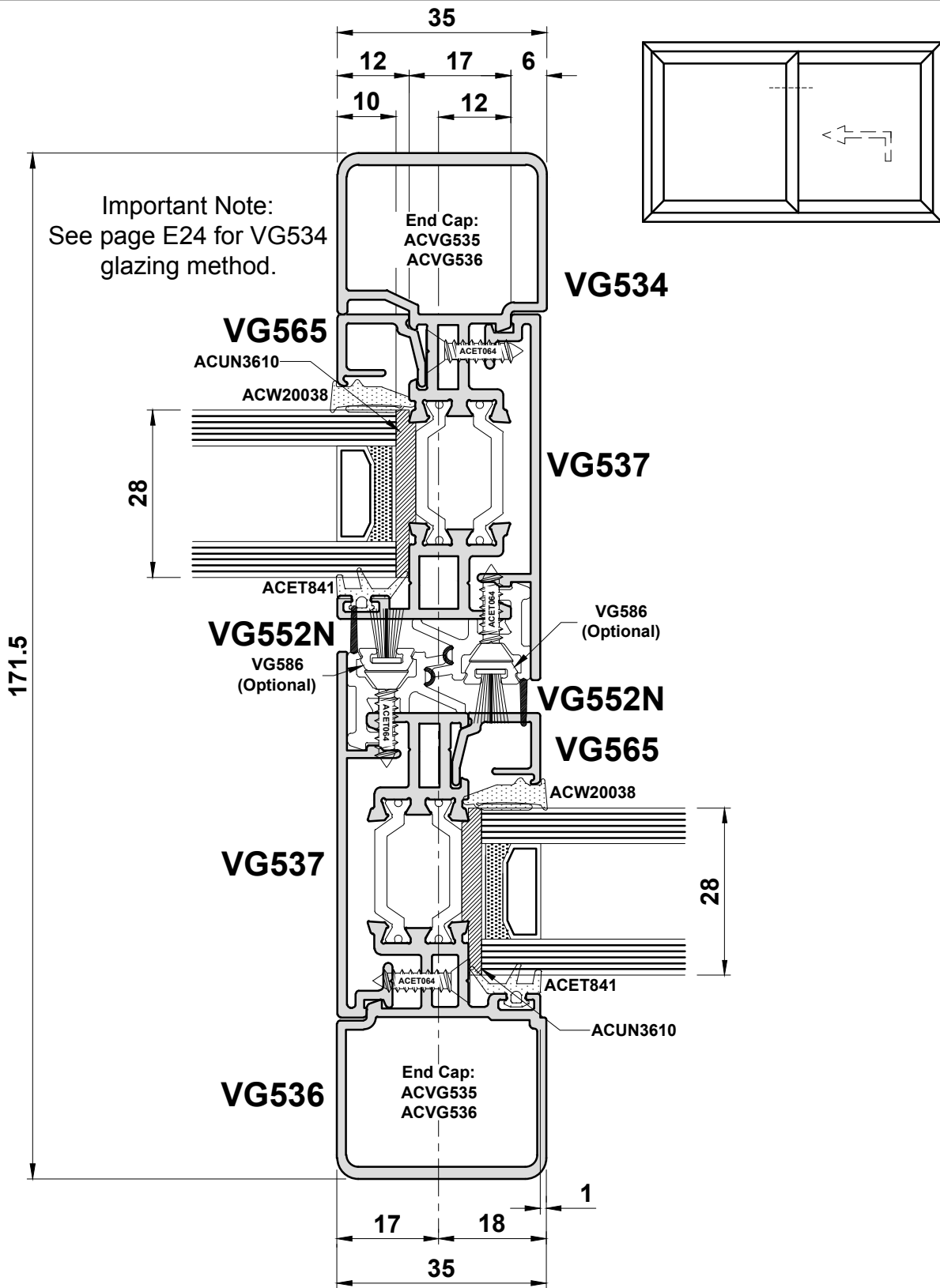
Do Not Scale From This Drawing

Detail 15B



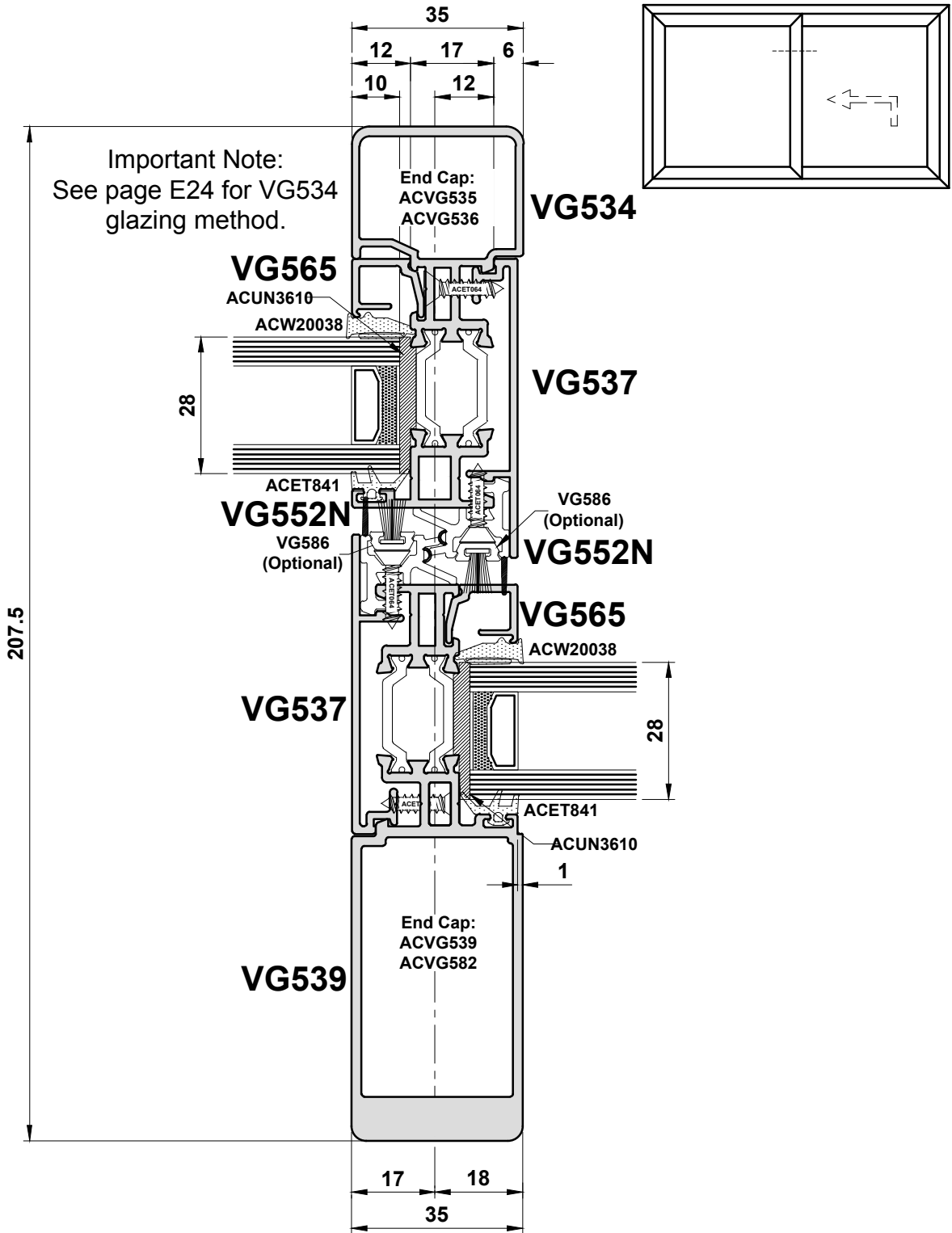
Do Not Scale From This Drawing

Detail 15C



Do Not Scale From This Drawing

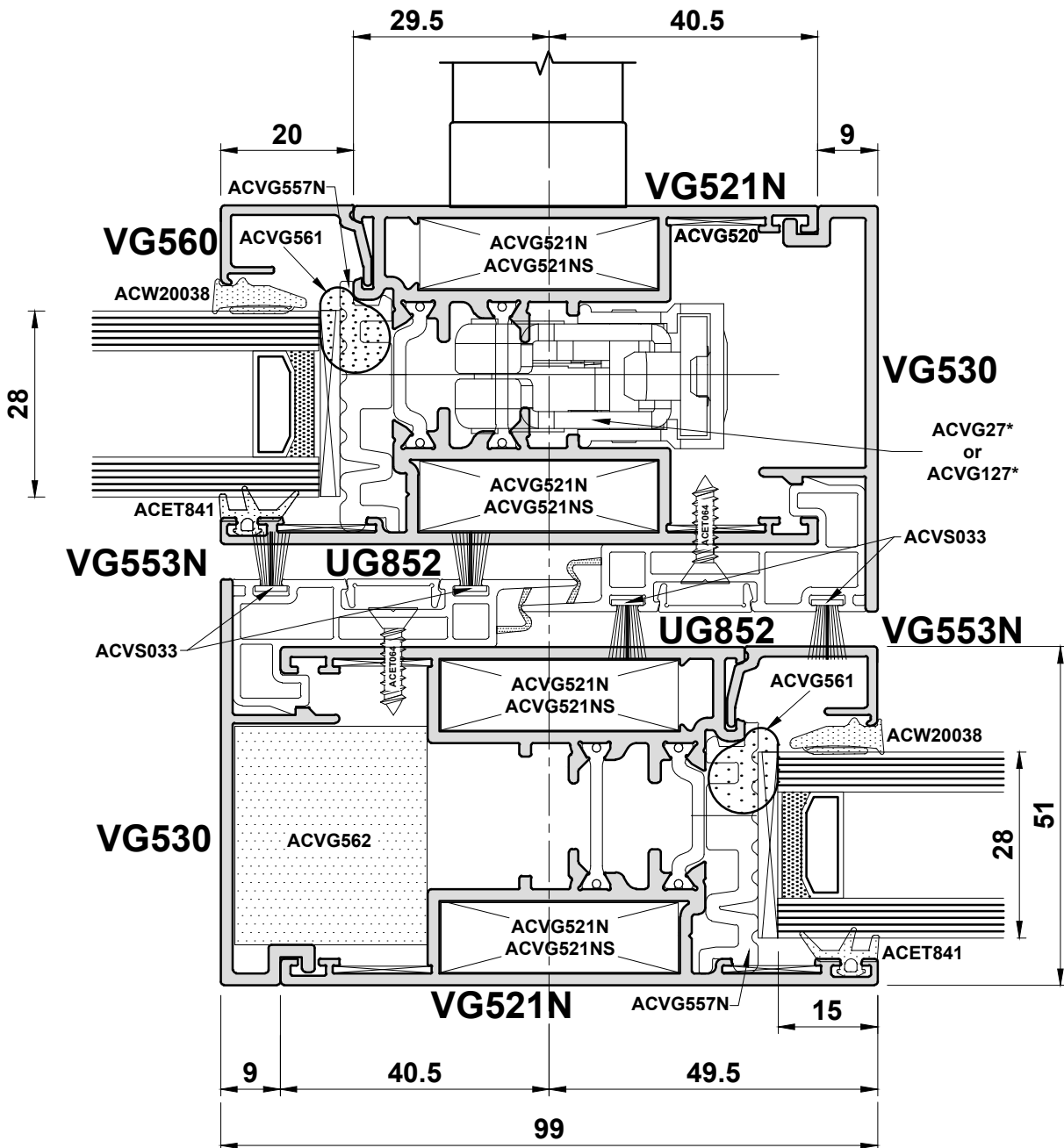
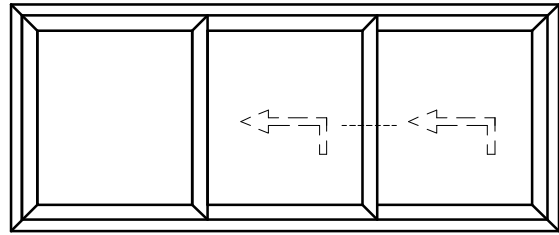
Detail 15D



Scale 1:0.8

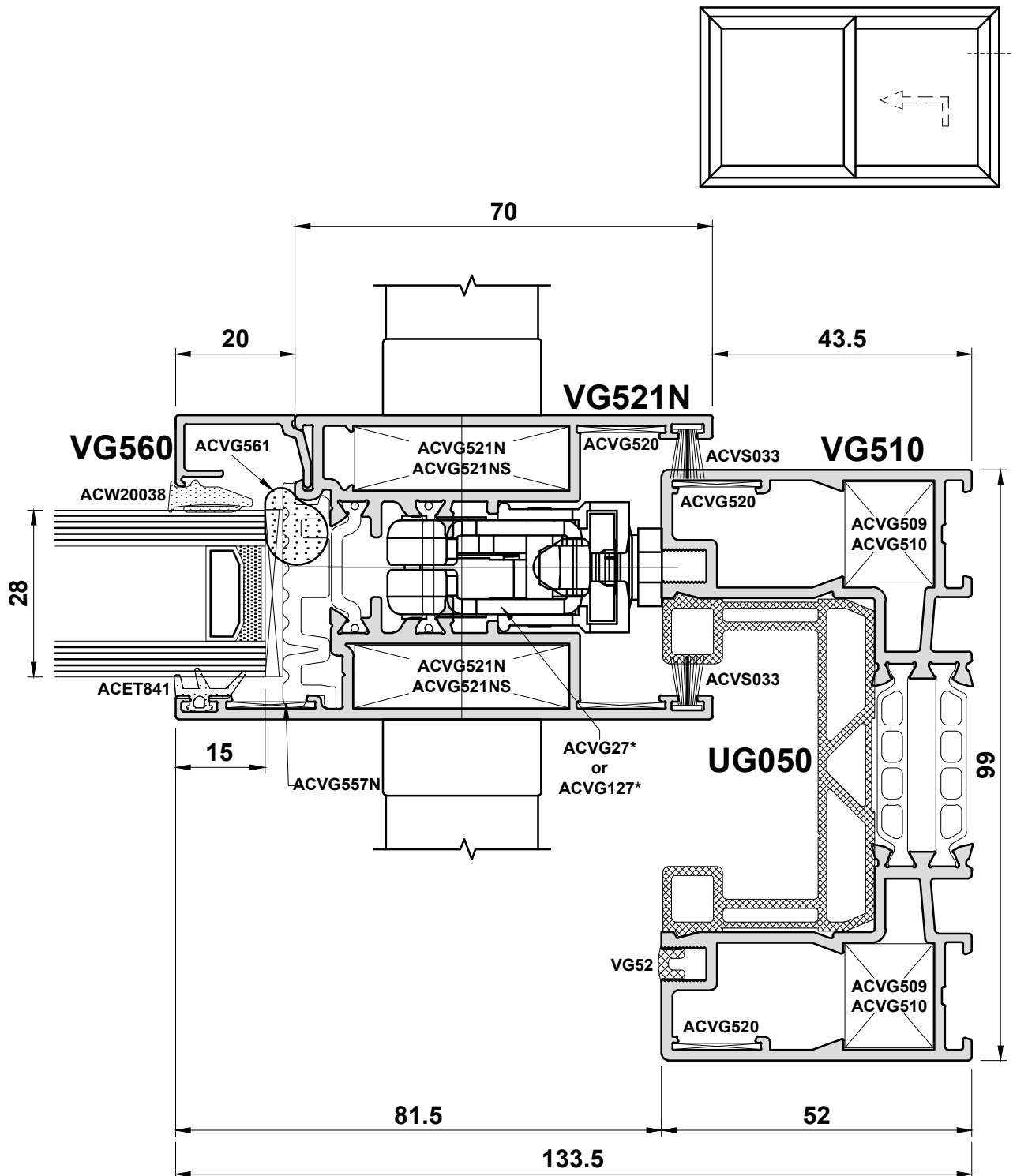
Do Not Scale From This Drawing

Detail 16



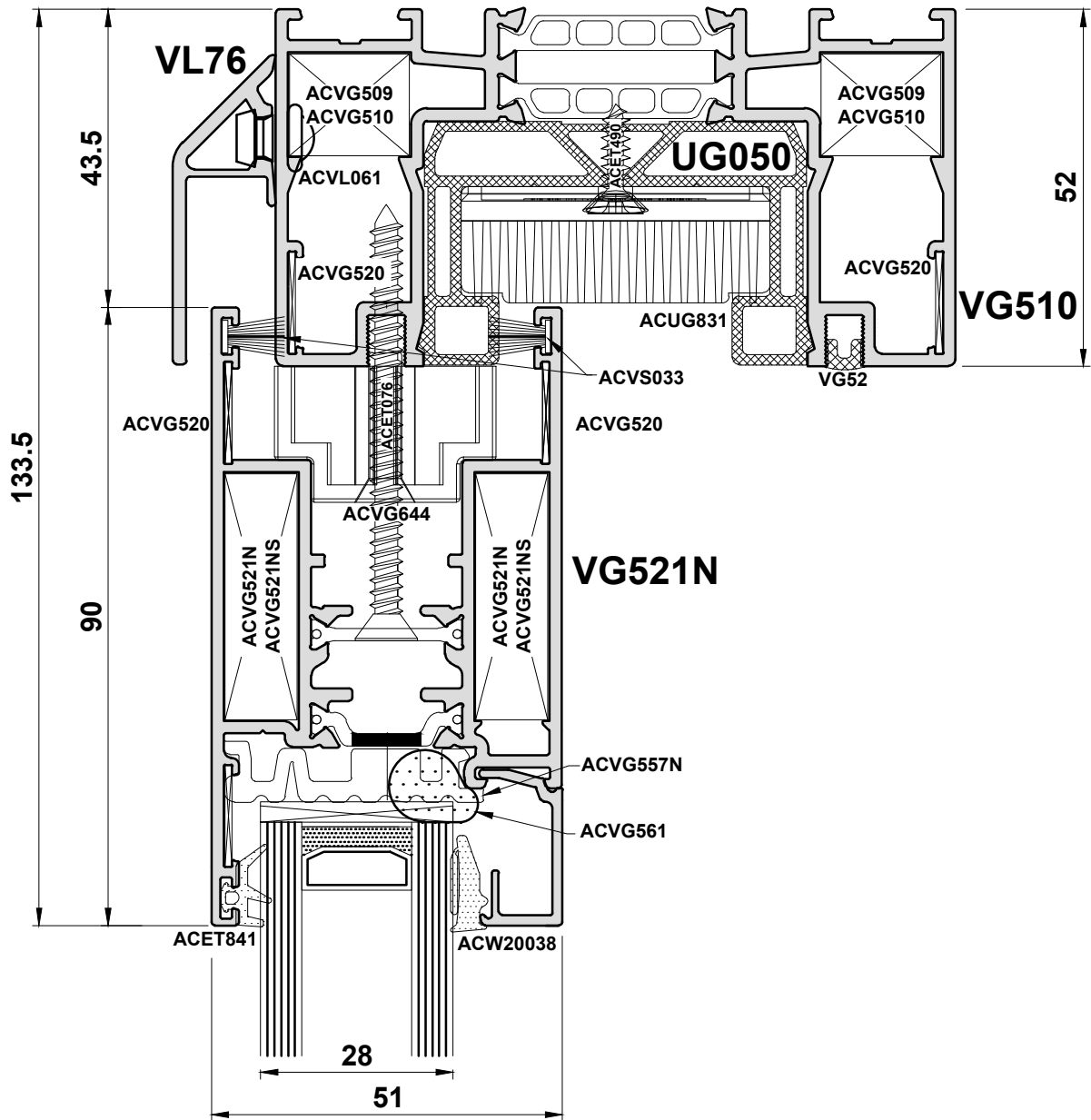
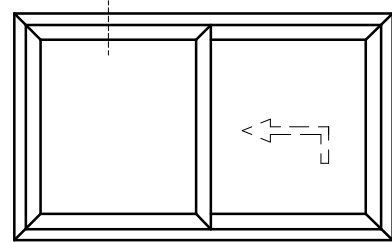
Do Not Scale From This Drawing

Detail 17



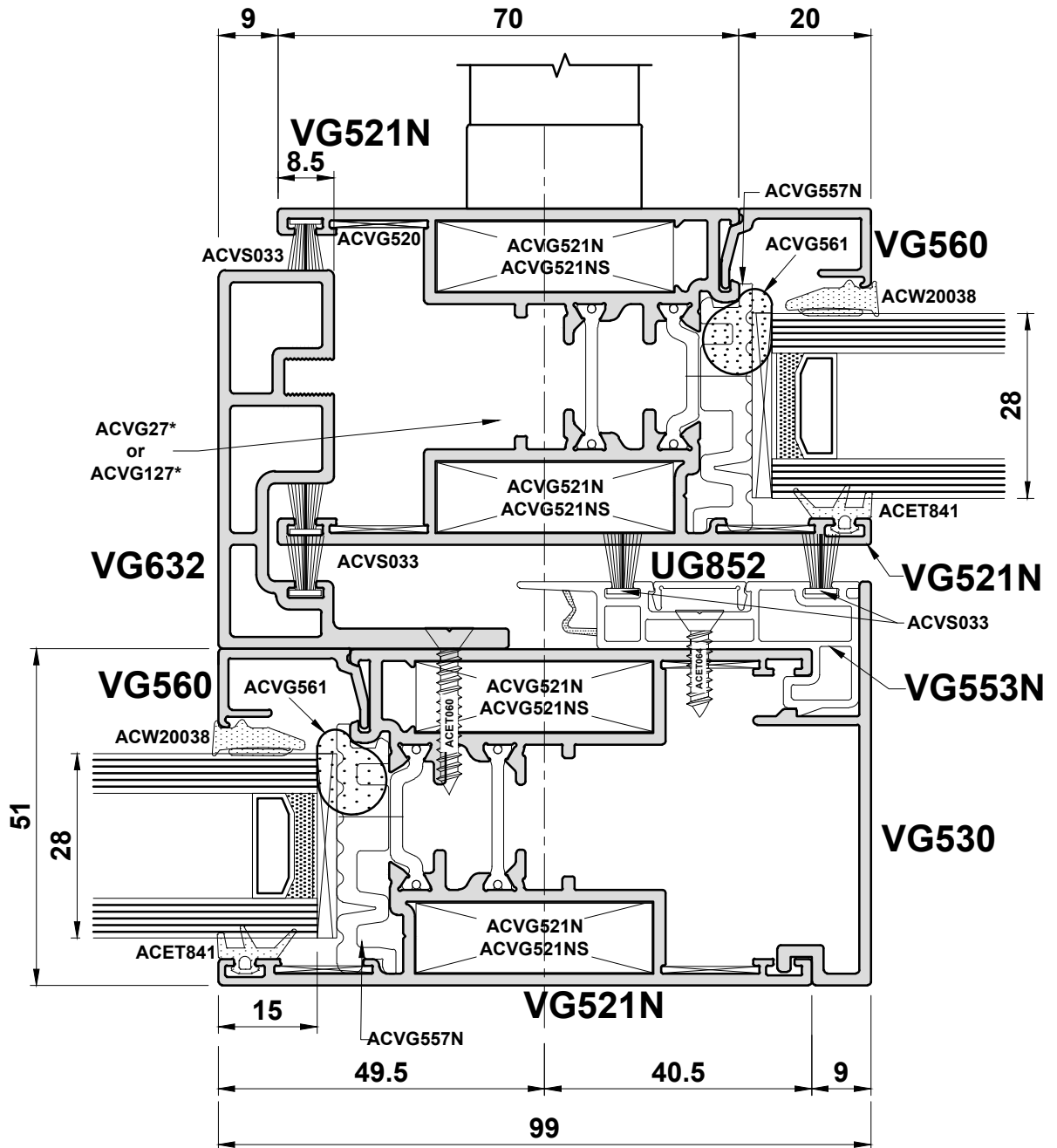
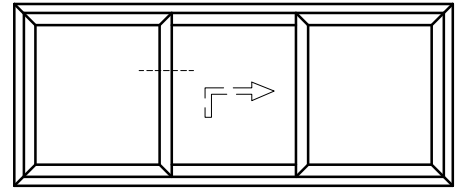
Do Not Scale From This Drawing

Detail 18



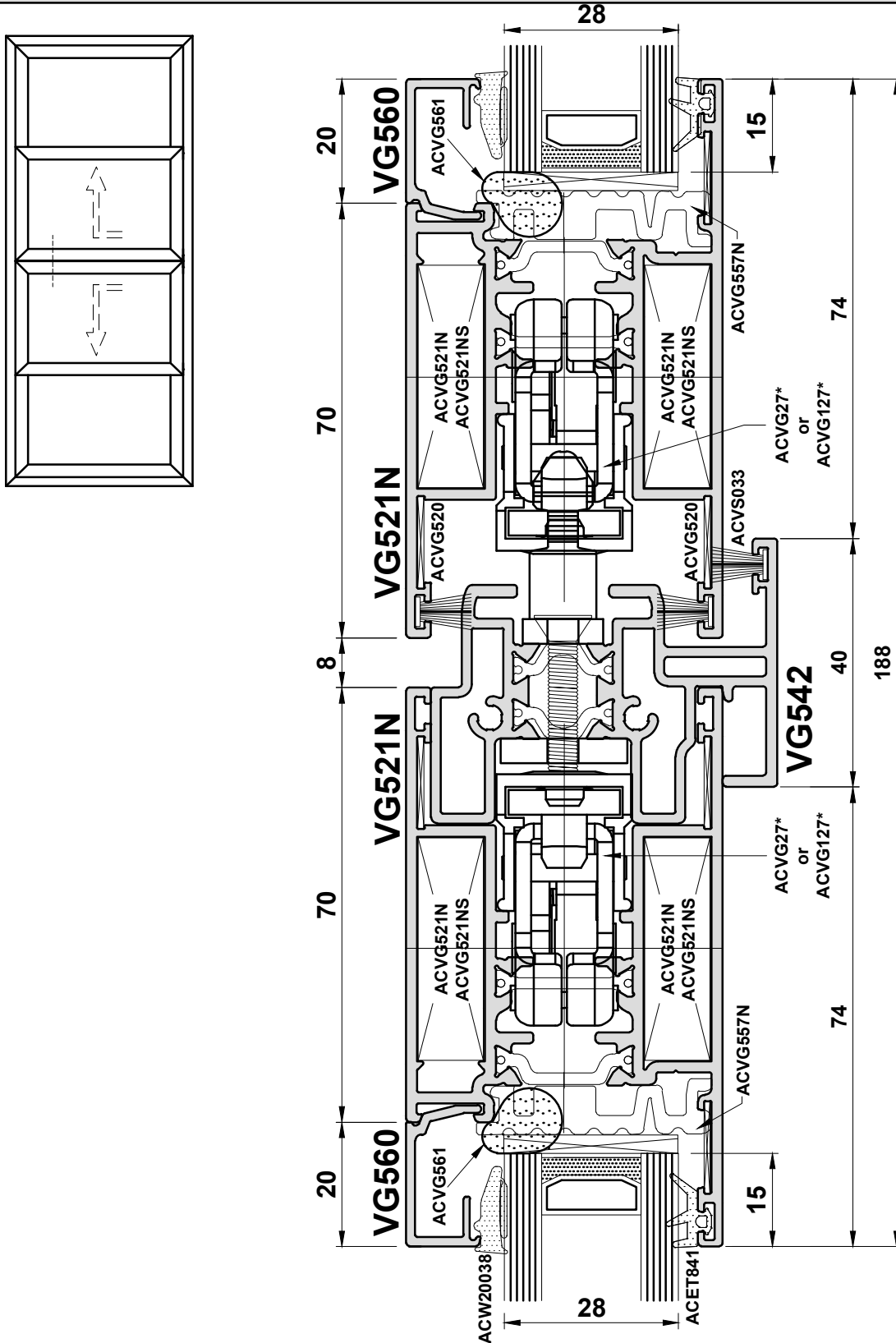
Do Not Scale From This Drawing

Detail 19



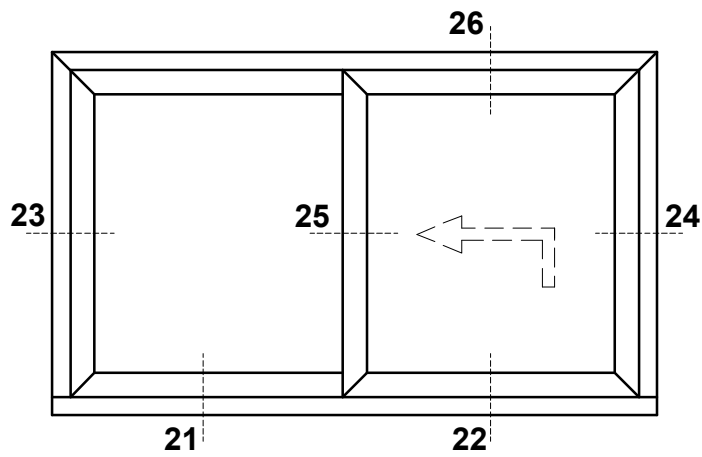
Do Not Scale From This Drawing

Detail 20



Do Not Scale From This Drawing

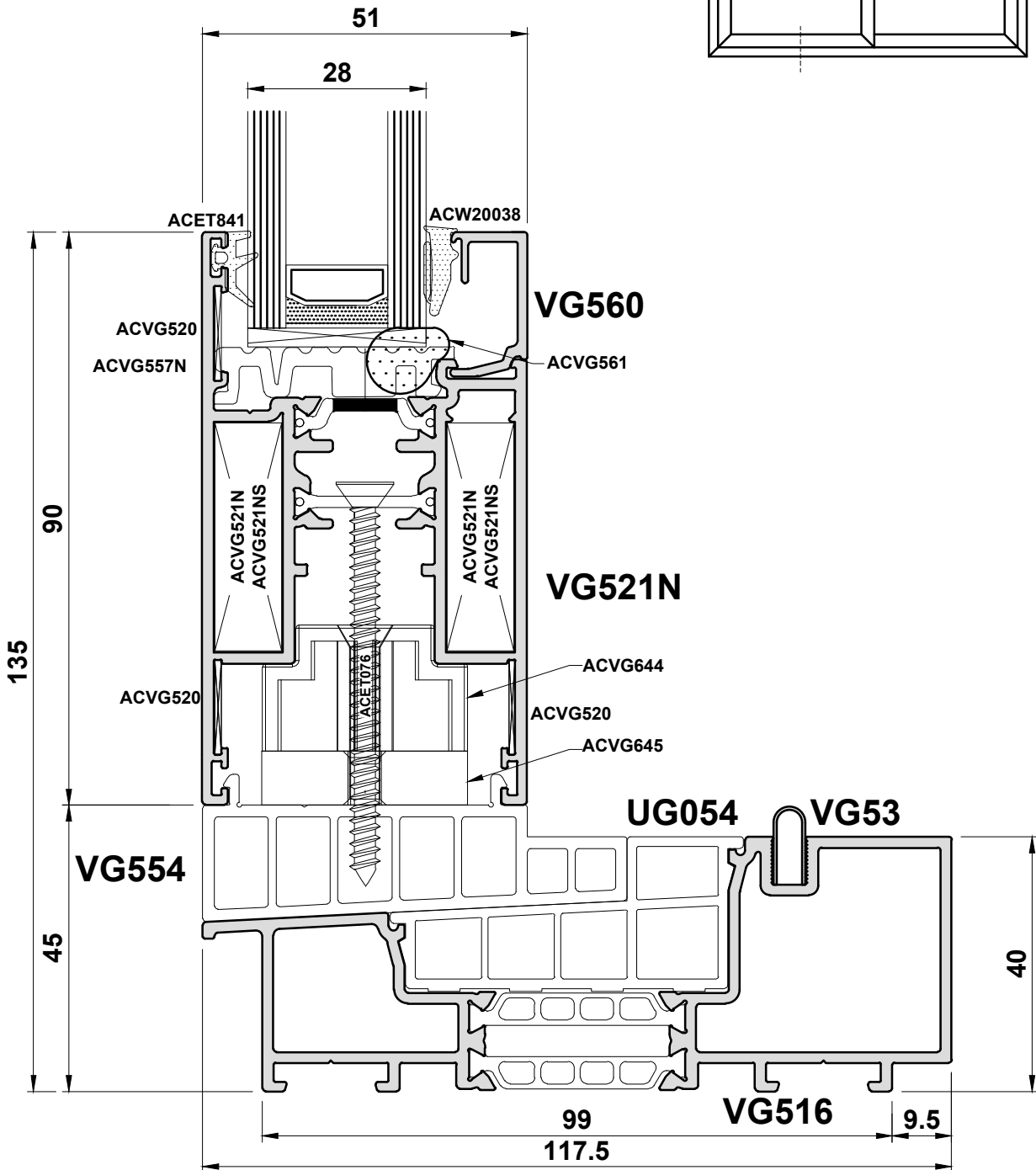
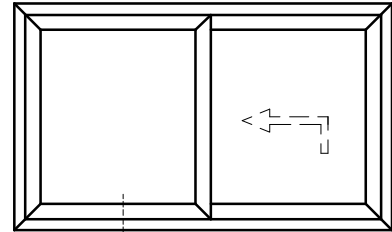
Scale Elevations



Sloped Cill Mono Rail

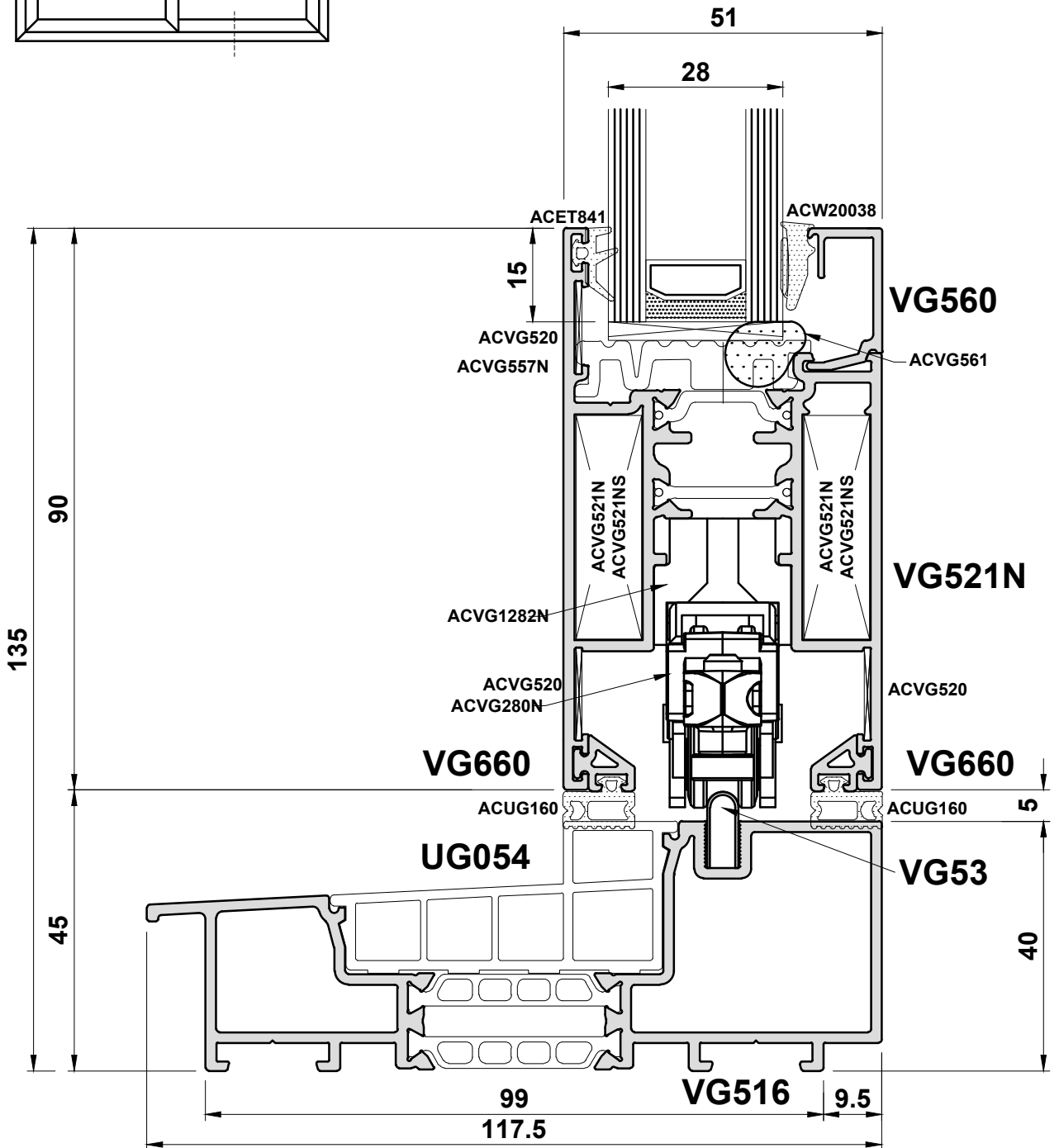
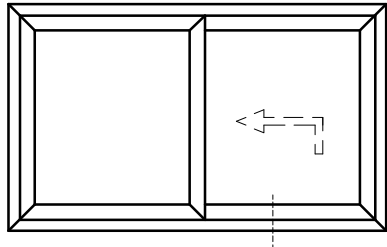
Do Not Scale From This Drawing

Detail 21



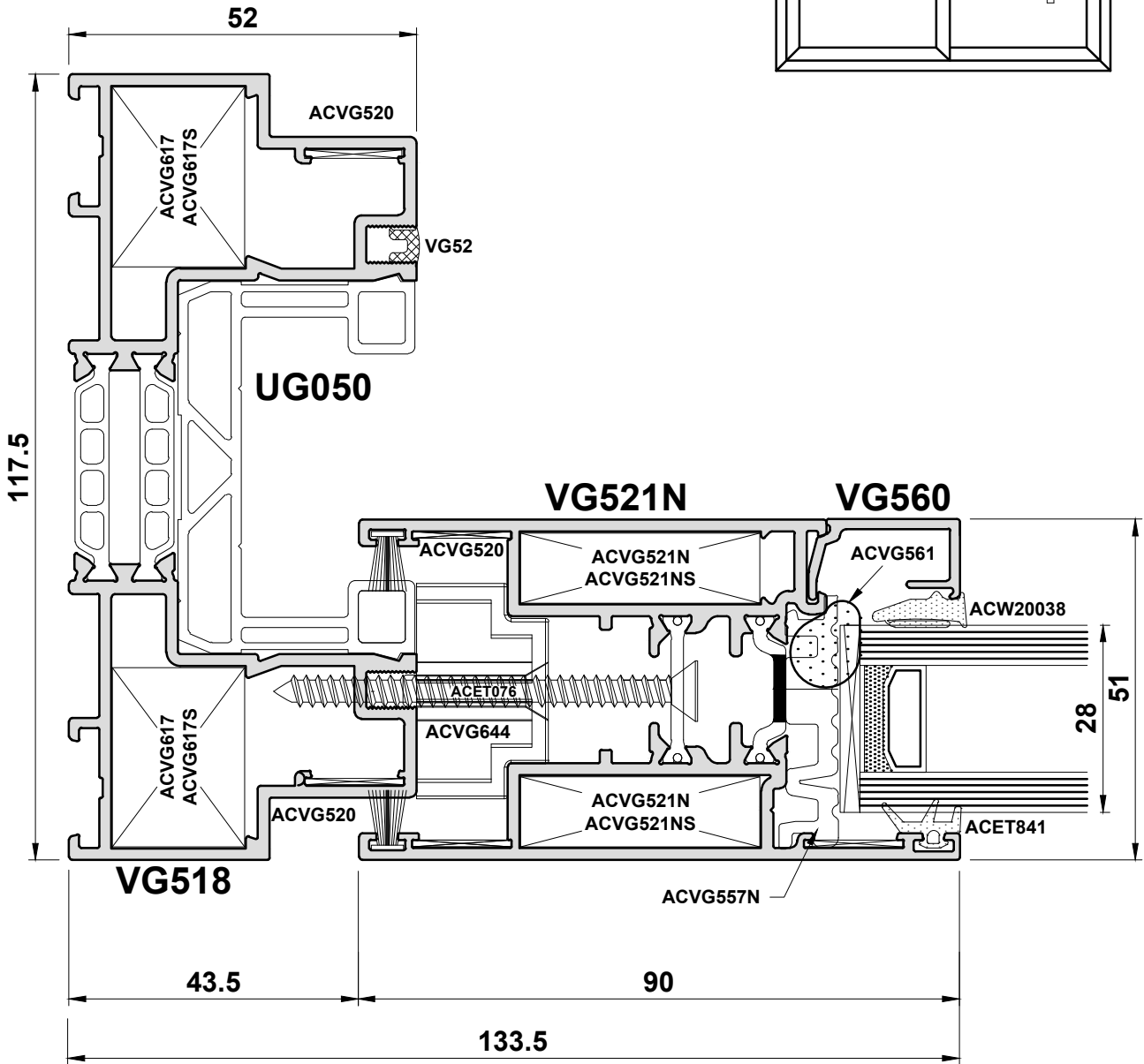
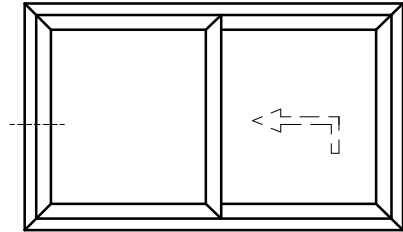
Do Not Scale From This Drawing

Detail 22



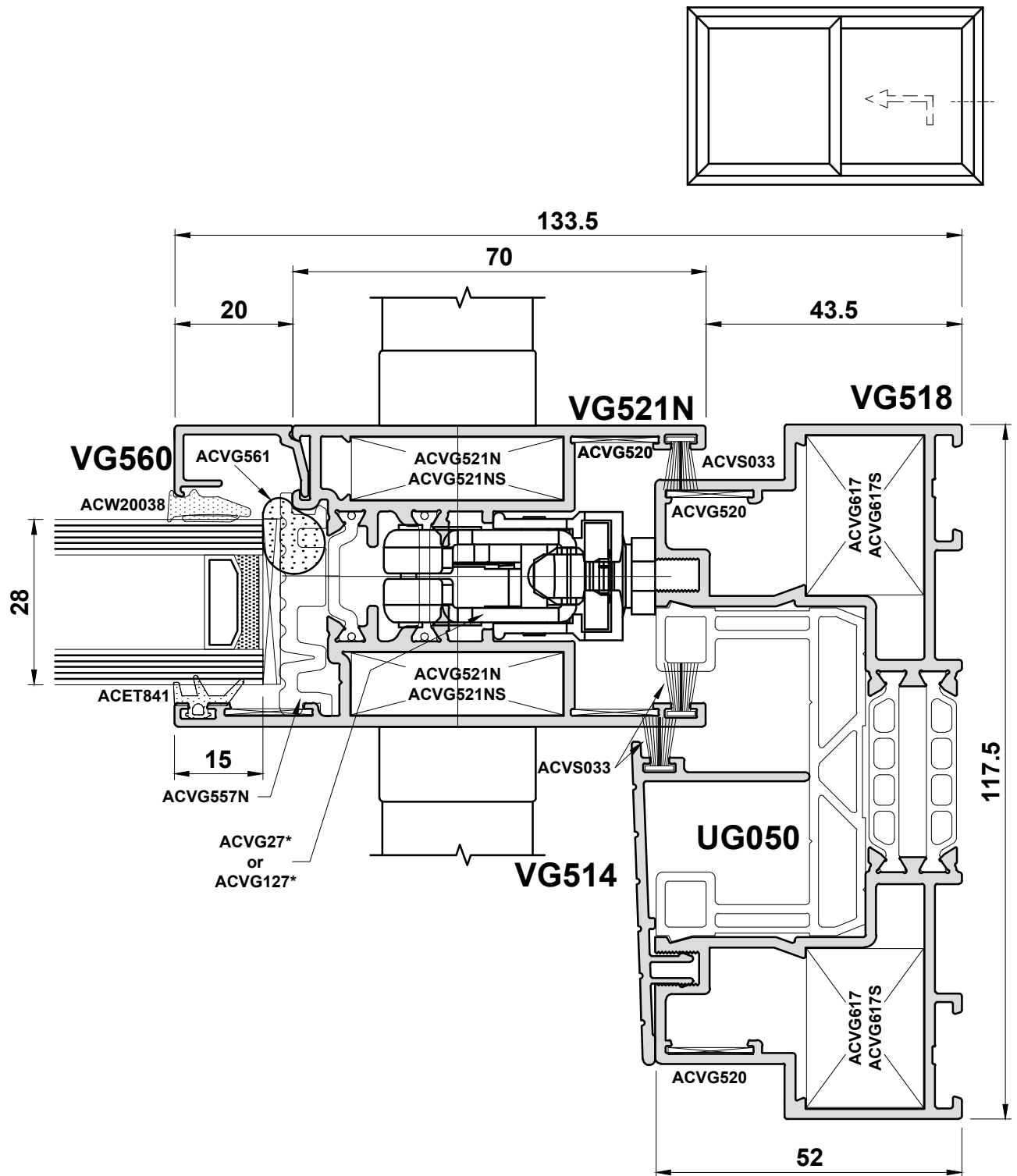
Do Not Scale From This Drawing

Detail 23



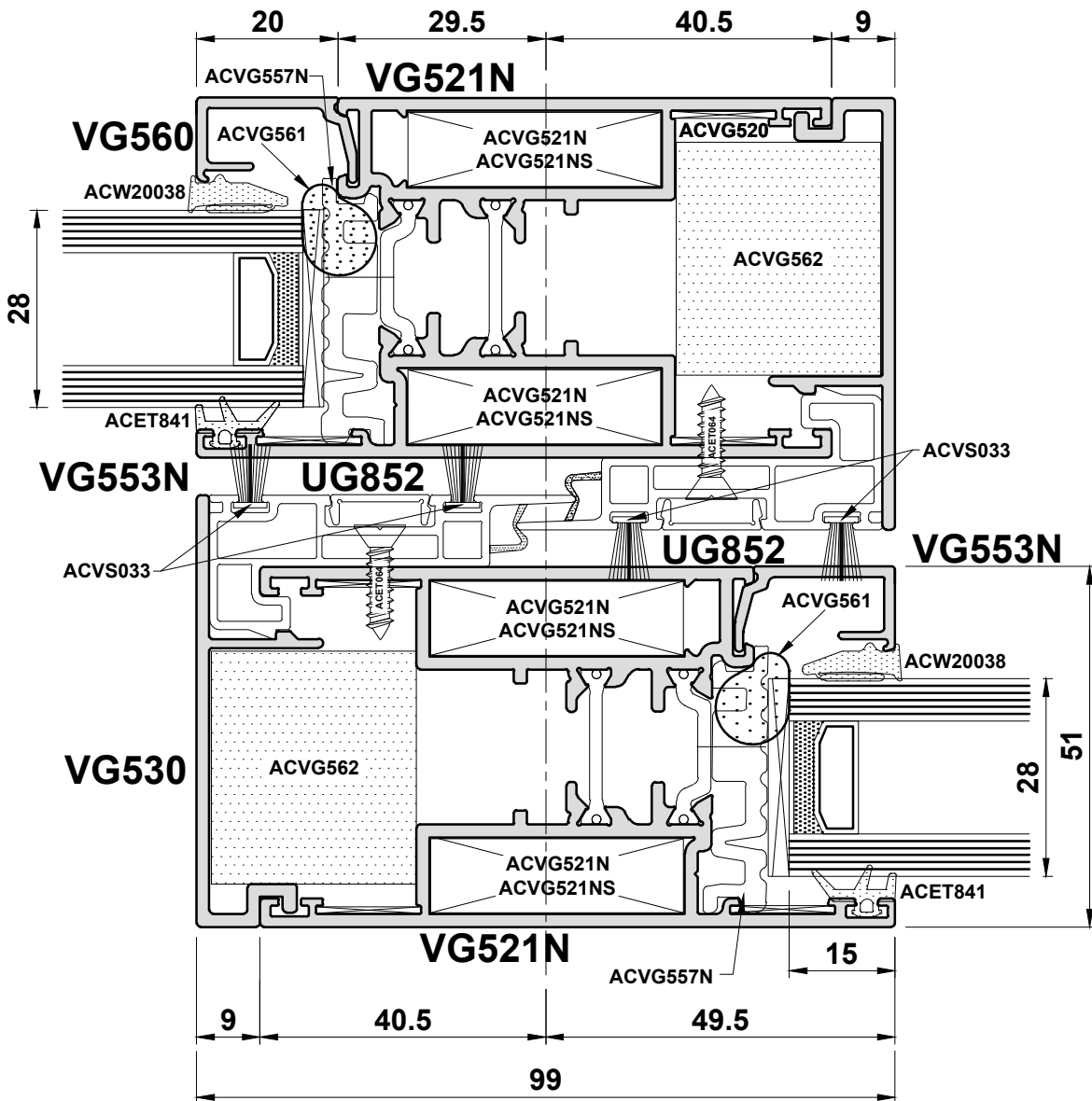
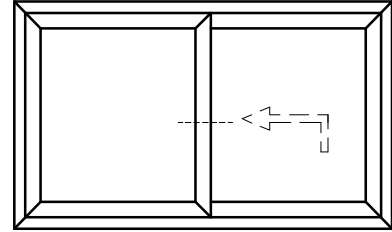
Do Not Scale From This Drawing

Detail 24



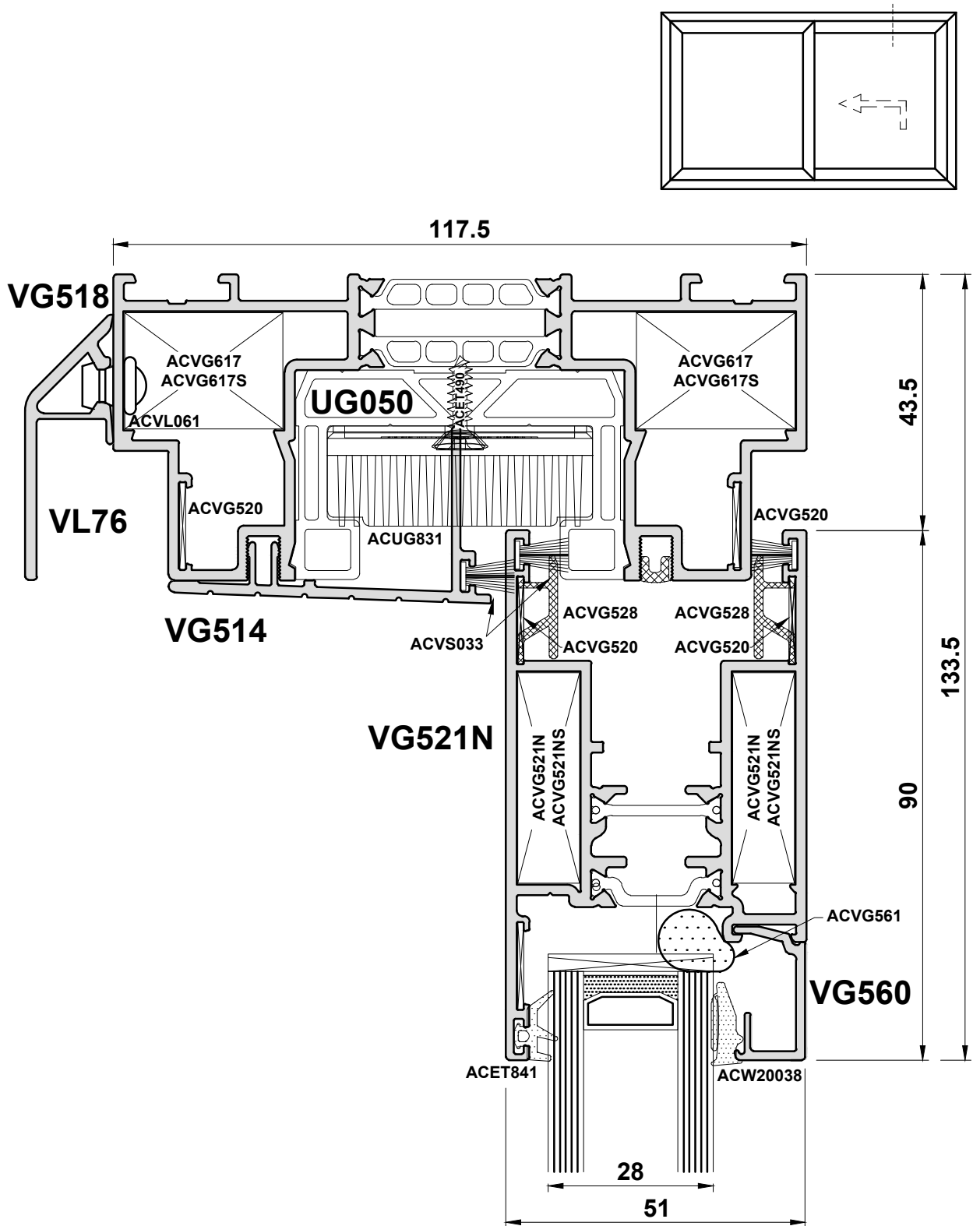
Do Not Scale From This Drawing

Detail 25



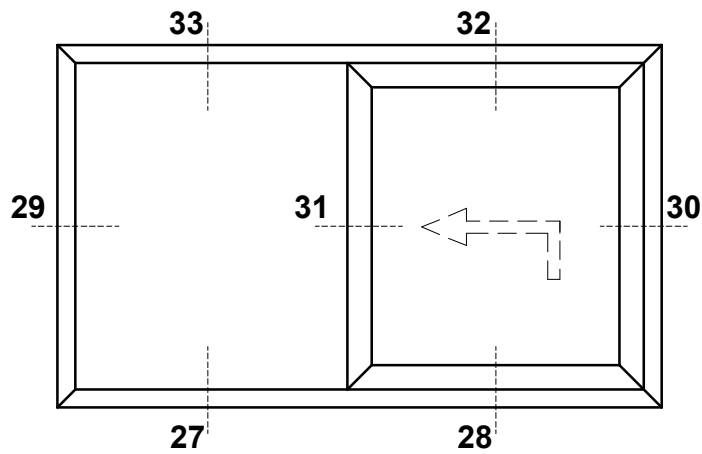
Do Not Scale From This Drawing

Detail 26



Do Not Scale From This Drawing

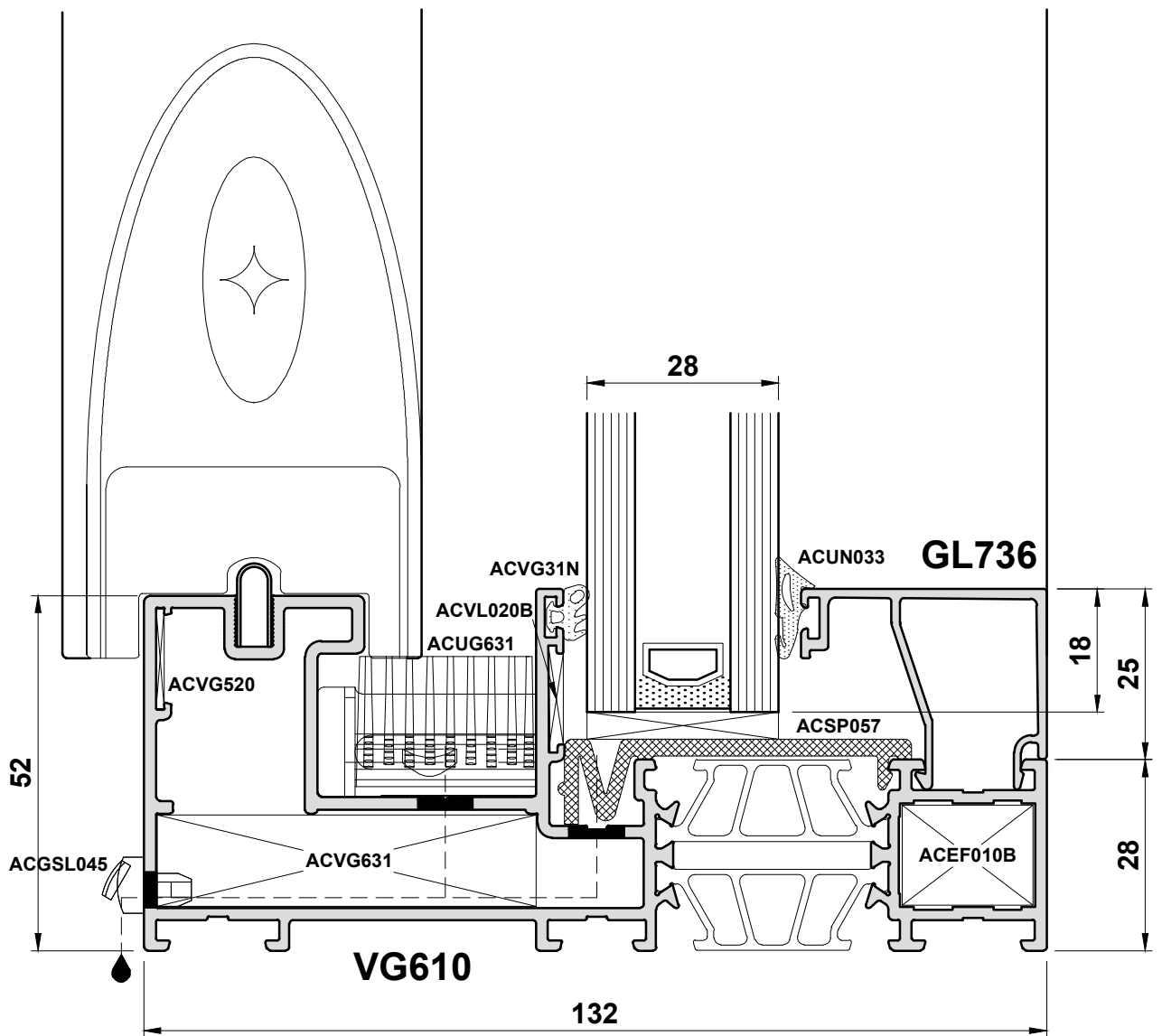
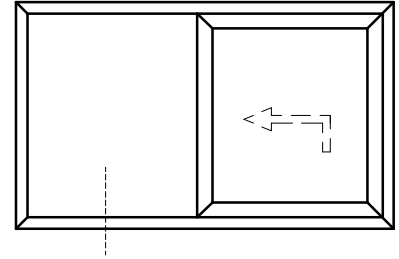
Scale Elevations



Mono Rail with Glazed Outer Frame

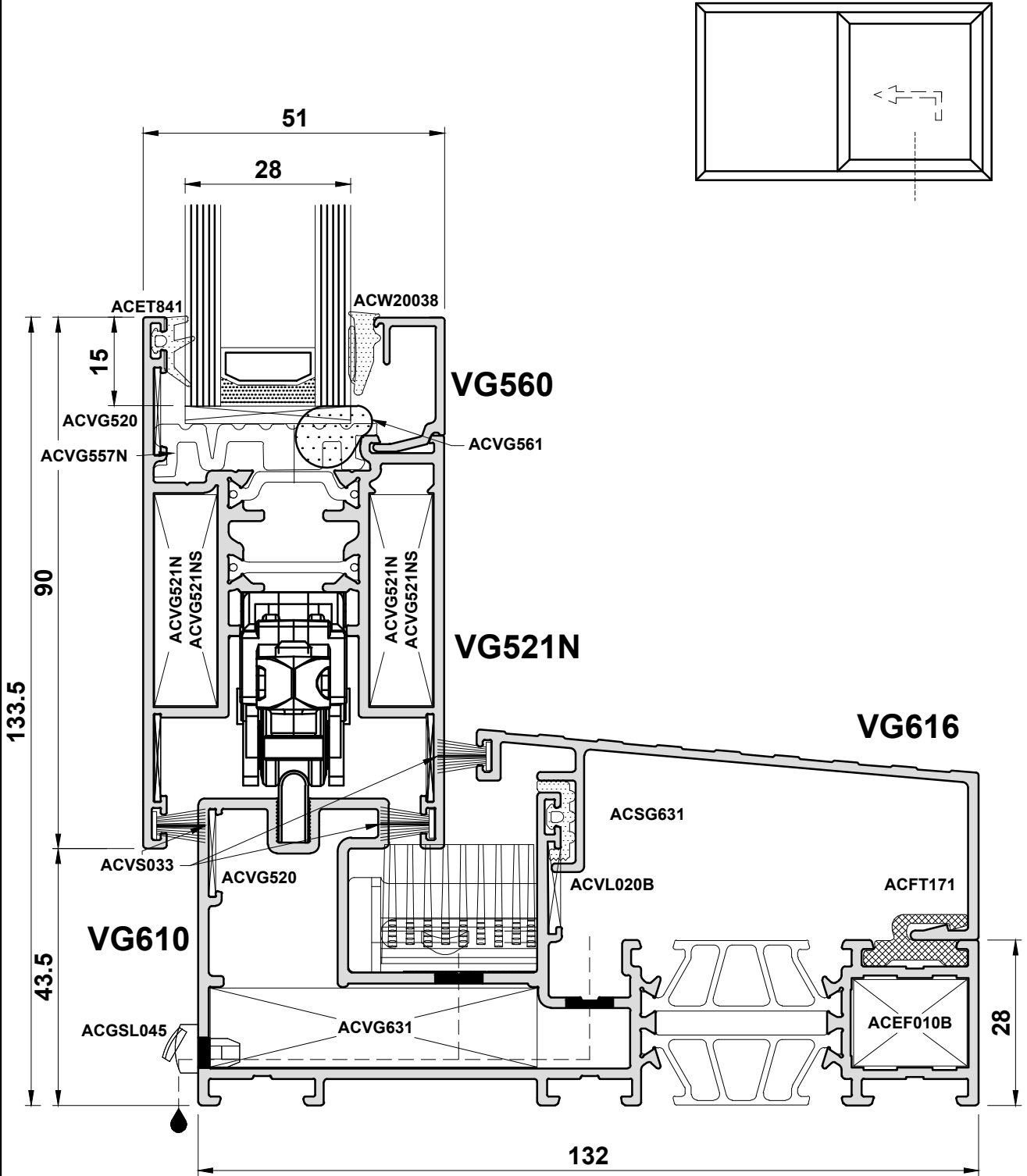
Do Not Scale From This Drawing

Detail 27



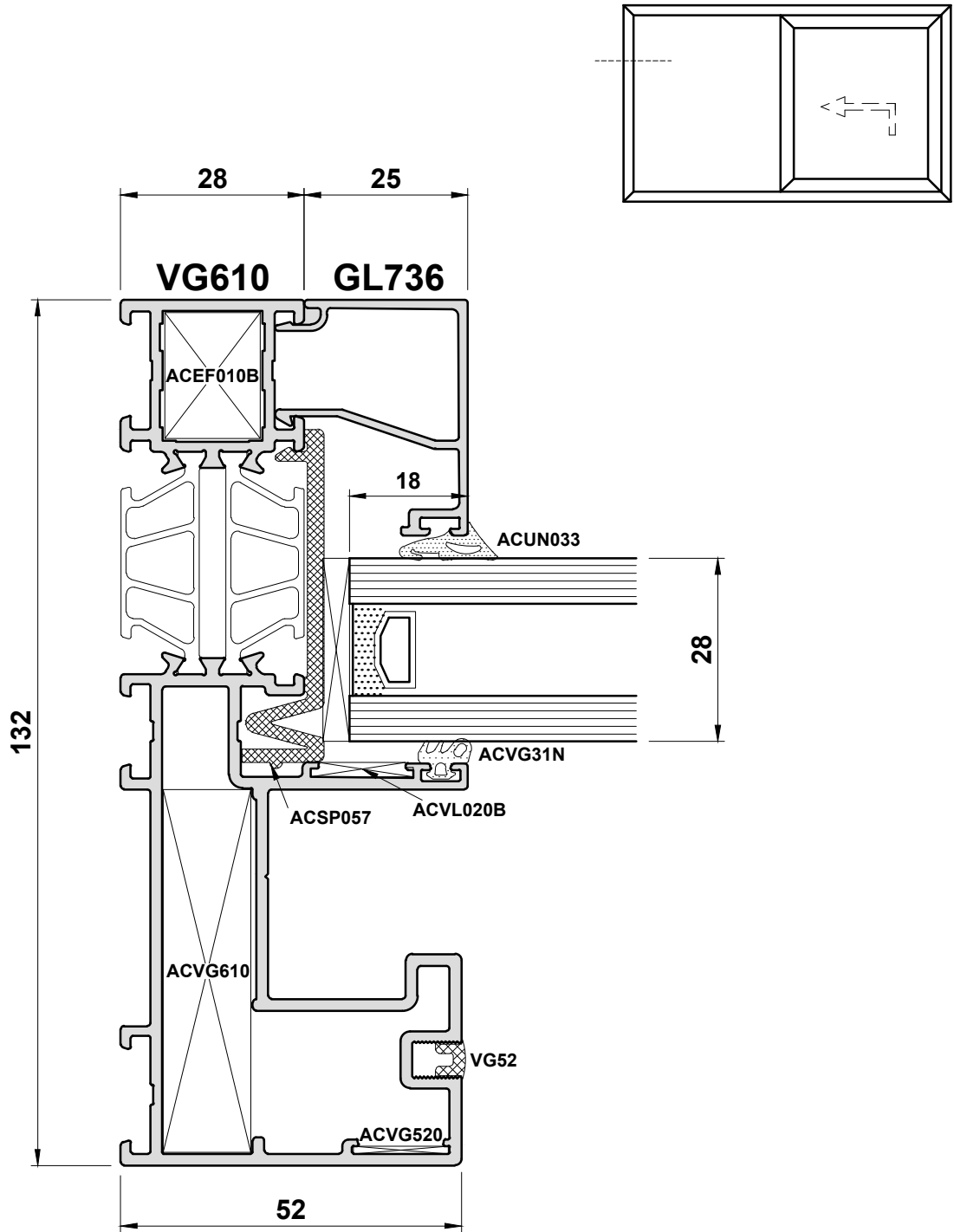
Do Not Scale From This Drawing

Detail 28



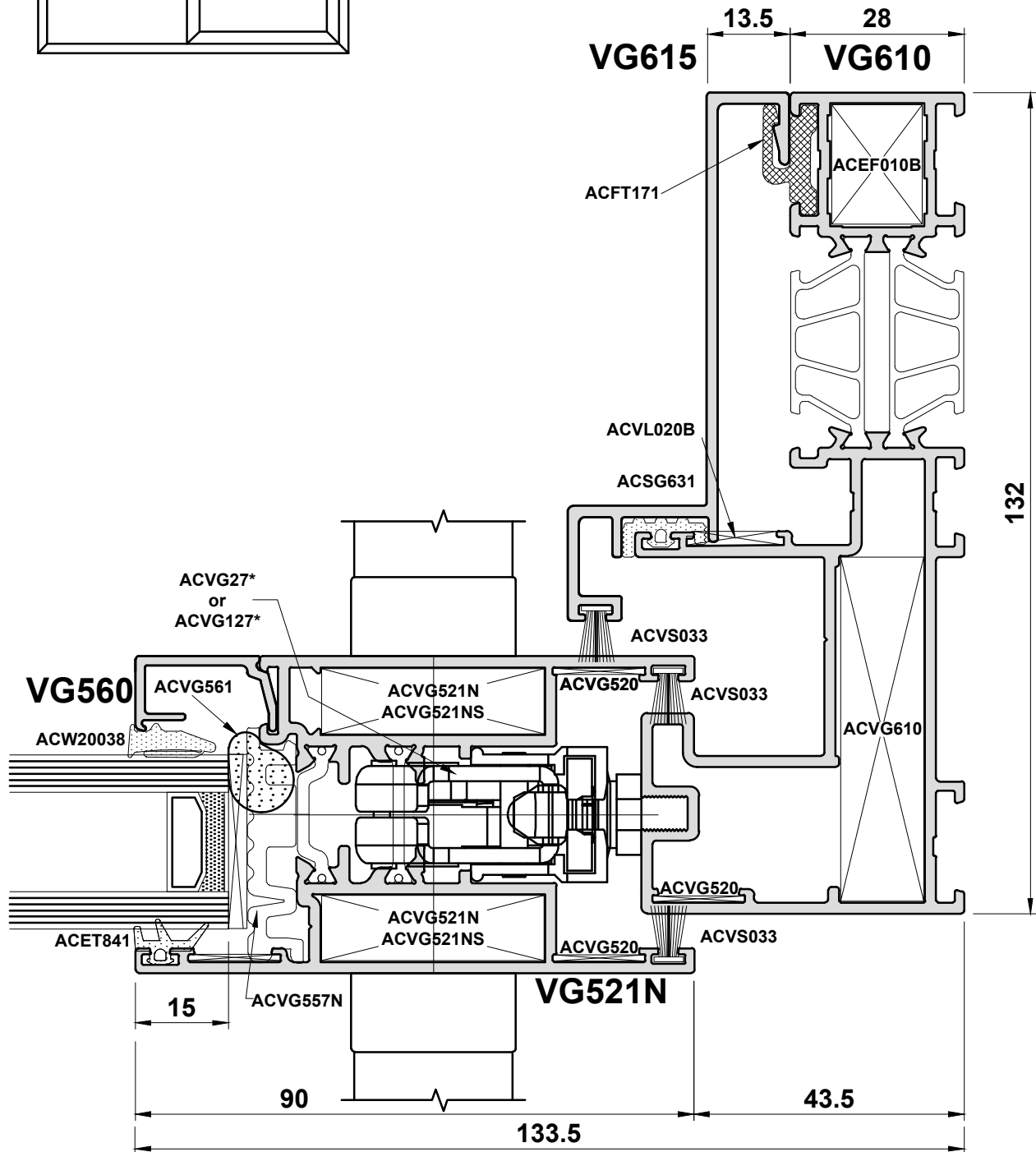
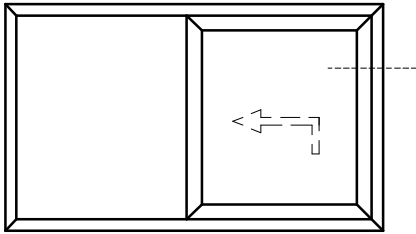
Do Not Scale From This Drawing

Detail 29



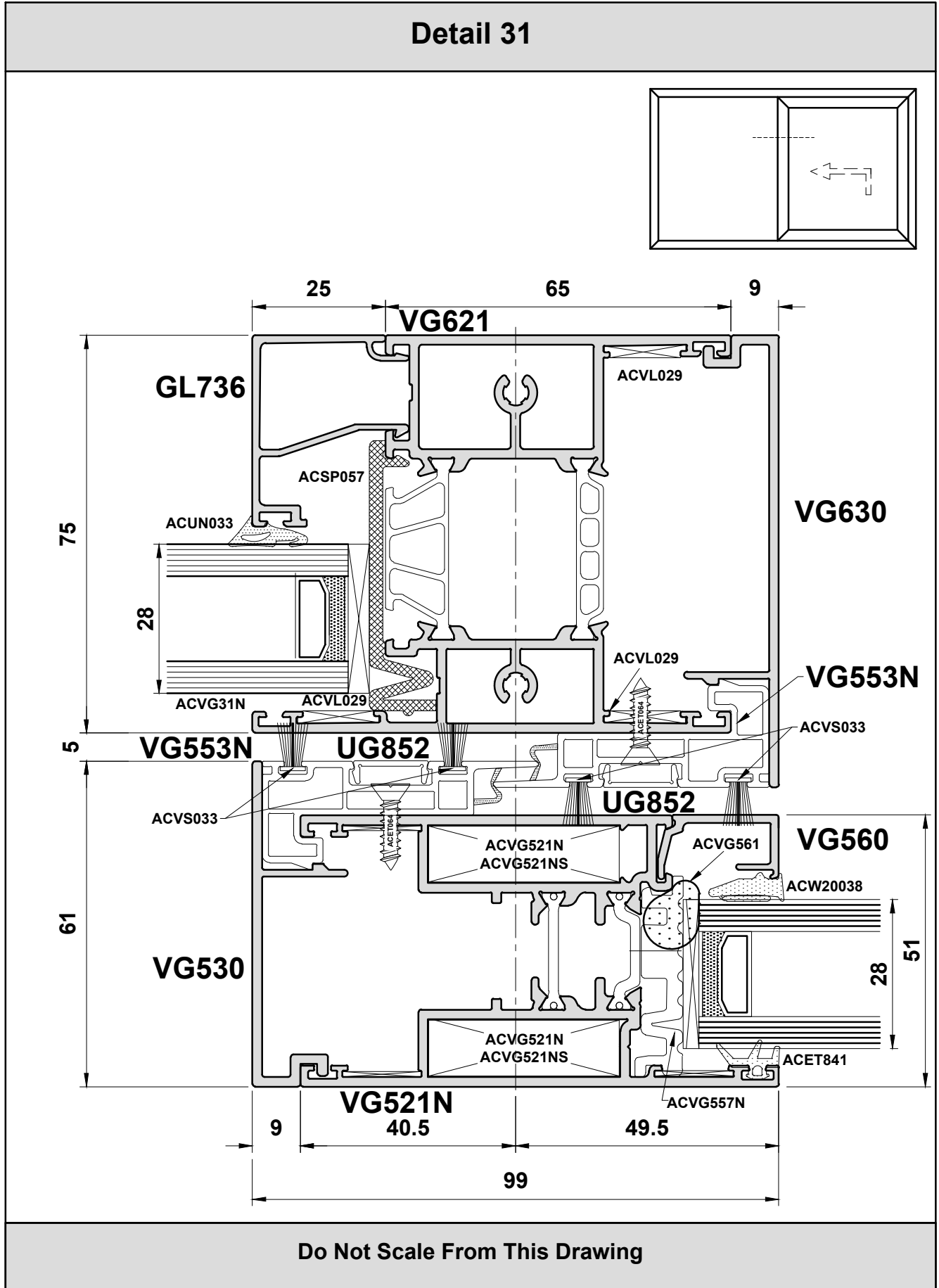
Do Not Scale From This Drawing

Detail 30



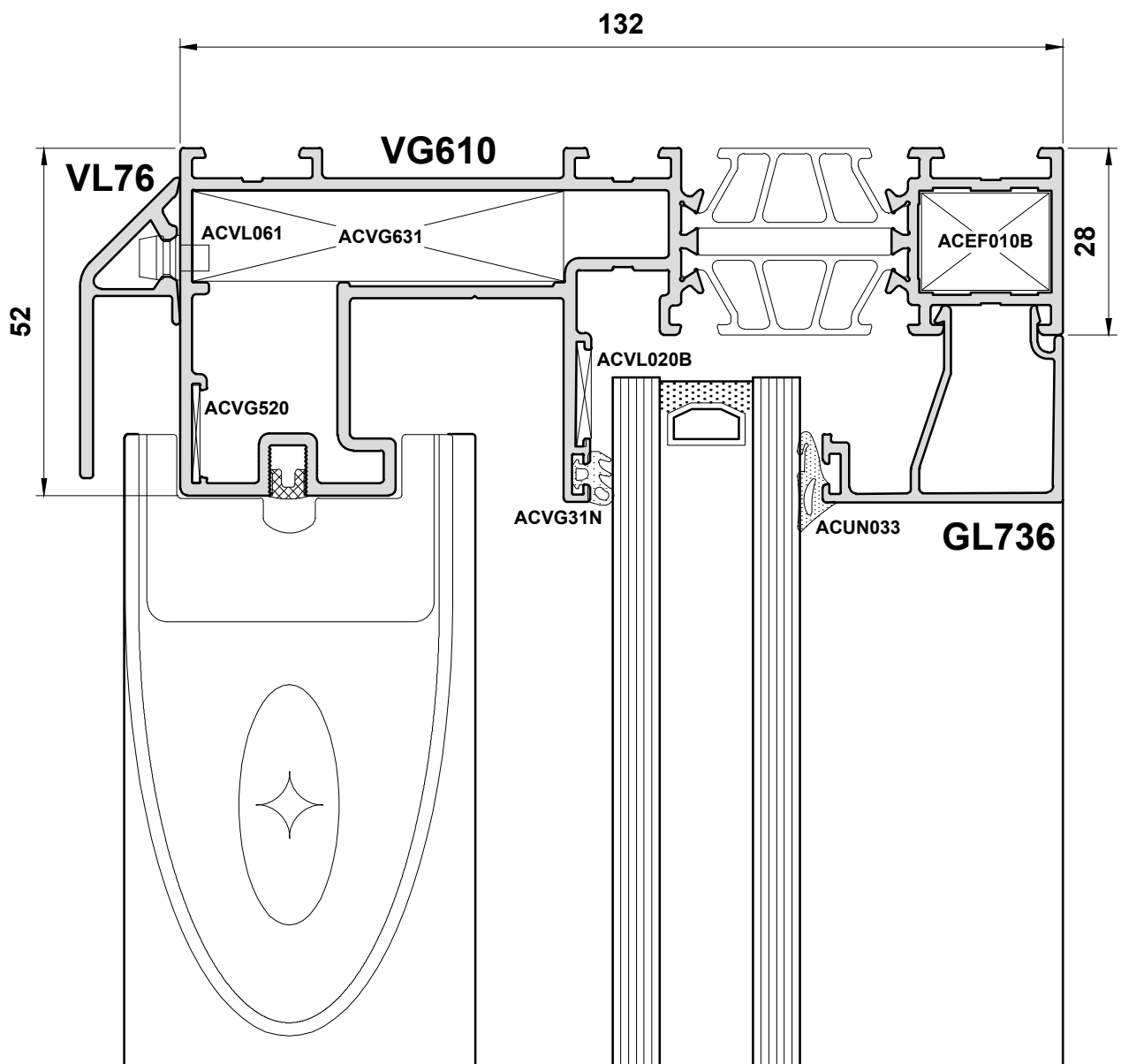
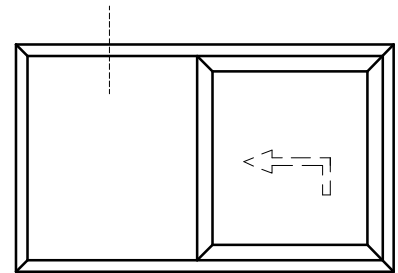
Do Not Scale From This Drawing

Detail 31

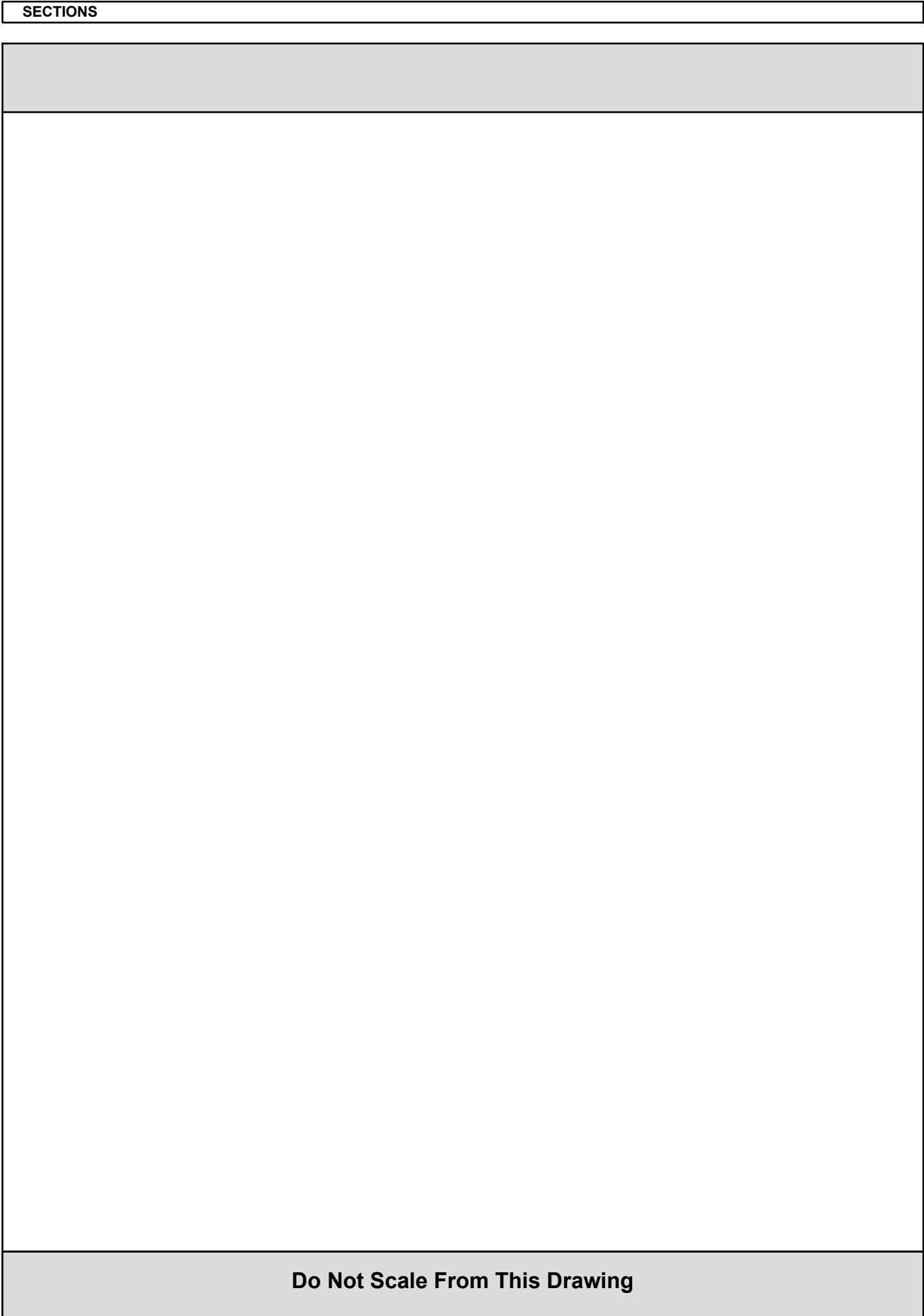


Do Not Scale From This Drawing

Detail 33



Do Not Scale From This Drawing



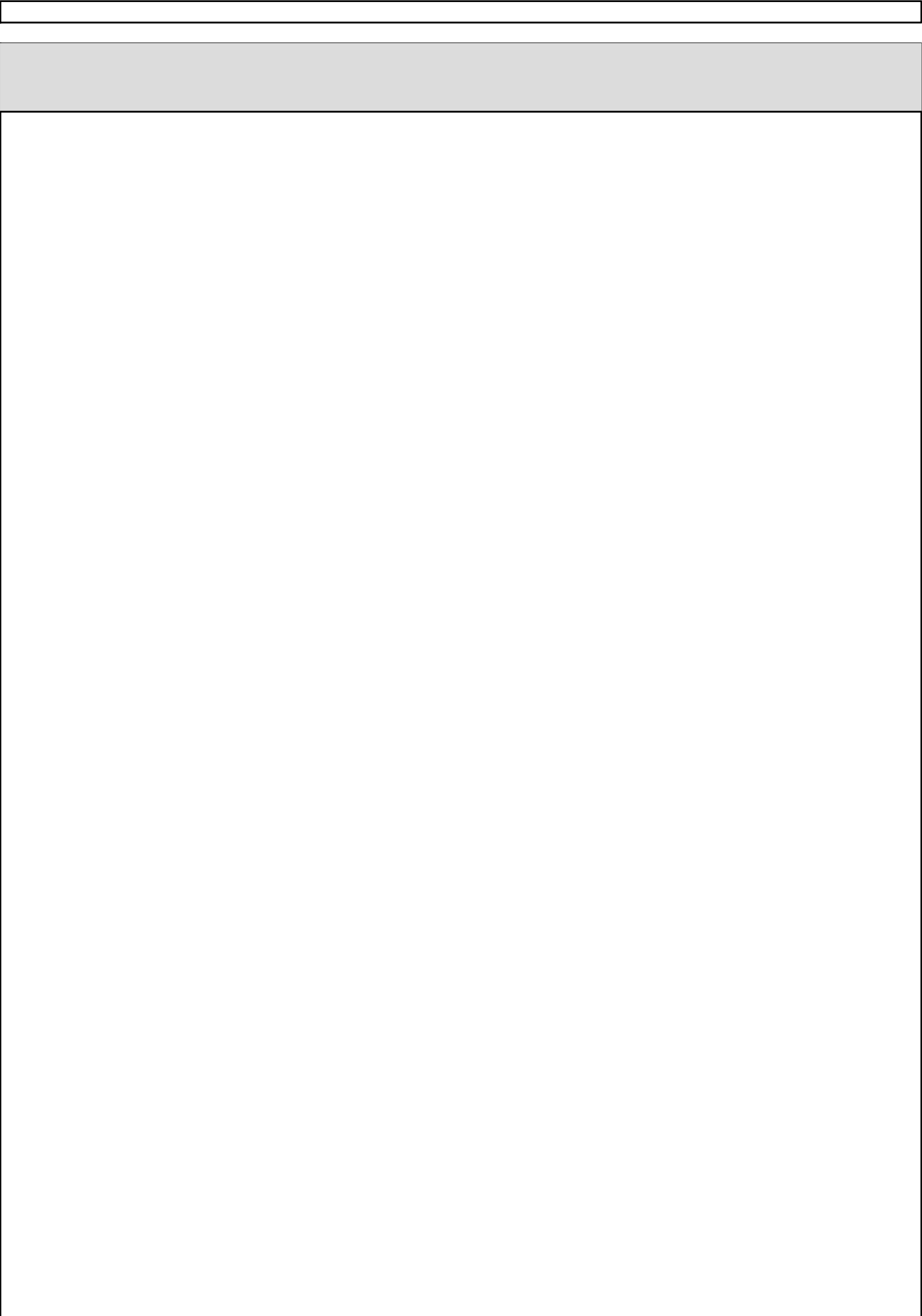
Do Not Scale From This Drawing

Section D

Statics

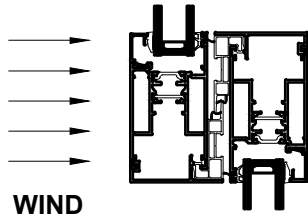
General Size Limitations are shown on Page A07.

**If in doubt, please contact
the technical department - T: 01934 876100**



Section D

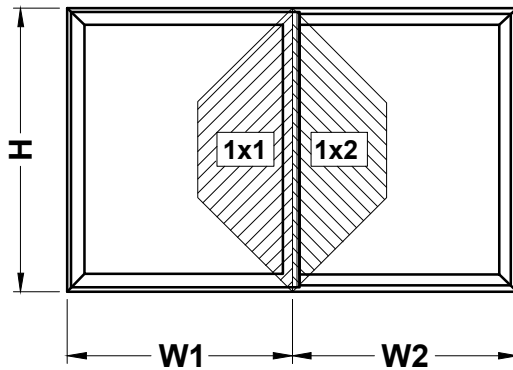
GENERAL INFORMATION - STATICS



The position of the axes is an indication for the use and application of the moments of inertia (I_x and I_y) and the section modulus (W_x and W_y). We always choose the values of the axis perpendicular to the load to resist it.

- To resist the wind loads we use the values I_x and W_x .

EXAMPLE



$H = 250\text{cm}$

$W1 = 100\text{cm}$

$W2 = 100\text{cm}$

$P = 1000\text{ Pa}$ (wind pressure)

- 1) Determine I_{xx} value for the interlock and meeting stile (if required) using the Specification Wizard

$I_{xx} = 58.1\text{ cm}^4$

- 2) Determine profile combinations

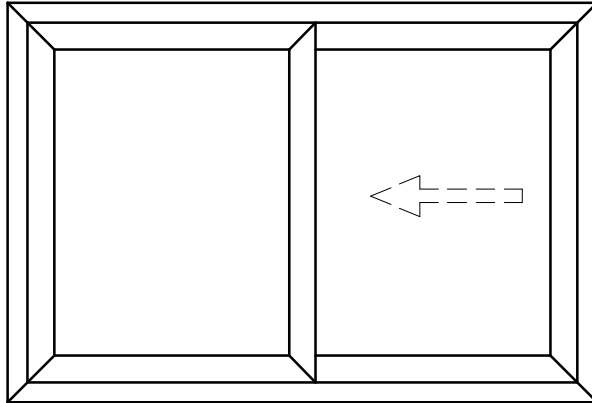


	52 cm⁴	88.5 cm⁴	111 cm⁴
	88 cm⁴	124 cm⁴	147 cm⁴

Do Not Scale From This Drawing

Section D

PROFILE COMBINATIONS - IX SLIDE : STATICS



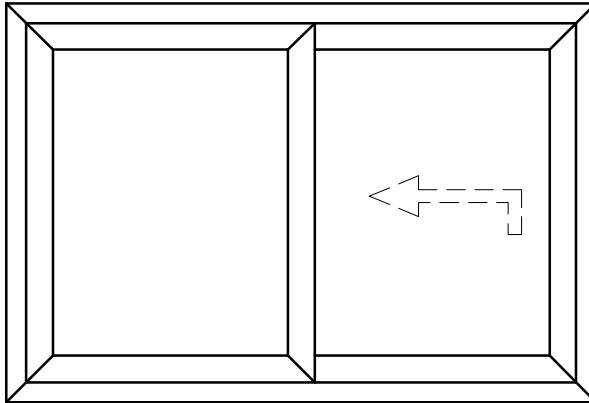
	52 cm⁴	88.5 cm⁴	111 cm⁴	147 cm⁴
	88 cm⁴	124 cm⁴	147 cm⁴	183 cm⁴
	111 cm⁴	147 cm⁴	171 cm⁴	206 cm⁴
	147 cm⁴	183 cm⁴	206 cm⁴	242 cm⁴

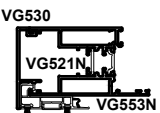
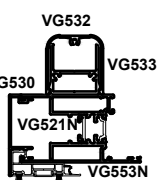
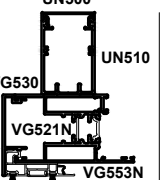
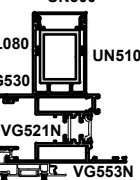
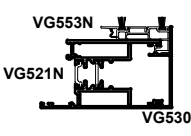
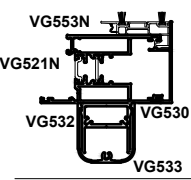
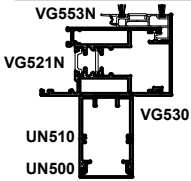
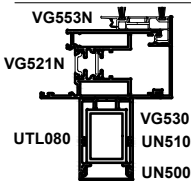
See Page D.07 for Slim Interlock Mass Properties

Do Not Scale From This Drawing

Section D

PROFILE COMBINATIONS - IX LIFTSLIDE : STATICS



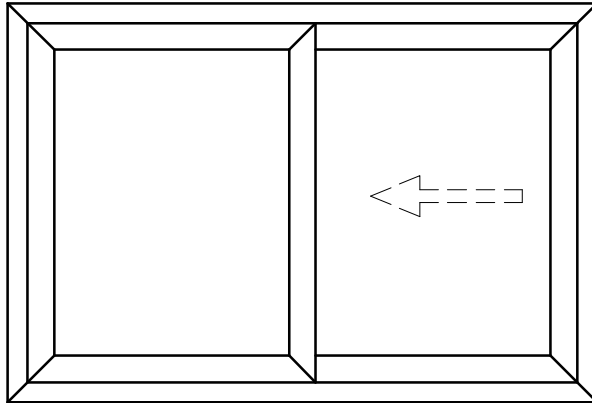
				
	67 cm⁴	102 cm⁴	125 cm⁴	169 cm⁴
	102 cm⁴	137 cm⁴	160 cm⁴	204 cm⁴
	125 cm⁴	160 cm⁴	184 cm⁴	227 cm⁴
	169 cm⁴	204 cm⁴	227 cm⁴	271 cm⁴

See Page D.07 for Slim Interlock Mass Properties

Do Not Scale From This Drawing

Section D

PROFILE COMBINATIONS - IX-MONO-SLIDE : STATICS

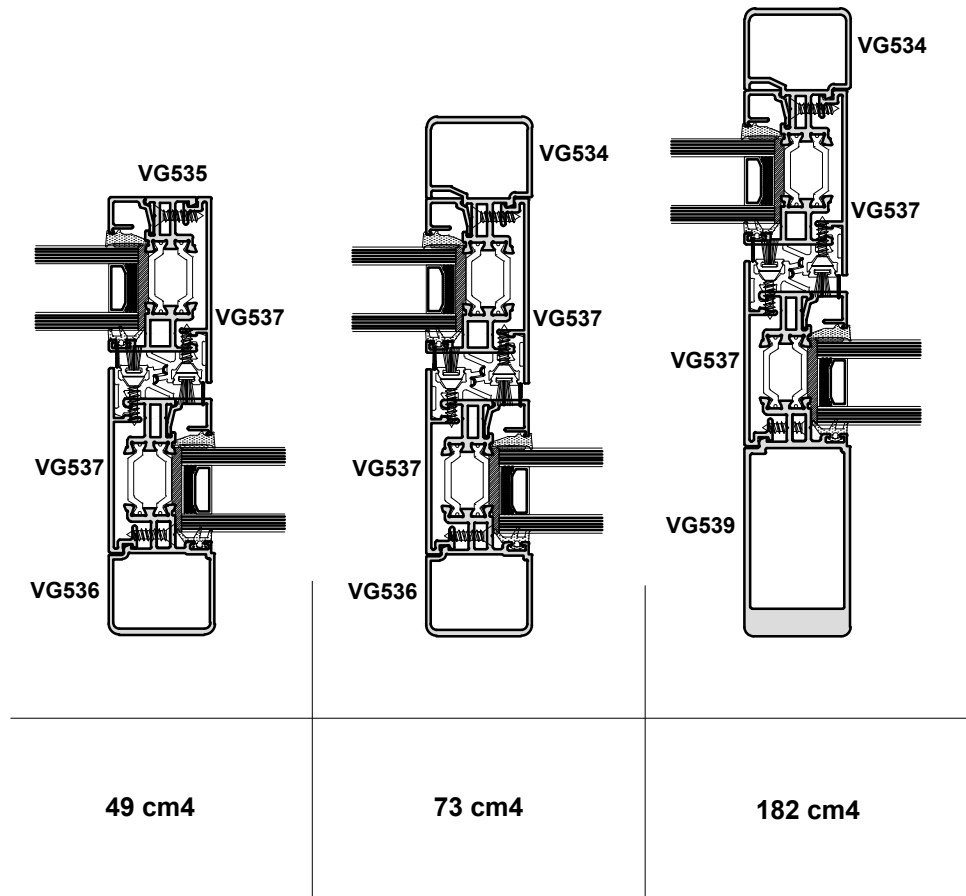
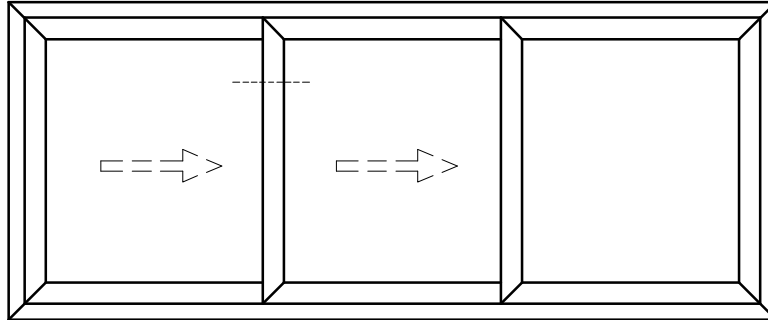


	92 cm⁴	156 cm⁴	191 cm⁴	253 cm⁴
	128 cm⁴	192 cm⁴	227 cm⁴	289 cm⁴
	151 cm⁴	215 cm⁴	251 cm⁴	312 cm⁴
	187 cm⁴	251 cm⁴	286 cm⁴	348 cm⁴

Do Not Scale From This Drawing

Section D

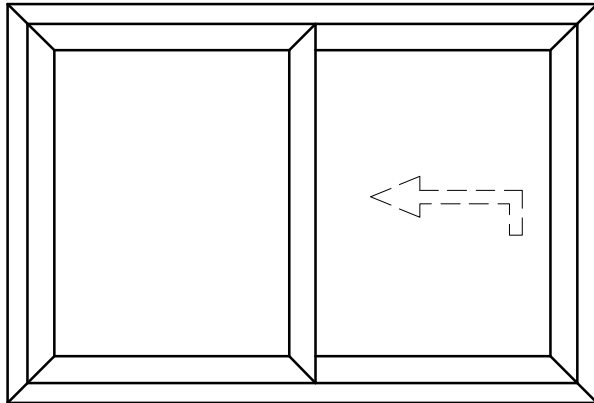
PROFILE COMBINATIONS - IX-SLIM INTERLOCKS : STATICS

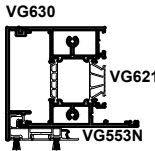
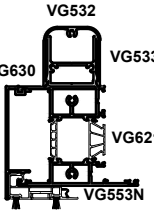
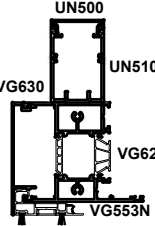
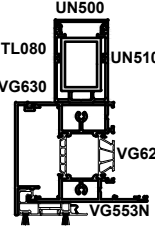
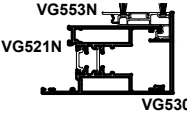
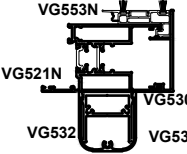
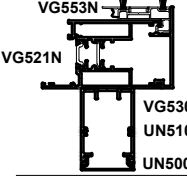
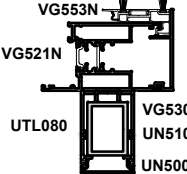


Do Not Scale From This Drawing

Section D

PROFILE COMBINATIONS - IX MONO-LIFTSLIDE : STATICS

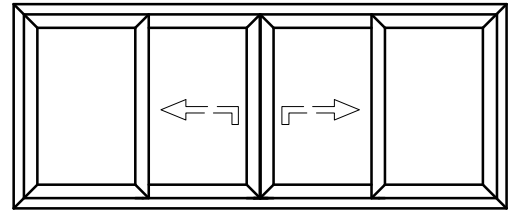
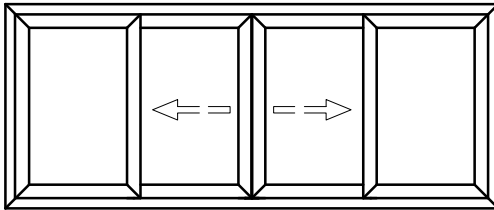


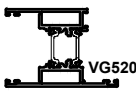
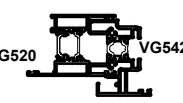
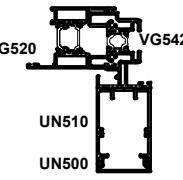
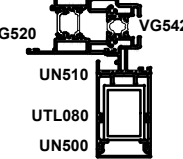
				
	109 cm⁴	176 cm⁴	214 cm⁴	287 cm⁴
	144 cm⁴	211 cm⁴	249 cm⁴	322 cm⁴
	168 cm⁴	235 cm⁴	273 cm⁴	346 cm⁴
	211 cm⁴	278 cm⁴	316 cm⁴	389 cm⁴

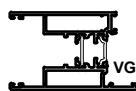
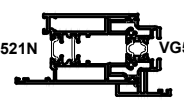
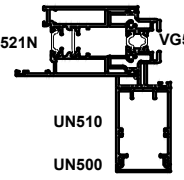
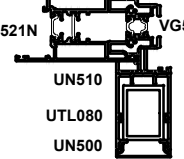
Do Not Scale From This Drawing



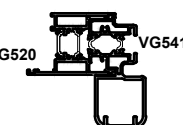
Section D

PROFILE COMBINATIONS - IX-DOUBLE CASEMENT : STATICS



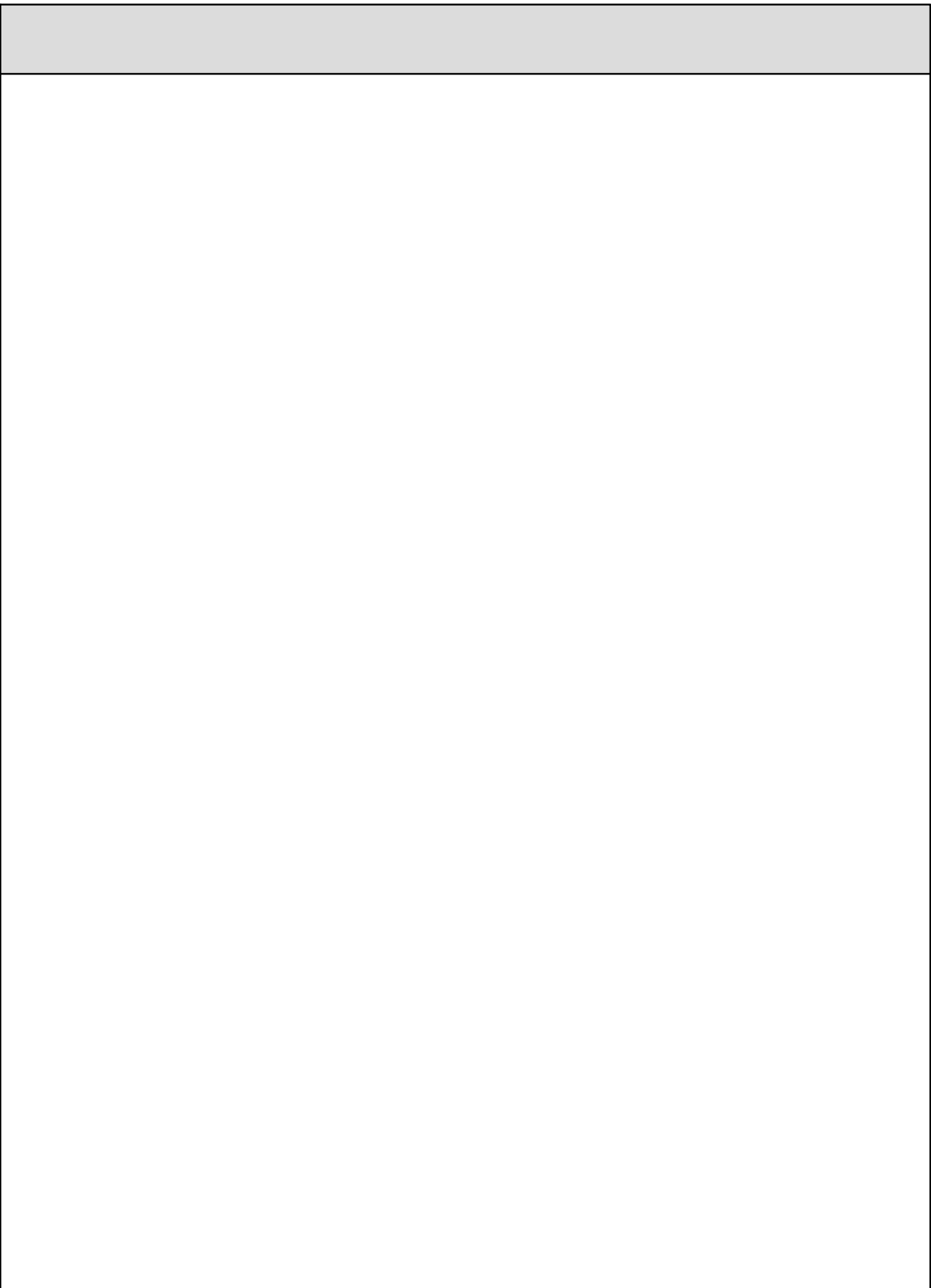
		
		58 cm⁴
		142 cm⁴
		210 cm⁴

		
		70 cm⁴
		157 cm⁴
		230 cm⁴

		
		48 cm⁴
		127 cm⁴

Do Not Scale From This Drawing

STATICS

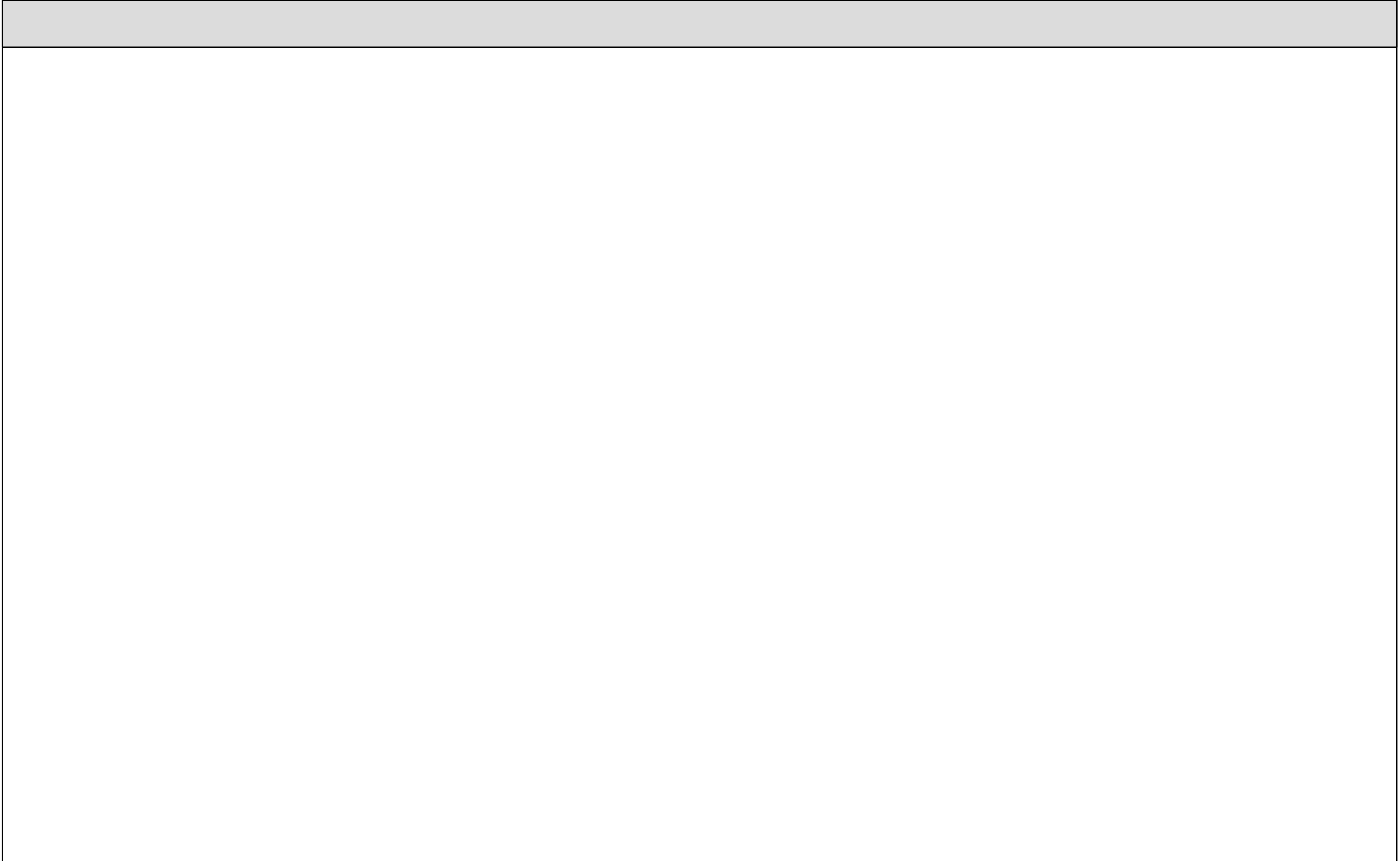


Section E

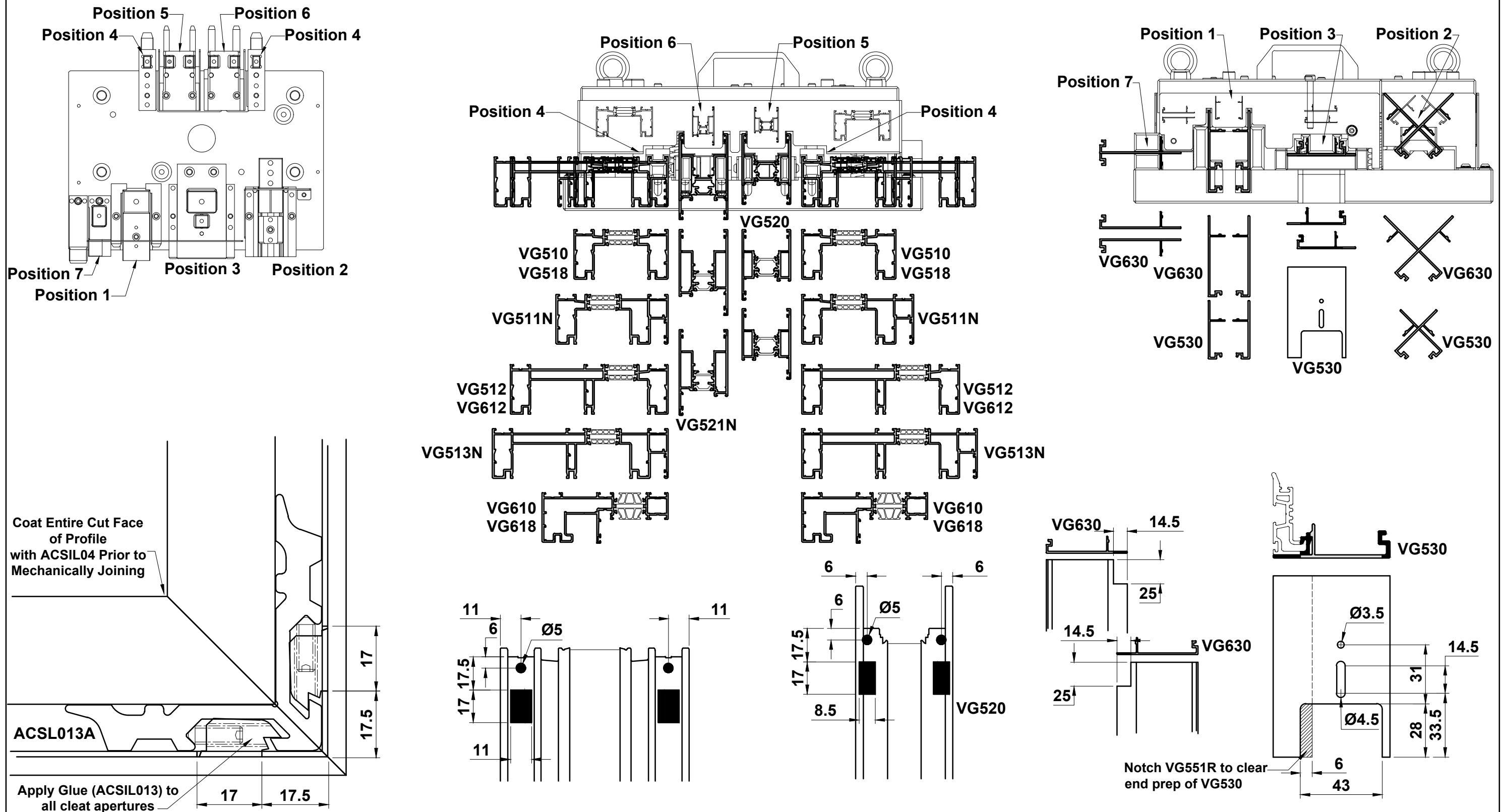
Construction Drawings



Punch Tool Details.....	E03 - E04
Drainage Details.....	E05 - E08
Sash Transom Details.....	E09
Roller Preparation & Fixing.....	E10 - E11
Multi-Point Lock Preparation & Installation.....	E12 - E14
BT Lock Preparation & installation.....	E15 - E16
Lock & Handle Overview.....	E17 - E19
Interlock Details.....	E20 - E26
Sash to Sash Locking Stile.....	E27 - E30
VG632 Locking Detail.....	E31
Sash Installation.....	E32
ACVG528 Position Details.....	E33
Fixed Sash Installation.....	E34
ACUG830 Fixing Detail.....	E35
VG514 & VG515 Cutting & Fitting.....	E36
VG519 Assembly.....	E37 - E38
Sobinco Lift & Slide Hardware Overview.....	E39
Sobinco Lift & Slide Lock & Handle Preparation Details.....	E40 - E44
Hautau Lift & Slide Hardware Overview.....	E45
Hautau Lift & Slide Lock & Handle Preparation Details.....	E46 - E49
Hautau Soft Close Mechanism.....	E50 - E52
Lift & Slide Slim Interlock Preparation.....	E53
VG516/VG518 Details & Installation.....	E54 - E55
Monorail Assembly.....	E56 - E58
Head Extension Fitting Details.....	E59
Glazing Chart.....	E60 - E64
PAS24:2012 Overview	E65
ACUN348 Buffer.....	E66
Floating Corner Assembly.....	E67 - E70



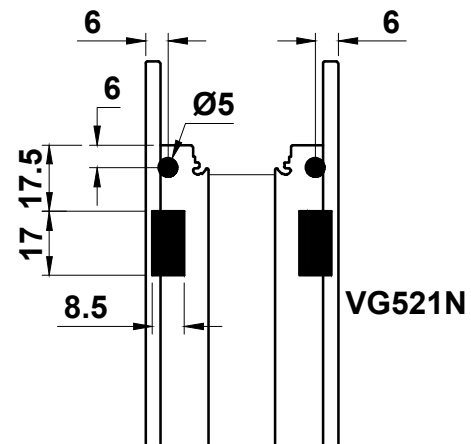
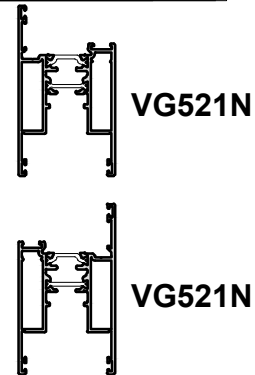
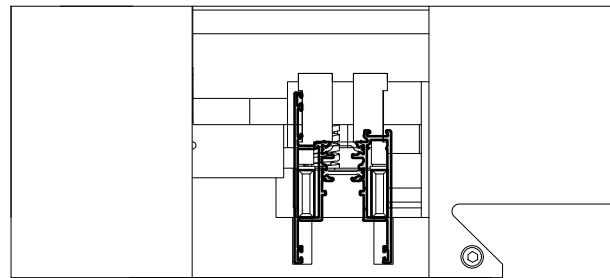
ACVG905 Punch Tool Sections



Do Not Scale From This Drawing

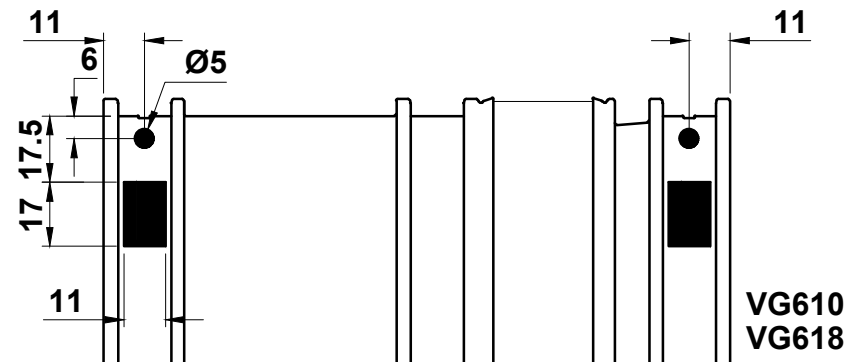
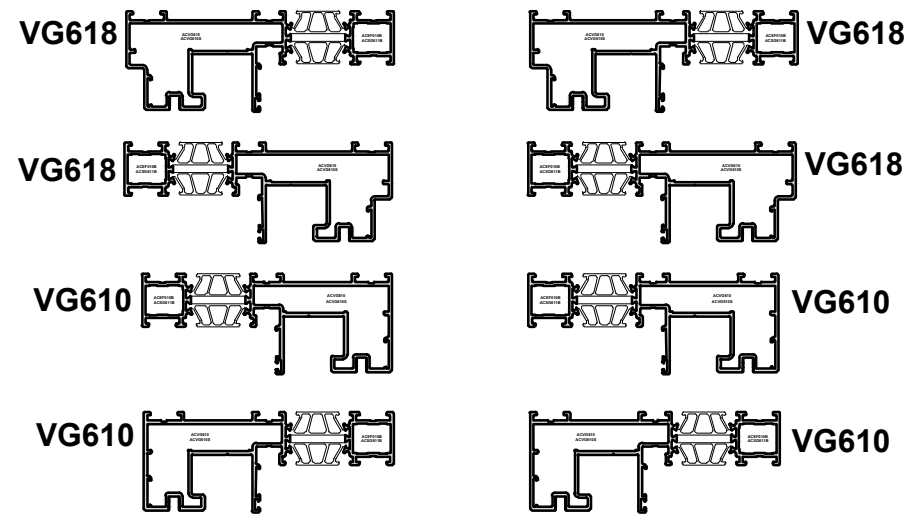
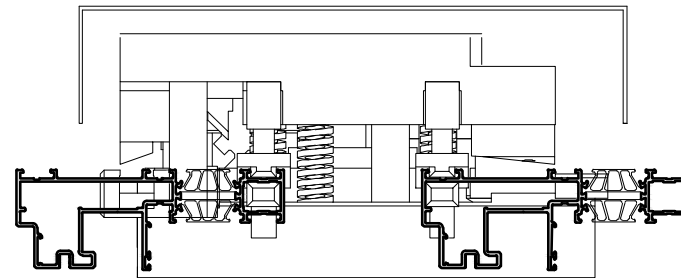
ACVG900 Punch Tool Details

Position 5

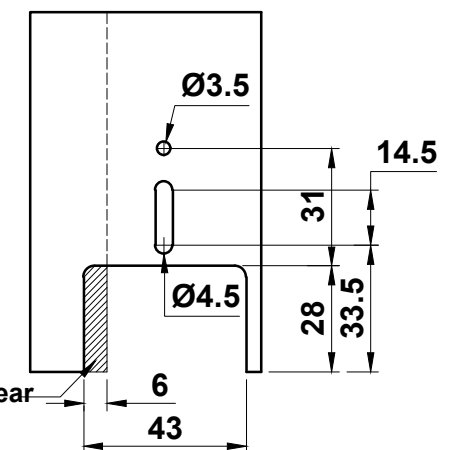
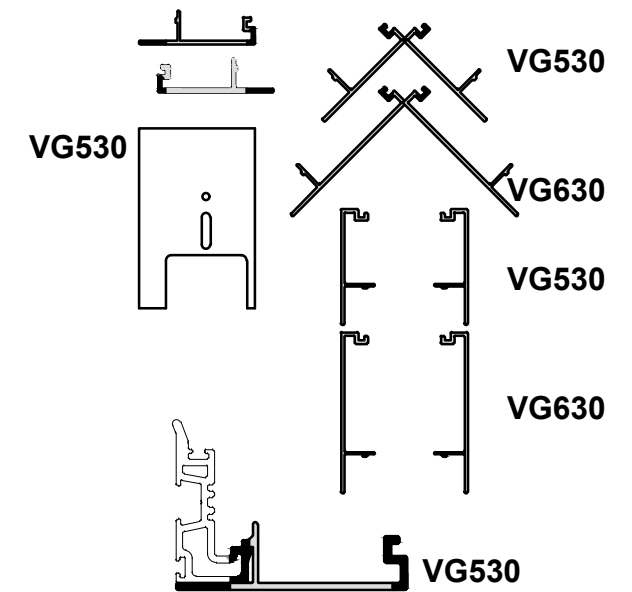
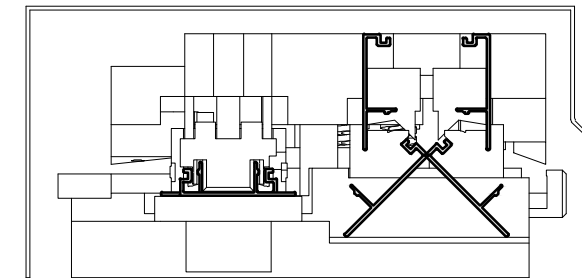


Please Note: ACGV900 will not punch the 25 X 14.5mm cut out in VG630.

Position 4



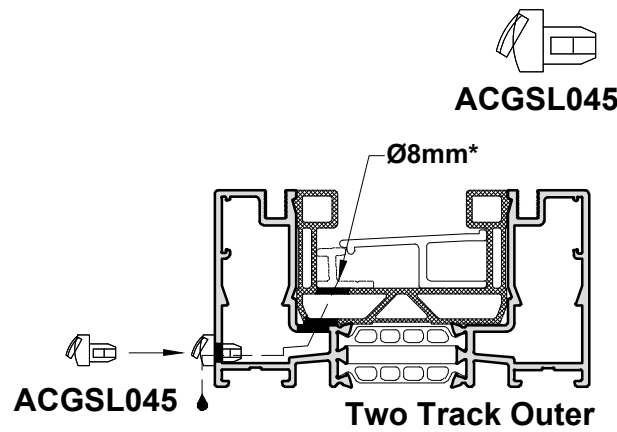
Position 1, 2 & 3



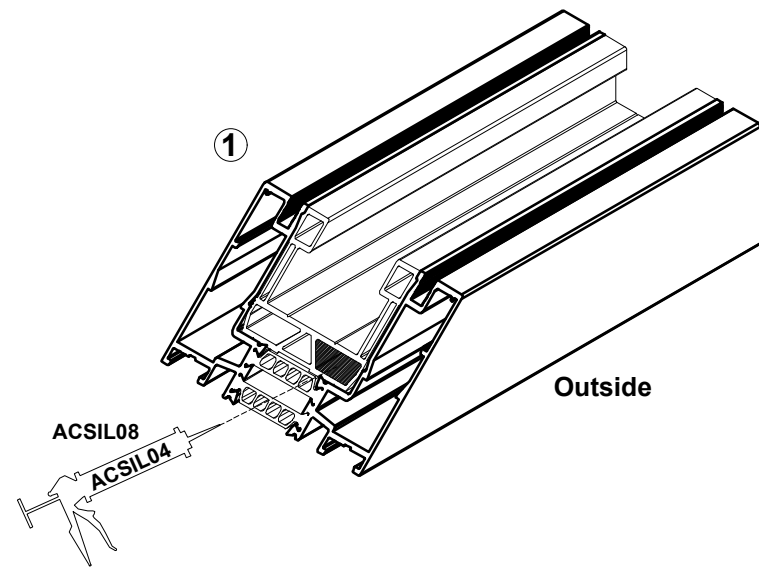
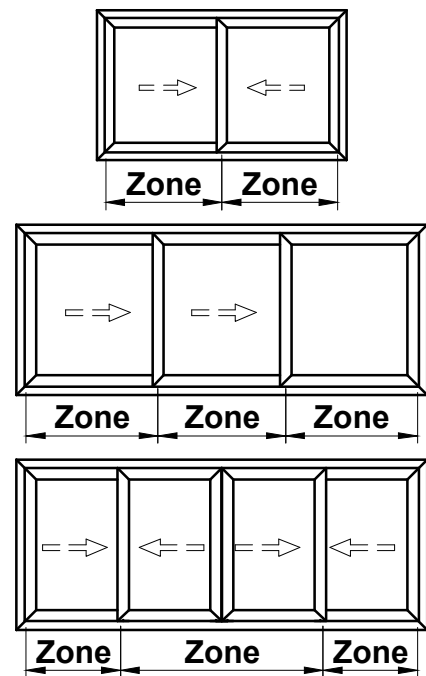
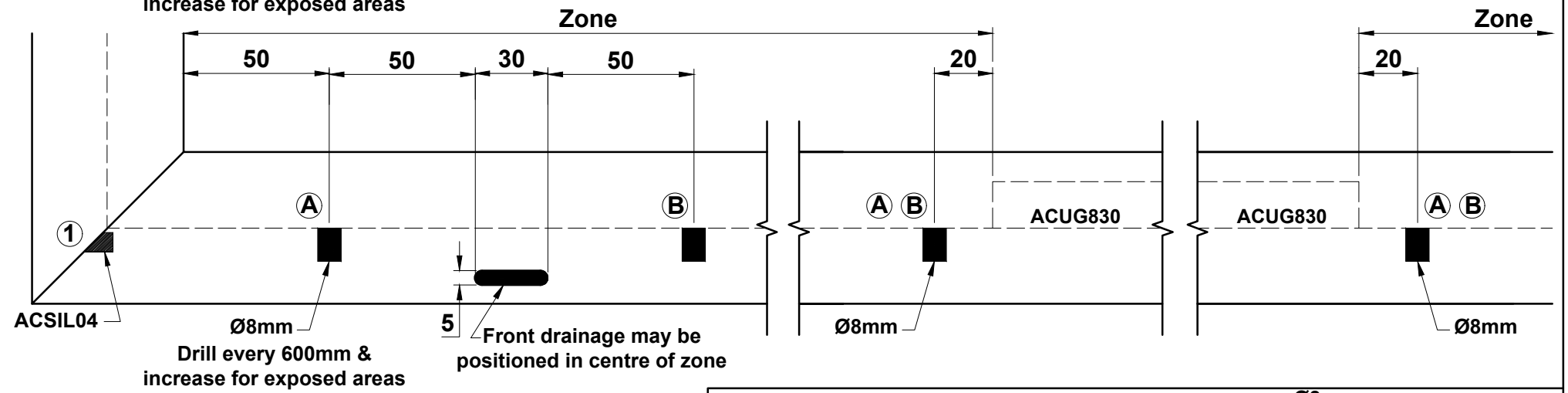
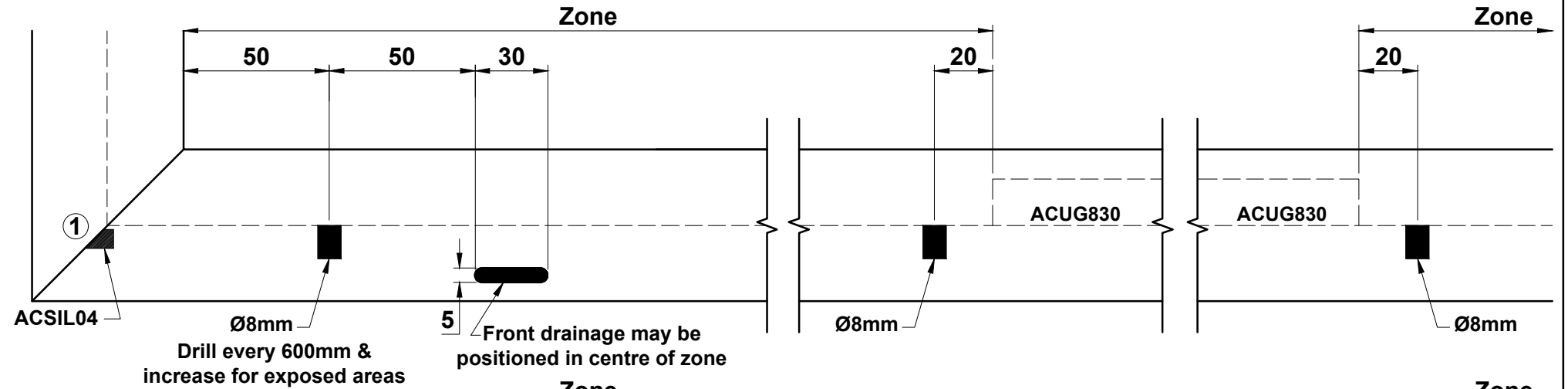
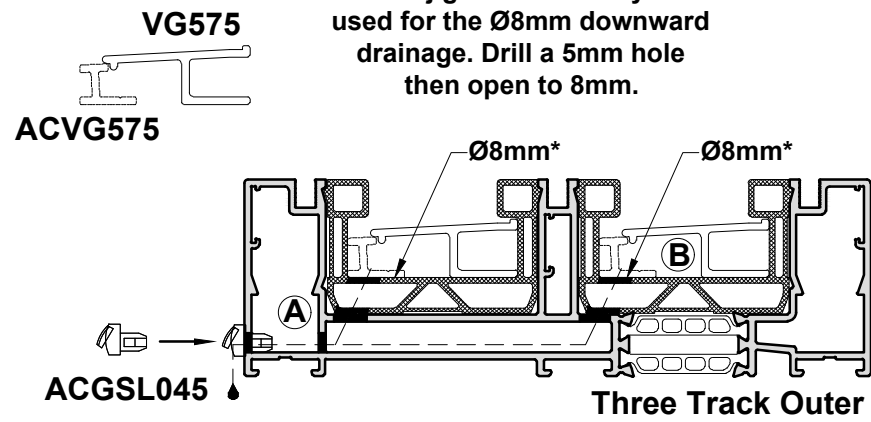
Notch VG551R to clear end prep of VG530

Do Not Scale From This Drawing

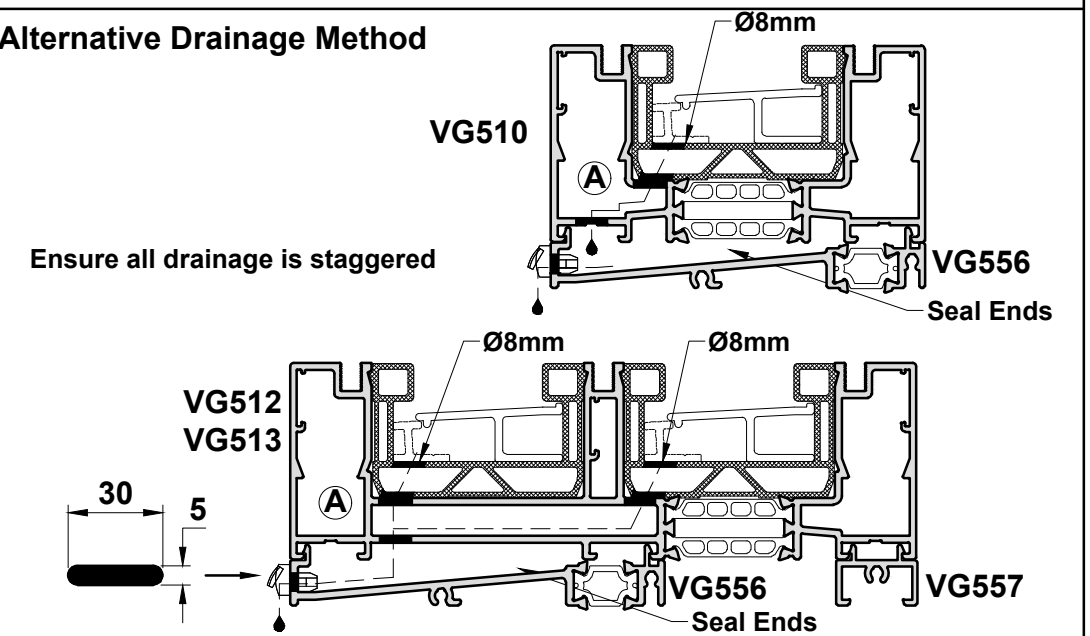
Outer Frame Drainage Details



*Drill jig ACVG950 may be used for the Ø8mm downward drainage. Drill a 5mm hole then open to 8mm.

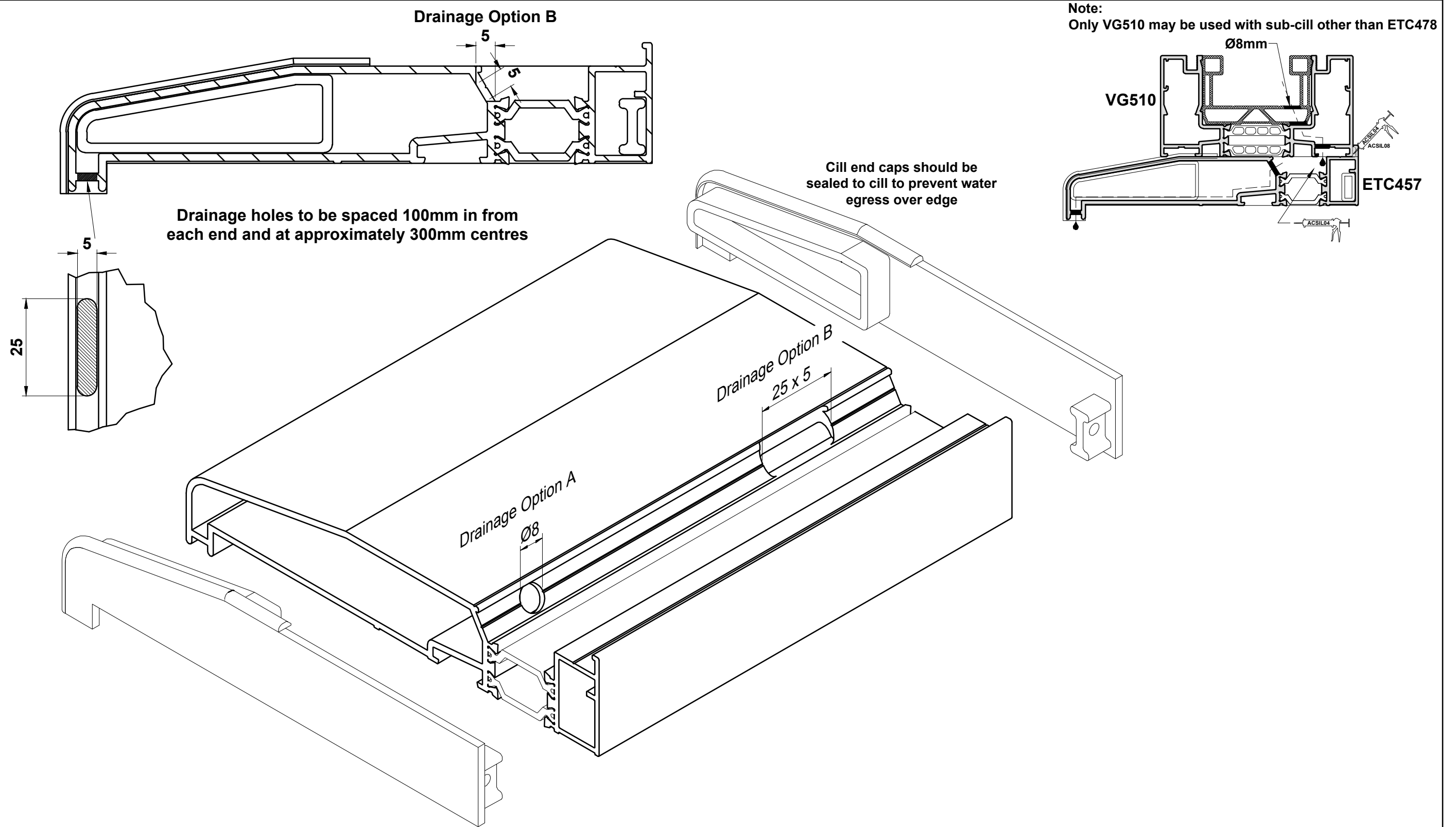


Alternative Drainage Method



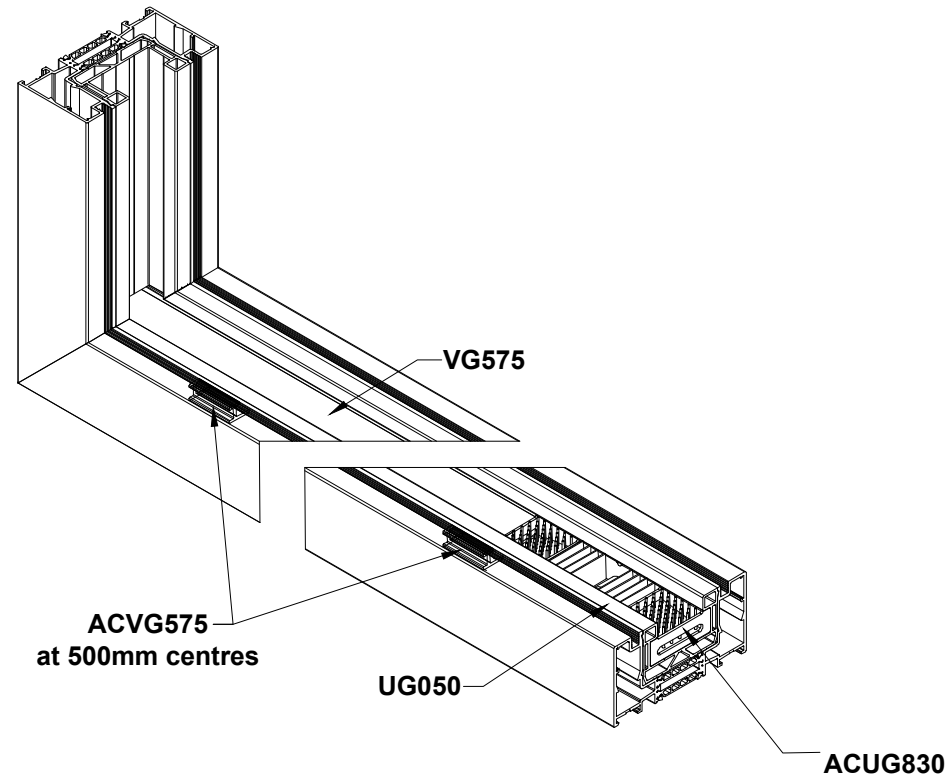
Do Not Scale From This Drawing

Cill Drainage Details

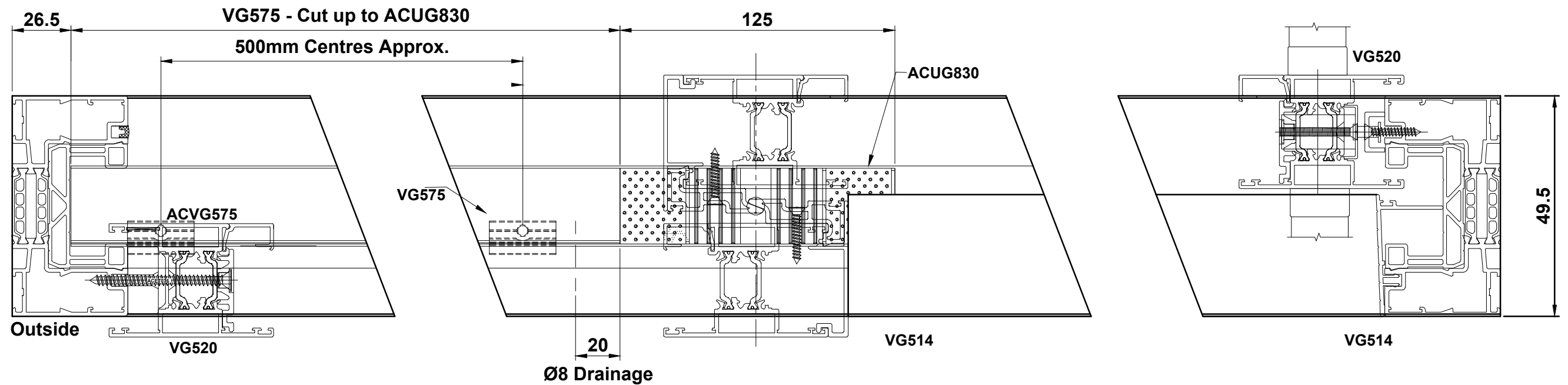
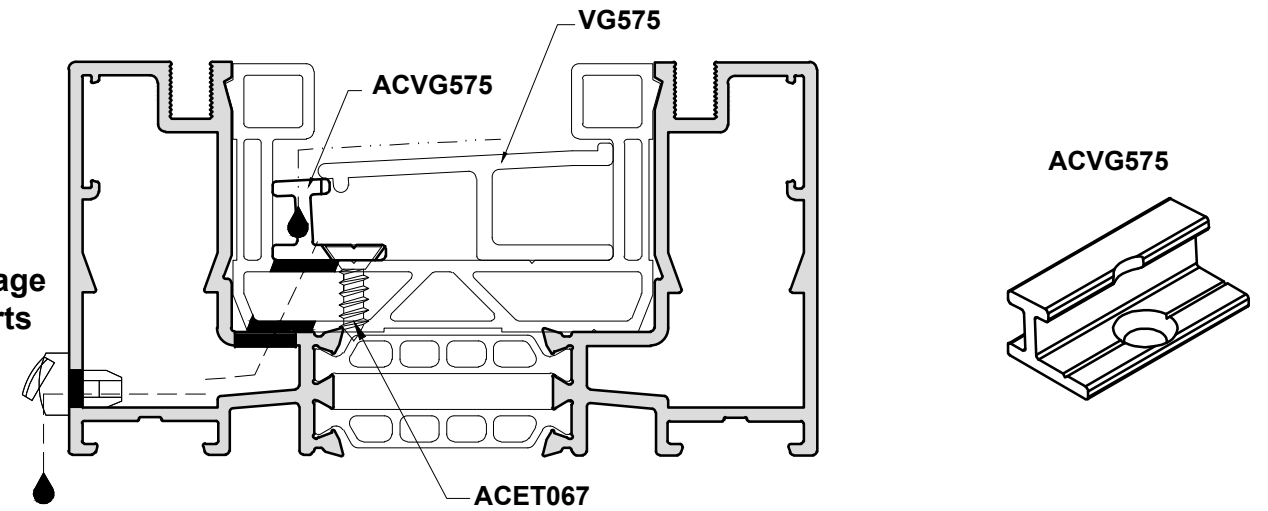


Do Not Scale From This Drawing

VG575 Drainage Track Infill Detail

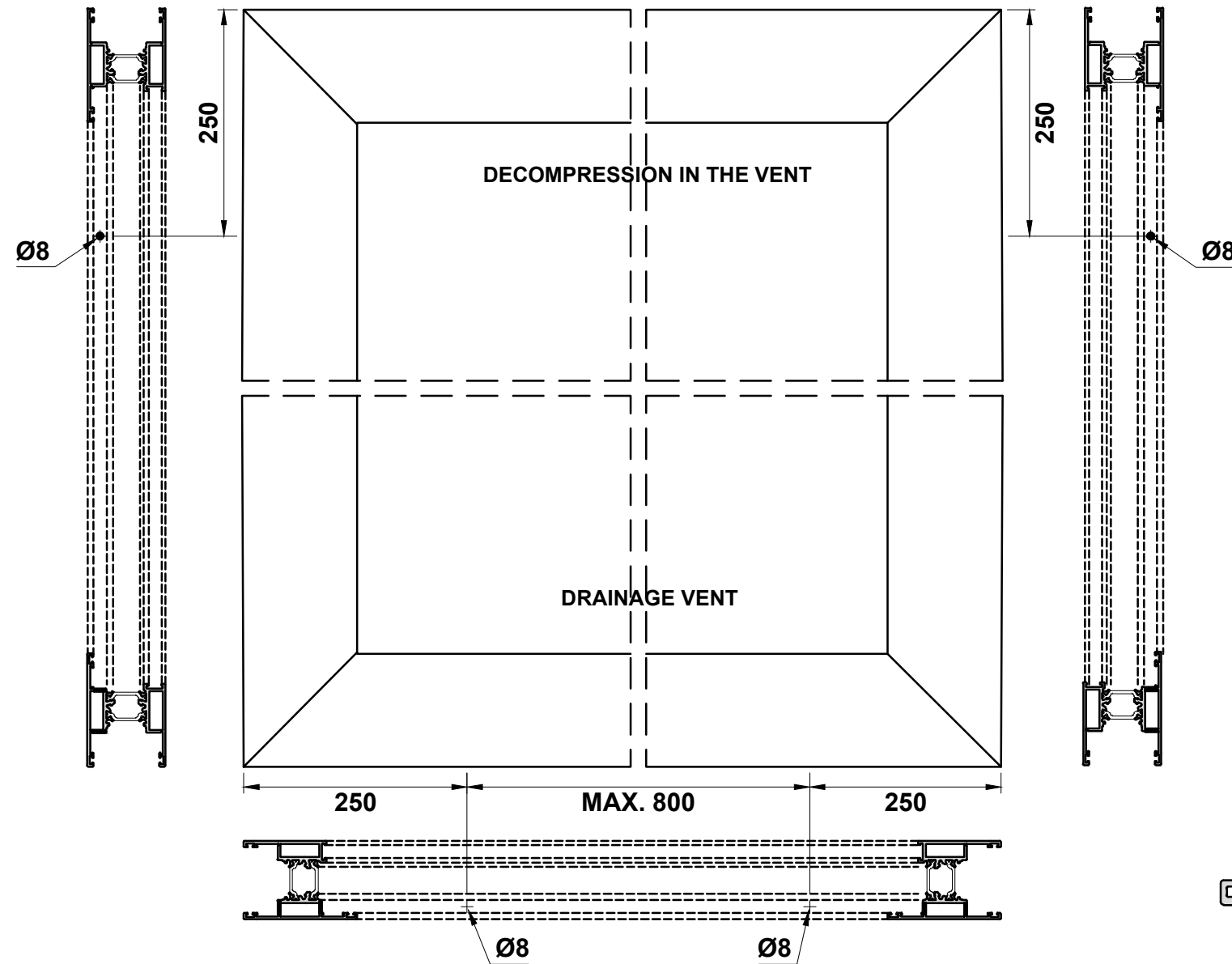


Ensure at least 1 x Ø8mm drainage hole between ACVG575 supports

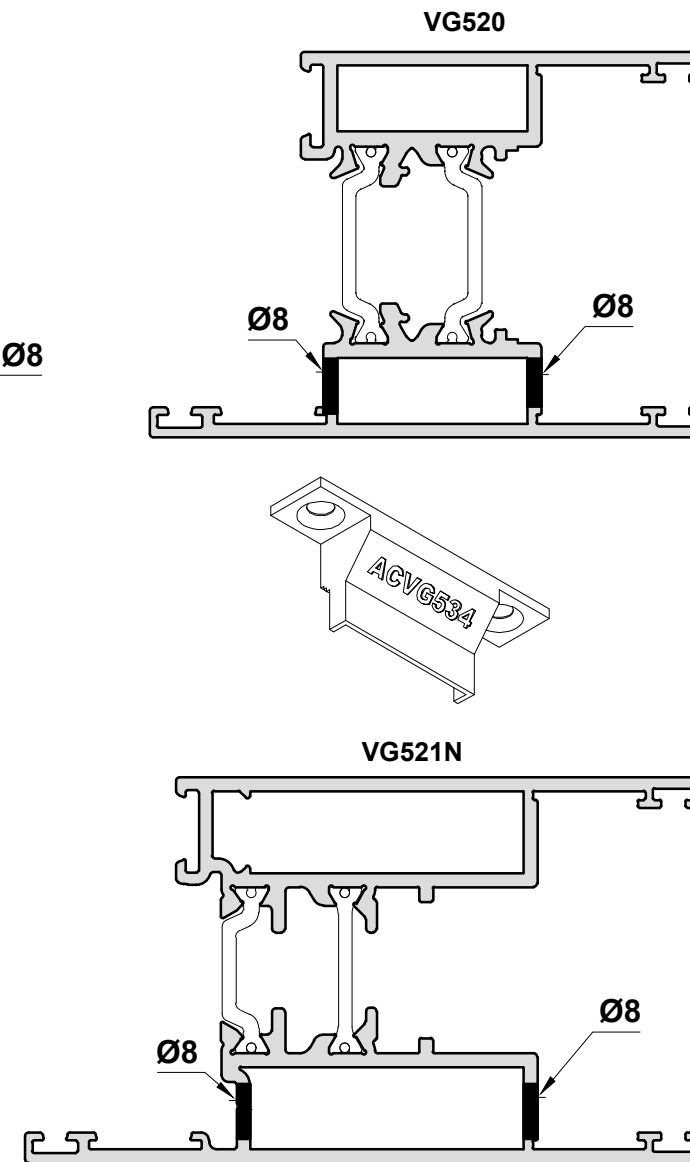


Do Not Scale From This Drawing

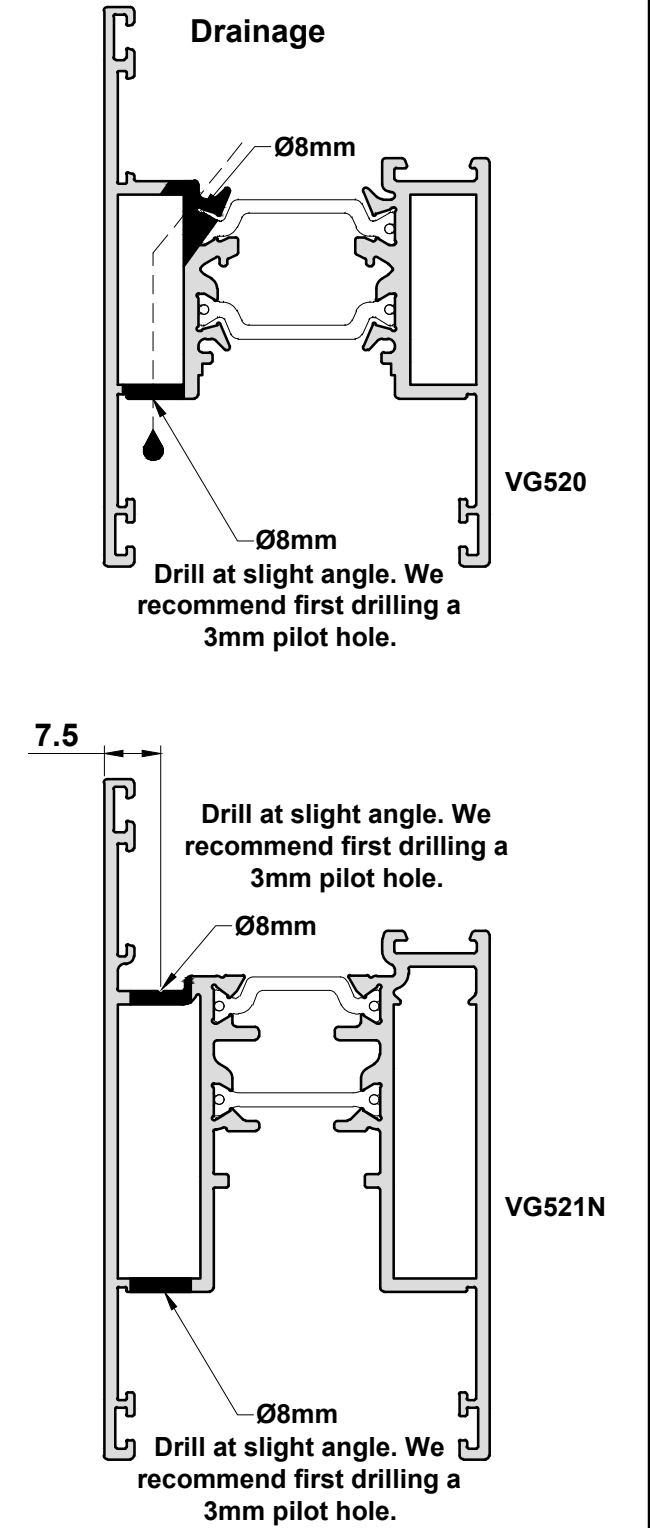
Vent Drainage & Decompression



Decompression

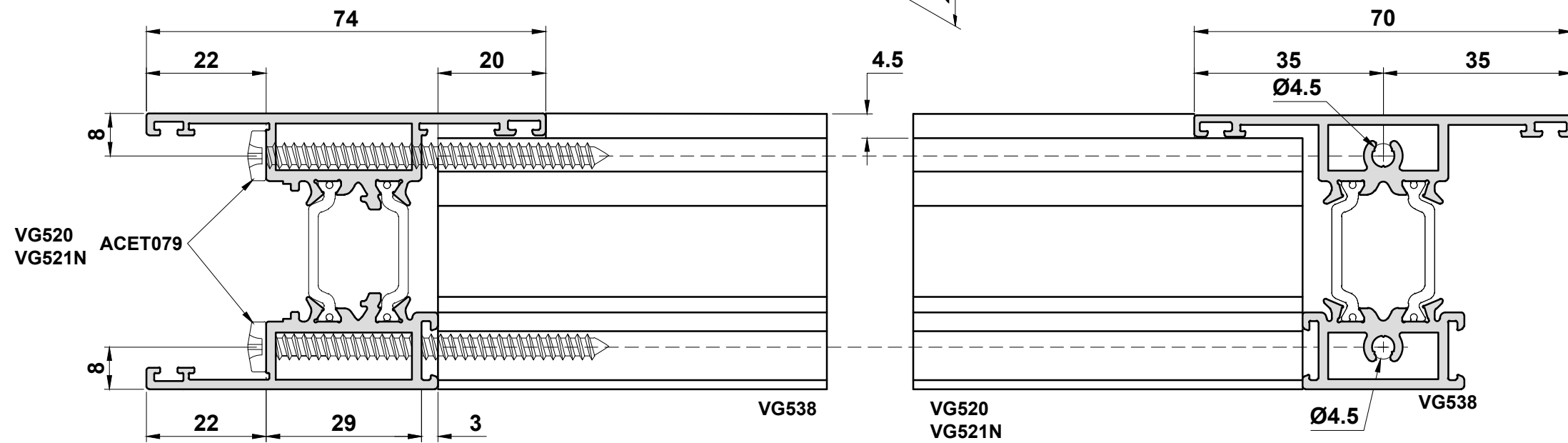
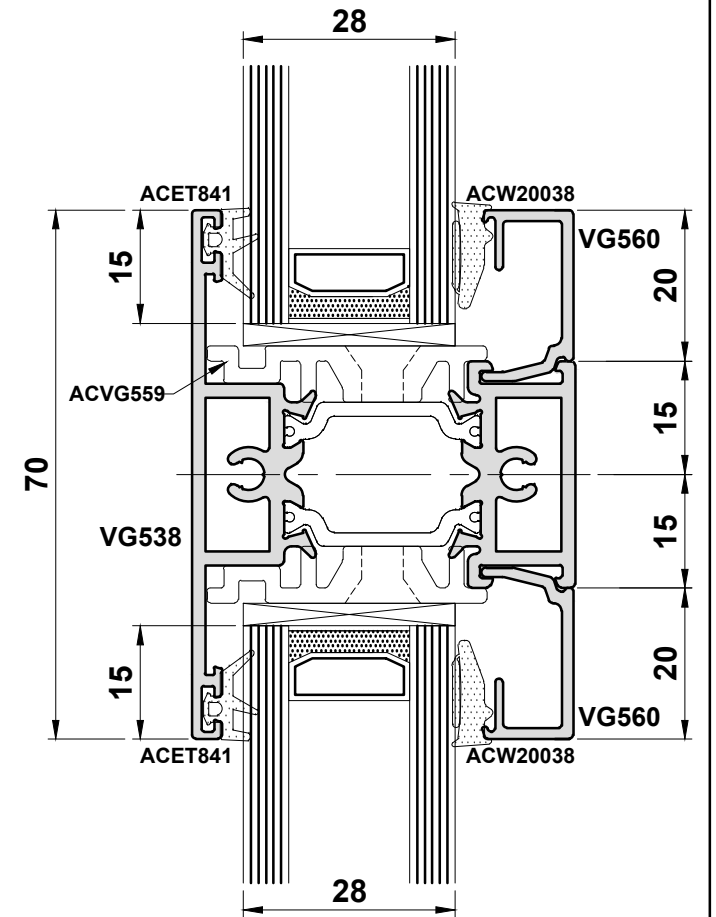
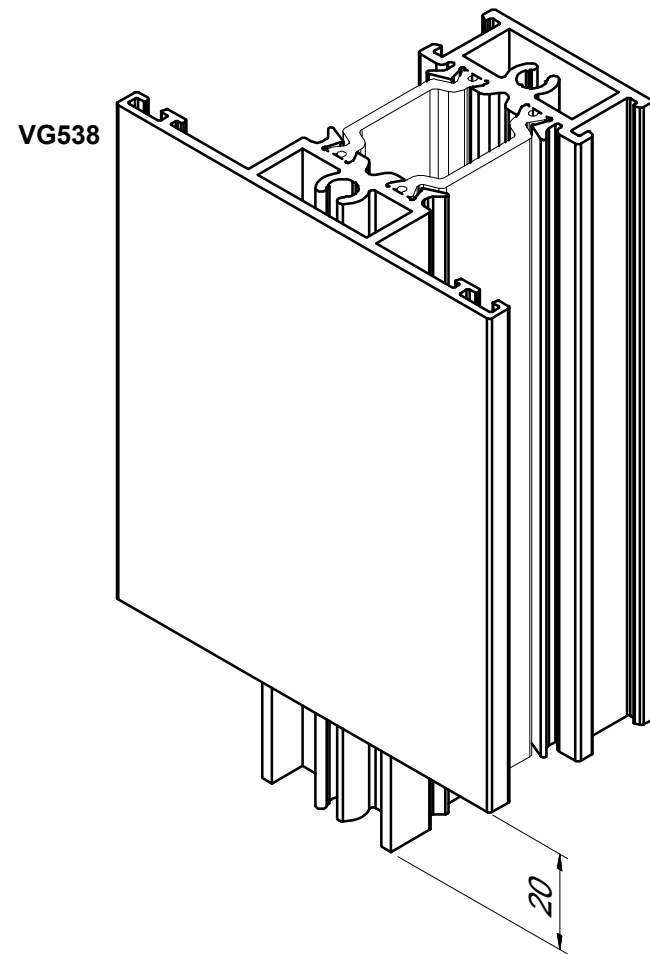
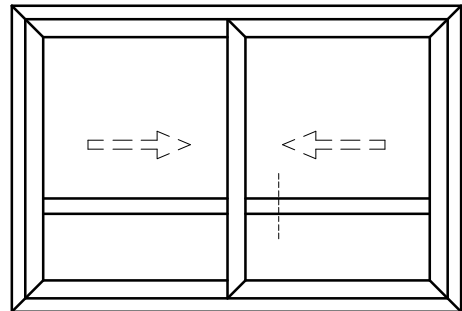


Drainage



Do Not Scale From This Drawing

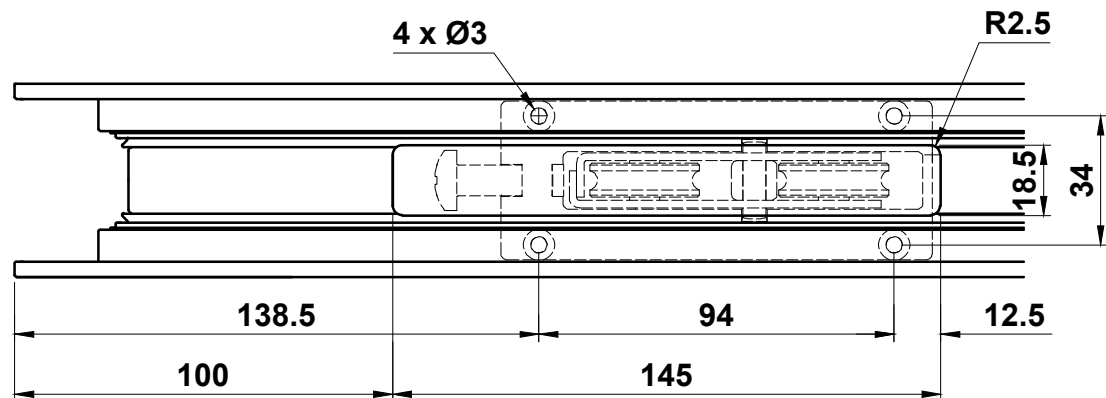
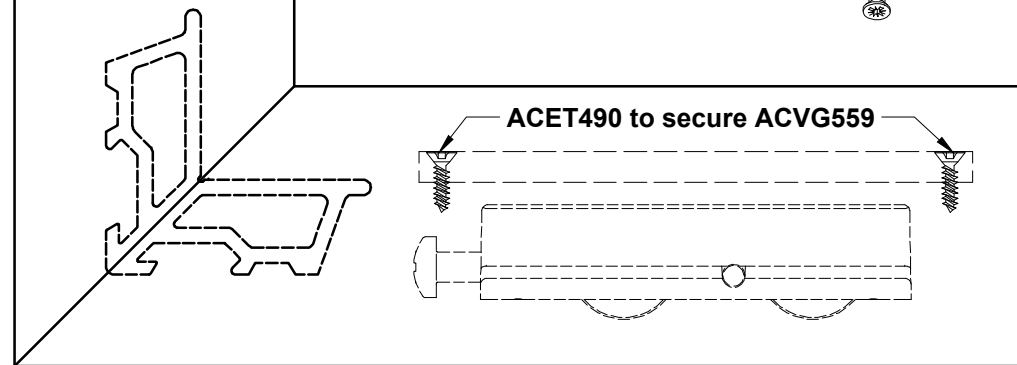
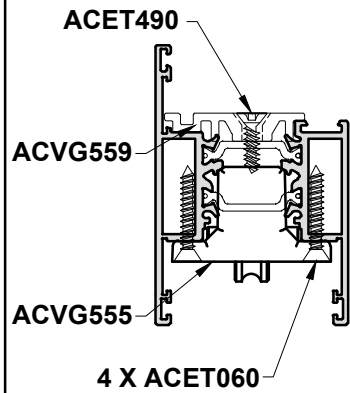
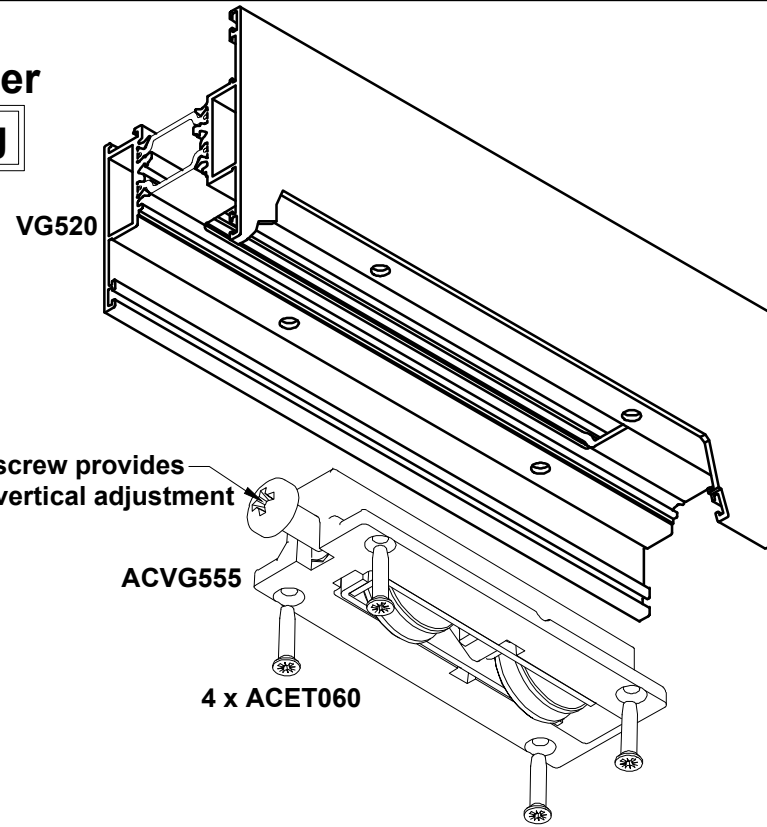
VG538 Sash Transom



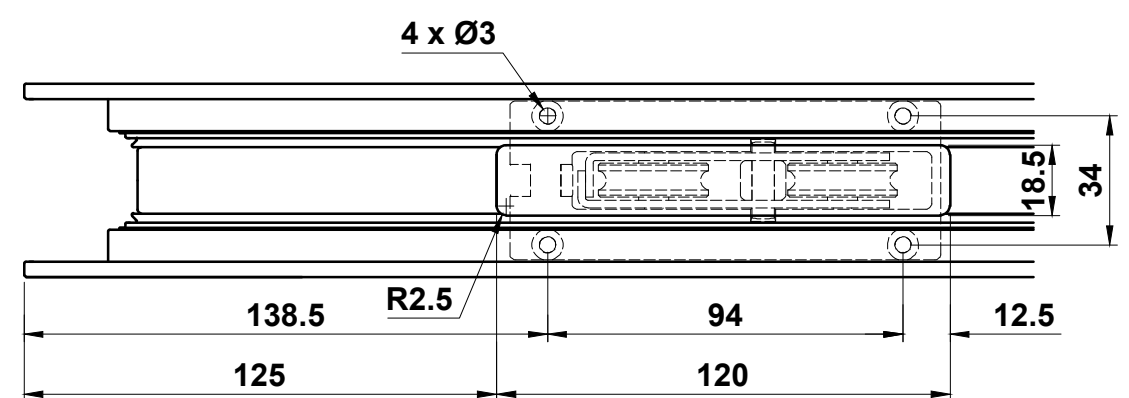
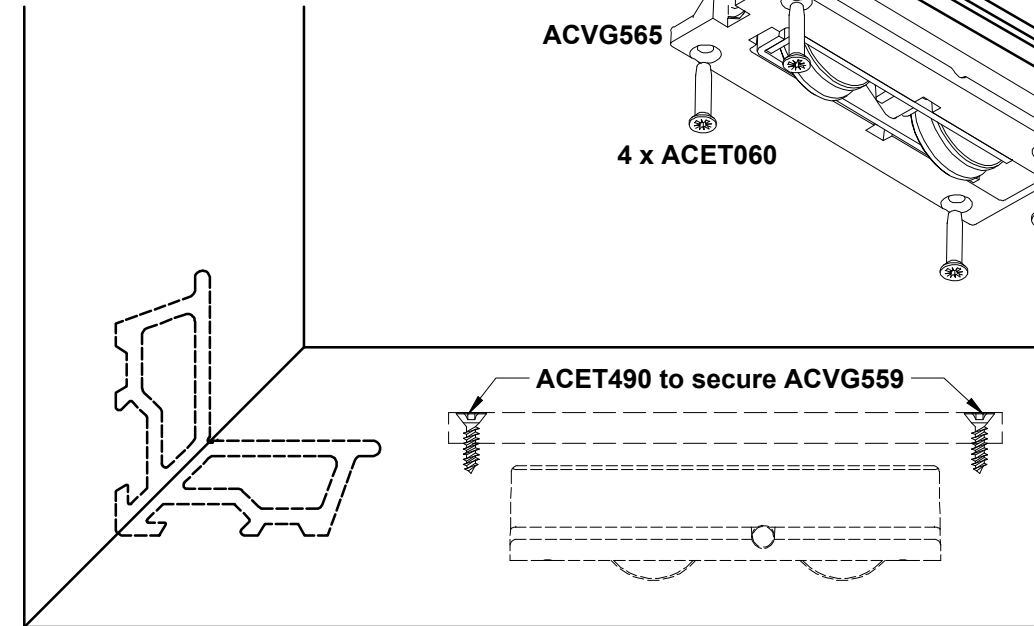
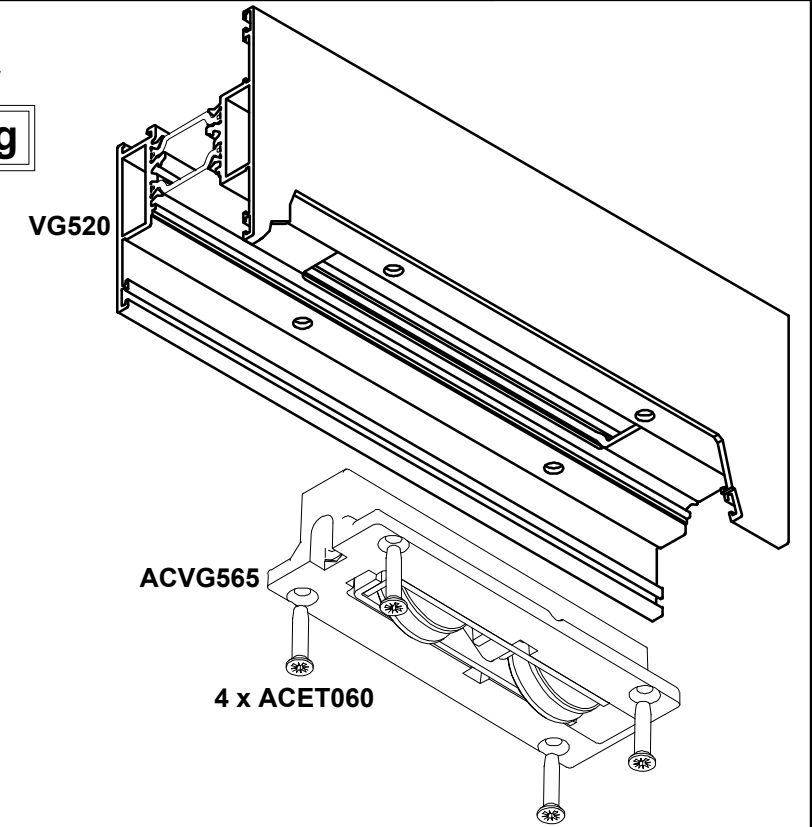
Do Not Scale From This Drawing

VG520 Roller Preparation & Fixing

ACVG555 Adjustable Roller
Max Sash Weight: 250kg



ACVG565 Fixed Roller
Max Sash Weight: 250kg

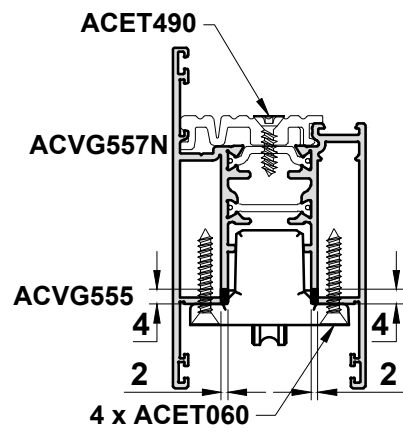


Do Not Scale From This Drawing

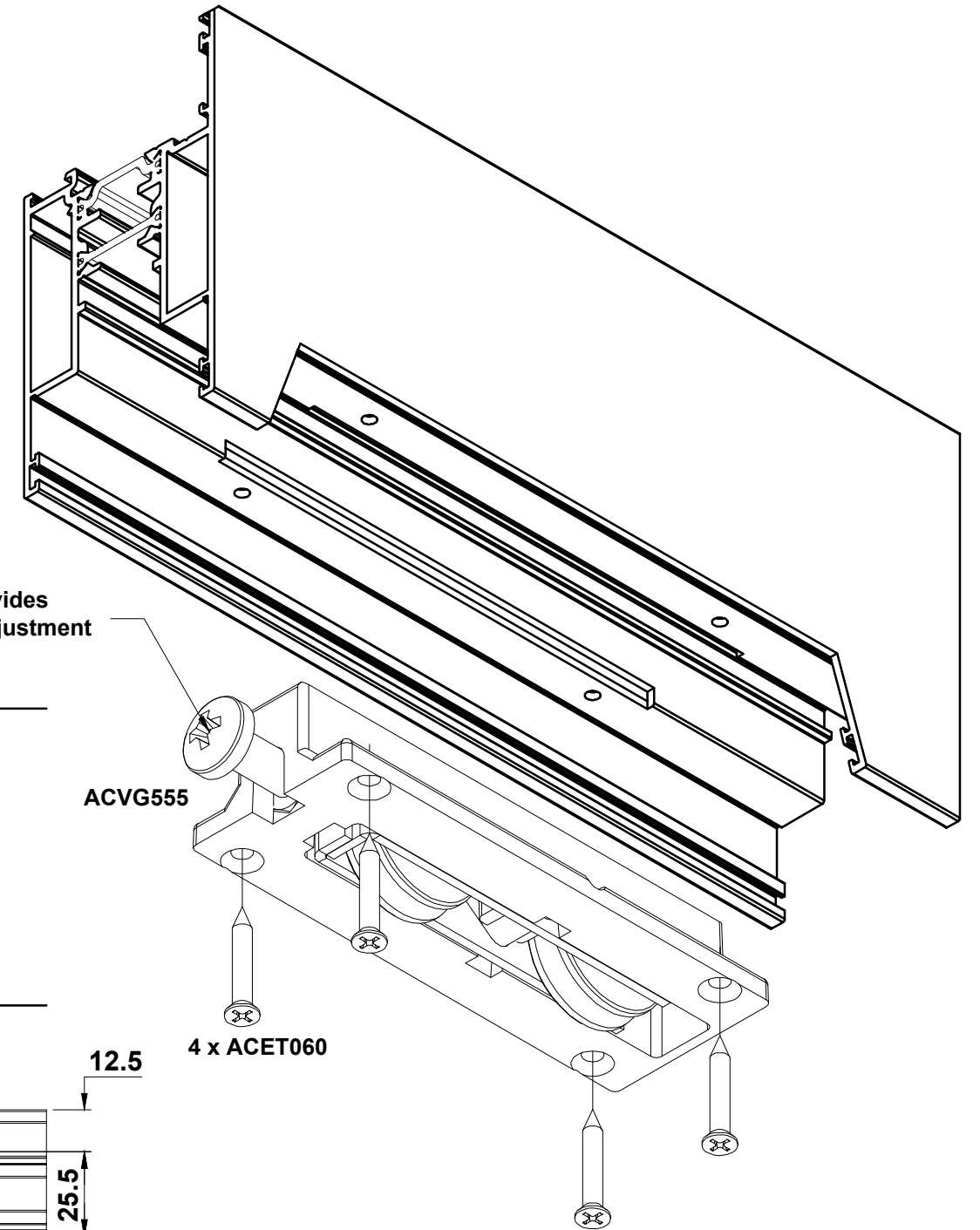
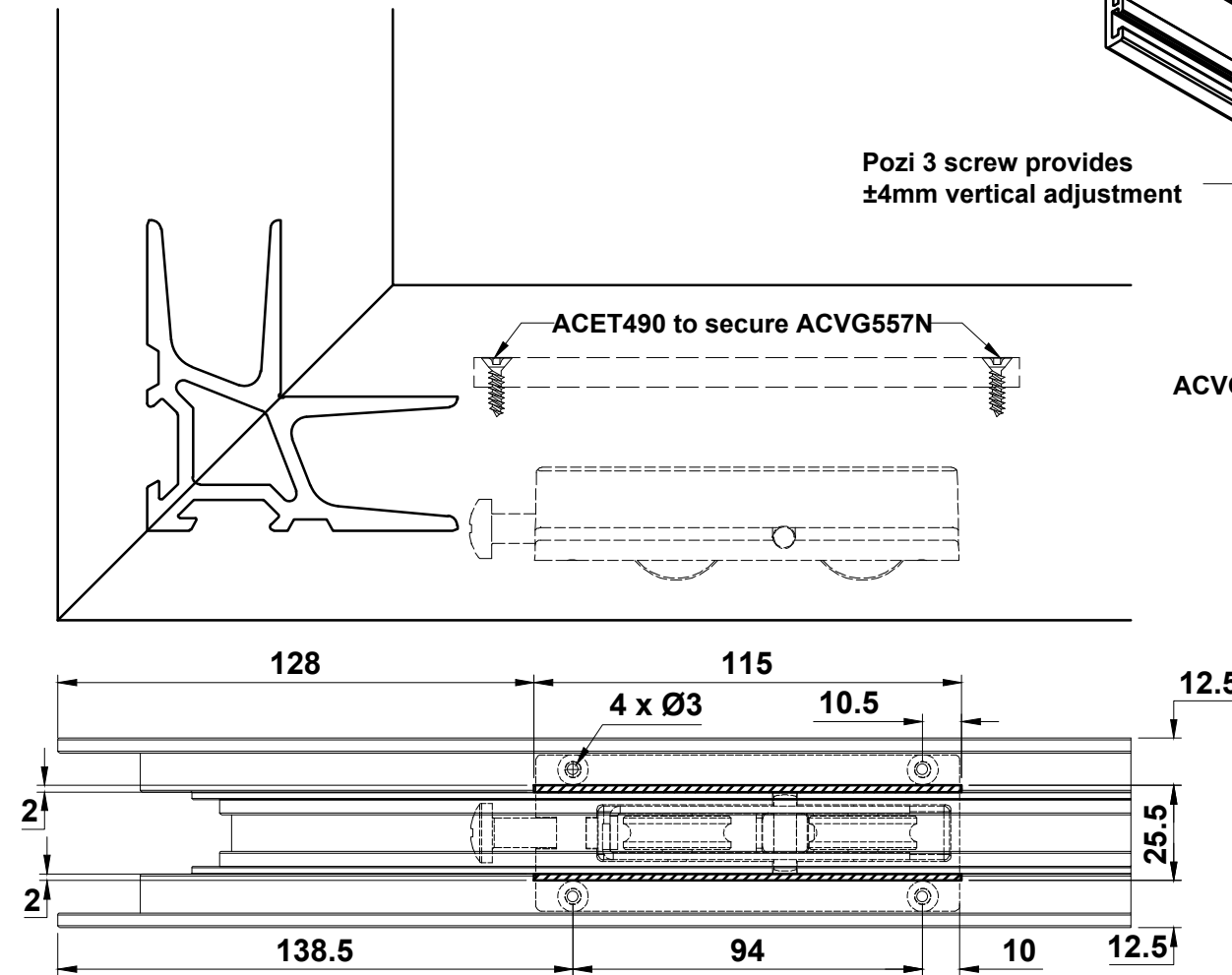
VG521N Roller Preparation & Fixing

**ACVG555 Adjustable Roller (shown) or
ACVG565 Fixed Roller**

Max Sash Weight: 250kg

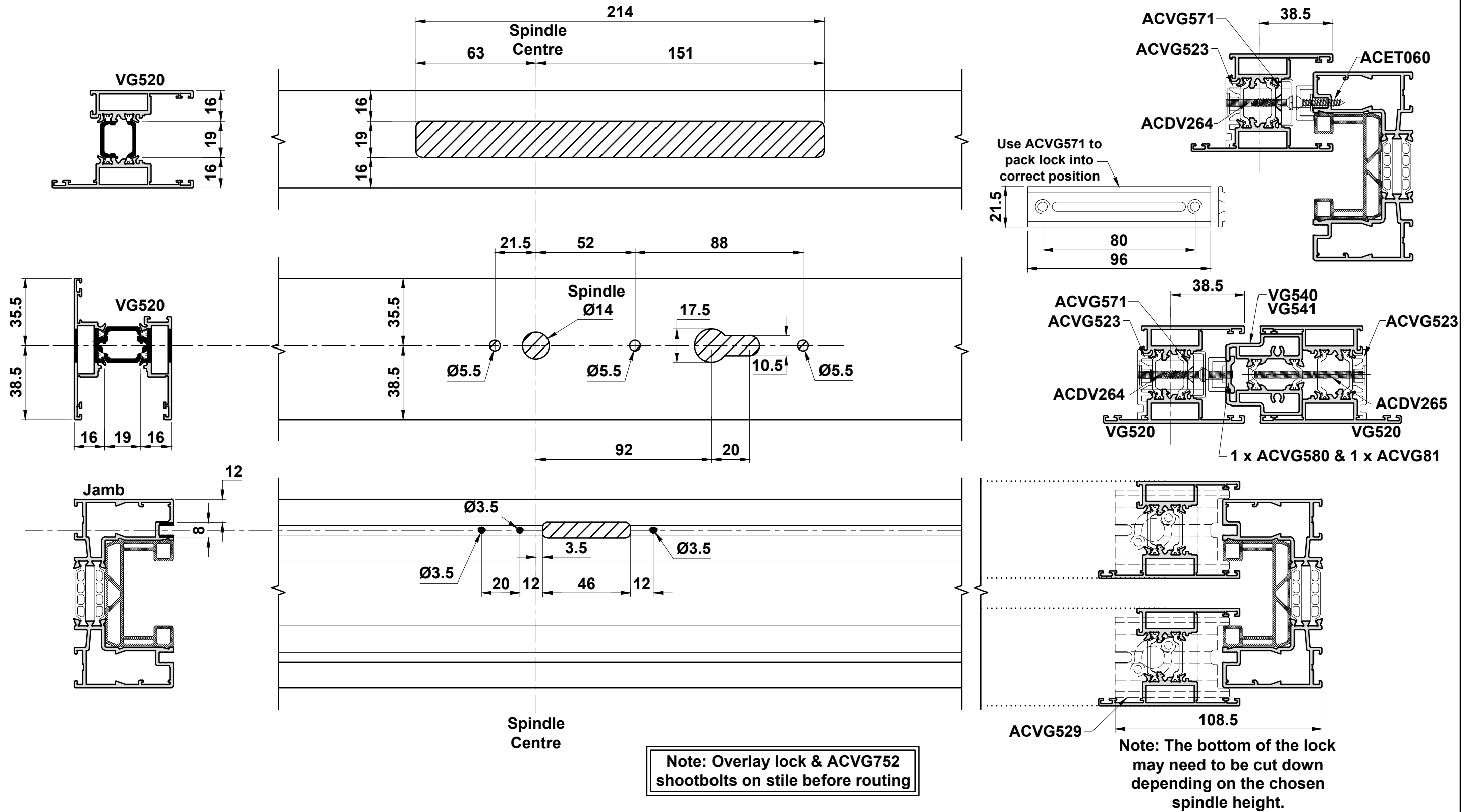


Remove 4mm of inside chamber to allow roller to sit correctly.



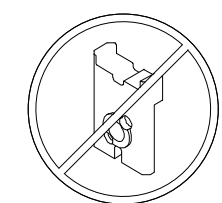
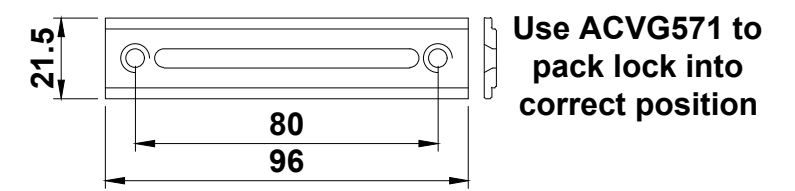
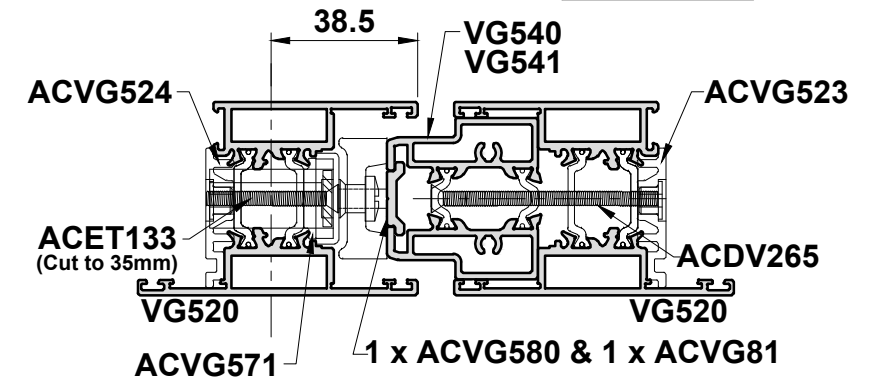
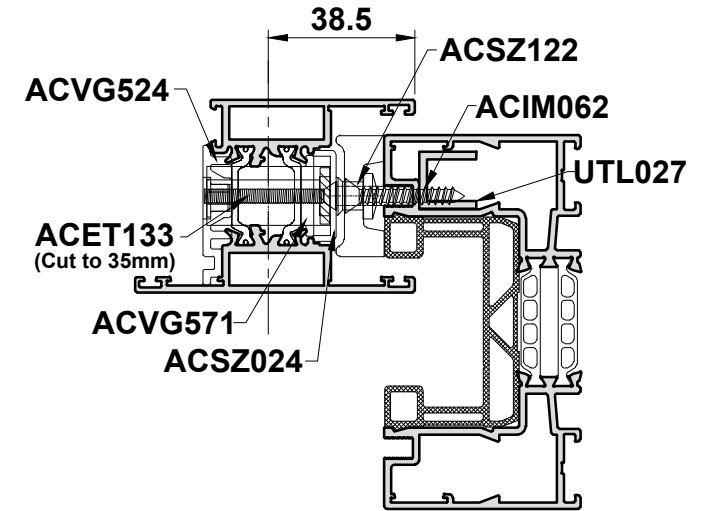
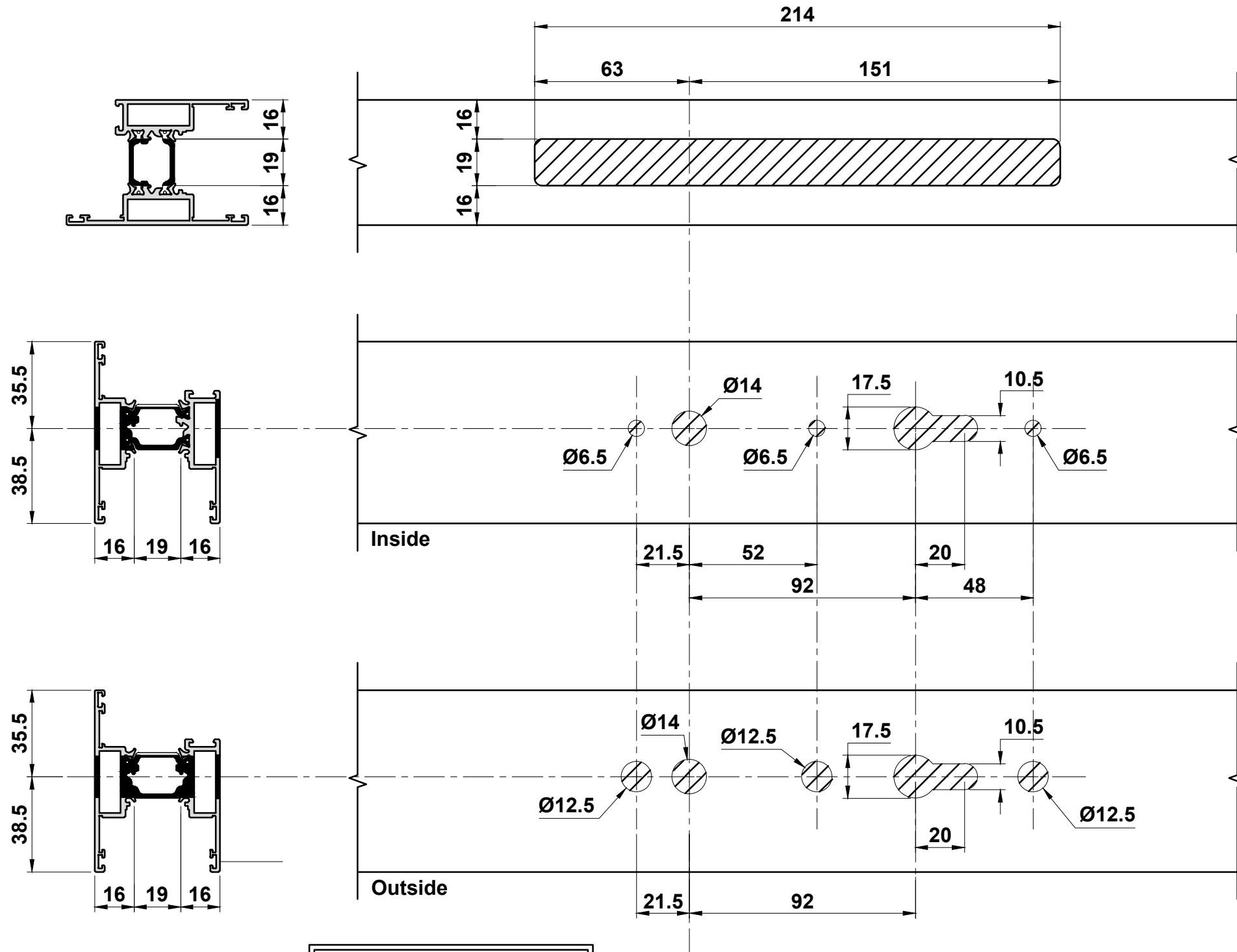
Do Not Scale From This Drawing

Multi-Point Lock Preparation & Installation



Do Not Scale From This Drawing

ACSZ024, 025 & 026 with ACSZ882 & ACSZ883 Preparation & Installation



Note:
ACVG529 cannot be used with PAS24 locks & keeps. Use ACVG528 to centralise the head of sash.

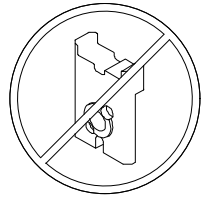
Note: Route slot in jamb as shown on Page E.16

Spindle Centre

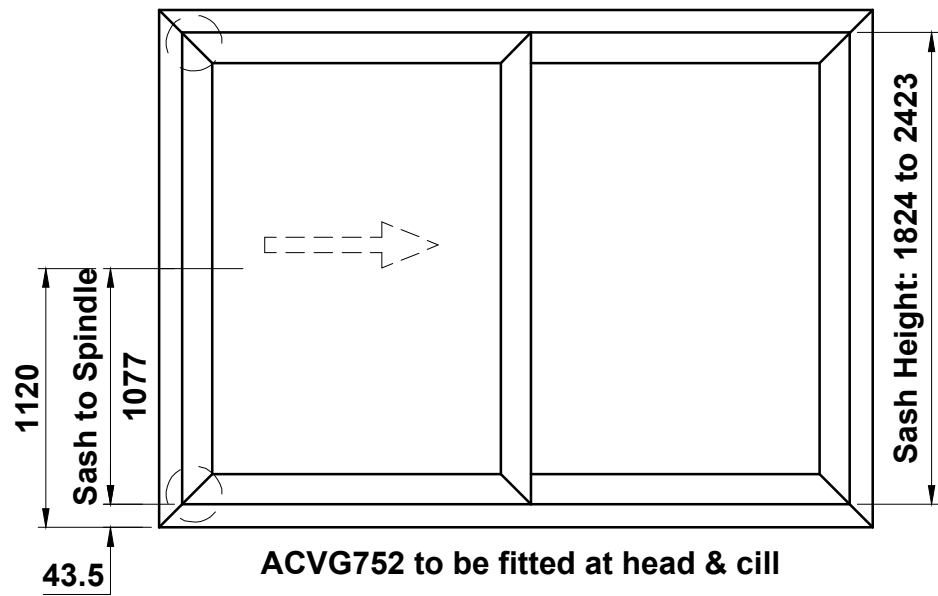
Note: Overlay lock & ACVG752 shootbolts on stile before routing

ACVG752 Shootbolt

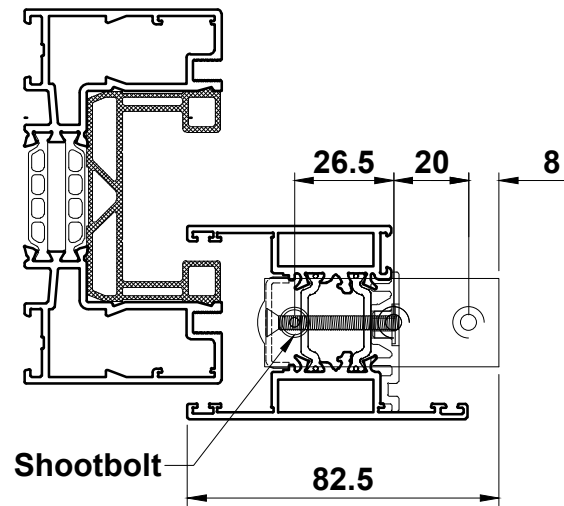
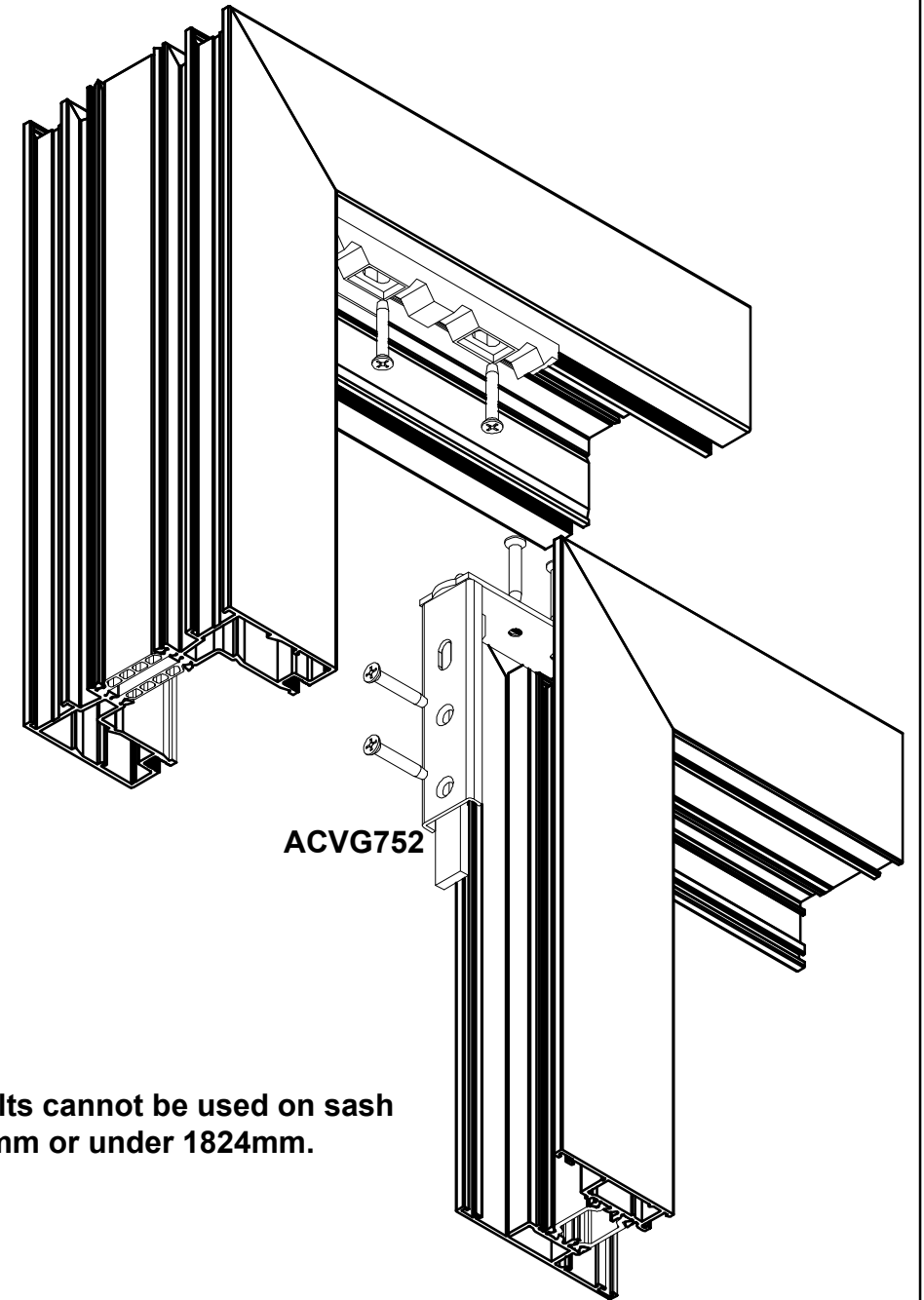
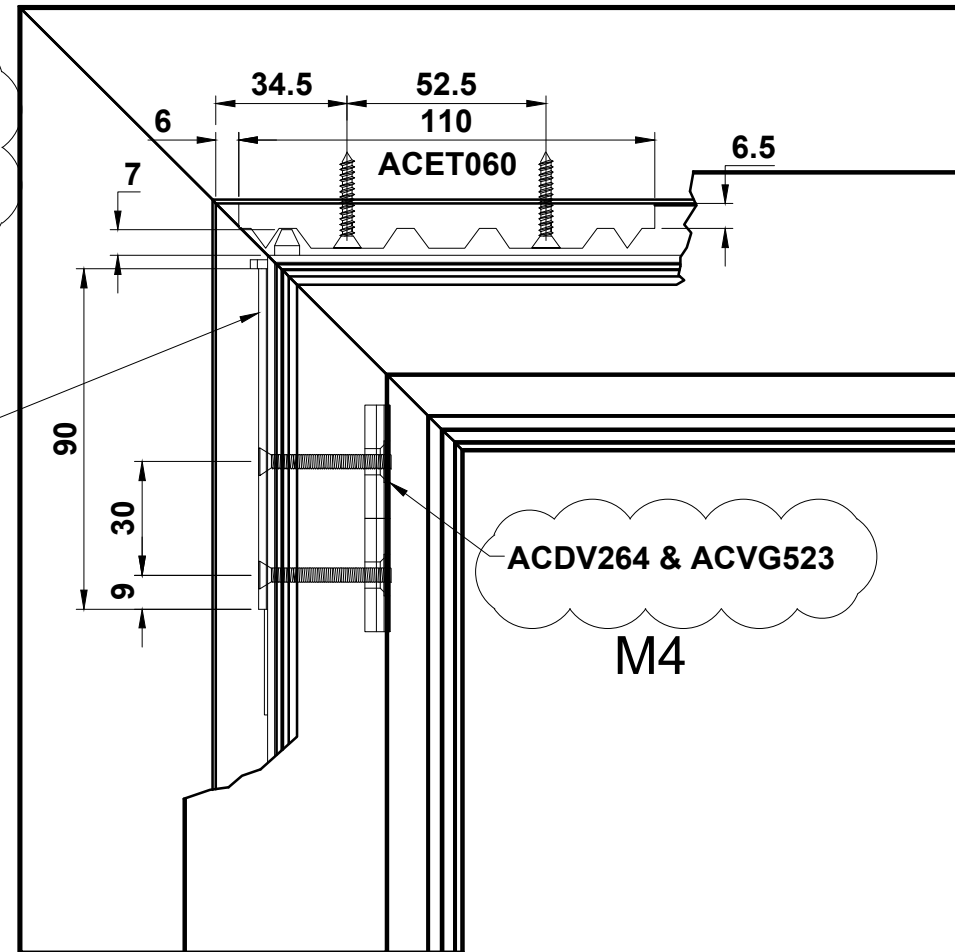
Note:
ACVG529 cannot be used with
ACVG752 shootbolts. Use ACGV528
to centralise the head of sash.



Route polyamide
in Sash for
shootbolt
45mm x 11mm



ACVG752

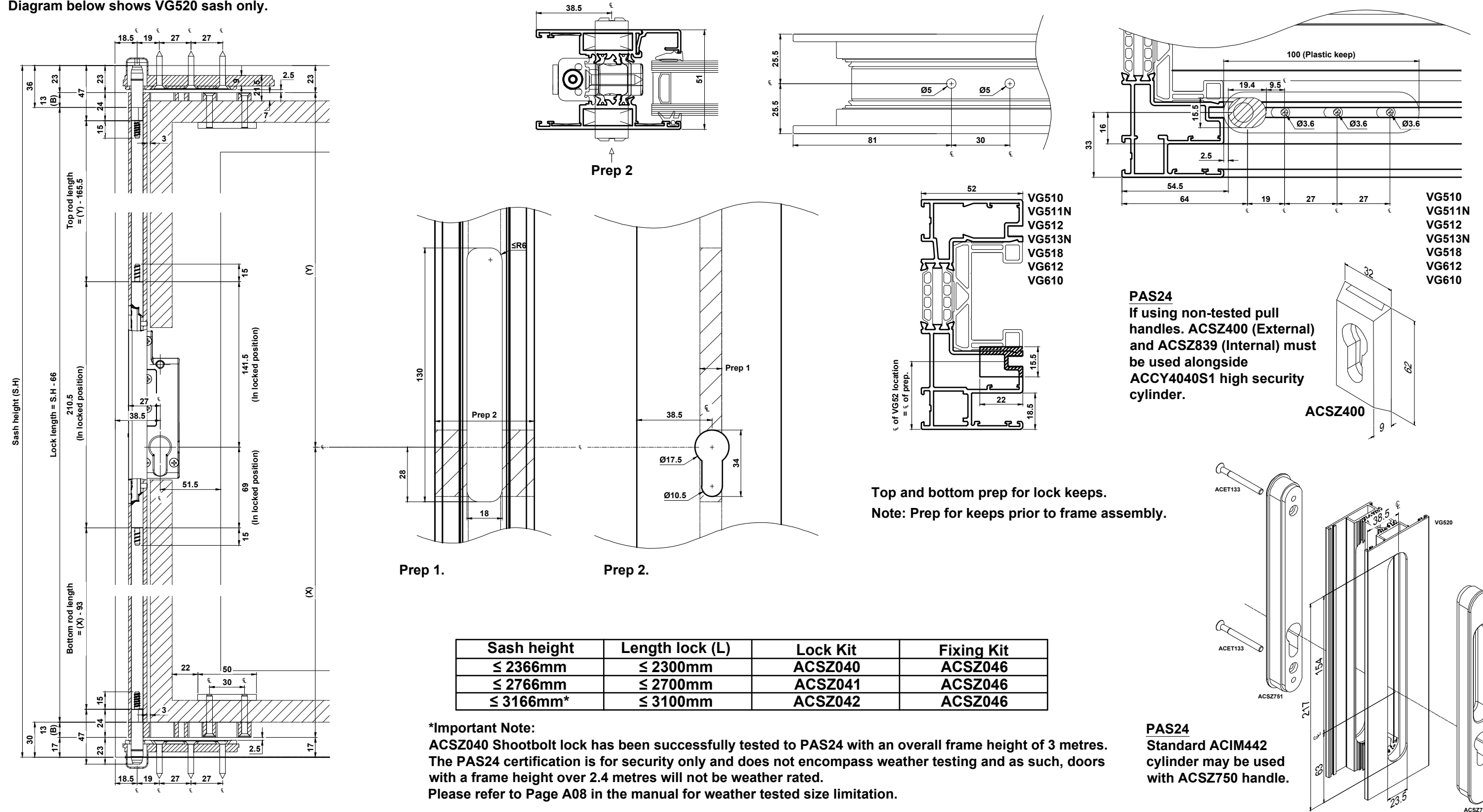


Important Note:
ACVG752 shootbolts cannot be used on sash
heights over 2423mm or under 1824mm.

Do Not Scale From This Drawing

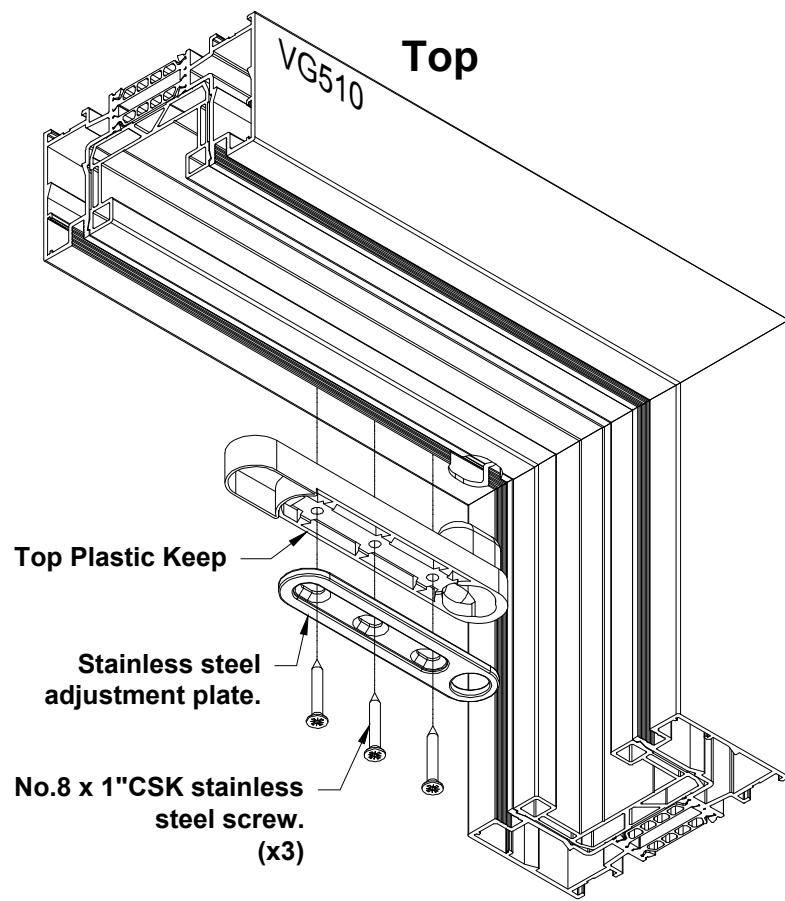
ACSZ040, ACSZ041 & ACSZ042 Details

Diagram below shows VG520 sash only.



Do Not Scale From This Drawing

ACSZ040, ACSZ041 & ACSZ042 Details

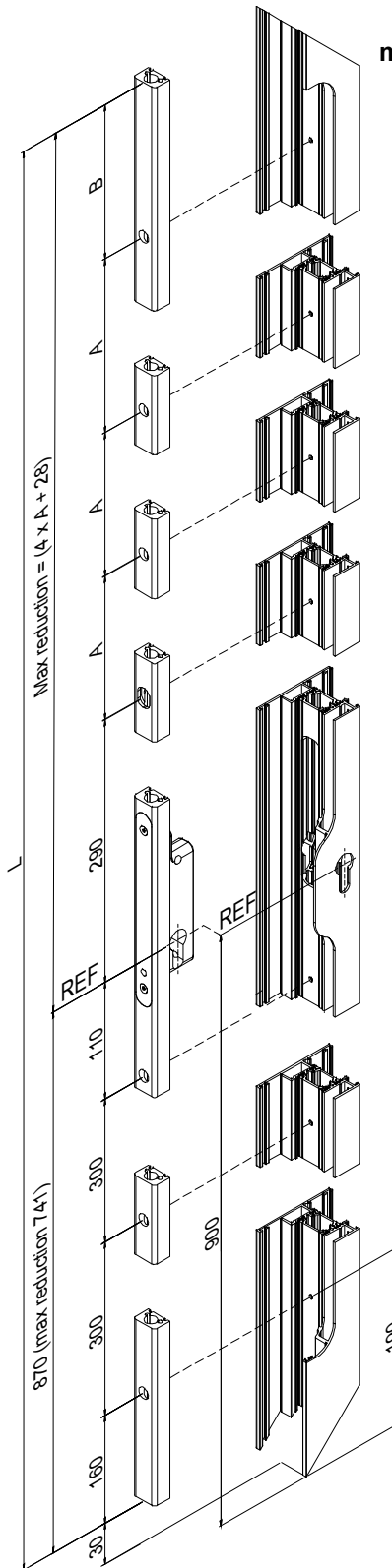
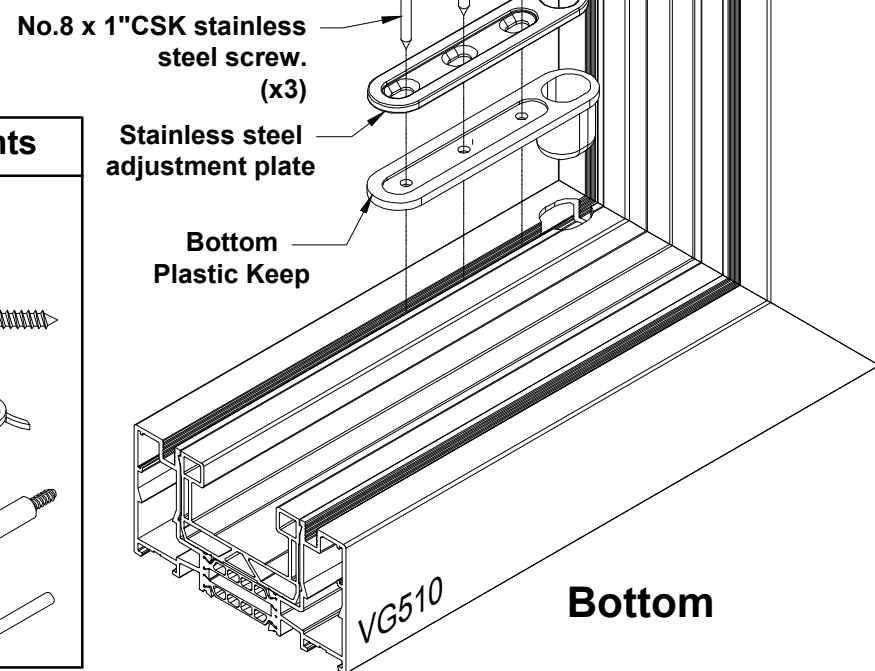


Lock Kit	L	A	B
ACSZ040	2300	300	240
ACSZ041	2700	400	340
ACSZ042	3100	500	440

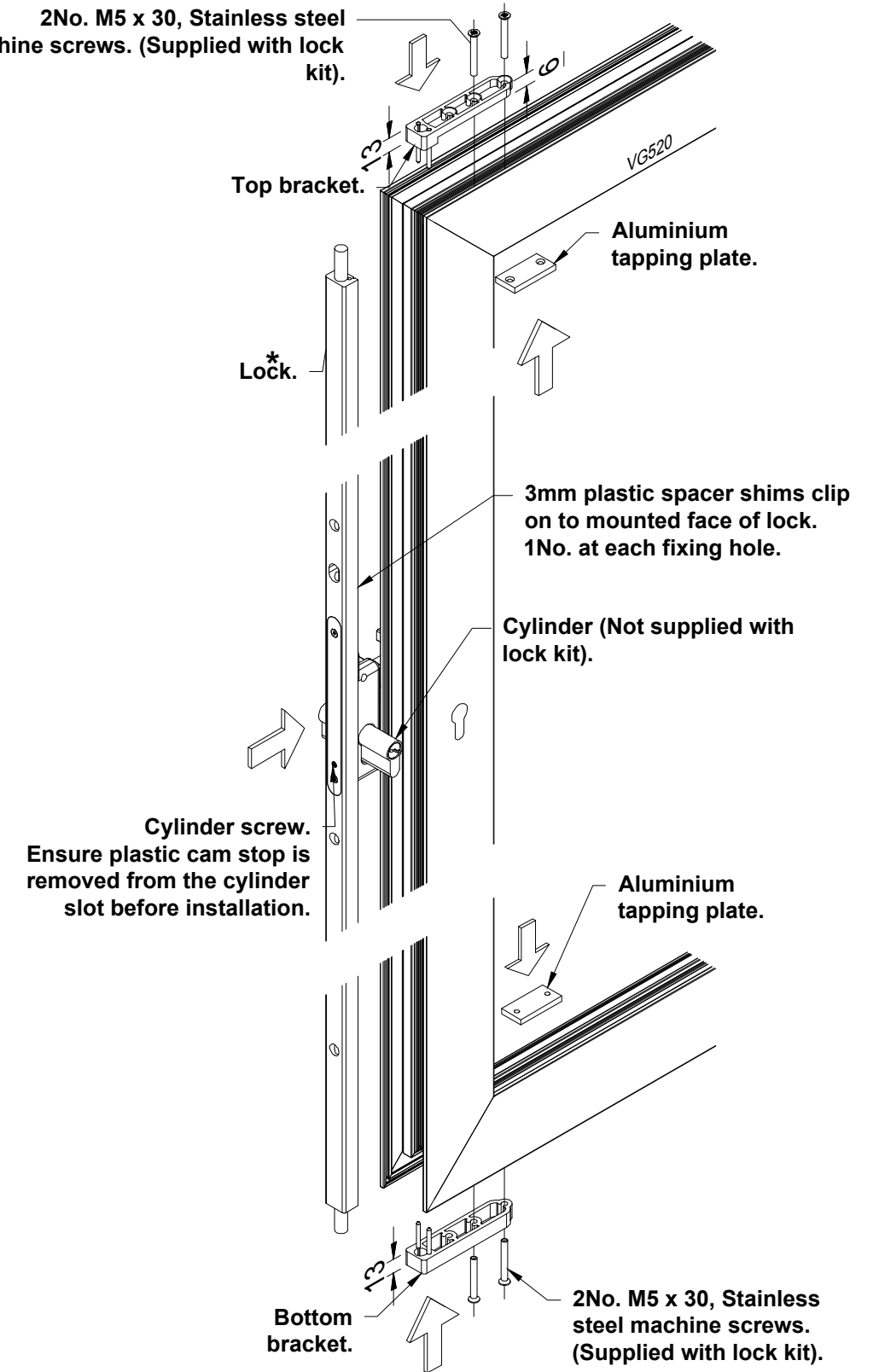
1. The lock is cut to size together with the rods without removing any parts.
2. The cylinder height can be reduced by cutting up to 741mm from the bottom of the lock.

ACSZ046 - Fixing Kit Contents

2 No. Tapping plates.	1 No. Lock body* (Includes cylinder screw)
1 Each Fixing brackets.	13.No No.8 x 1"CSK stainless steel screw.
4.No Machine screws for fixing brackets.	9.No 3mm Spacer.
1 Each Plastic keeps.	2.No Threaded end for shootbolt rods.
2.No Stainless steel adjustment plate.	2.No Plastic shoot bolt rods.



2No. M5 x 30, Stainless steel machine screws. (Supplied with lock kit).



Do Not Scale From This Drawing

Sash to Outer Frame Locking

VG510 (VG511N) (VG518) - VG520

SASH HEIGHT	LOCKS	KEEPS					
		INDIVIDUAL KEEPS		FULL HEIGHT KEEP	FULL HEIGHT KEEP + 600mm		
		MIDDLE	TOP / BOTTOM				
Pentapack	2024 - 2223	ACSZ024			ACSZ122	ACSZ124	PAS24:2012
	1824 - 2023	ACSZ025			ACSZ126	ACSZ128	
	2224 - 2423	ACSZ026			ACSZ130	ACSZ132	
	2024 - 2223	ACSZ007			ACSZ103	ACSZ105	
Shootbolt lock	1824 - 2023	ACSZ008	ACSZ100	ACSZ101	ACSZ107	ACSZ109	PAS24:2012
	2224 - 2500*	ACSZ009	ACSZ100	ACSZ101	ACSZ111	ACSZ113	
		ACSZ010					
	≤ 2366mm	ACSZ040					
	≤ 2766mm	ACSZ041		ACSZ046			
	≤ 3166mm	ACSZ042					
Lever Handles	ACSZ800	ACSZ801	ACMX209	ACIM442			ACSG070
'D' Handles	ACSZ898 (L/R)	ACSZ895 (L/R)	ACMX009	ACIM442			
	ACSZ899 (L/R)	ACSZ896 (L/R)	ACMX009	ACMX0040			
No External Handle	ACSZ400 + 2 x ACVS061	ACSZ803	ACMX009	ACIM442			ACVS061 & ACMX867
Pull Handle without External Cylinder	ACSZ823	ACSZ801	ACMX009	ACMX0040			ACSG070
		ACSZ803	ACMX009	ACMX0040			
		ACSZ830	ACMX009	ACMX0040			
Flush Pull Handle without External Cylinder	ACSZ841	ACSZ801	ACMX009	ACMX0040			ACET220
		ACSZ803	ACMX009	ACMX0040			
		ACSZ830	ACMX009	ACMX0040			

* ACVG752 shootbolts cannot be used on sash heights over 2423mm.

	EXT.	2 x ACVS061	INT.	2 x WCA134			2 x
External Lever Handle with Internal Lever Handle	ACSZ837	ACSZ400			ACMX209	ACIM442	ACSG070
		ACSZ400	ACSZ836		ACMX009	ACIM442	ACVS061
External Lever Handle with Internal 'T' Handle	ACSZ837	ACSZ400			ACMX209	ACIM442	ACSG070
		ACSZ400	ACSZ827*		ACSZ009	ACIM442	ACVS061

*To be used on Internal Sash only

EXT.	INT.				
ACSZ882	ACSZ883	ACMX209	ACIM442	ACET237	3 x

For full details to achieve PAS24:2012, please see page E63 & Test Report 8247857

Flush Pull Handle with Cylinder				
ACSZ750	ACSZ751	ACCY3030	ACET133	2 x

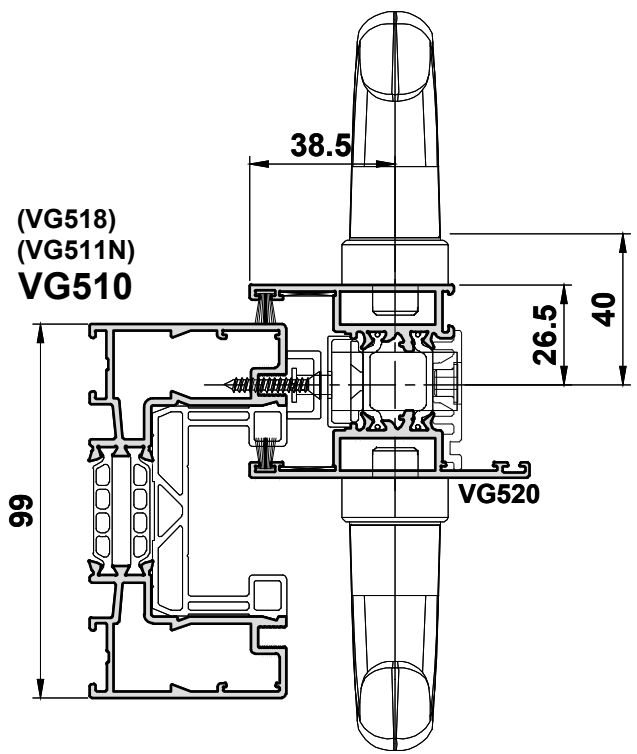
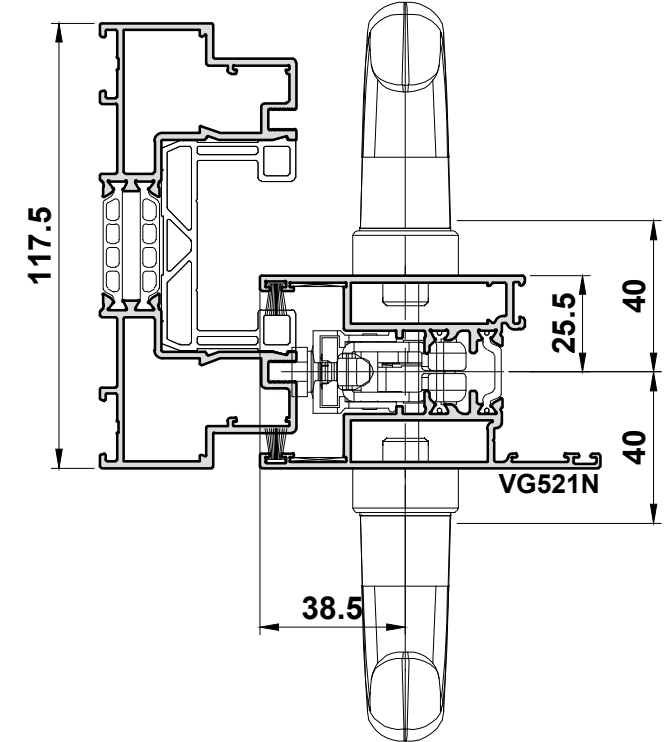
Shootbolt Lock Only.

- ☞ With Cylinder
- ✕ Without Cylinder
- ☞ T Handle With Cylinder

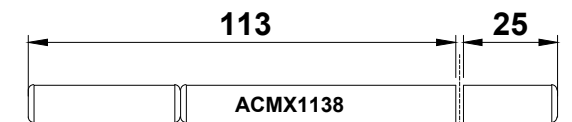
SOBINCO LIFT & SLIDE LOCKS						HAUTAU LIFT & SLIDE LOCKS		
EXT.	INT.					ACVG1277	ACVG1277	
ACSZ862	ACSZ861	ACMX1138* (SOBINCO LOCK)				ACVG1278	ACVG1278	
ACSZ871	ACSZ863	ACMX1130* (HAUTAU LOCK)	ACMX0040			ACVG1279	ACVG1279	
ACSZ871 & ACSZ400	ACSZ861	ACMX1070 (SOBINCO LOCK)	ACIM442					
	ACSZ863	ACMX1075 (HAUTAU LOCK)	ACMX0040	ACET235				

* Spindles need to be cut down. See details below.

(VG511N) (VG510) VG518

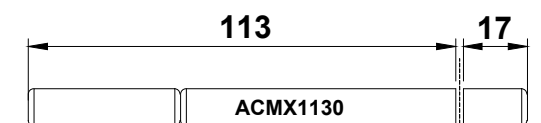


ACMX1138 - 138mm Spindle



Notch to outside
Cut down spindle by 25mm from side indicated above.

ACMX1130 - 130mm Spindle



Notch to outside
Cut down spindle by 17mm from side indicated above.

Do Not Scale From This Drawing

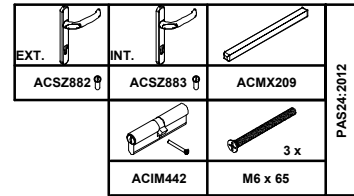
Sash to Sash Locking

VG520 + VG540 - VG520

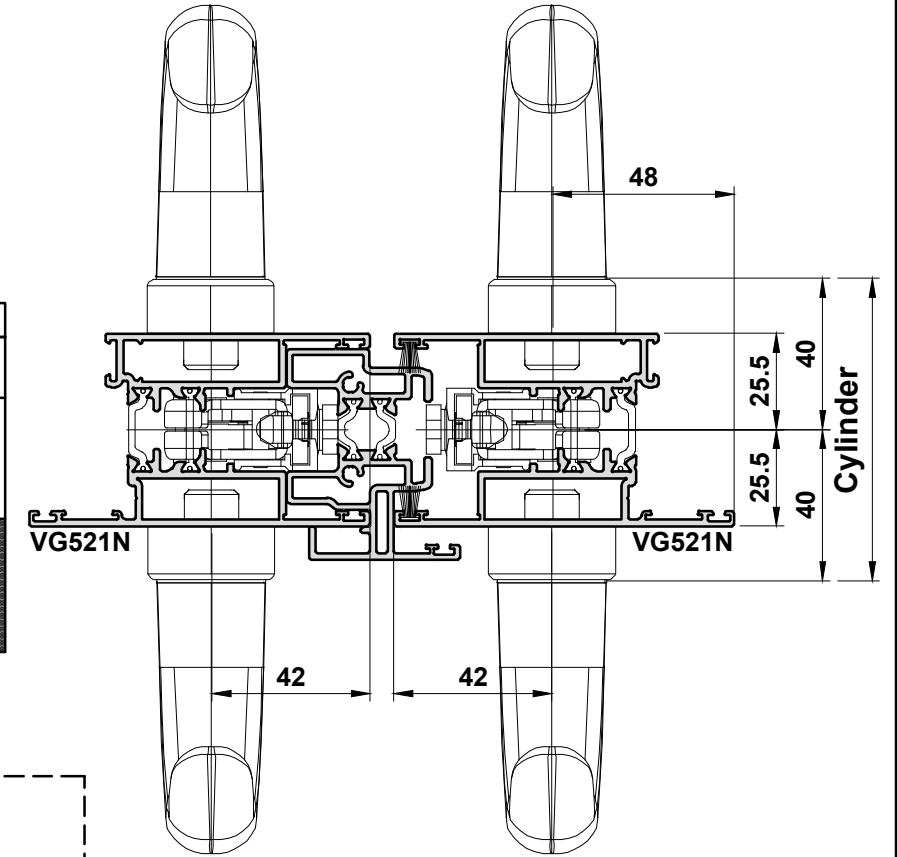
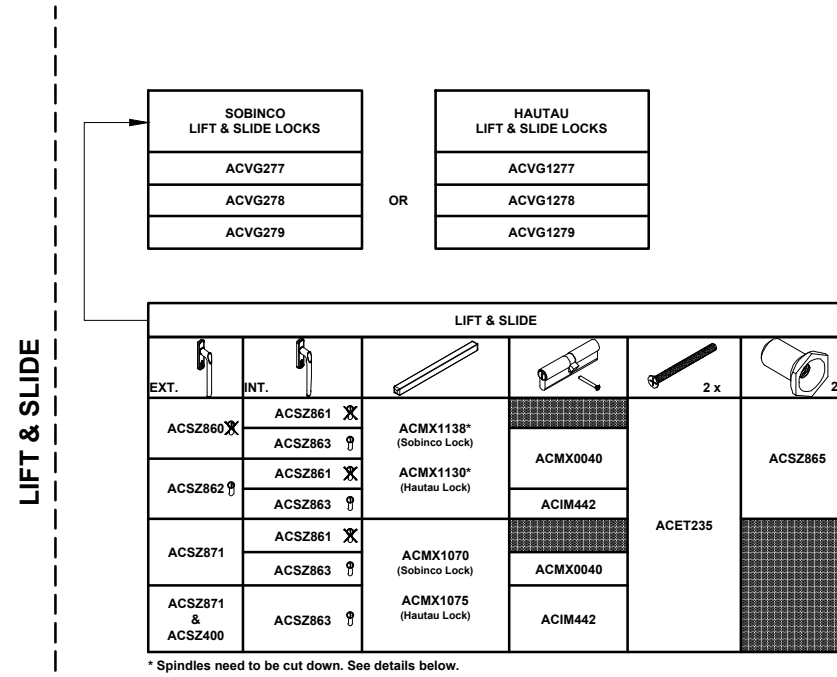
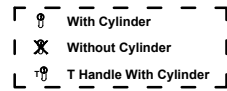
SASH HEIGHT	LOCKS	KEEPS			
		INDIVIDUAL KEEPS		FULL HEIGHT KEEP	FULL HEIGHT KEEP + 600mm
		MIDDLE	TOP / BOTTOM		
2024 - 2223	ACSZ024			ACSZ122	ACSZ124
1824 - 2023	ACSZ025			ACSZ126	ACSZ128
2224 - 2423	ACSZ026			ACSZ130	ACSZ132
2024 - 2223	ACSZ007	ACSZ100	ACSZ101	ACSZ103	ACSZ105
1824 - 2023	ACSZ008			ACSZ107	ACSZ109
2224 - 2500*	ACSZ009			ACSZ111	ACSZ113
	ACSZ010				
	EXT. INT.				
Lever Handles	ACSZ800 X ACSZ801 X ACSZ802 T ACSZ830 T	ACSZ803 X ACSZ803 T ACSZ830 T	ACMX209	ACIM442	ACSG070
'D' Handles	ACSZ898 (L/R) ACSZ899 (L/R) ACSZ899 X (L/R) ACSZ896 X (L/R)	ACSZ895 (L/R) ACSZ896 (L/R) ACSZ896 X (L/R) ACSZ899 X (L/R)	ACMX209	ACIM442 ACMX0040	ACSG070
No External Handle	ACSZ400 + 2 x ACVS061	ACSZ803 T ACSZ830 T ACSZ895 (L/R)	ACMX009	ACIM442	ACVS061 & ACMX867
Pull Handle without External Cylinder	ACSZ823	ACSZ801 X ACSZ803 T ACSZ830 T	ACMX009	ACMX0040	ACSG070
Flush Pull Handle without External Cylinder	ACSZ841	ACSZ801 X ACSZ803 T ACSZ830 T	ACMX009	ACMX0040	ACET220

* ACVG752 shootbolts cannot be used on sash heights over 2423mm.

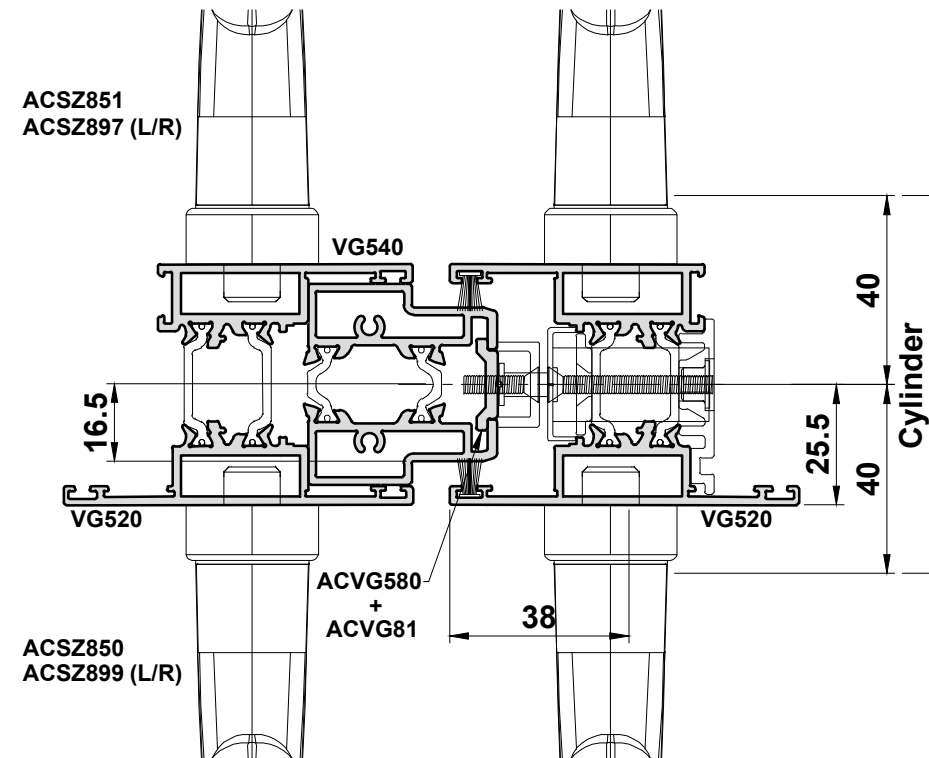
	2 x ACVS061		2 x WCA134		ACMX209	ACIM442	ACSG070
	EXT.	INT.	EXT.	INT.			
External Lever Handle with Internal Lever Handle	ACSZ837	ACSZ400			ACMX009	ACIM442	ACVS061
External Lever Handle with Internal T Handle	ACSZ837	ACSZ400			ACMX209	ACIM442	ACSG070
		ACSZ400			ACSZ009	ACIM442	ACVS061



For full details to achieve PAS24:2012, please see page E63 & Test Report 8247857

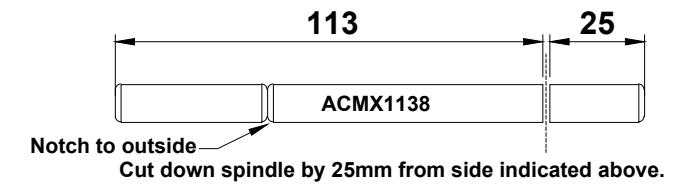


ACSZ851
ACSZ897 (L/R)

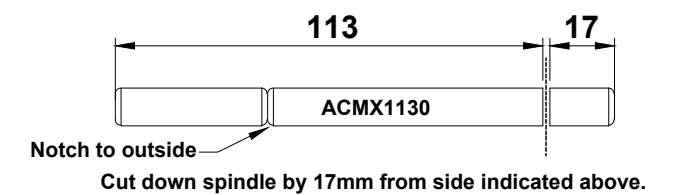


ACSZ850
ACSZ899 (L/R)

ACMX1138 - 138mm Spindle



ACMX1130 - 130mm Spindle



Do Not Scale From This Drawing

Sash to VG632 Locking

VG520 + VG632 - VG520

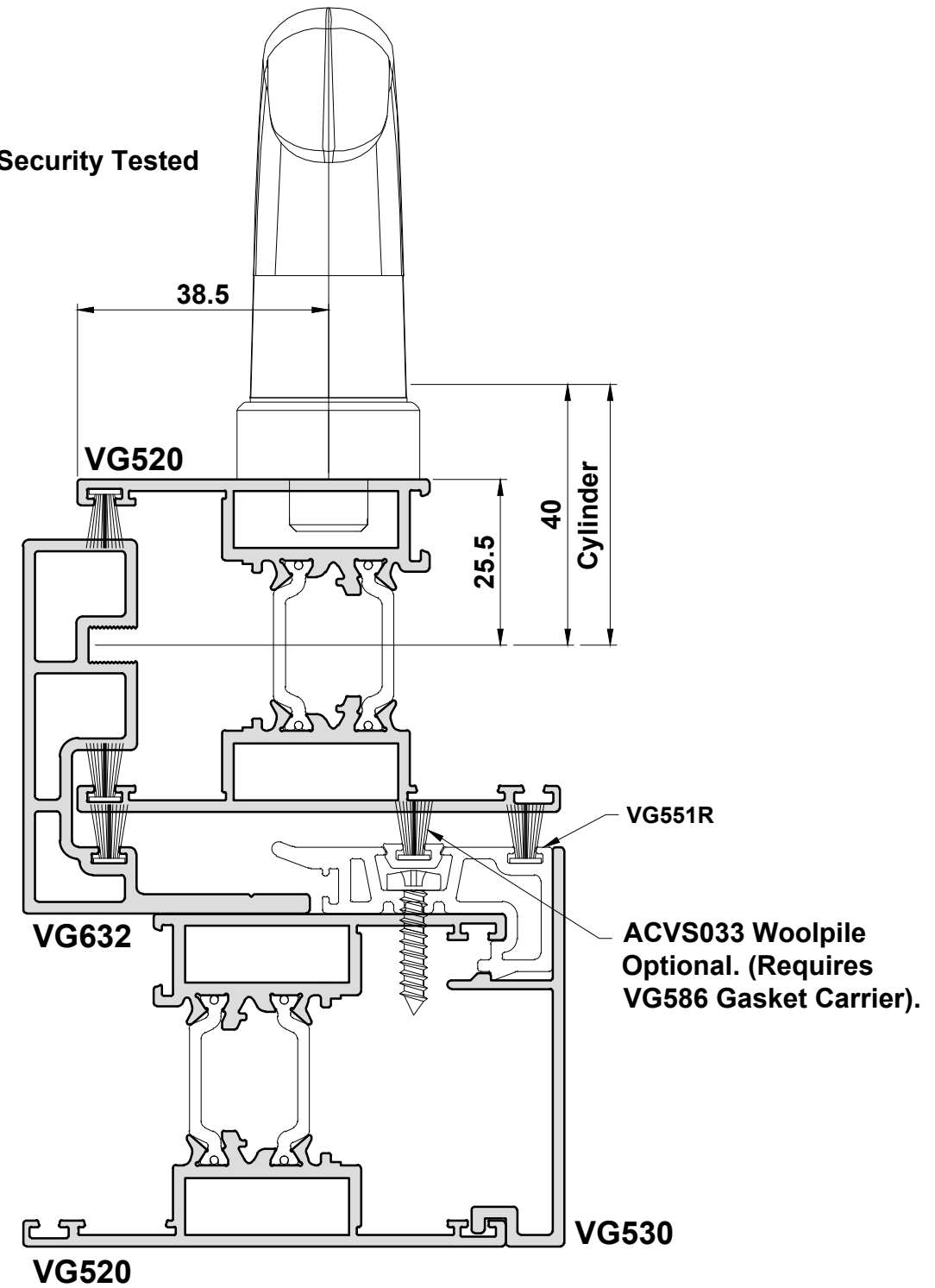
SASH HEIGHT	LOCKS	KEEPS			
		INDIVIDUAL KEEPS		FULL HEIGHT KEEP	FULL HEIGHT KEEP + 600mm
		MIDDLE	TOP / BOTTOM		
2024 - 2223	ACSZ007	ACSZ100	ACSZ101	ACSZ103	ACSZ105
1824 - 2023	ACSZ008			ACSZ107	ACSZ109
2224 - 2500*	ACSZ009			ACSZ111	ACSZ113
	ACSZ010				
	EXT. INT.				3 x
Lever Handles		ACSZ801	ACMX009	ACMX0040	ACVS061 & ACMX867
		ACSZ803			
		ACSZ830			
'D' Handles		ACSZ895 (L/R)			
		ACSZ896 (L/R)			

*ACVG752 shootbolts cannot be used on sash heights over 2423mm.

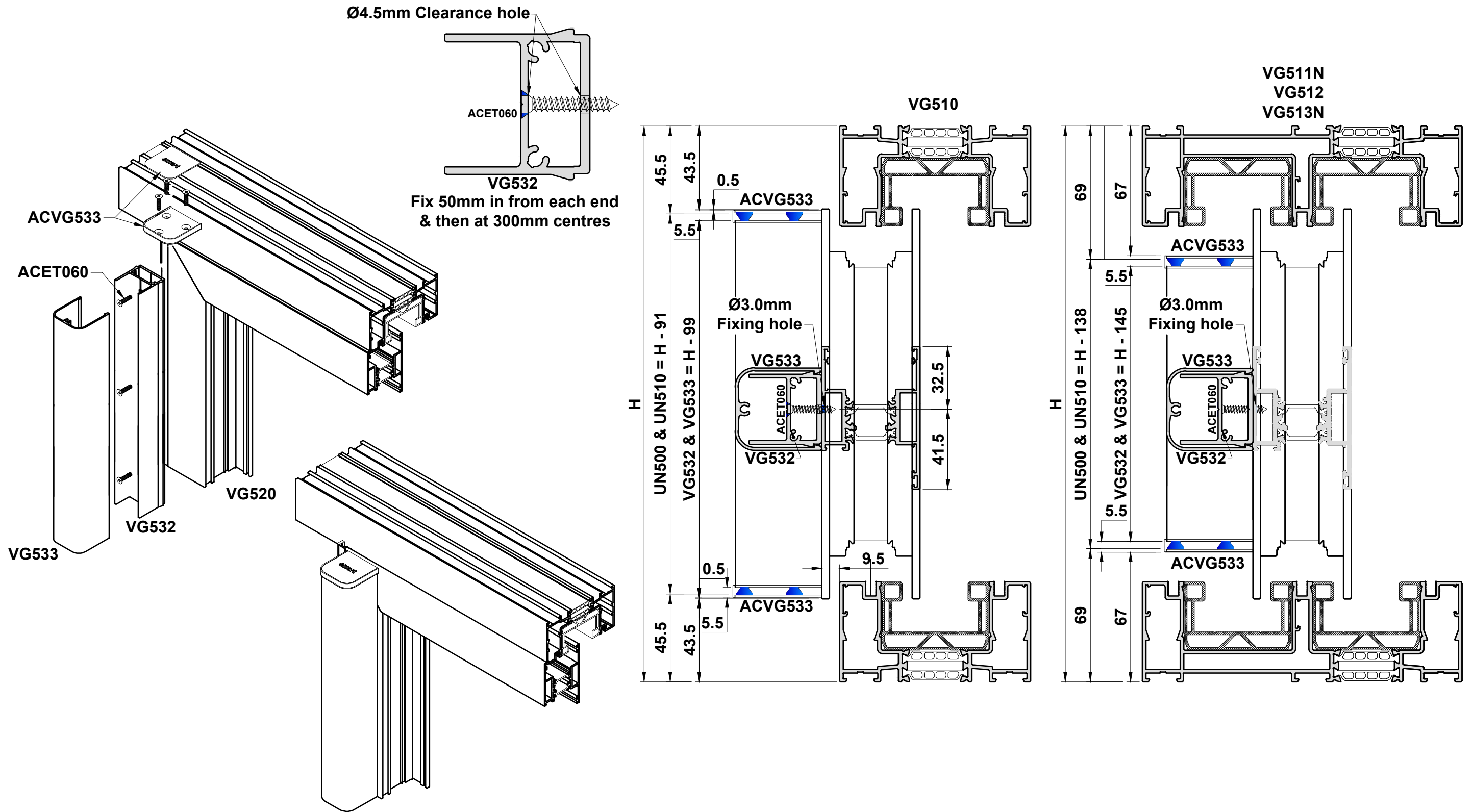
	2 x ACVS061	2 x WCA134				2 x
Internal Lever Handle	EXT. INT.	ACSZ836	ACSZ839	ACMX009	ACMX0040	ACSG070 & ACMX867
Internal 'T' Handle		ACSZ827				

- ☉ With Cylinder
- ✕ Without Cylinder
- ☉ T Handle With Cylinder

Not Security Tested



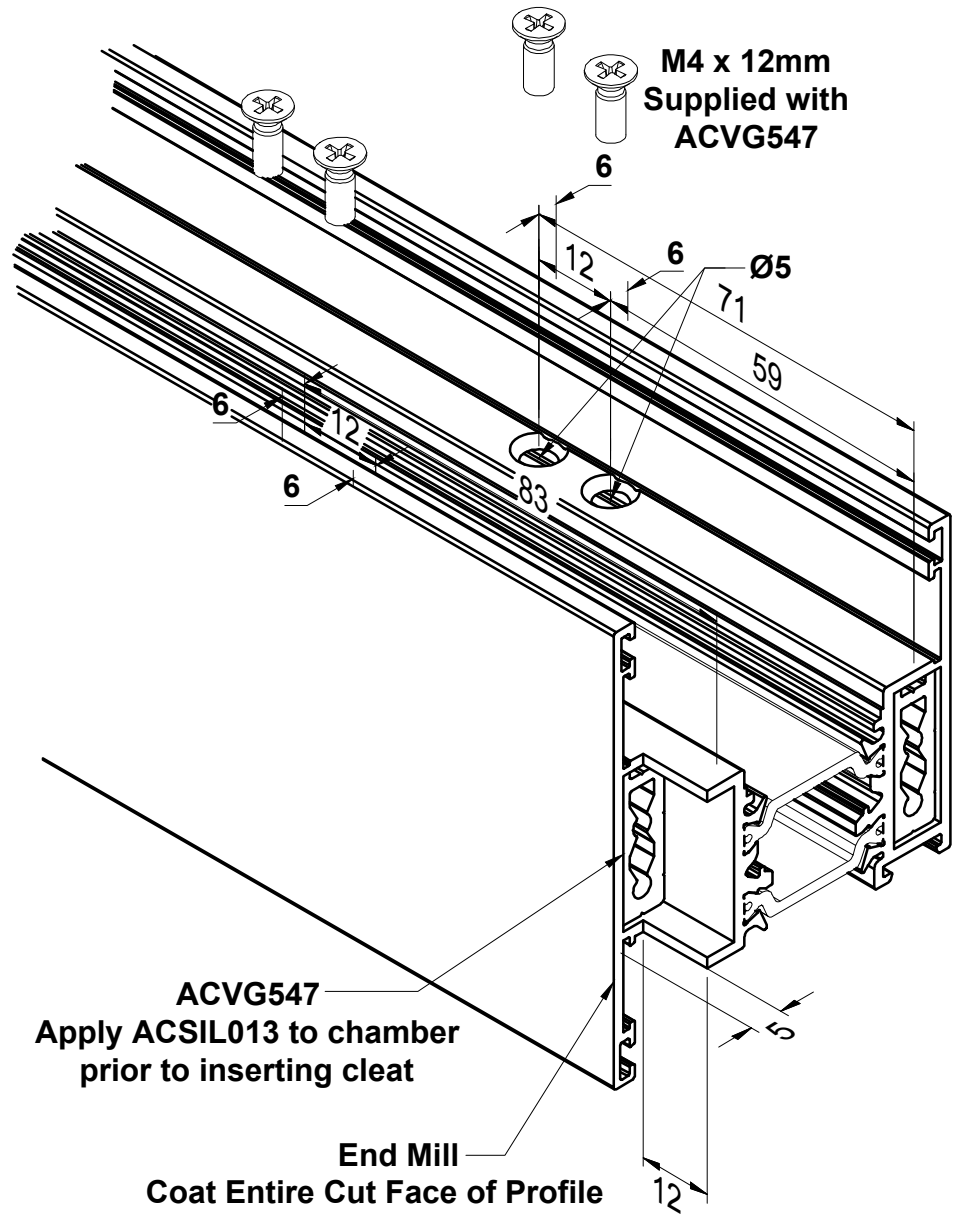
Interlock Reinforcement Details



Do Not Scale From This Drawing

Slim Interlock Details

VG520 Preparation

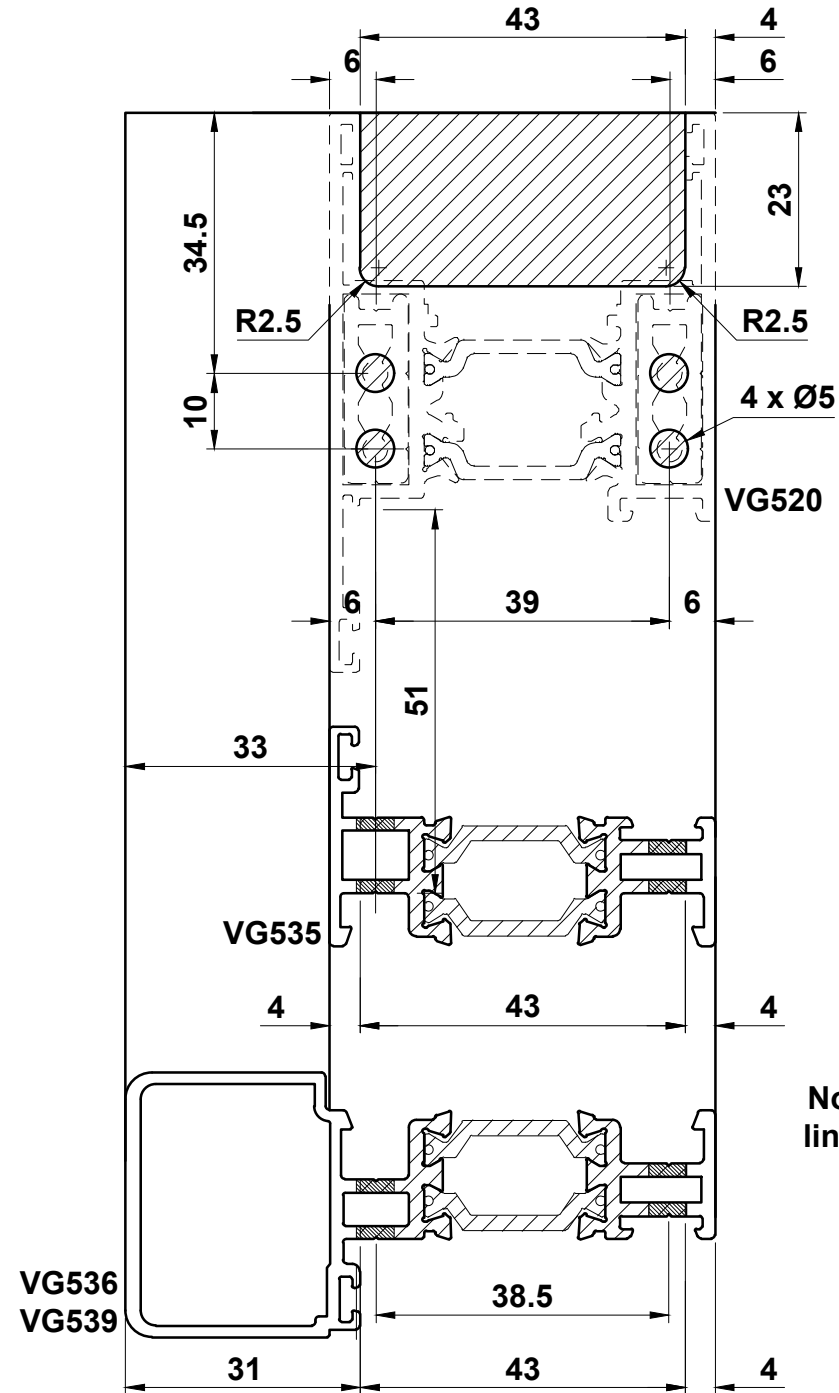


ACVG547
Apply ACSIL013 to chamber
prior to inserting cleat

End Mill
Coat Entire Cut Face of Profile
with ACSIL04 Prior to
Mechanically Joining

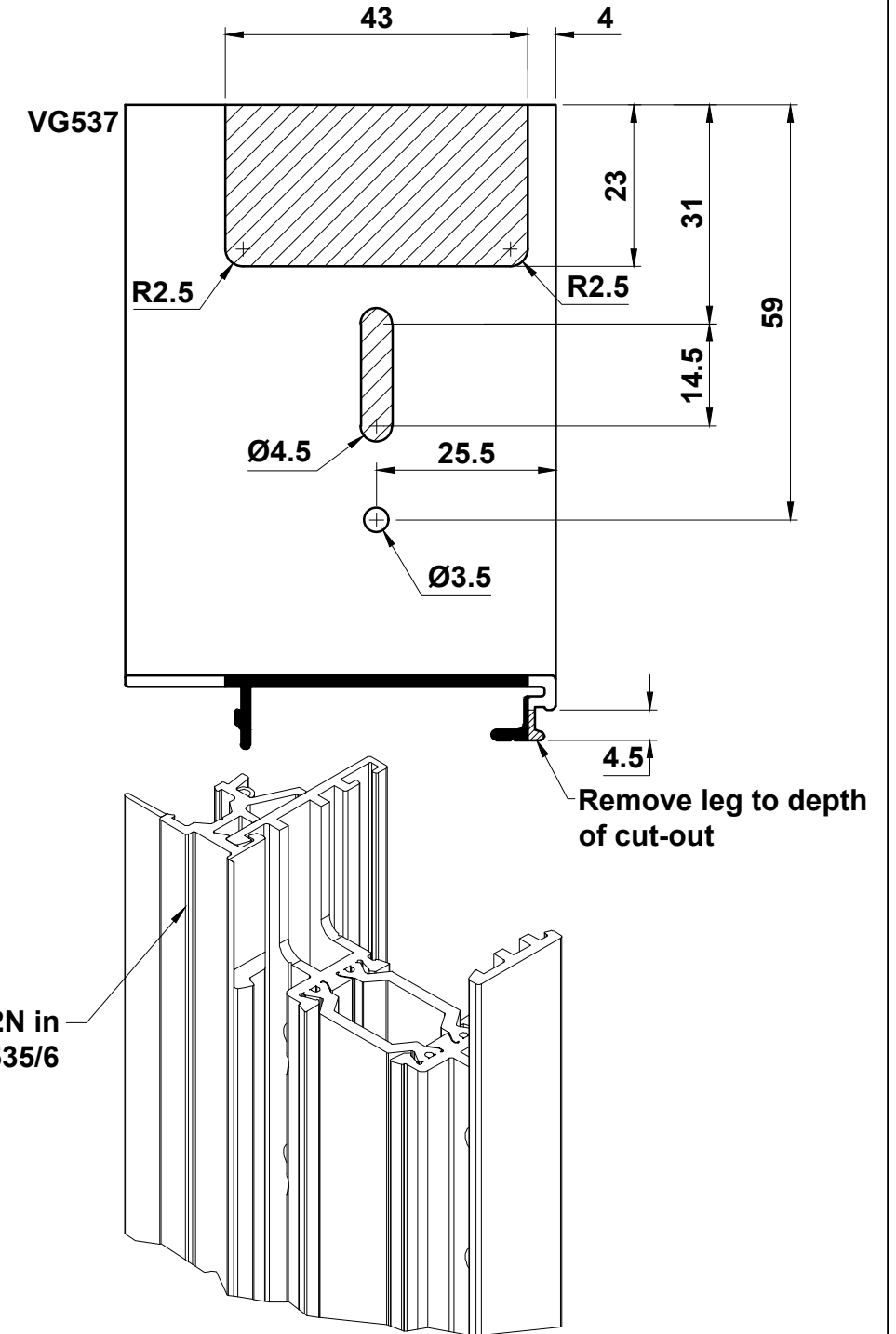
Important Fabrication Note:
Please ensure bottom joint is
fully sealed after assembly
using ACSIL04.

Slim Interlock Stile Preparation



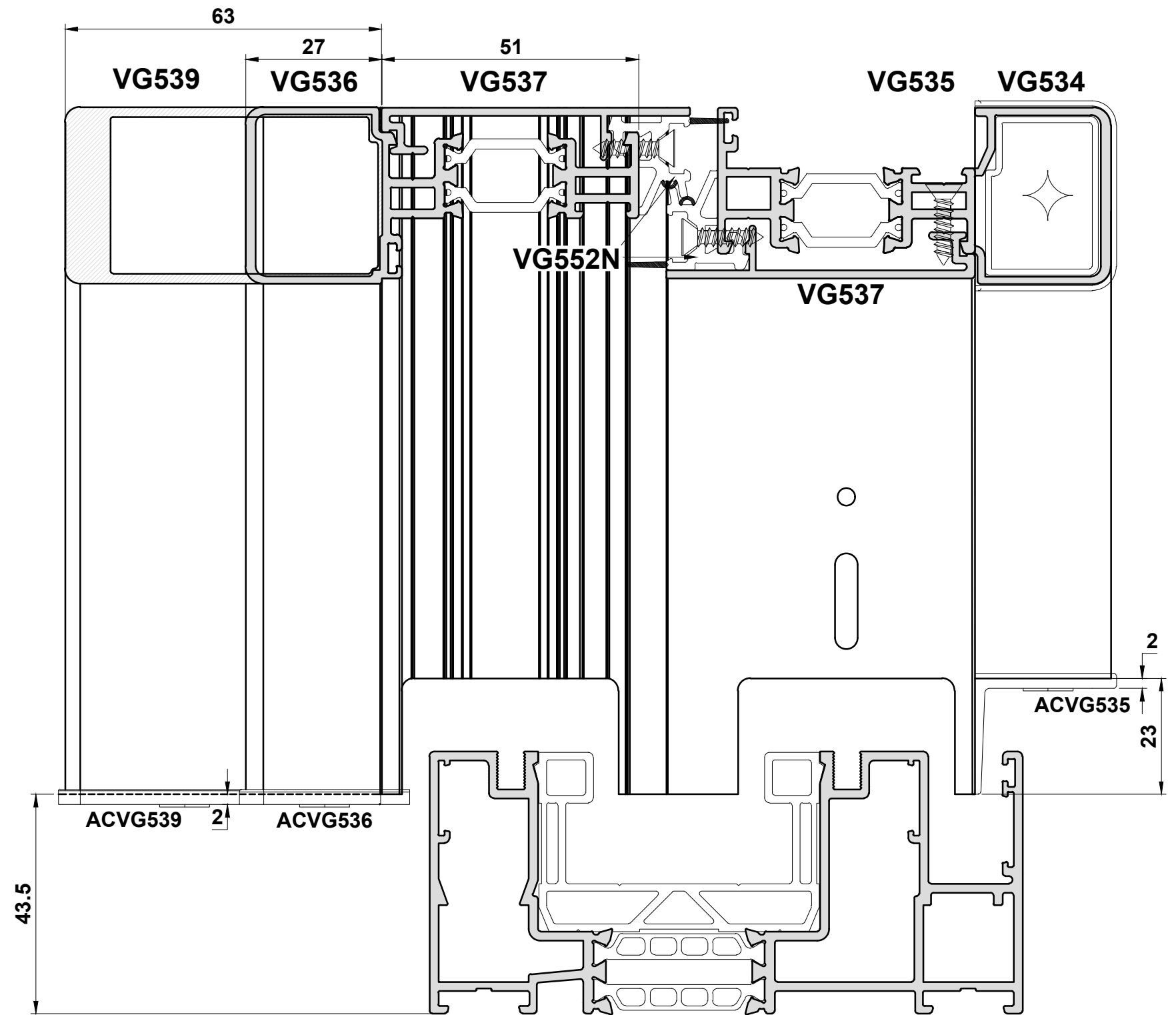
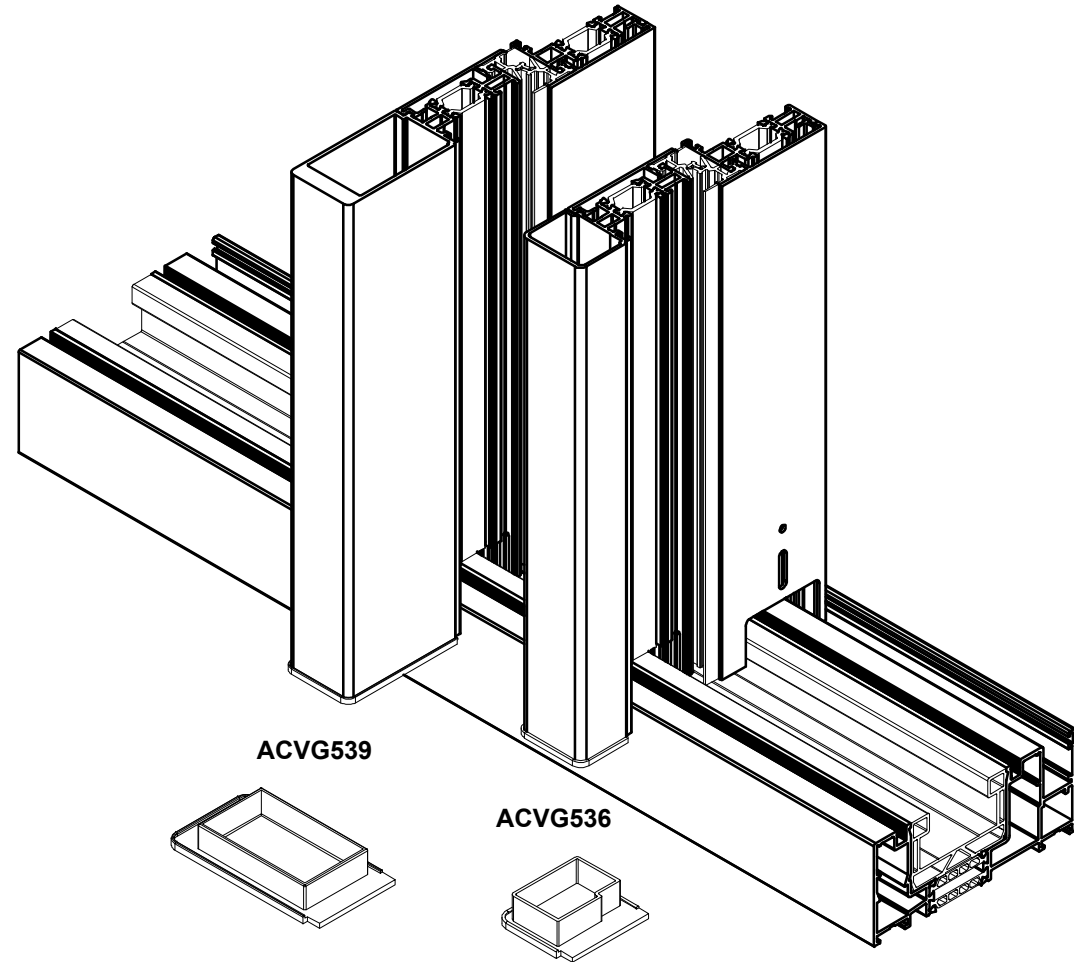
Notch VG552N in
line with VG535/6

Slim Interlock Cover Cap Preparation



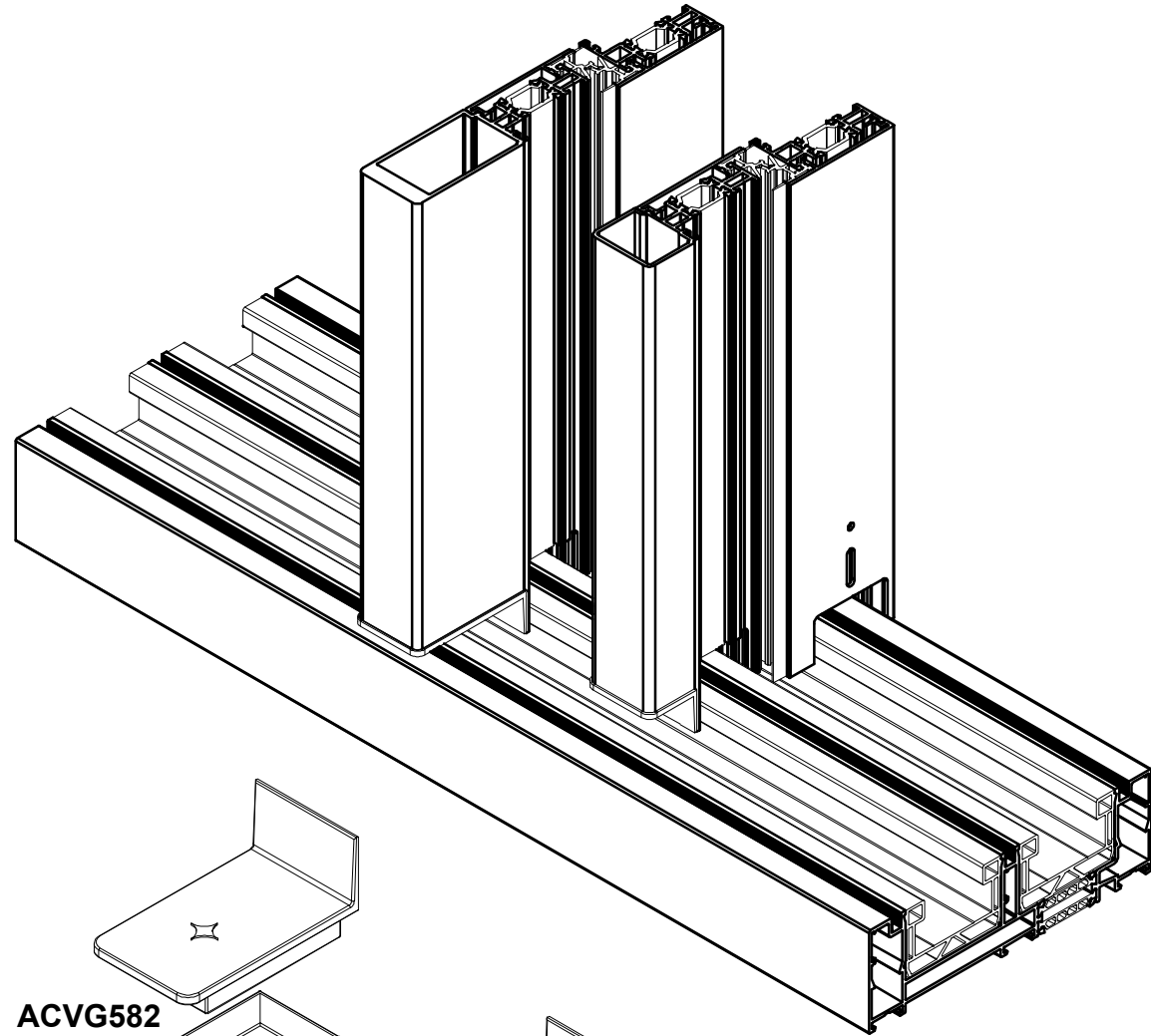
Do Not Scale From This Drawing

VG537 Preparation with VG536 or VG539



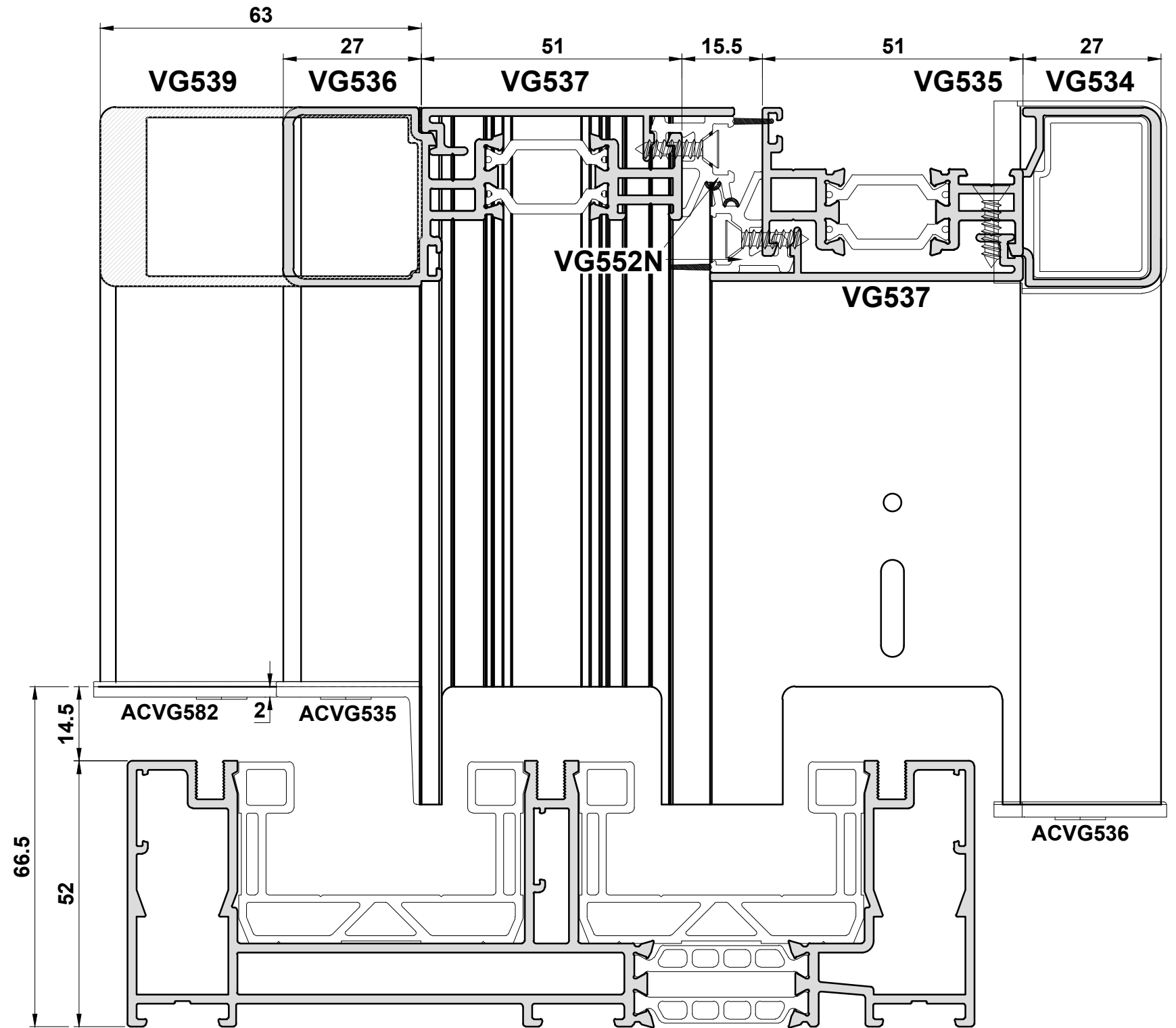
Do Not Scale From This Drawing

VG537 Preparation with VG536 or VG539 (Continued)



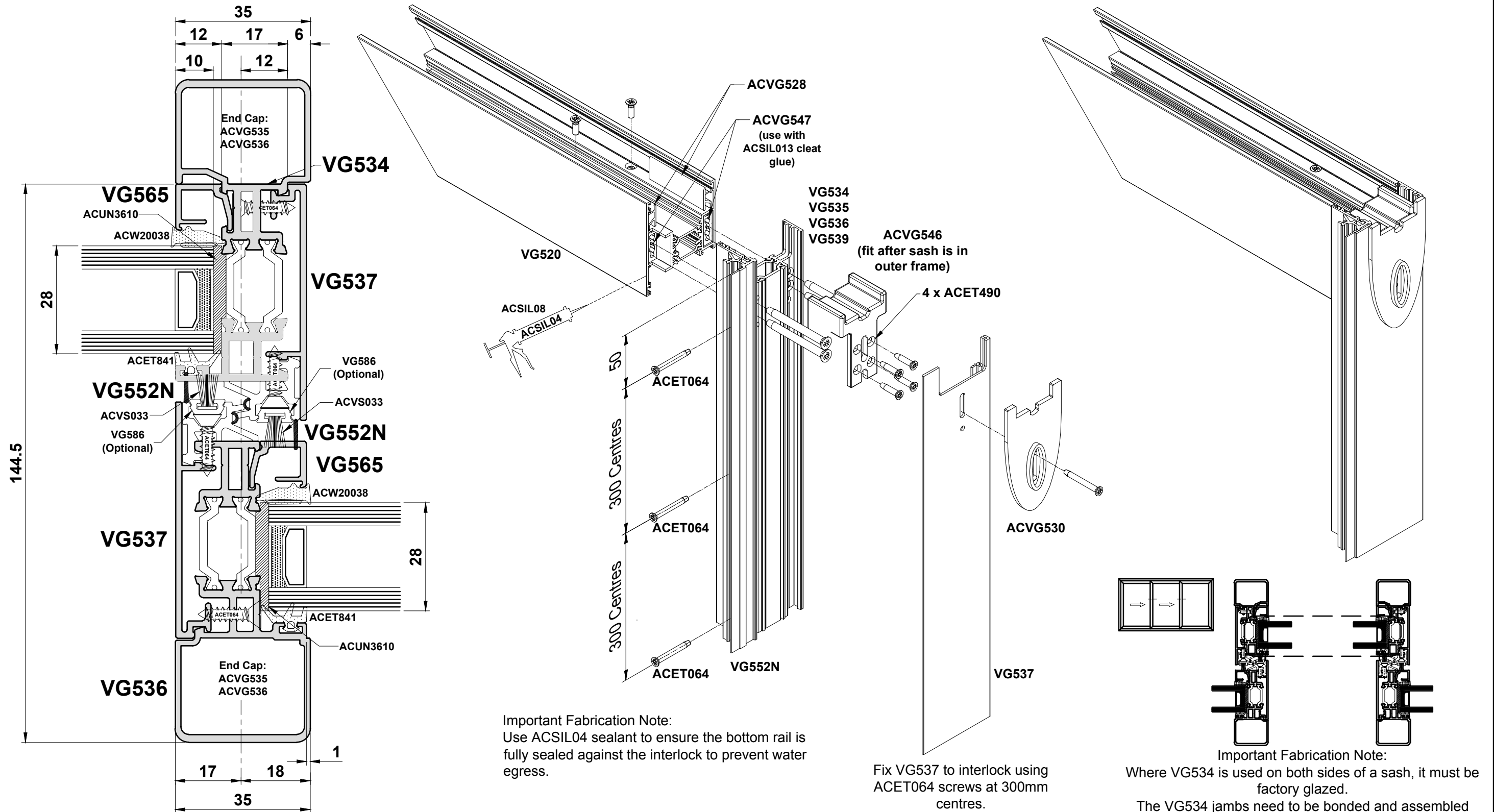
ACVG582

ACVG535



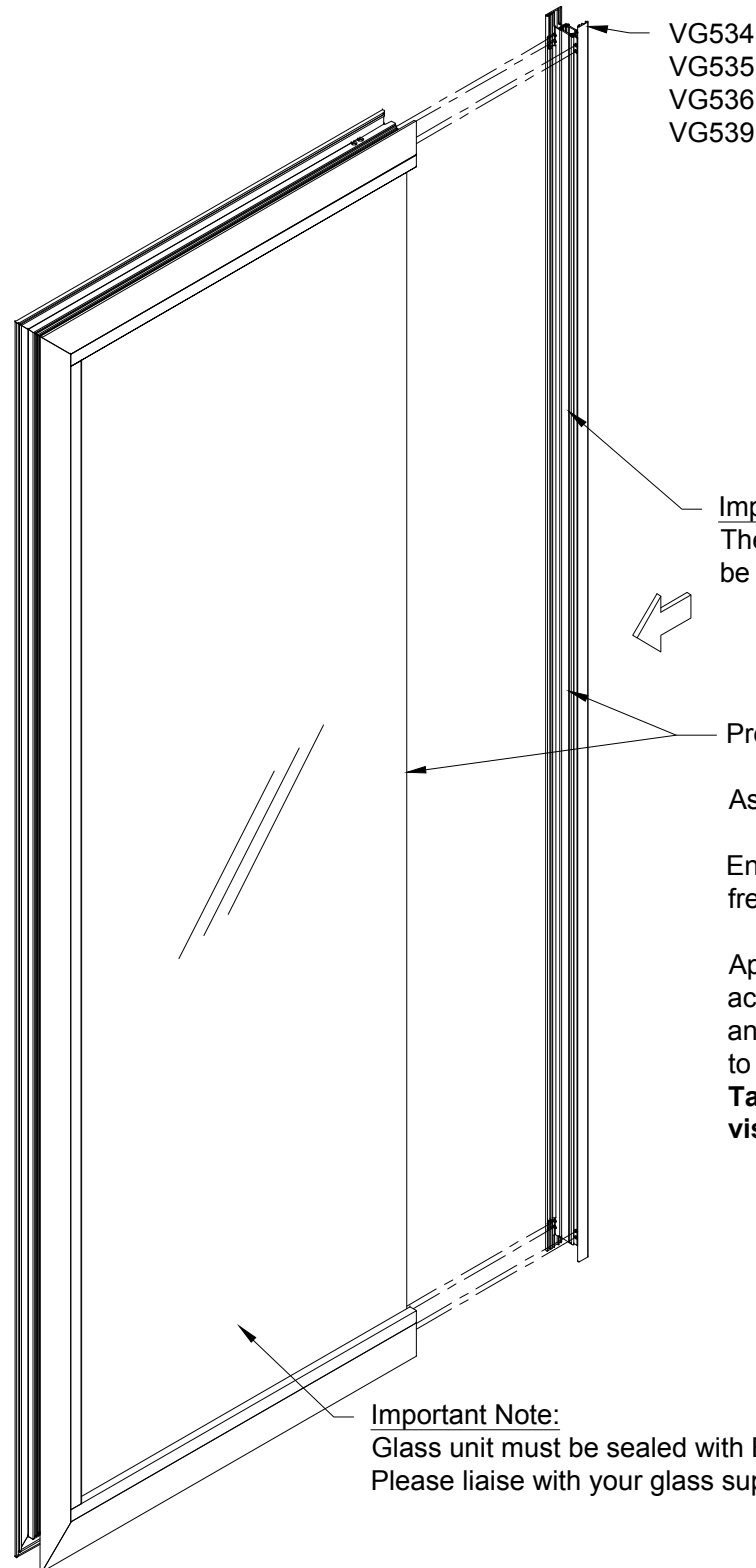
Do Not Scale From This Drawing

Slim Interlock Assembly



Do Not Scale From This Drawing

Slim line Interlock Bonding Method



Important Note:
The polyamide strip to the glazing side must be free from paint to ensure the a strong bond.

Preparation:
Assemble frame.
Ensure area of bonding is clean, dry and free from any dust or surface contamination.

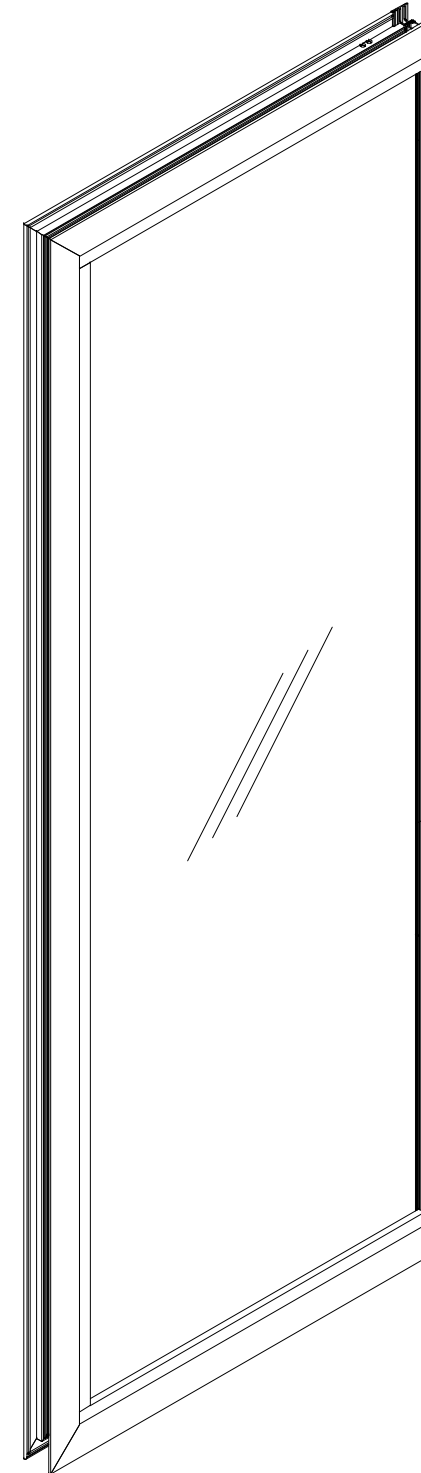
Apply a small coating of ACUN3612 surface activator to the interlock glazing channel and the bond area of the glass only. Allow to dry, leaving a slight residue.
Take care not to apply ACUN3612 to any visible surfaces.

Important Note:
Glass unit must be sealed with Butyl & without tape.
Please liaise with your glass supplier regarding the application.



ACUN3610 is a high quality single component adhesive that provides a strong bond between the Butyl sealed unit and frame.

We recommend glazing the sash in the workshop at least a day before installation so it can be allowed to set.



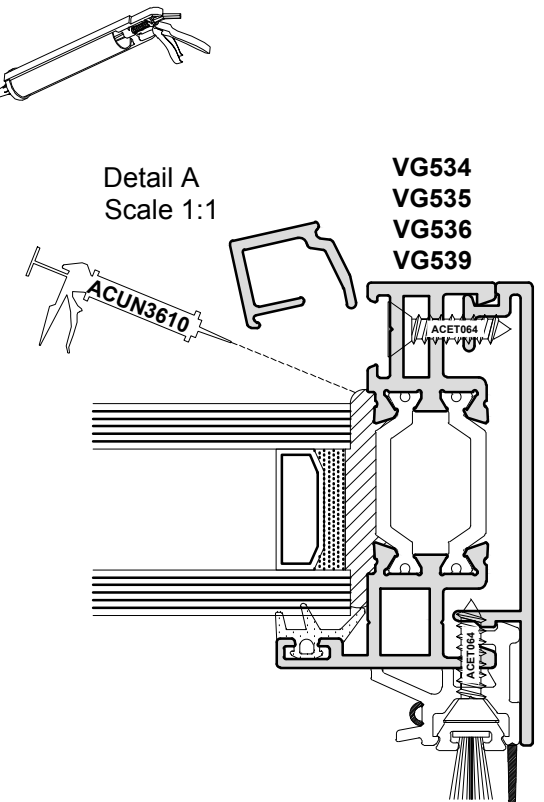
Bonding:

After preparation, apply ACUN3610 single component sealant into gap between frame and glass as detailed below (Detail A)

ACUN3610 must be applied to the full height of the unit.

Pack glass to ensure it is positioned correctly within the sash. A sash clamp should be used to ensure the interlock is held flat while ACUN3610 sets.

Leave to set overnight.



Do Not Scale From This Drawing

Slim line Interlock Tape Method

It is strongly recommended that where possible the bonding method on page E25 is used as this provides a stronger bond.

Where workshop glazing is not possible ACVG537 30 x 4mm adhesive glazing tape must be used.

ACVG537 needs to be applied to the full height of the glazing chamber of any of the slim interlocks (VG534*, VG535, VG536 or VG539). The adhesion between the glass and the frame prevents any visible deflection of the profile.

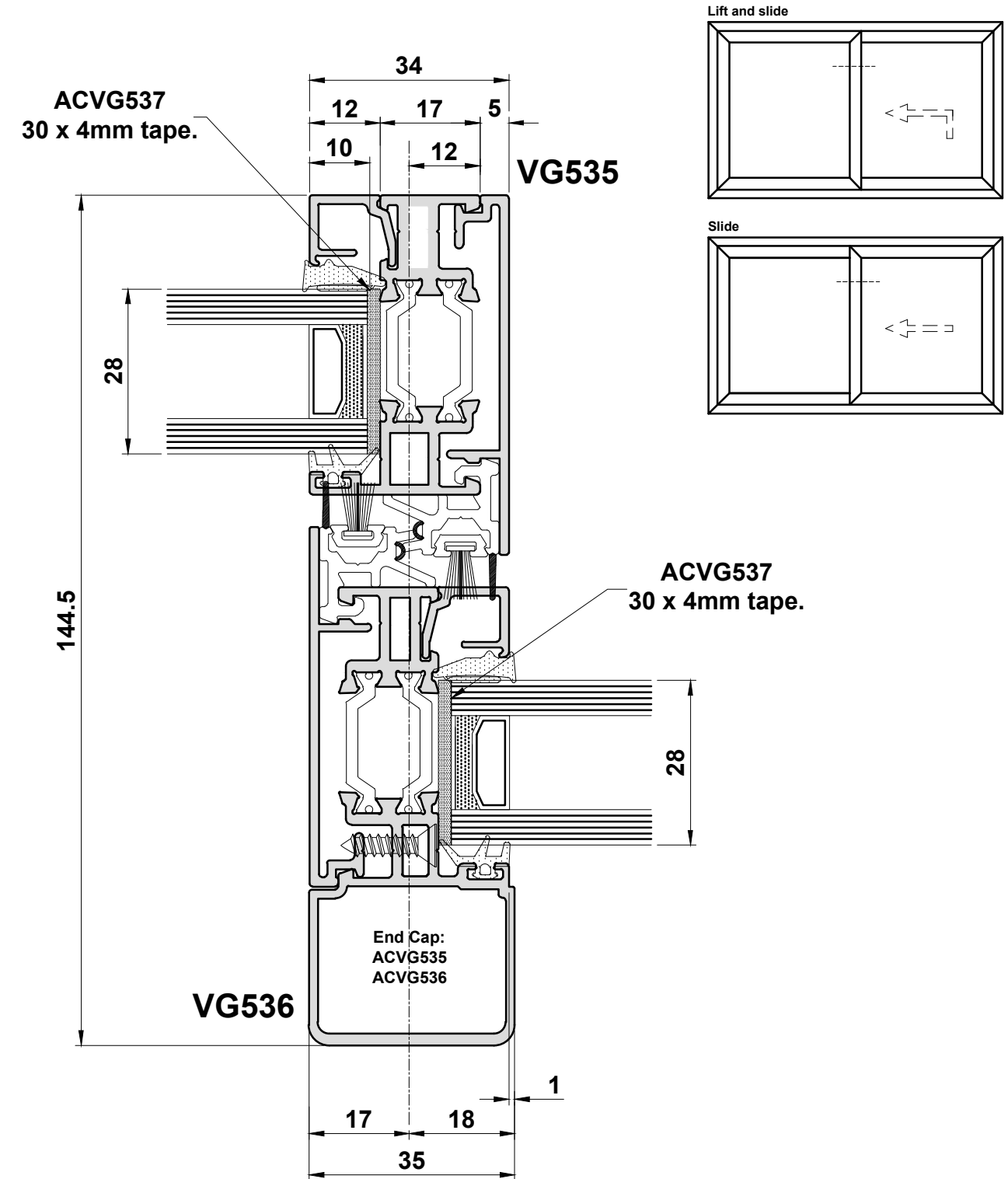
*Where VG534 is used on both sides of a sash, it must be factory glazed. The VG534 jambs need to be bonded and assembled around the unit.



It is advised that ACMX09765 Aluminum cleaner is used to clean the area of adhesion prior to tape application with a clean non abrasive cloth.

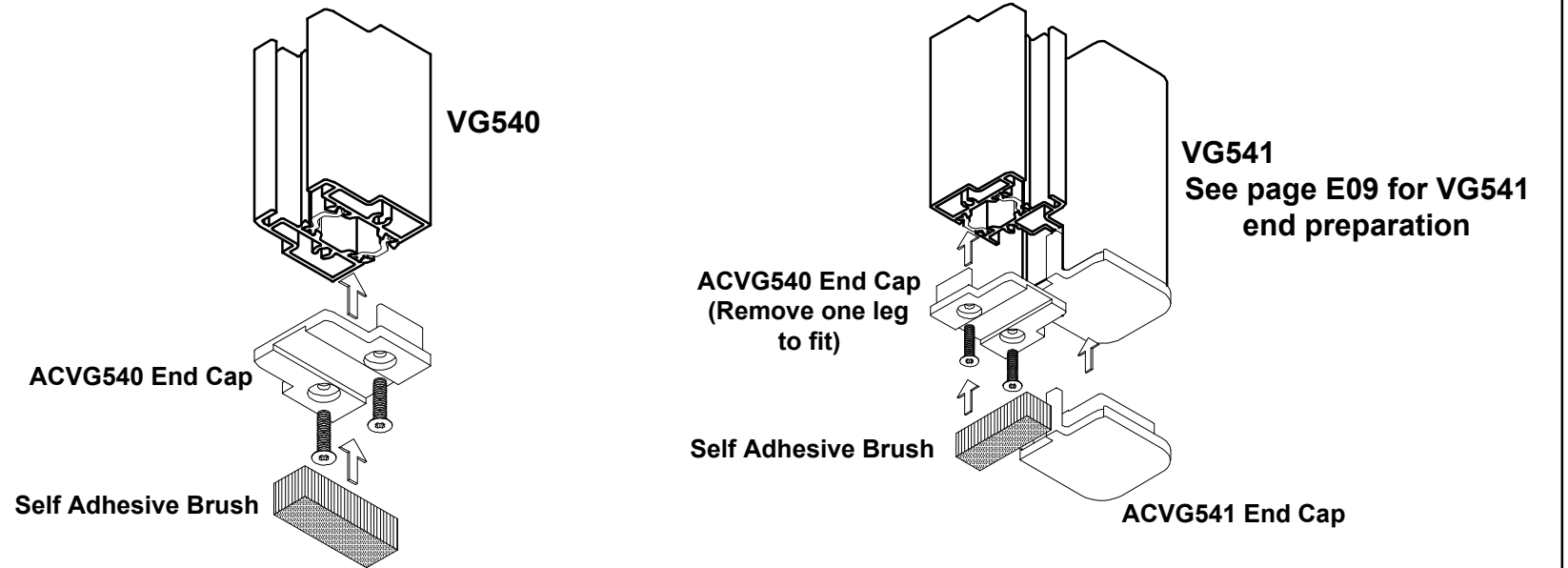
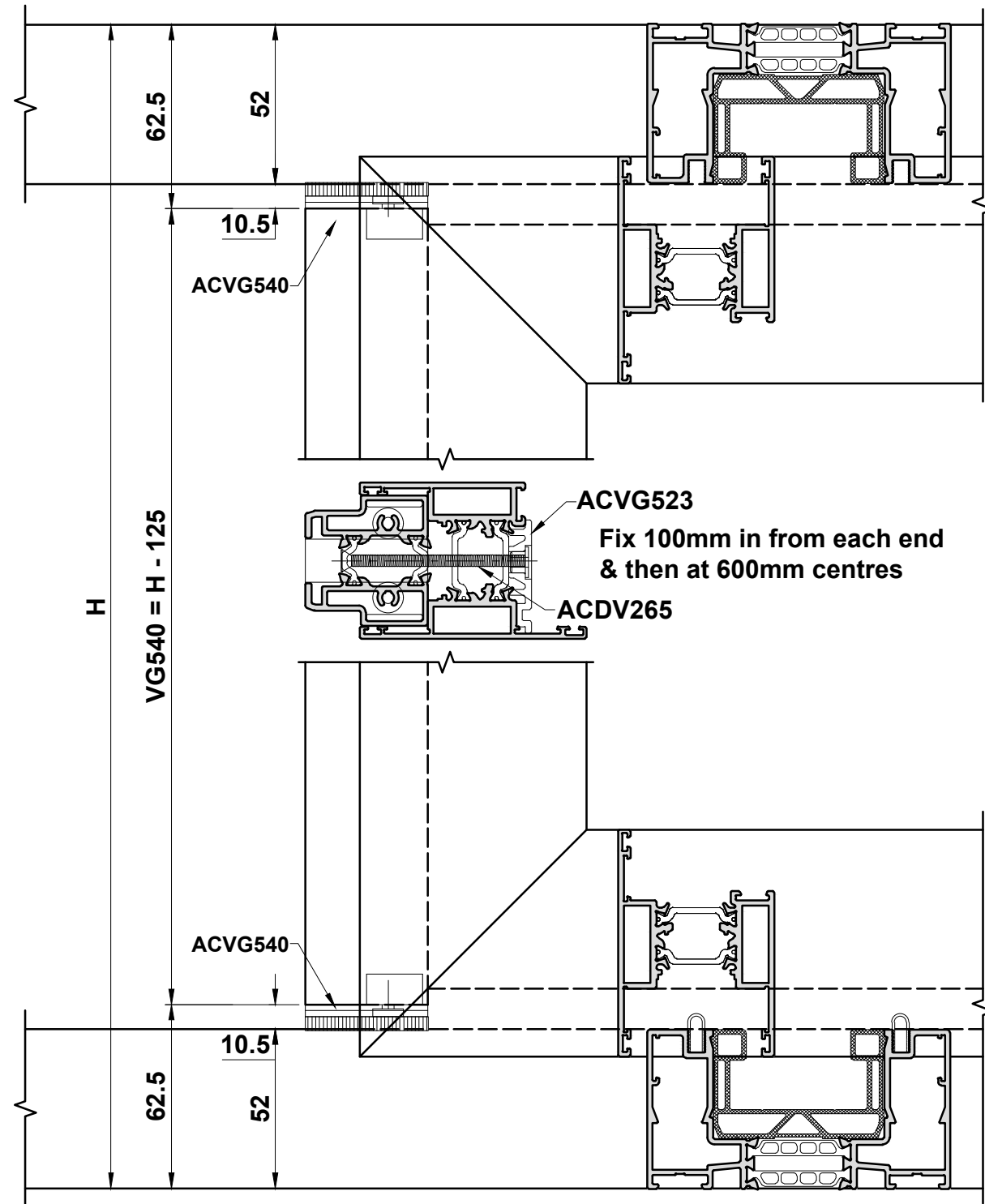
IMPORTANT NOTES

1. Under no circumstances should taped or foil edged glass units be used for this application.
2. The polyamide strip to the glazing side must be free from paint to ensure the a strong bond.

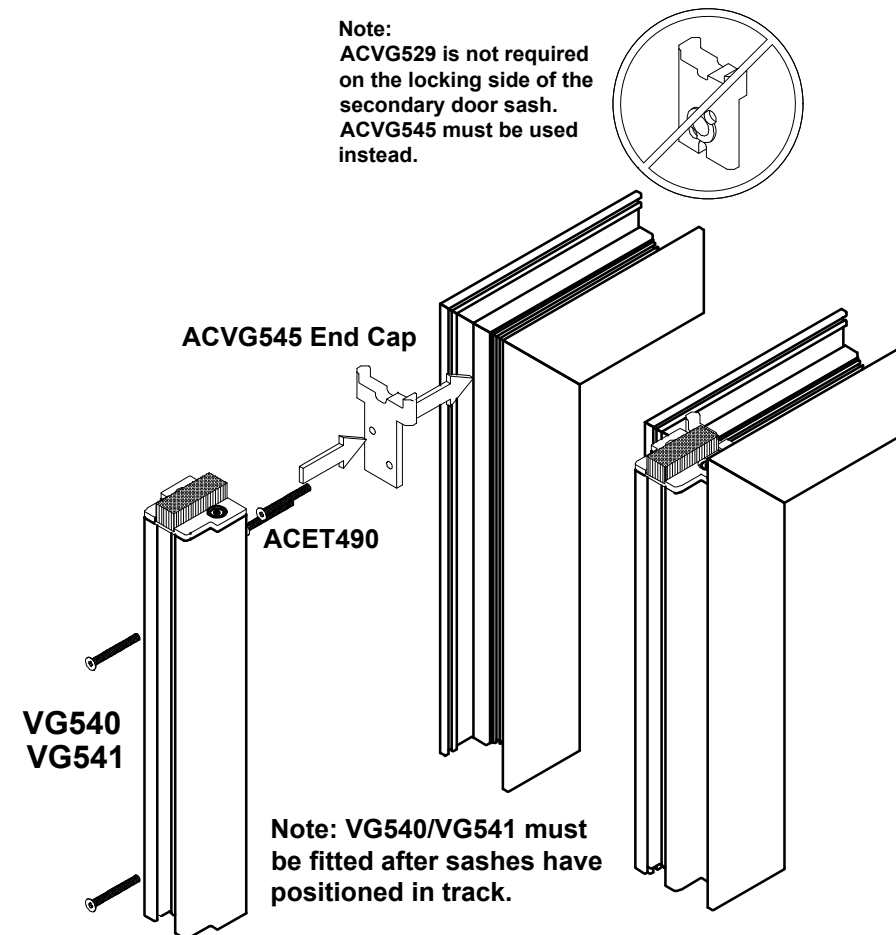


Do Not Scale From This Drawing

VG540 Cutting & VG540/VG541 Fitting



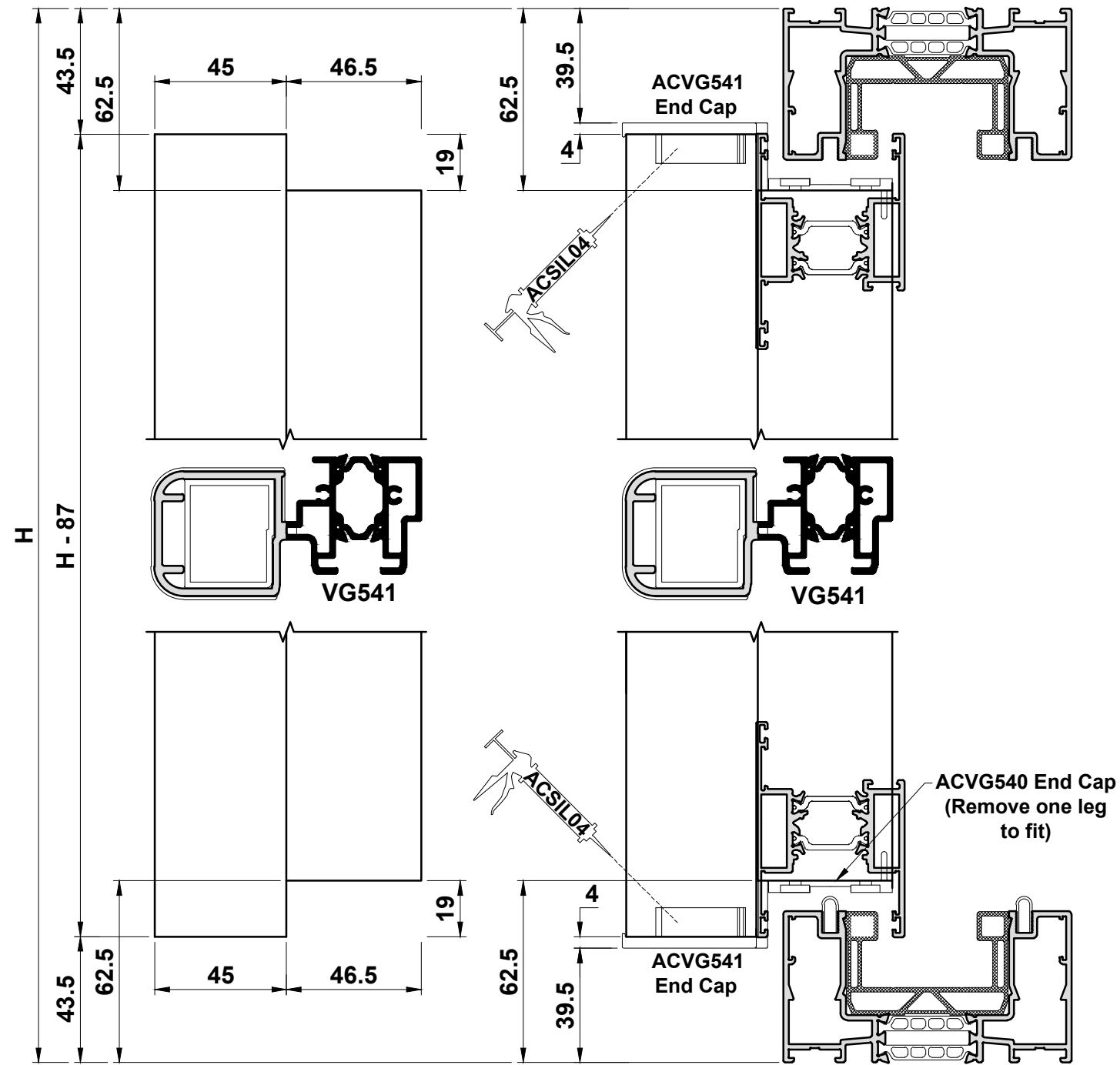
Note:
ACVG529 is not required
on the locking side of the
secondary door sash.
ACVG545 must be used
instead.



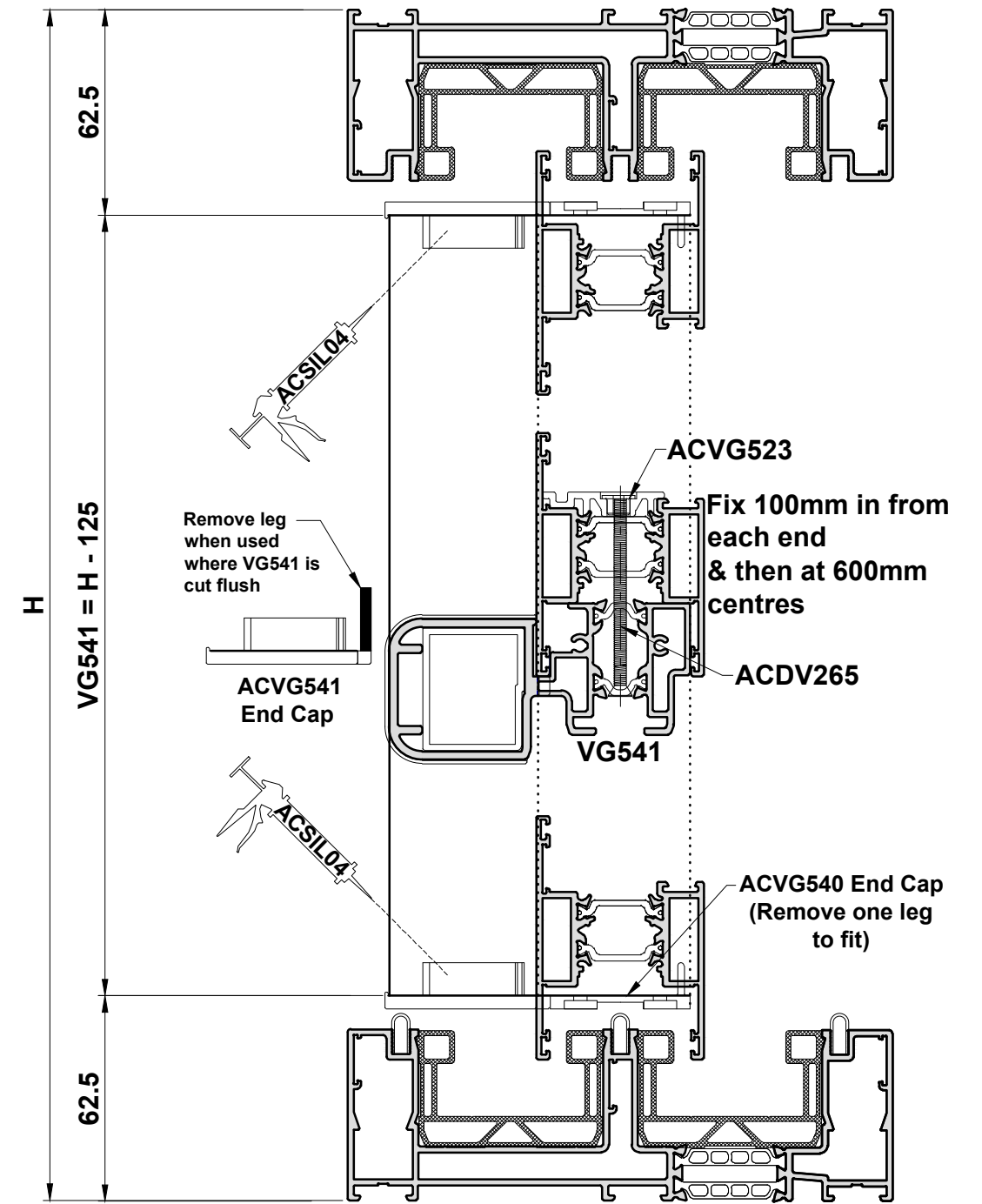
Important Note:
VG540 & VG541 are
not suitable for lift &
slide doors.
Please use VG542
instead.

Do Not Scale From This Drawing

VG541 Cutting & End Prep



Detail where VG541 is on outer track



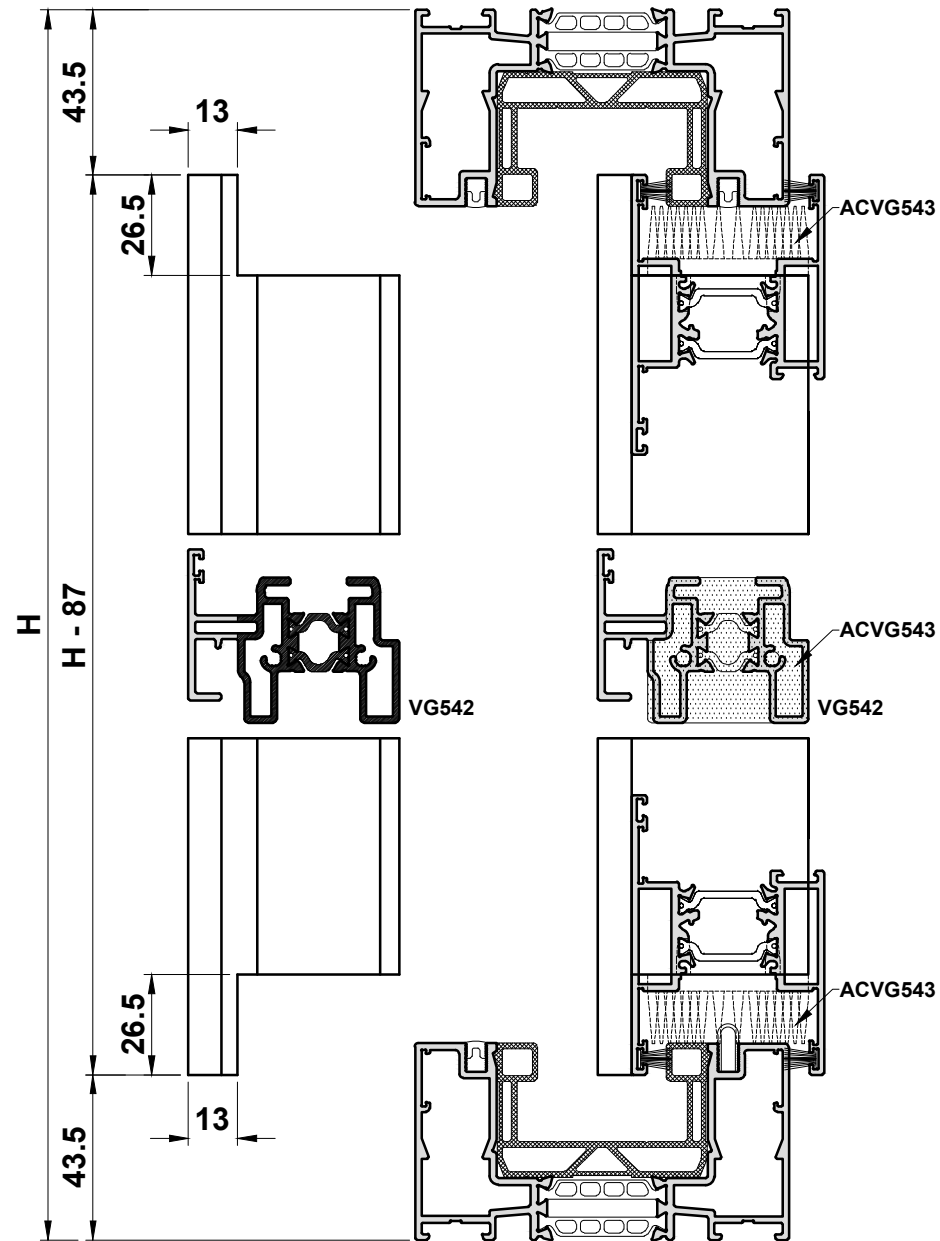
Do Not Scale From This Drawing

VG542 Fitting Details

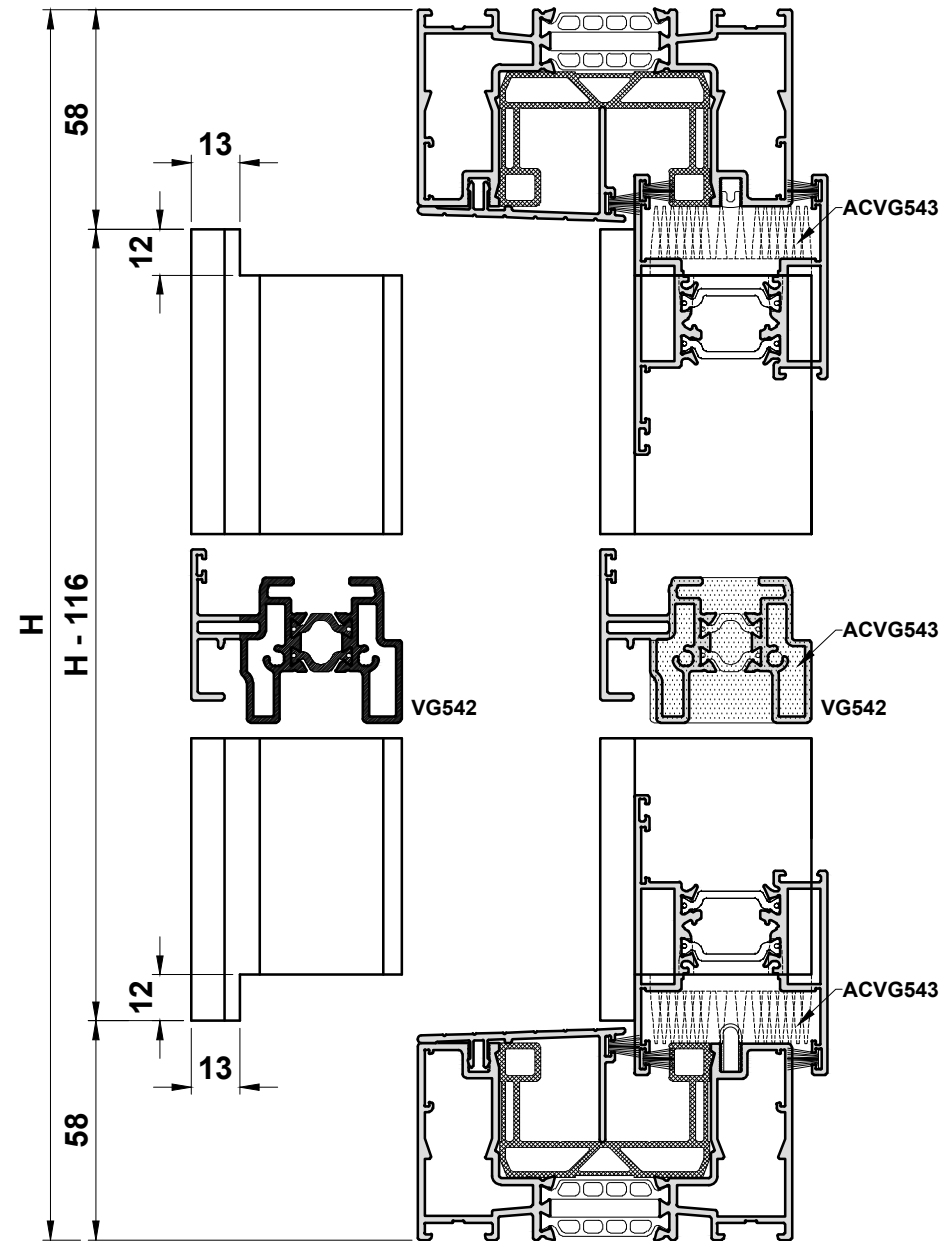
ACVG543 End Caps



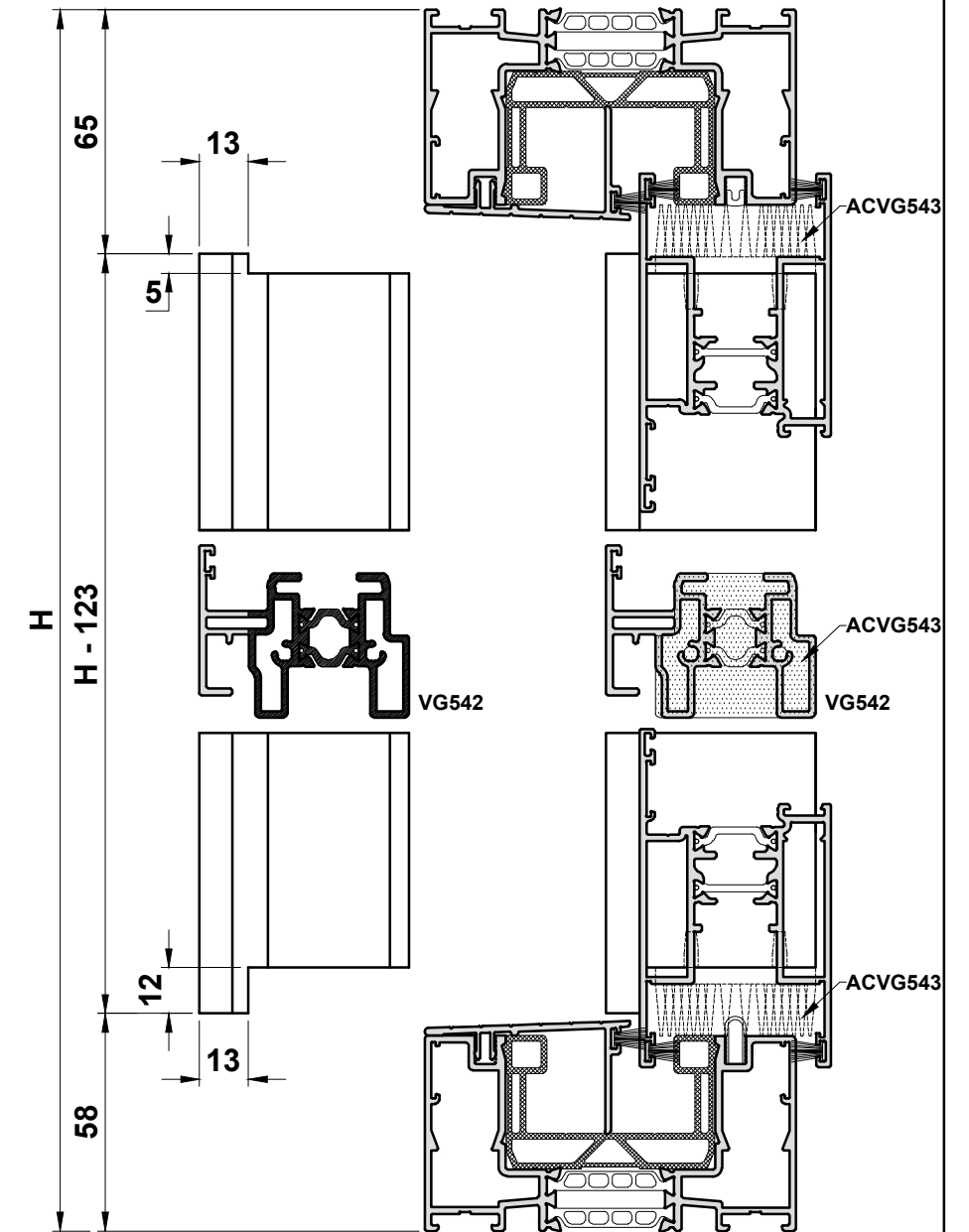
Slide without VG514



Slide with VG514



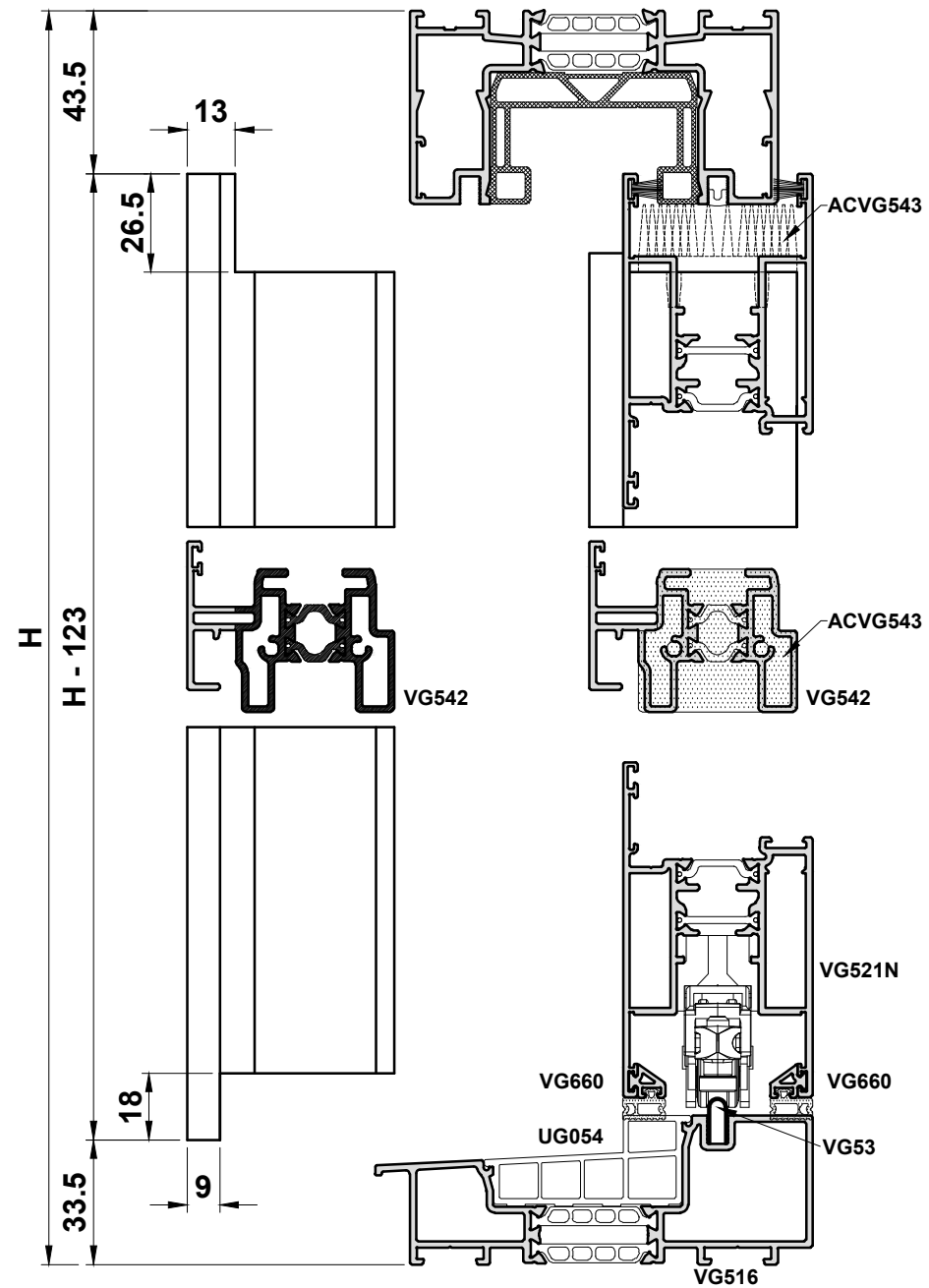
Lift & Slide with VG514



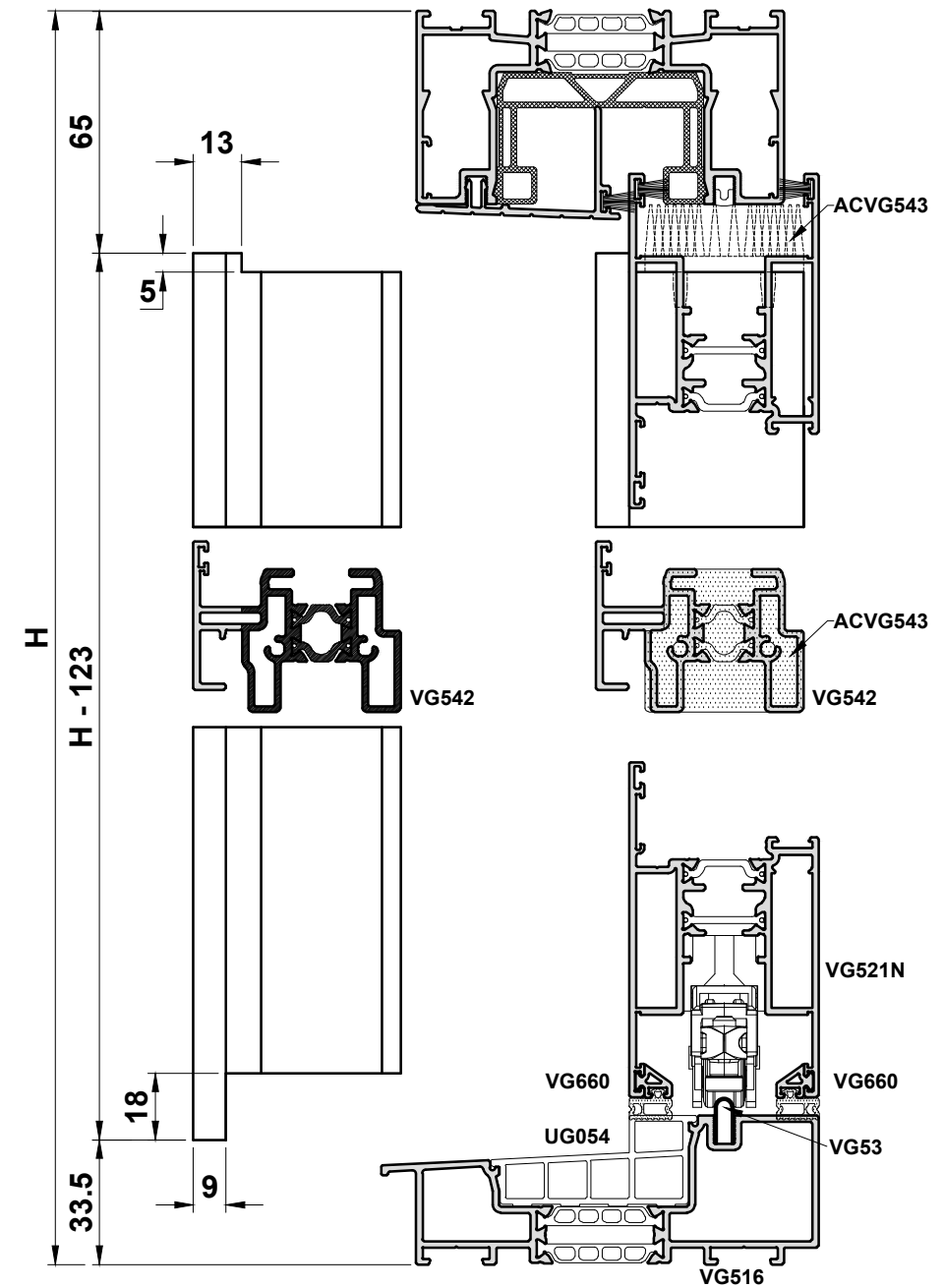
Do Not Scale From This Drawing

VG542 Fitting Details with VG516 Threshold

Lift & Slide without VG514

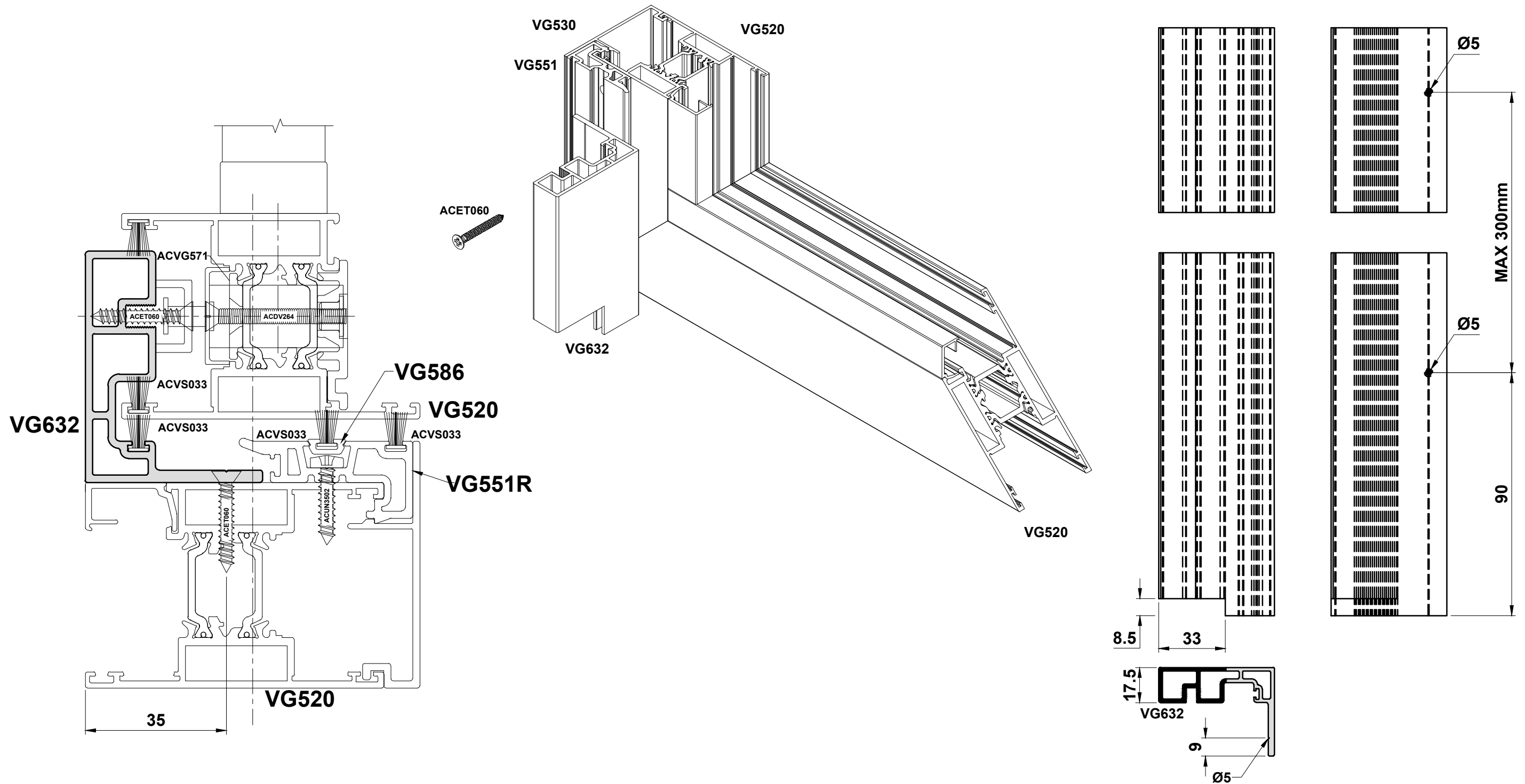


Lift & Slide with VG514



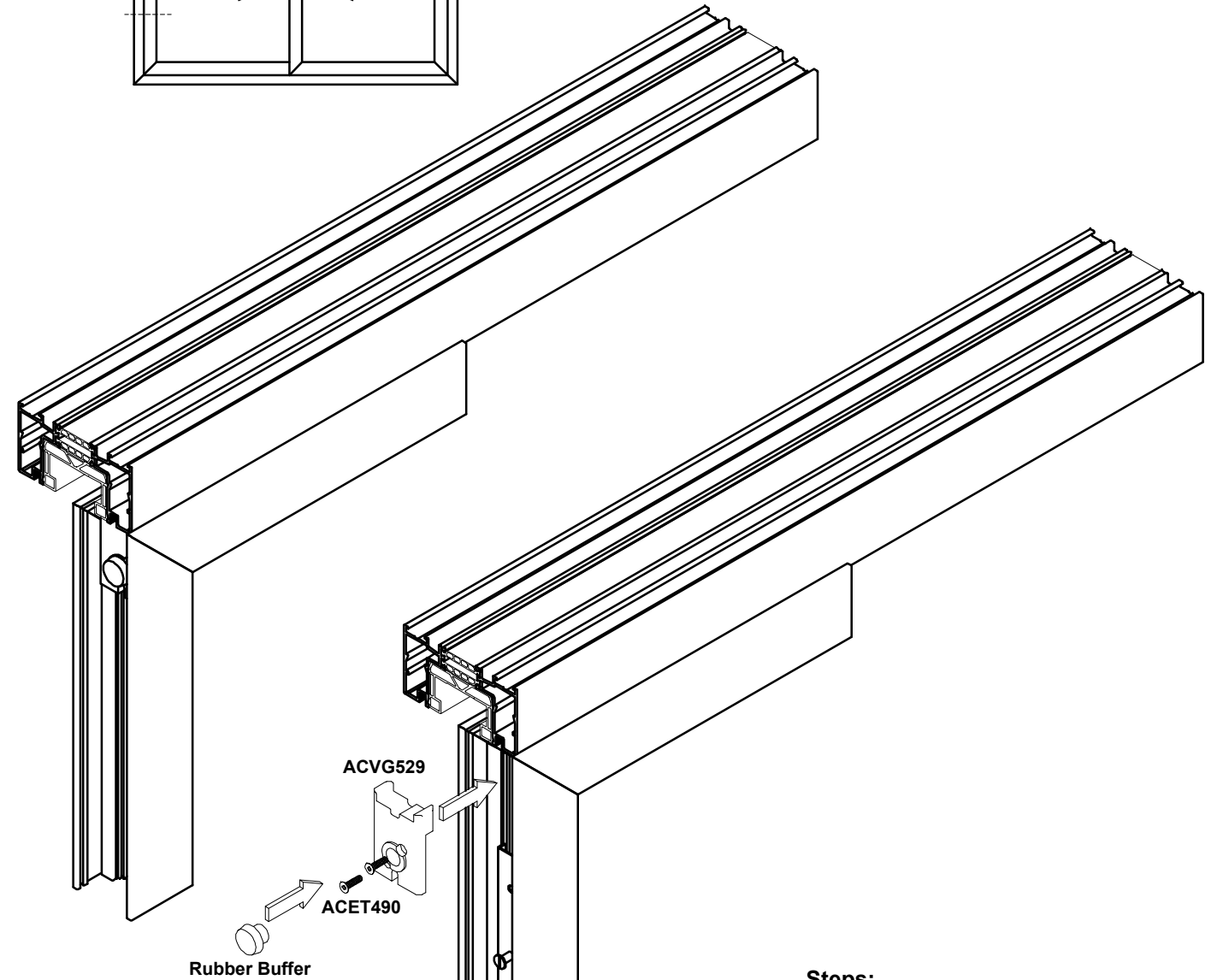
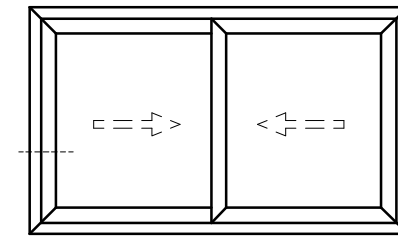
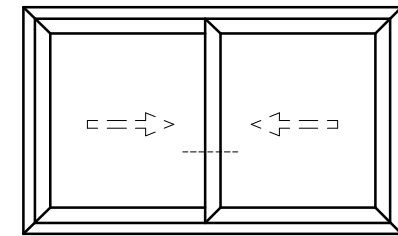
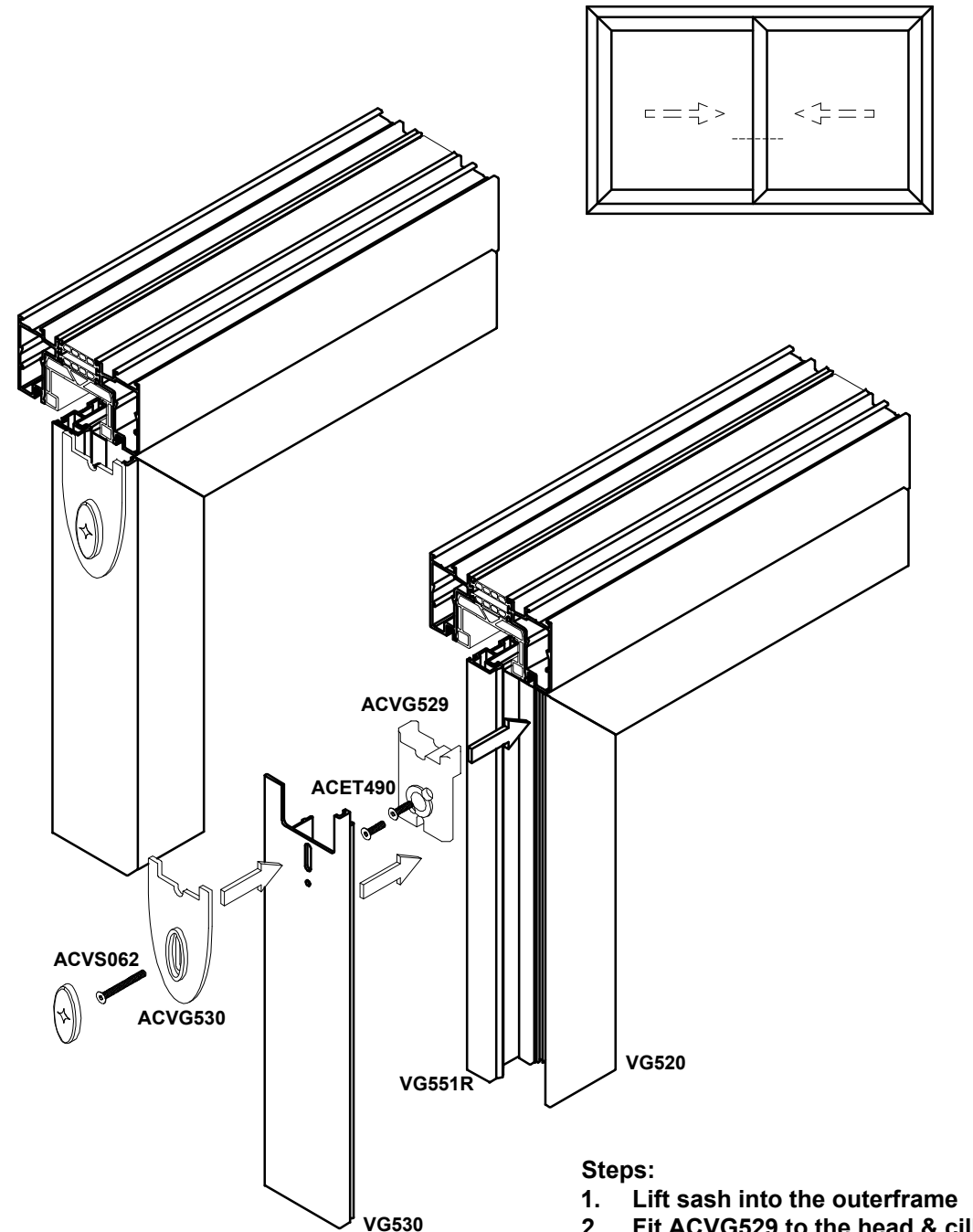
Do Not Scale From This Drawing

VG632 Fitting Details



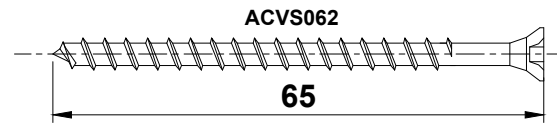
Do Not Scale From This Drawing

Sash Installation

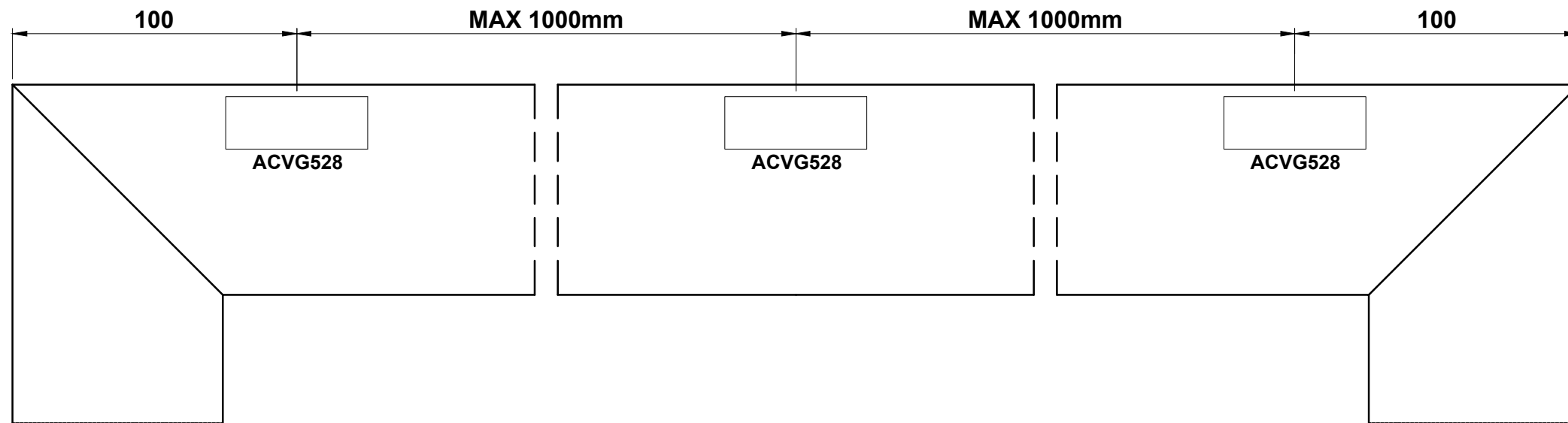
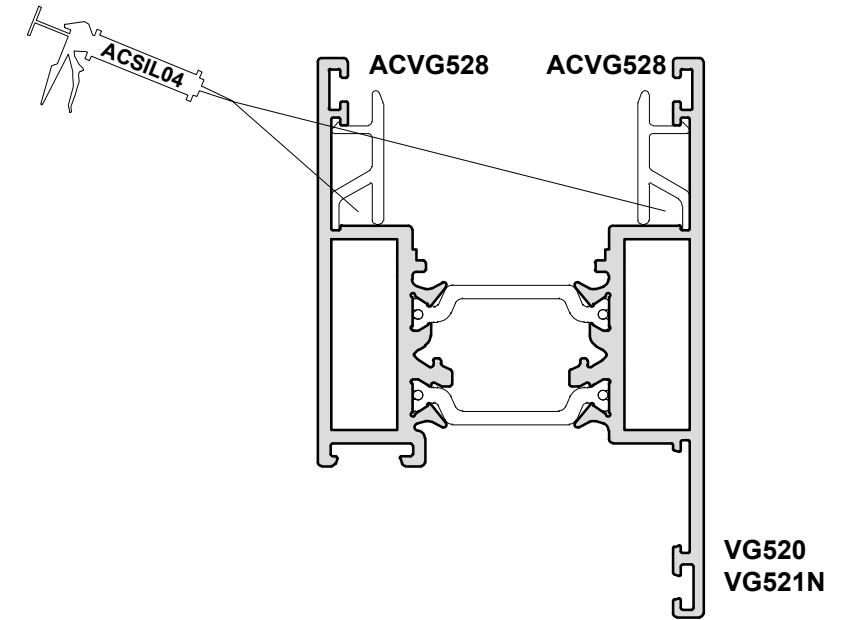
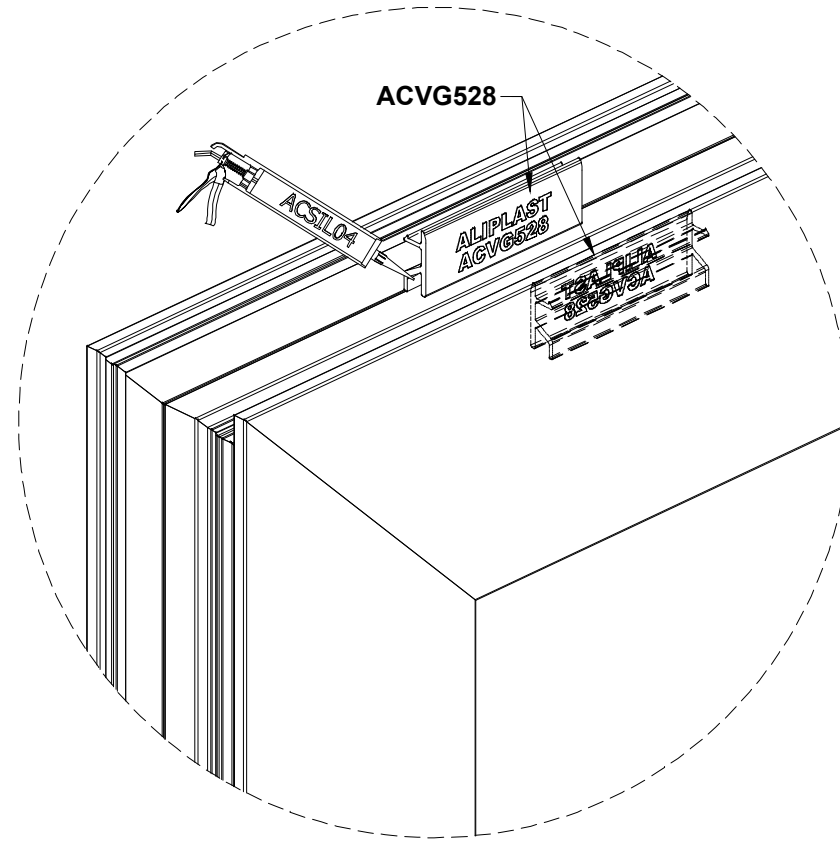
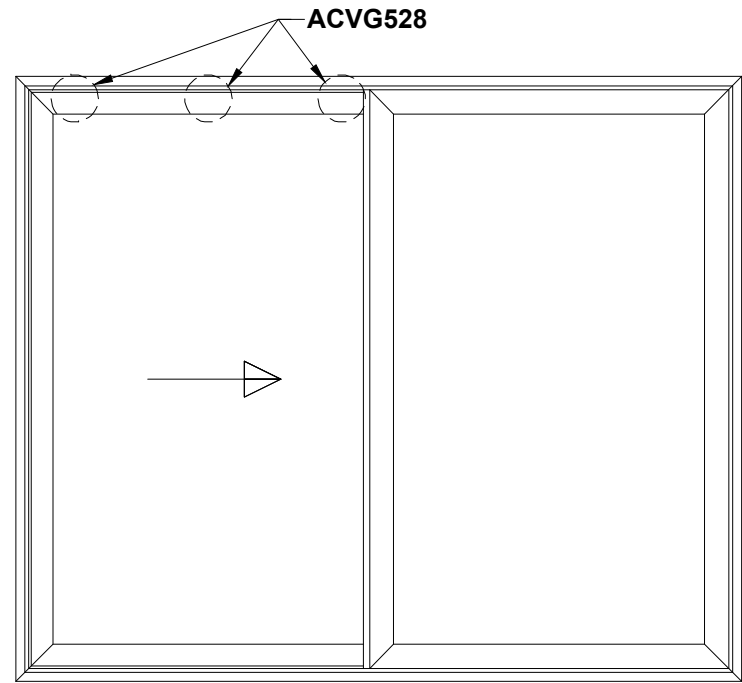


- Steps:**
1. Lift sash into the outerframe
 2. Fit ACVG529 to the head & cill using ACET490 screws
 3. Clip VG530 into position
 4. Fix ACVG530 onto VG530 at head & cill using ACVS062 polyamide screw and clip on screw cover cap.

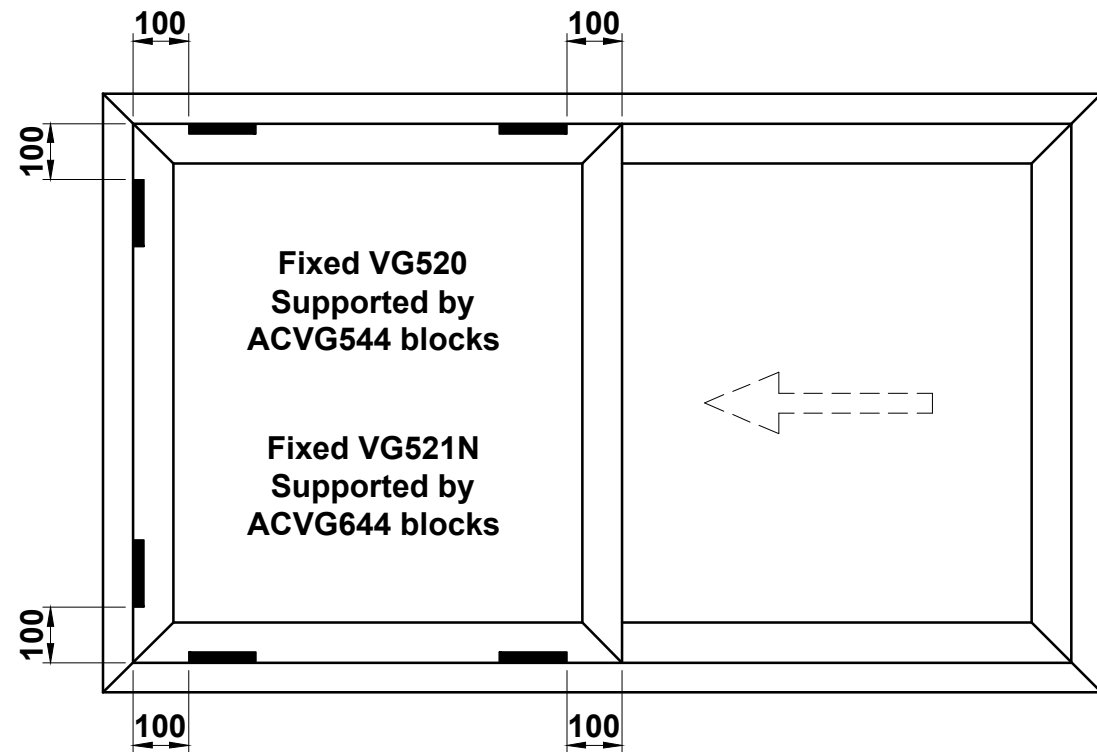
- Steps:**
1. Lift sash into the outerframe
 2. Fit ACVG529 to the head & cill using ACET490 screws
 3. Push fit the rubber buffers into both ACVG529's



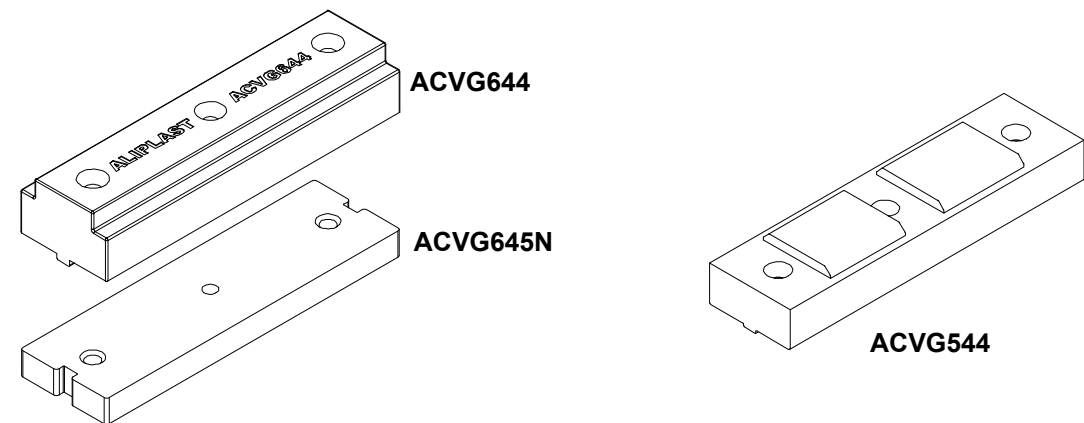
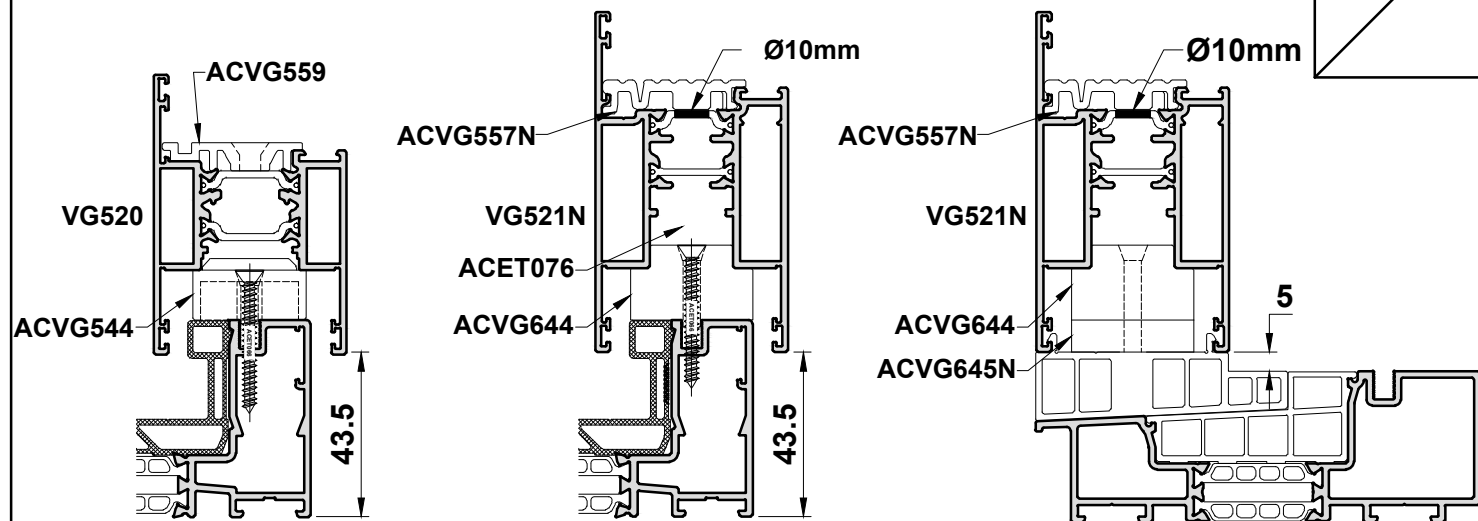
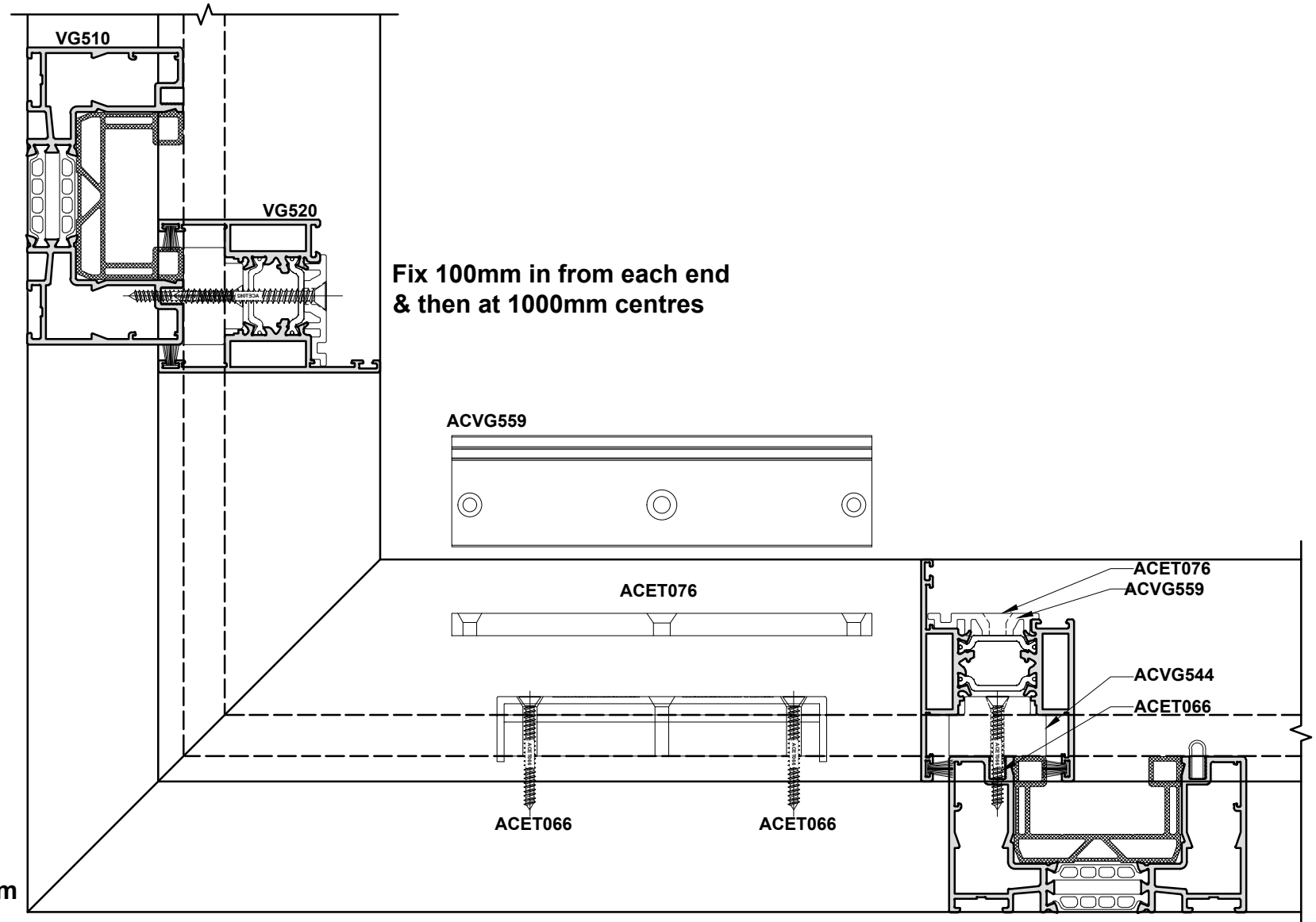
ACVG528 Position Details



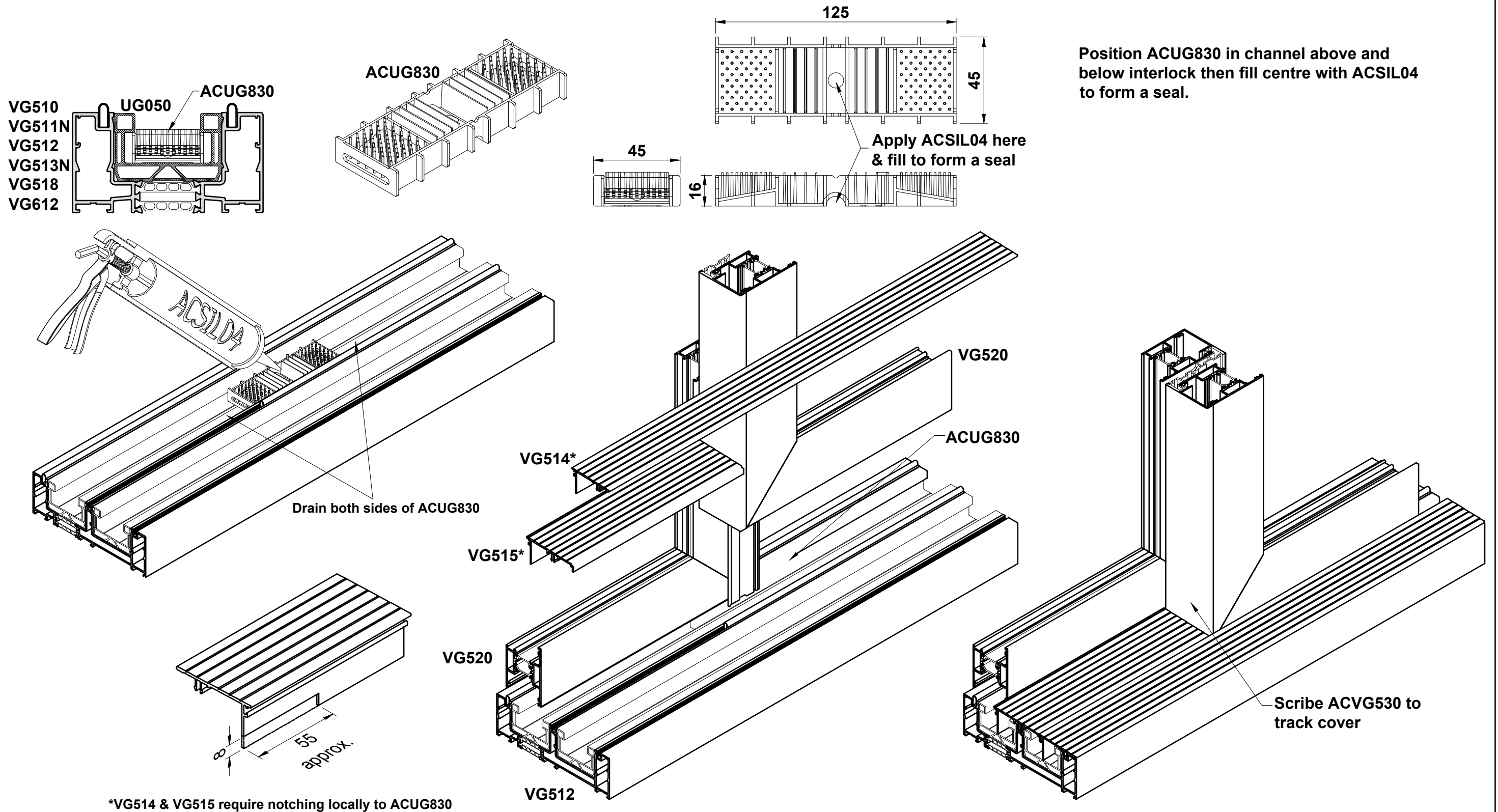
Fixed Sash Installation



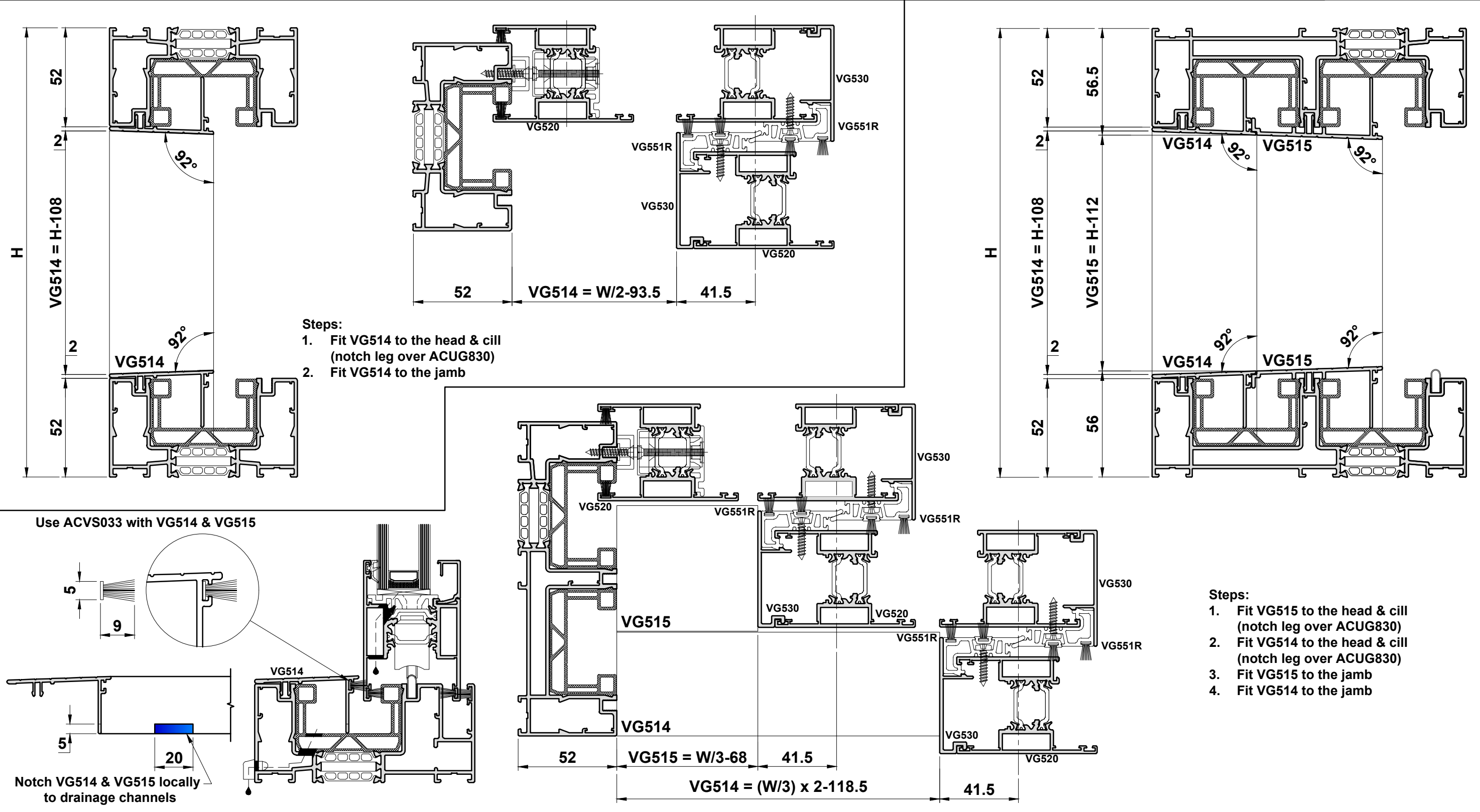
Please note that for improved weather performance the fixed pane should be positioned on the outer track so VG514/VG515 may be fitted.



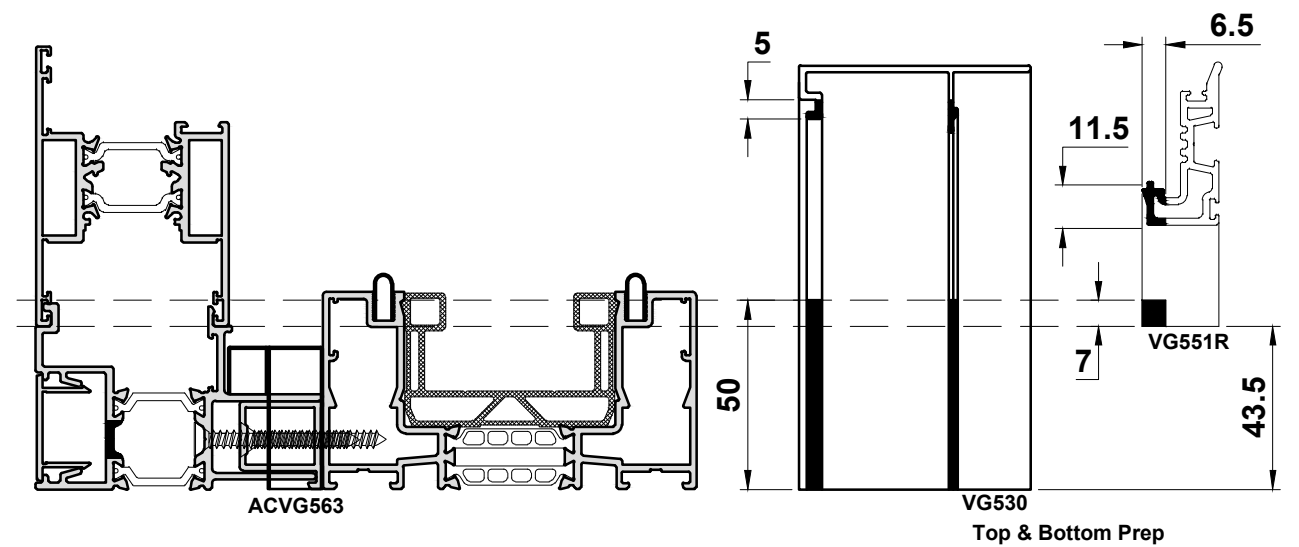
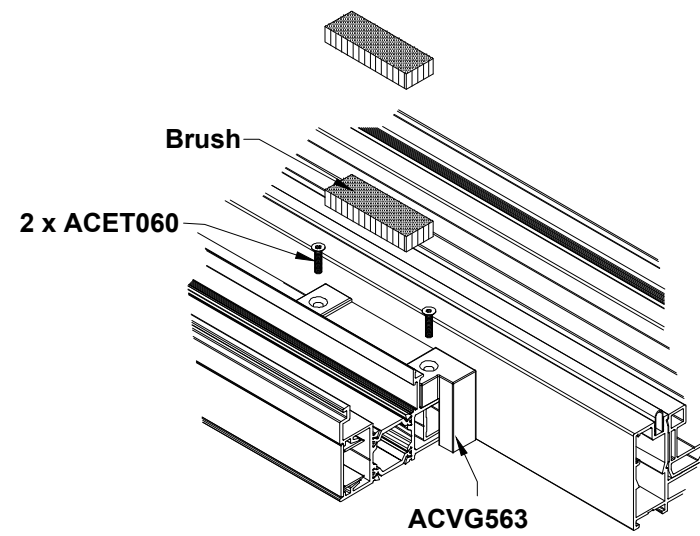
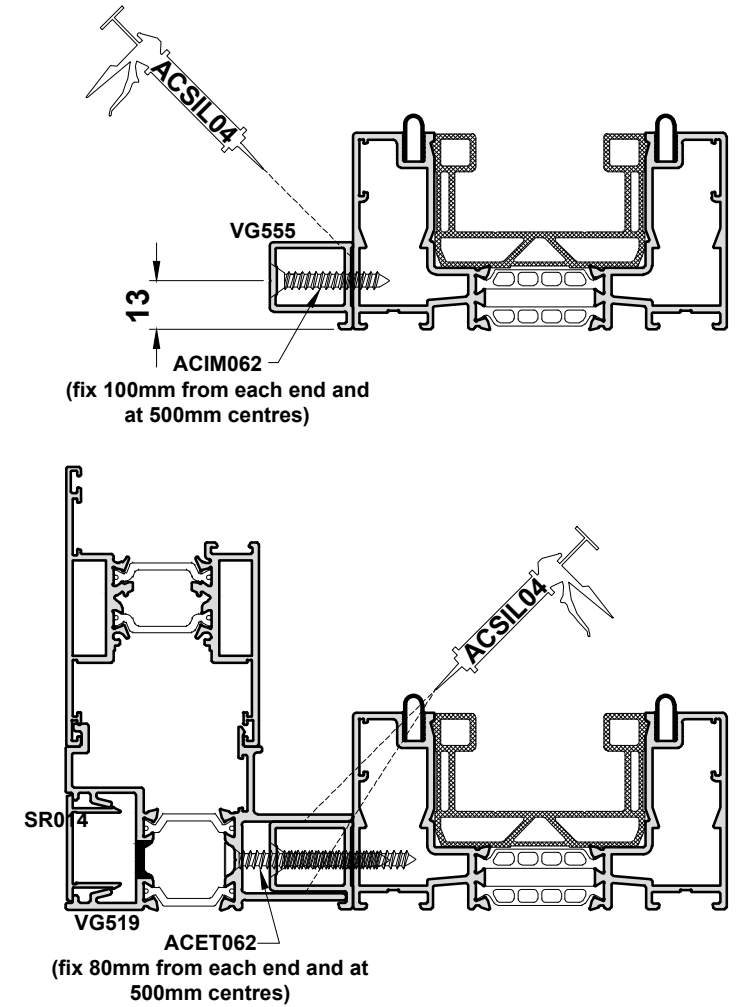
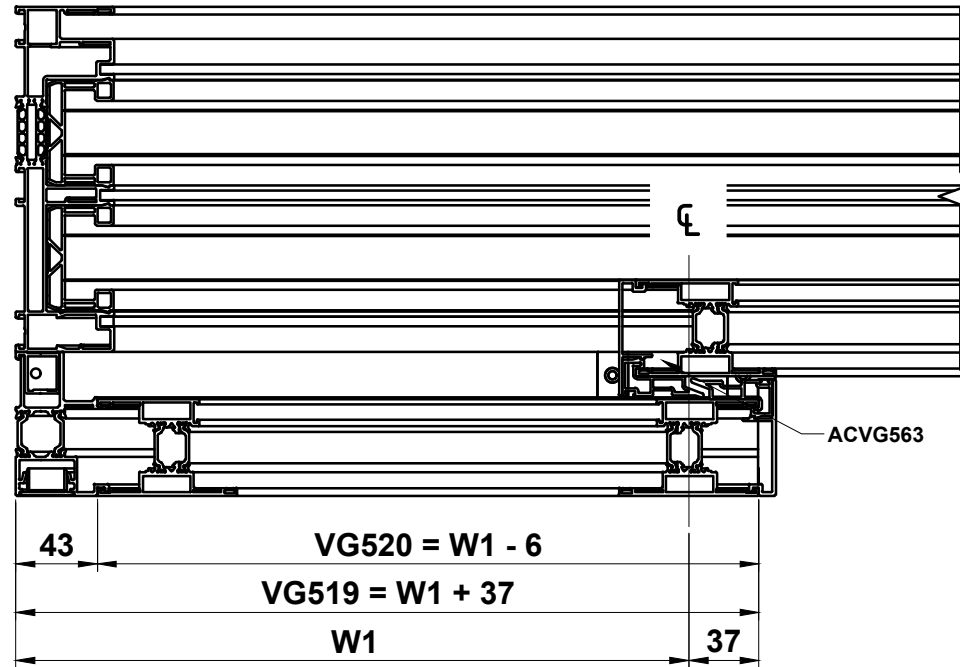
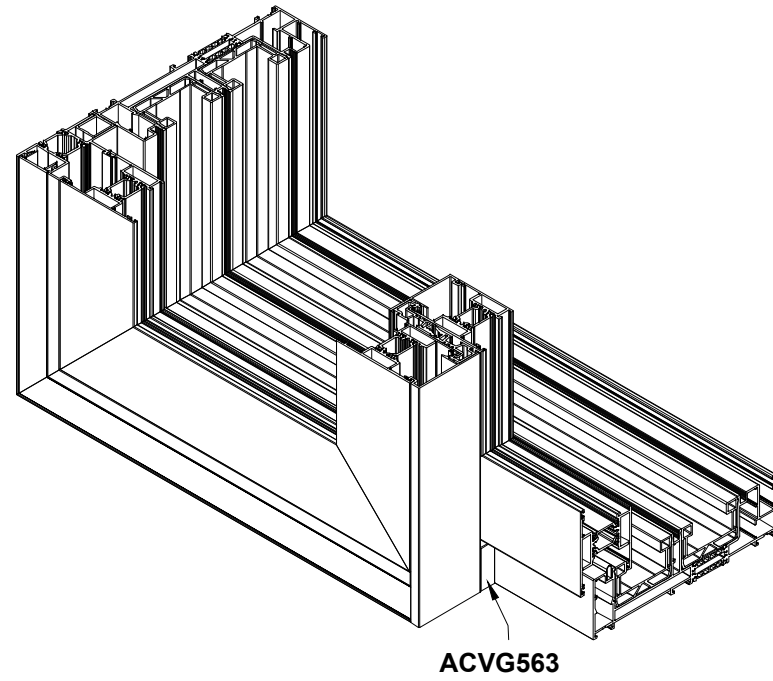
ACUG830 Fitting Detail



VG514 & VG515 Cutting & Fitting

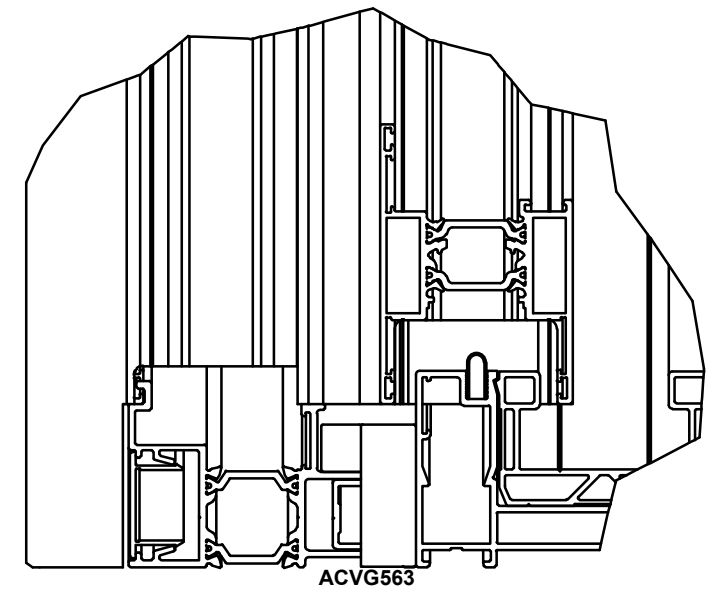
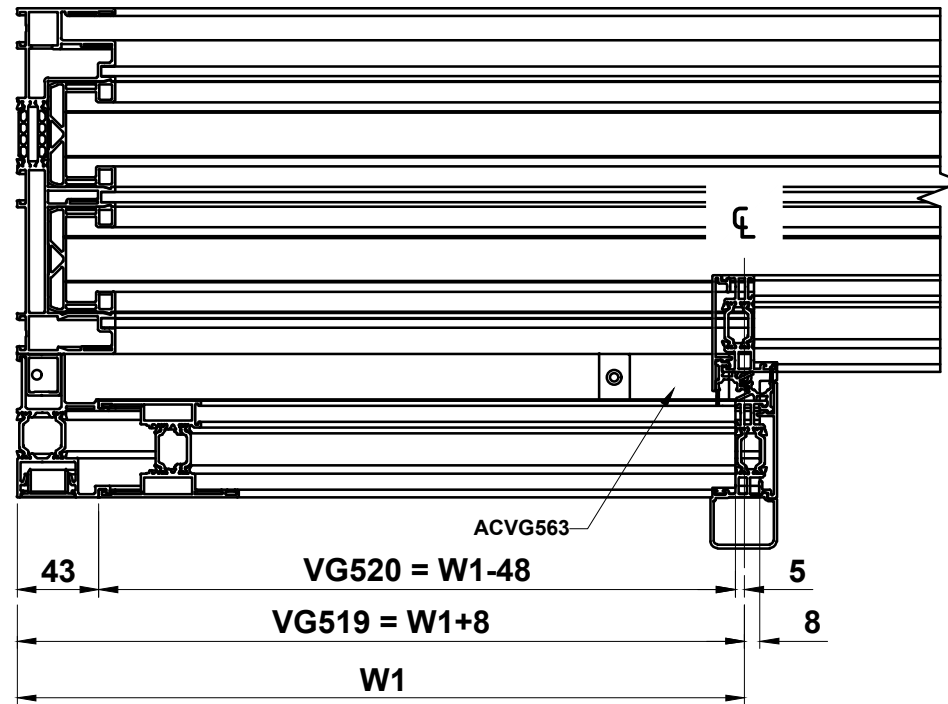
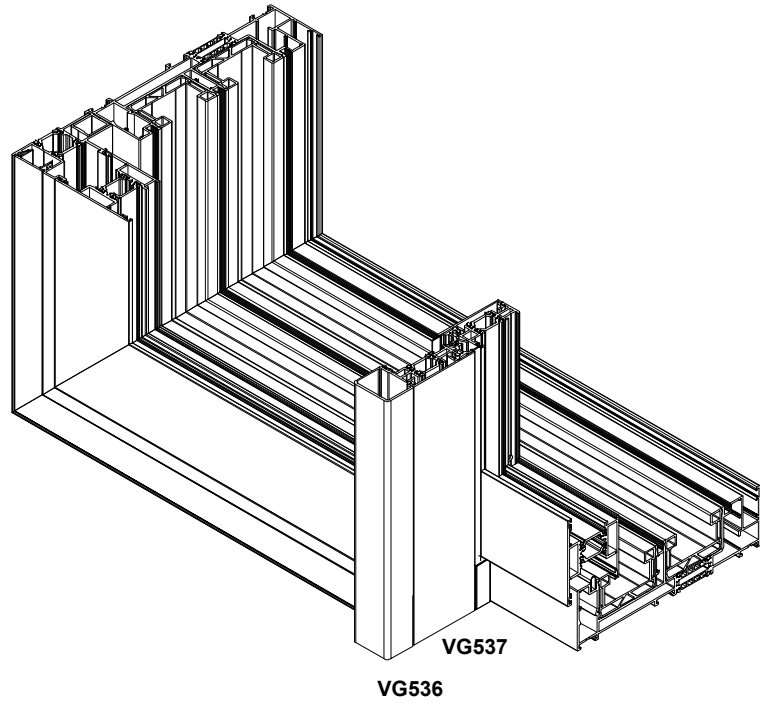


VG519 Details

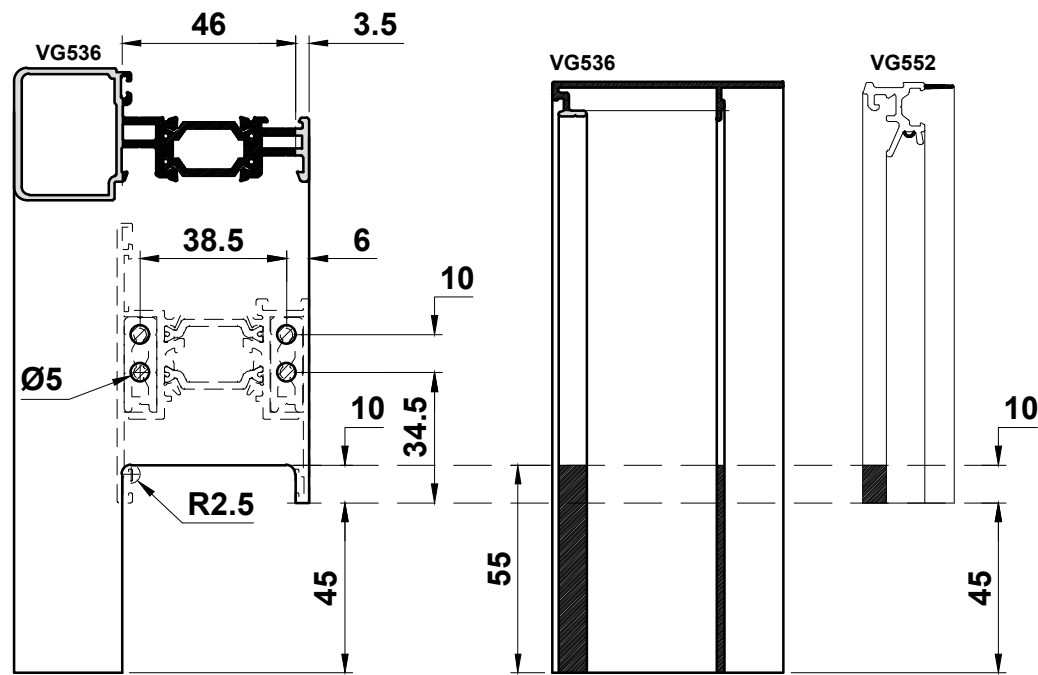


Do Not Scale From This Drawing

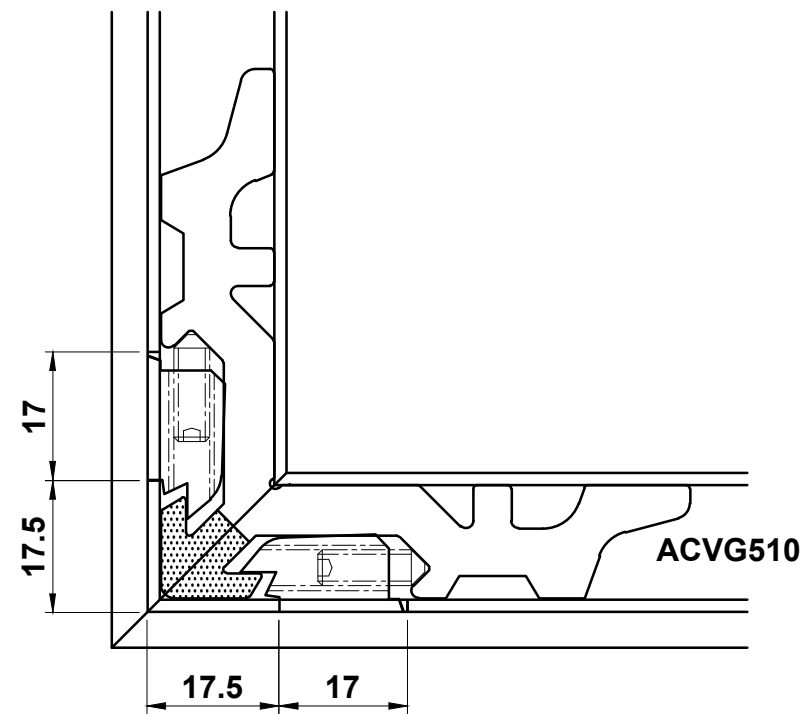
VG519 Details with Slim Interlock



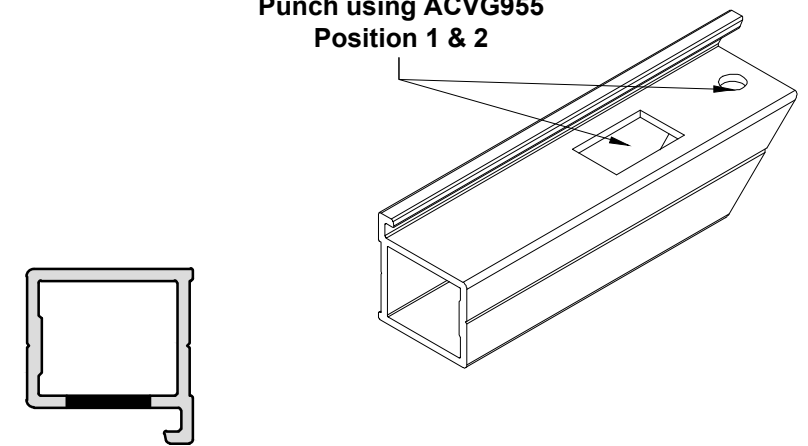
Use with details on previous page



Top & Bottom Prep

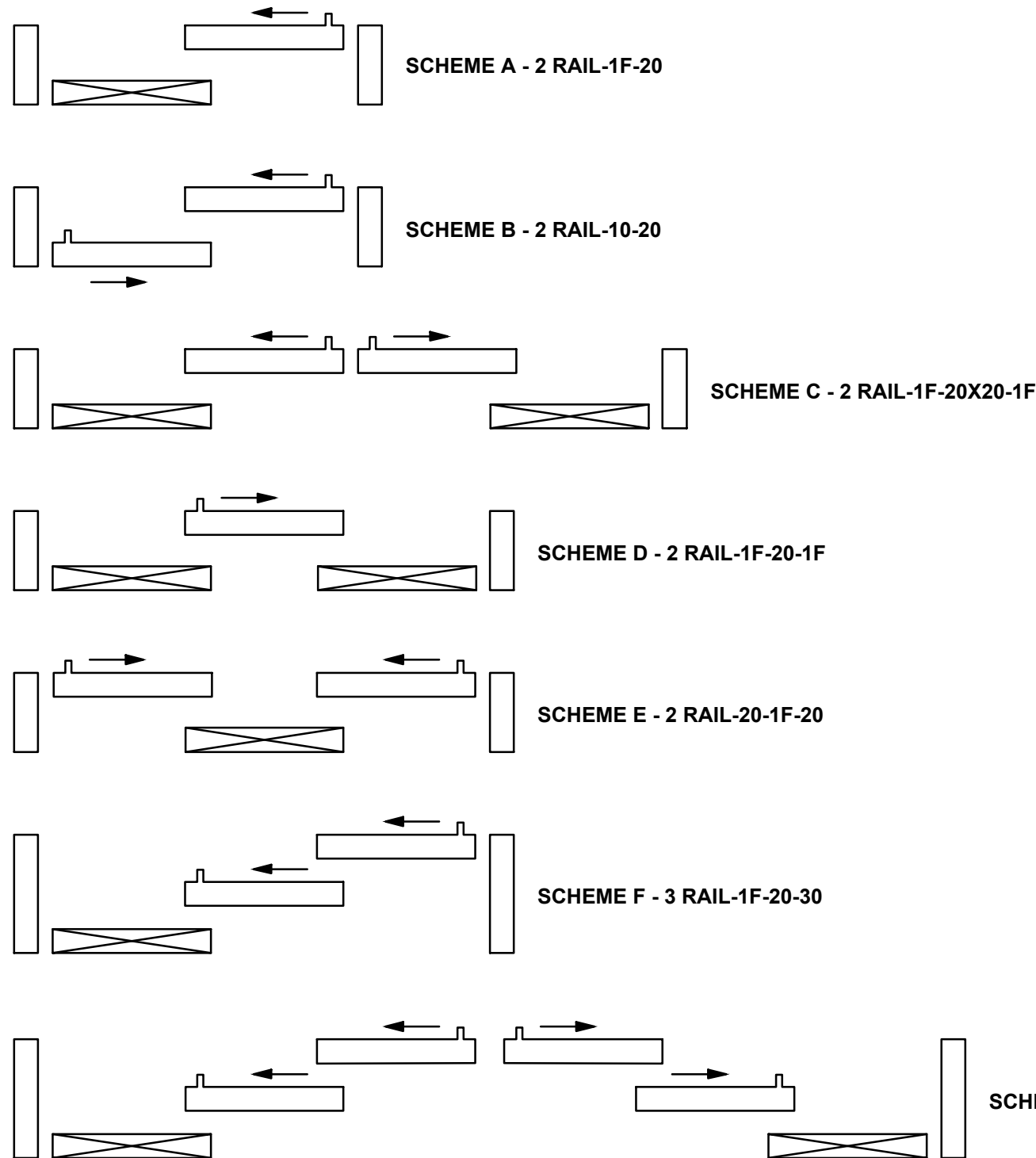


Punch using ACGV955
Position 1 & 2



Do Not Scale From This Drawing

Sobinco Lift & Slide Door Hardware Selection

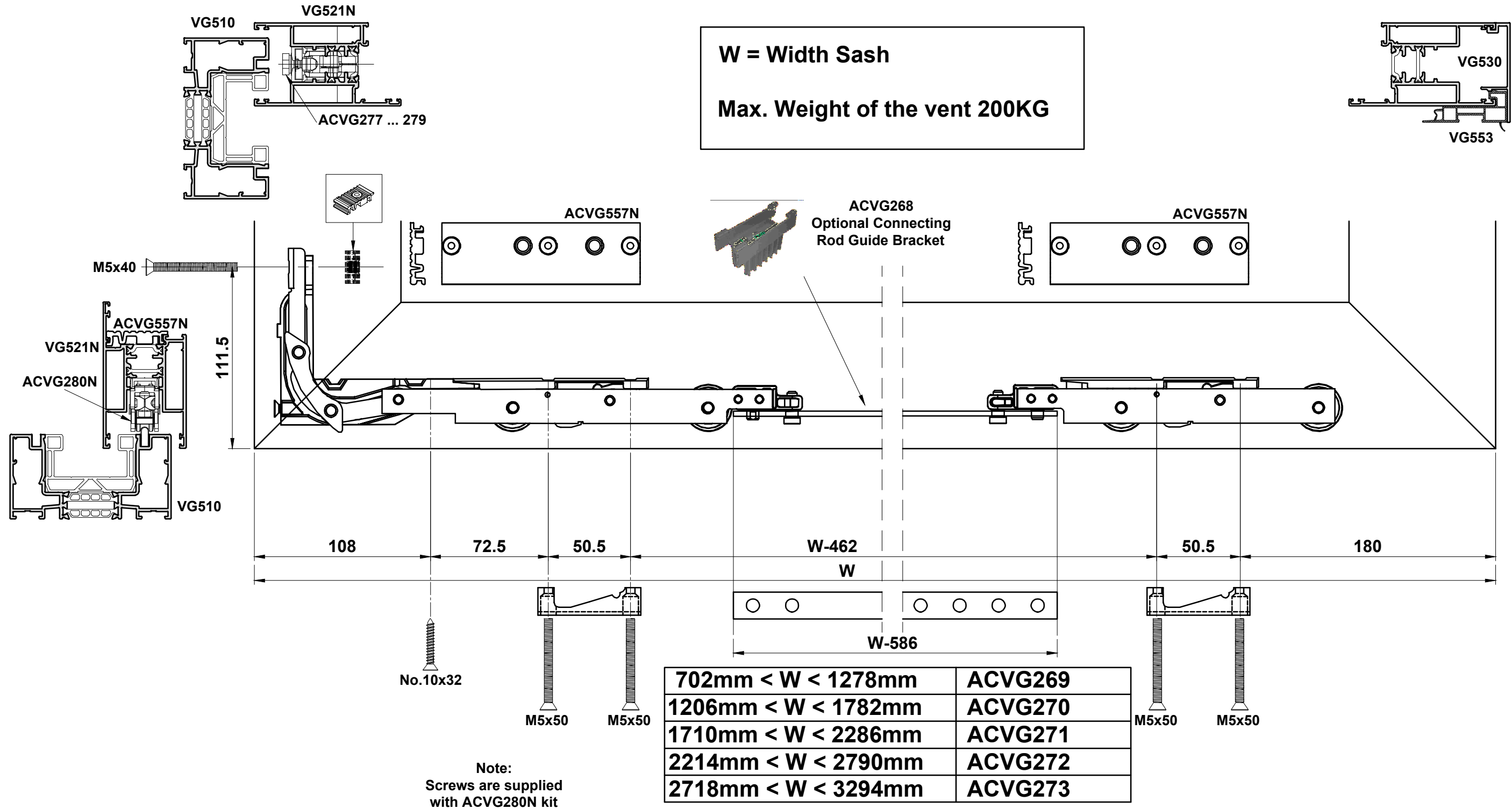


(*) OPTIONAL

QUANTITY							DESCRIPTION	PART NUMBER	
A	B	C	D	E	F	G			
1	2	2	1	2	2	4	LOCK		
							VENT HEIGHT		
							1718mm - 2218mm	ACVG277	
							2118mm - 2518mm	ACVG278	
							2418mm ...	ACVG279	
1	2	2	1	2	2	4	STANDARD: 4-POINT LOCK	ACVG280N	
							MAX:200 KG		
1	2	2	1	2	2	4	CONNECTING ROD		
							WIDTH SASH		
							702mm - 1278mm	ACVG269	
							1206mm - 1782mm	ACVG270	
							1710mm - 2286mm	ACVG271	
							2214mm - 2790mm	ACVG272	
							2718mm - 3294mm	ACVG273	
(*)	(*)	1	(*)	(*)	(*)	1	LOCKING POINT (BOTTOM)	ACVG281	
1	2	2	1	2	2	4	GUIDE BRACKET	ACVG268	
							1	BASIC SET LIFT & SLIDING DOOR 4 DOOR	ACVG240

Do Not Scale From This Drawing

Sobinco Lift & Slide Door with Standard Track



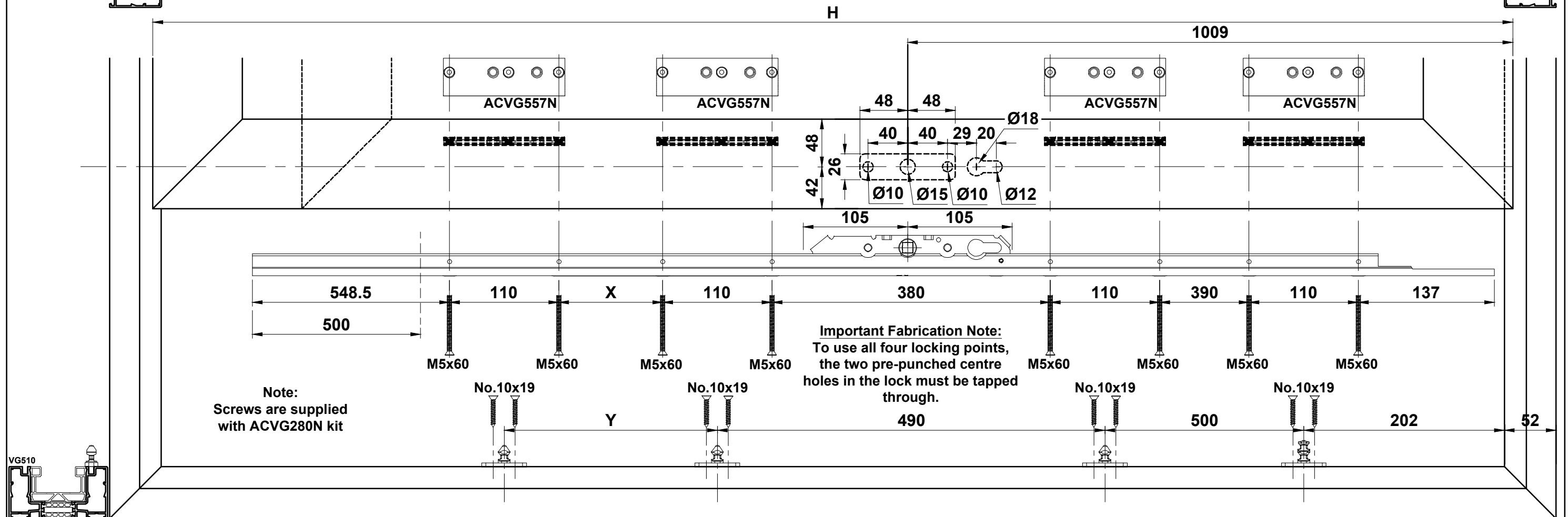
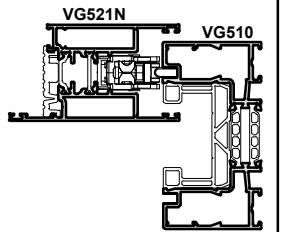
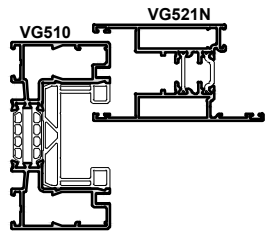
Do Not Scale From This Drawing

Sobinco Lift & Slide Single Door Locking Details

ext.	int.			2x	2 x
ACSZ860	ACSZ861	ACMX1138	ACMX0040	ACET235	ACSZ865
	ACSZ863		ACMX0040		
ACSZ862	ACSZ861	ACIM442			
	ACSZ863				
ACSZ871	ACSZ861	ACMX1070	ACMX0040		
	ACSZ863		ACMX3040		
ACSZ871 + ACSZ400	ACSZ863		ACMX4050		

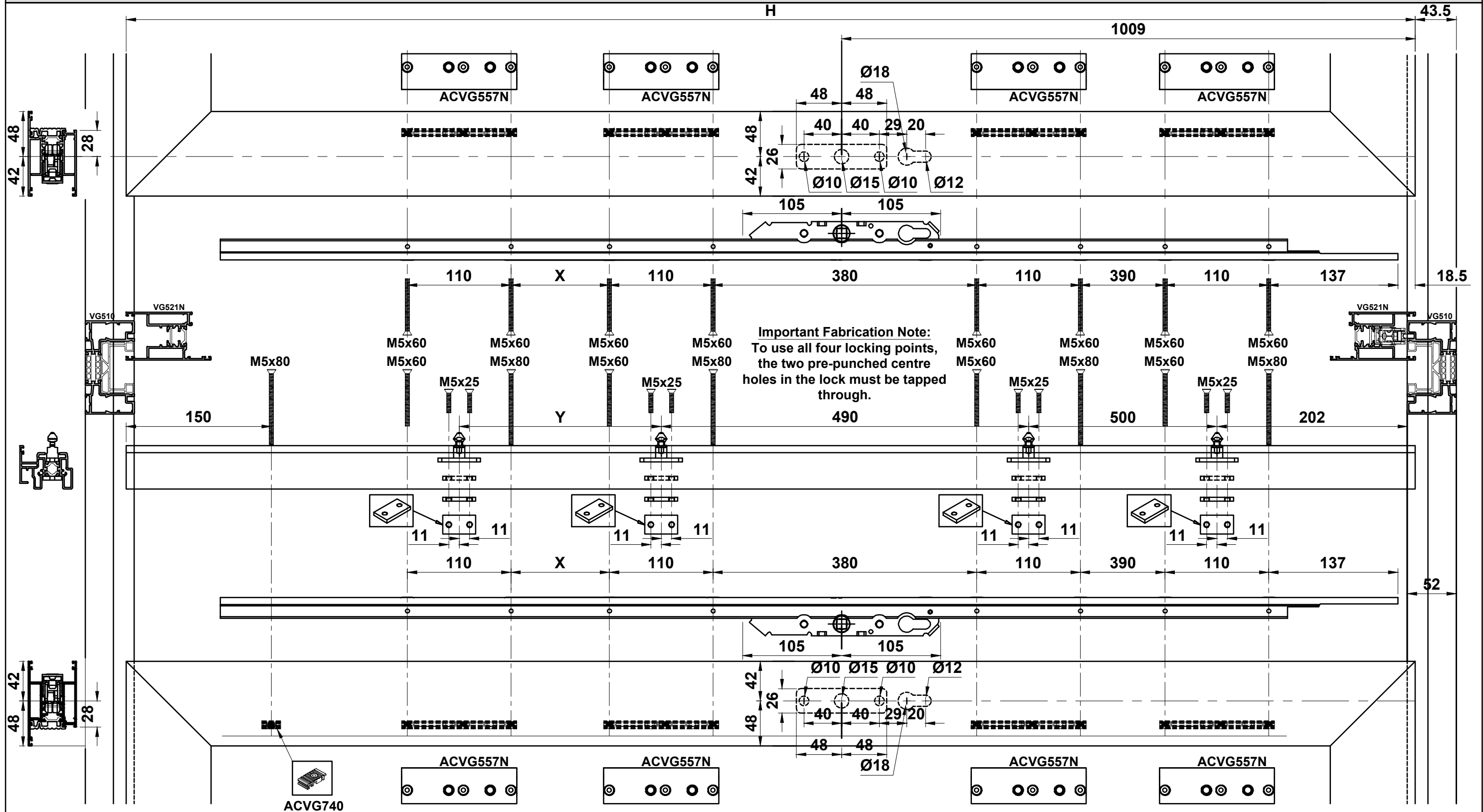
Vent Height		X (mm)	Y (mm)
1718 mm - 2218 mm	ACVG277	204.5	314.5
2118 mm - 2518 mm	ACVG278	604.5	714.5
2418 mm - ...	ACVG279	1004.5	1114.5

With Cylinder
 Without Cylinder



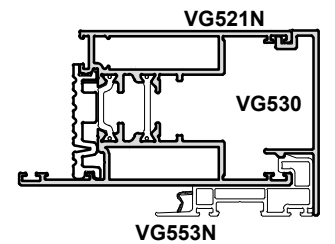
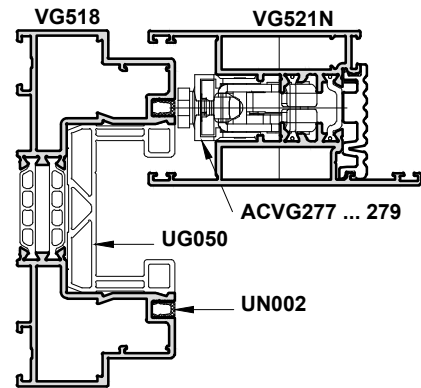
Do Not Scale From This Drawing

Sobinco Lift & Slide Double Door Lock Details



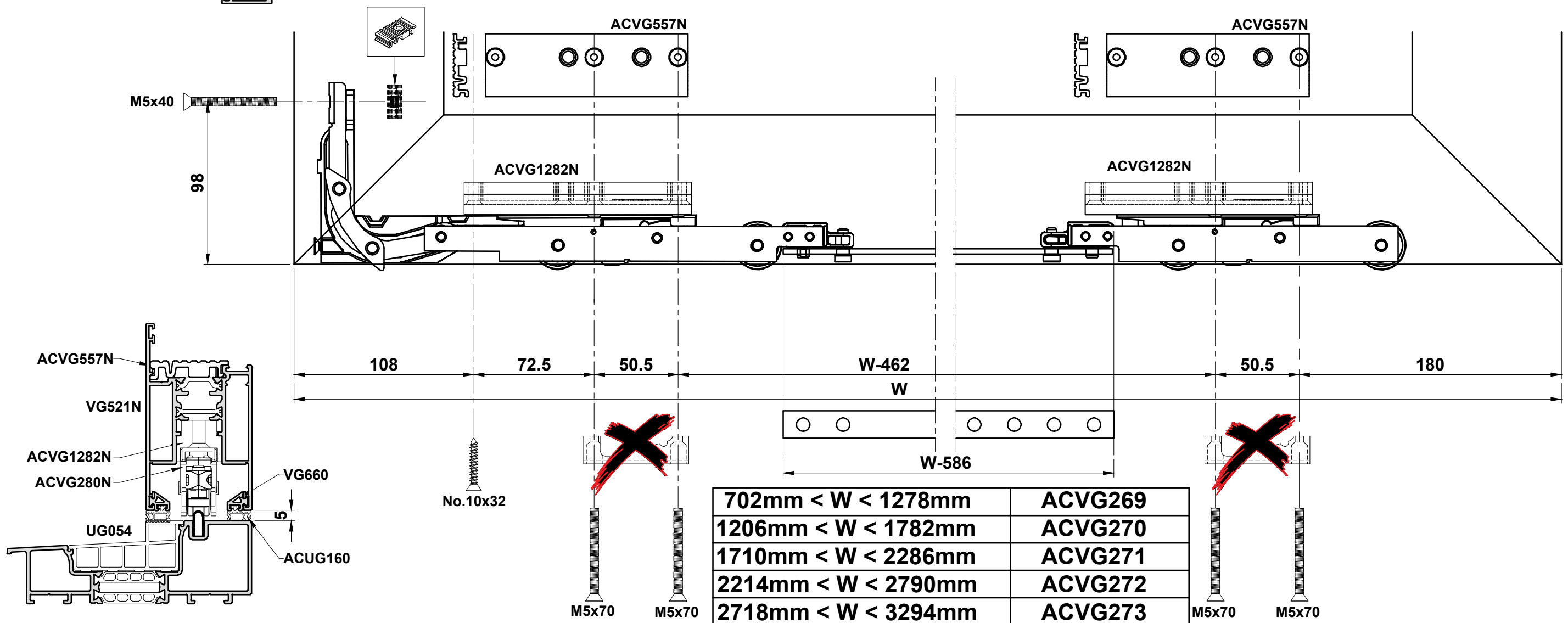
Do Not Scale From This Drawing

Sobinco Lift & Slide Gearing with VG516 Threshold



W = Width Sash

Max. Weight of the vent 200KG



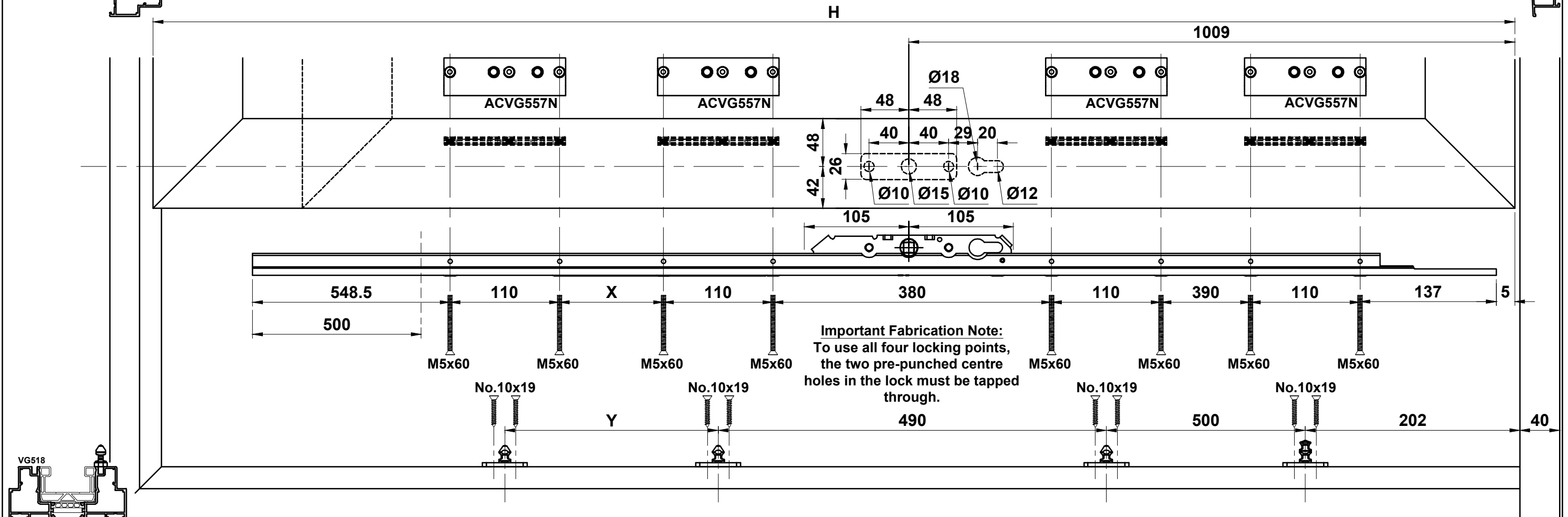
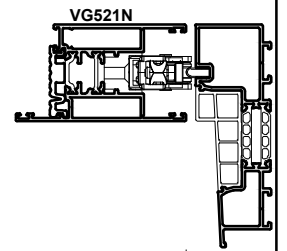
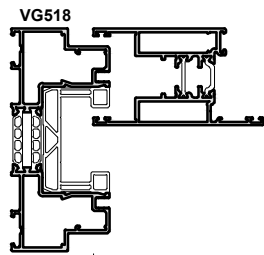
Do Not Scale From This Drawing

Sobinco Lift & Slide Lock with VG516 Threshold

ext.	int.			2x	2x
ACSZ860	ACSZ861	ACMX1138	ACMX0040	ACET235	ACSZ865
	ACSZ863		ACMX0040		
ACSZ862	ACSZ861		ACIM442		
	ACSZ863				
ACSZ871	ACSZ861	ACMX1070	ACMX0040		
	ACSZ863		ACMX3040		
ACSZ871 + ACSZ400	ACSZ863		ACMX4050		

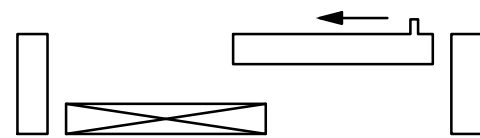
Vent Height		X (mm)	Y (mm)
1718 mm - 2218 mm	ACVG277	204.5	314.5
2118 mm - 2518 mm	ACVG278	604.5	714.5
2418 mm - ...	ACVG279	1004.5	1114.5

With Cylinder
 Without Cylinder

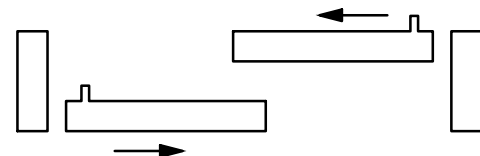


Do Not Scale From This Drawing

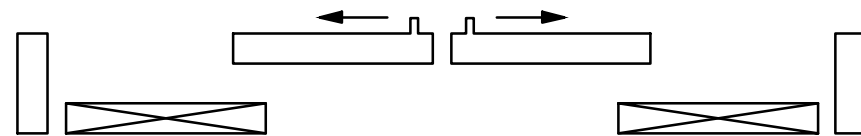
Hautau Lift & Slide Door Hardware Selection



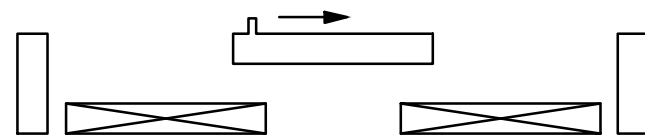
SCHEME A - 2 RAIL-1F-20



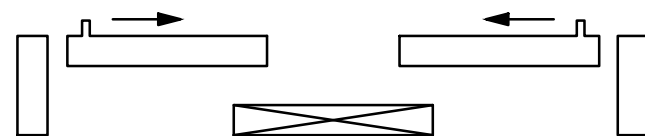
SCHEME B - 2 RAIL-10-20



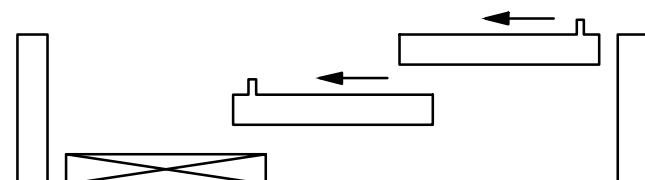
SCHEME C - 2 RAIL-1F-20X20-1F



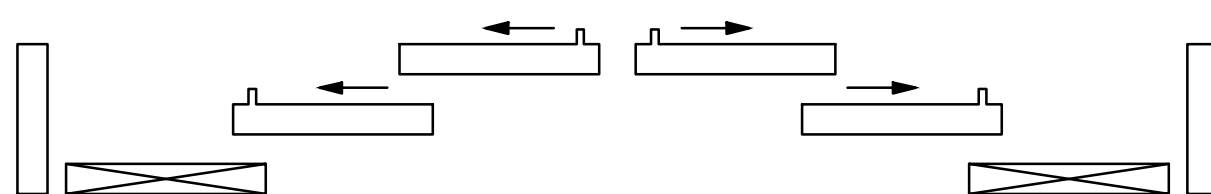
SCHEME D - 2 RAIL-1F-20-1F



SCHEME E - 2 RAIL-20-1F-20



SCHEME F - 3 RAIL-1F-20-30



SCHEME G - 2 RAIL-1F-20-30X30-20-1F

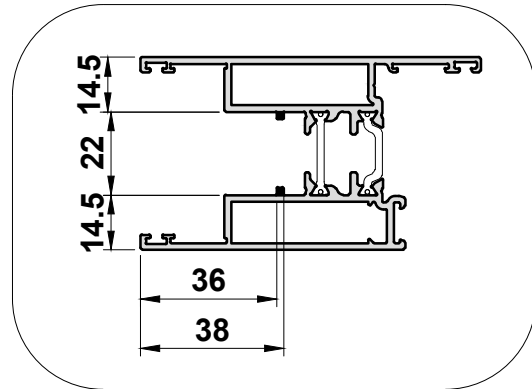
QUANTITY							DESCRIPTION	PART NUMBER	
A	B	C	D	E	F	G			
1	2	2	1	2	2	4	LOCK		
							VENT HEIGHT		
							1877mm - 2176mm	ACVG1277	
							2177mm - 2476mm	ACVG1278	
							2477mm - ...	ACVG1279	
1	2	2	1	2	2	4	BASIC LIFT AND SLIDE KIT	ACVG1280	
							MAX: 250KG		
1(*)	2(*)	1(*)	1(*)	2(*)	1(*)	1(*)	ADDITIONAL KEEP	ACVG1220	
1(*)	2(*)	1(*)	1(*)	2(*)	1(*)	1(*)	ADDITIONAL KEEP WITH NIGHT VENTILATION	ACVG1222	
		1				1	BASIC SASH TO SASH LOCK SET	ACVG1240	
		1				1	LOCKING POINT	ACUG221	
1	2	2	1	2	2	4	CONNECTING ROD		
							MAX 250KG WIDTH SASH	MAX 300KG WIDTH SASH	
							650mm - 1360 mm	1120mm - 1800mm	ACUG230
							1361mm - 1860mm	1801mm - 2300mm	ACUG231
							1861mm - 2360mm	2301mm - 2800mm	ACUG232
								2801mm - 3235mm	ACUG233
1	2	2	1	2	2	4	ADDITIONAL ROLLERS	ACVG1274(**)	

(*) OPTIONAL
(**) ≤ 300KG SASH WEIGHT

Do Not Scale From This Drawing

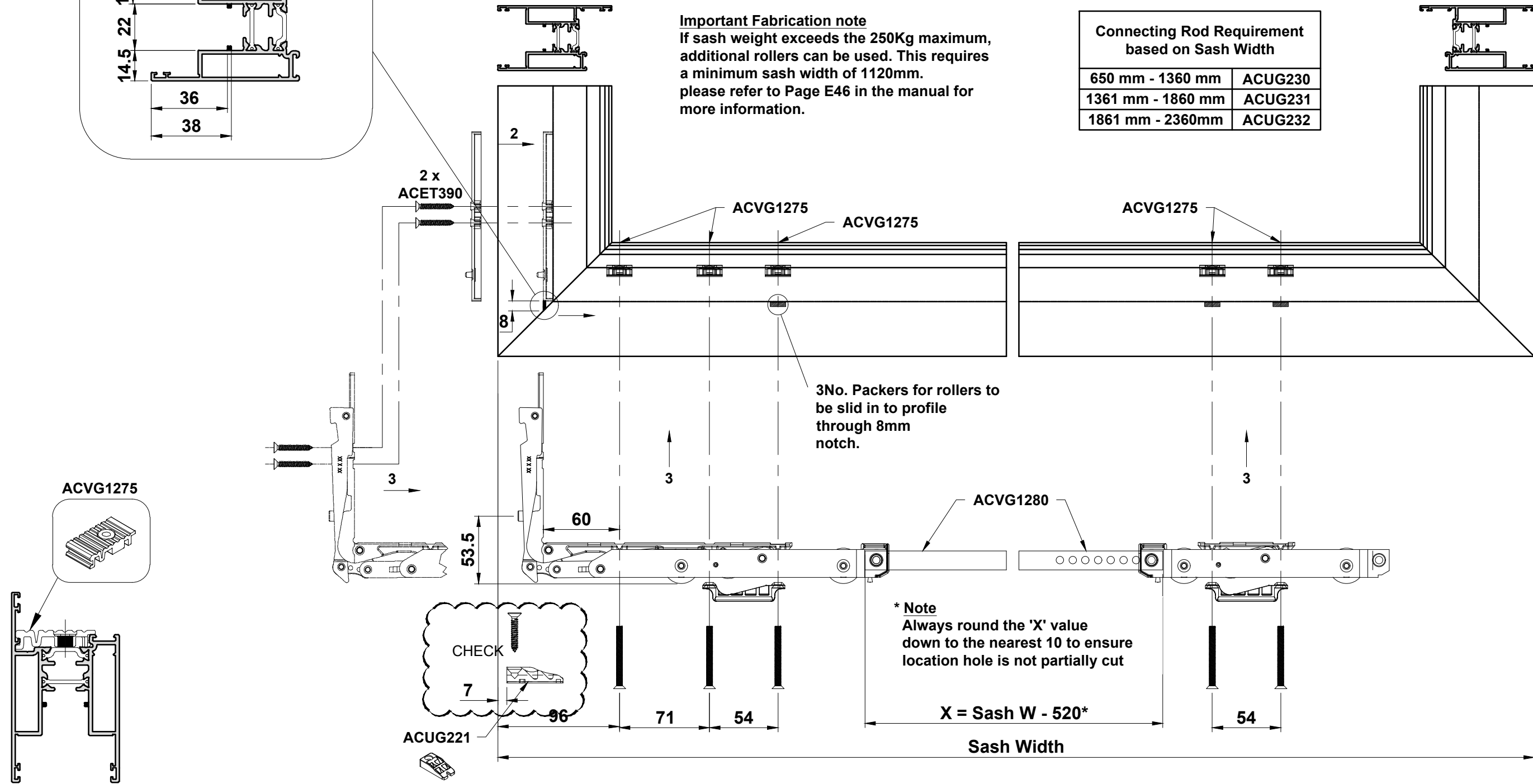
Hautau Lift & Slide Gearing For Sash 250Kg and below

Milling Detail
Scale 1:2

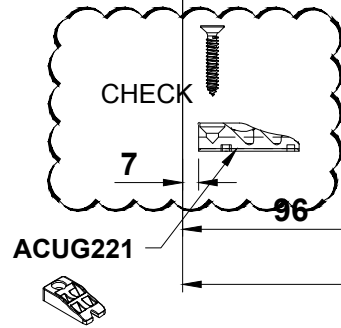
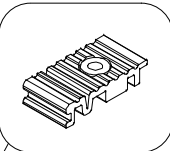


Important Fabrication note
If sash weight exceeds the 250Kg maximum, additional rollers can be used. This requires a minimum sash width of 1120mm. please refer to Page E46 in the manual for more information.

Connecting Rod Requirement based on Sash Width	
650 mm - 1360 mm	ACUG230
1361 mm - 1860 mm	ACUG231
1861 mm - 2360mm	ACUG232

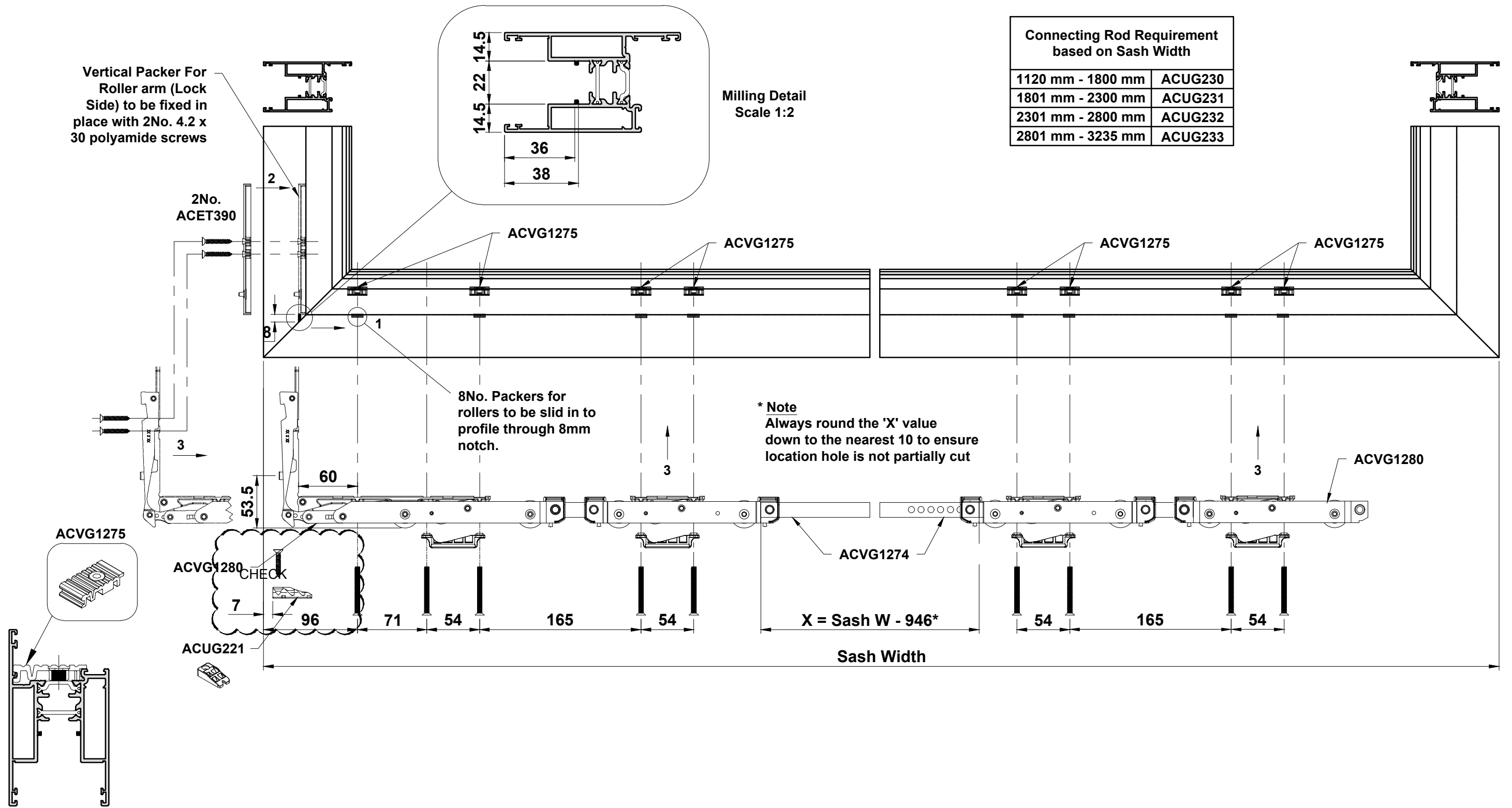


ACVG1275



Do Not Scale From This Drawing

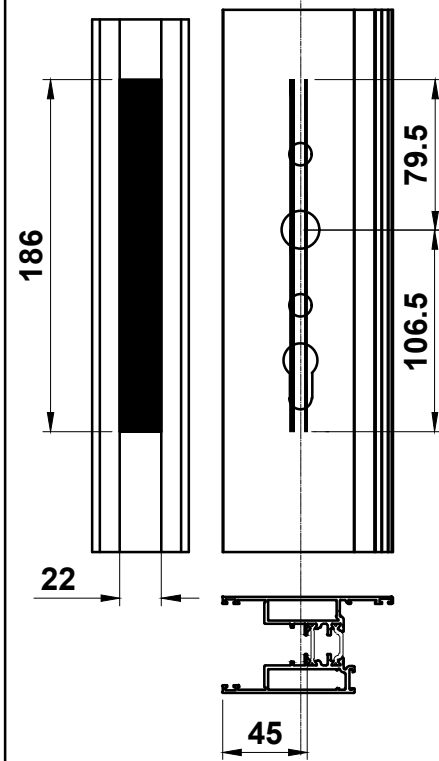
Hautau Lift & Slide Gearing For Sash 300Kg and below



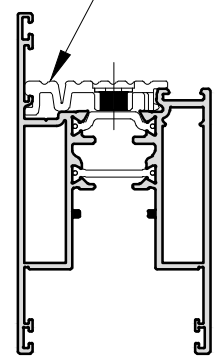
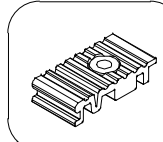
Do Not Scale From This Drawing

Hautau Lift & Slide Lock

Milling Detail For
Lock Back set
Scale 1:2

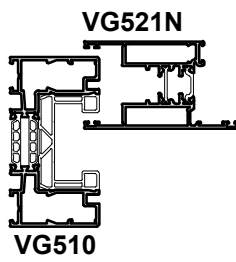


ACVG1275

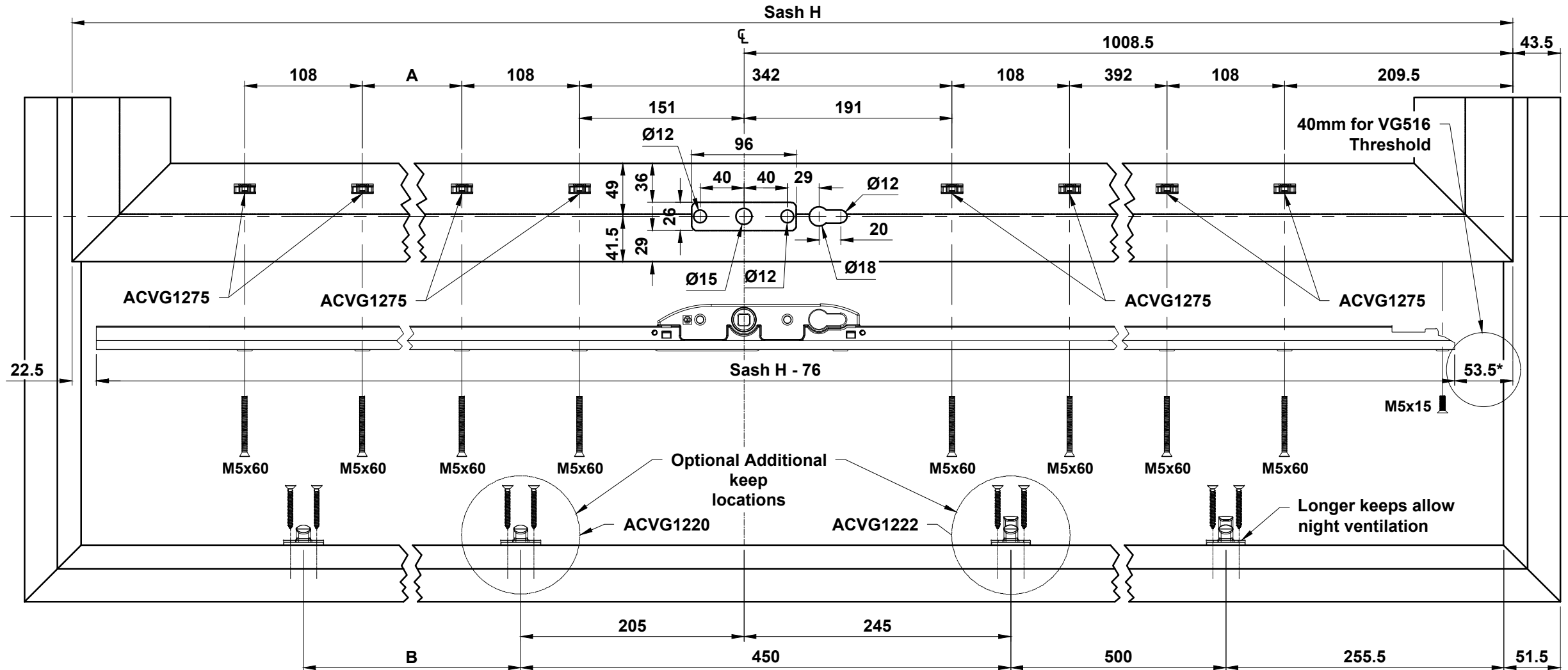
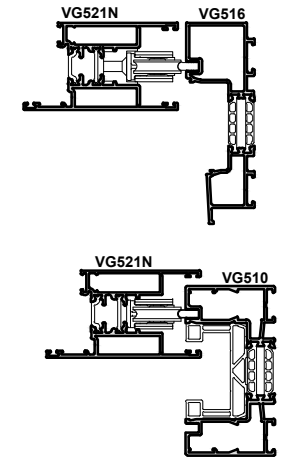


☉ With Cylinder
✕ Without Cylinder

Sash Height		A (mm)	B (mm)
1877 mm - 2176 mm	ACVG1277	292	400
2177 mm - 2476 mm	ACVG1278	592	700
2418 mm - 2500mm	ACVG1279	892	1000

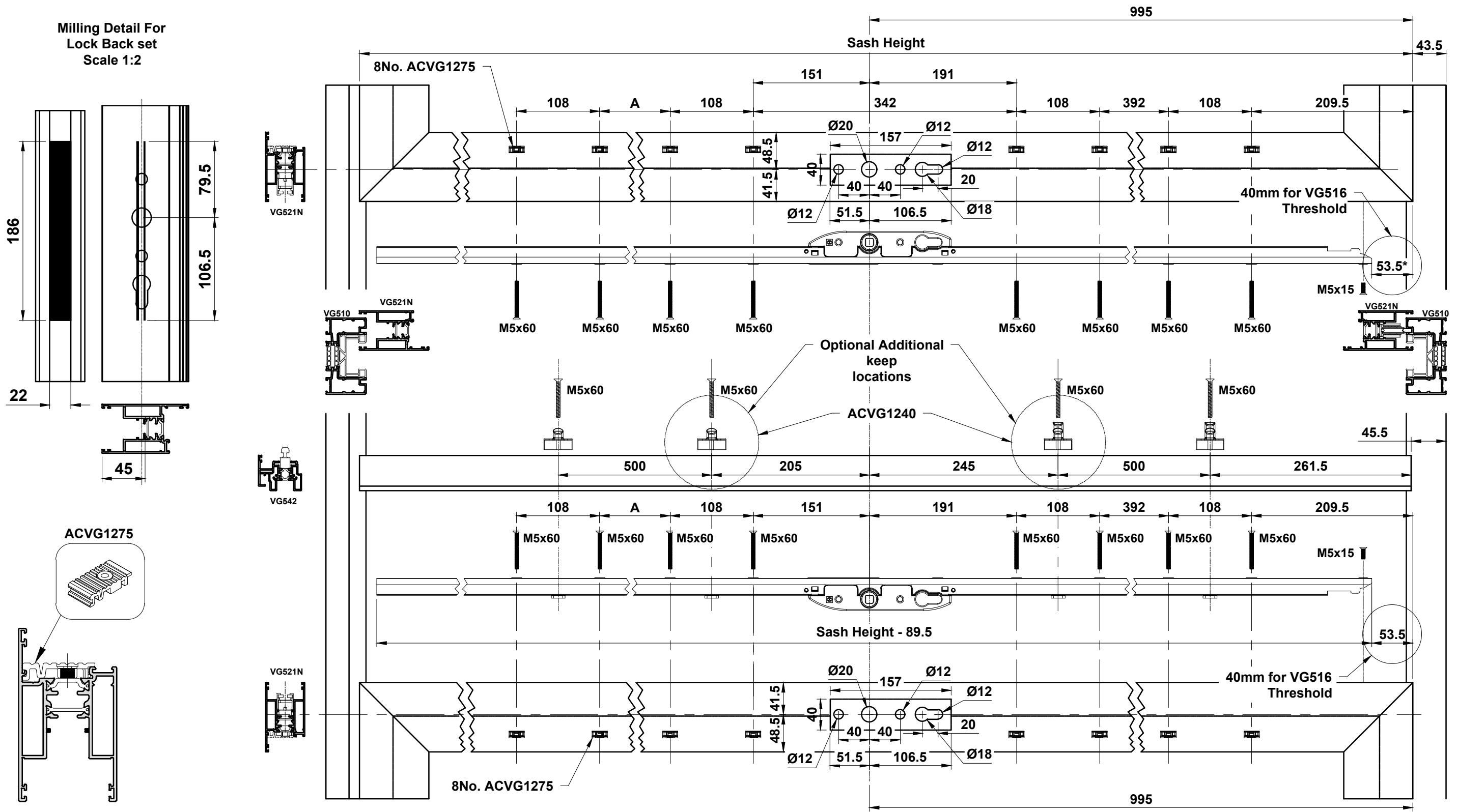


ext.	int.			2x	2x
ACSZ860 ✕	ACSZ861 ✕	ACMX1130	ACMX0040	ACET235	ACSZ865
ACSZ862 ☉	ACSZ863 ☉		ACMX0040		
	ACSZ861 ✕	ACIM442			
	ACSZ863 ☉	ACMX0040			
ACSZ871	ACSZ861 ✕	ACMX1075	ACMX0040		
	ACSZ863 ☉		ACMX3040		
ACSZ871 + ACSZ400	ACSZ863 ☉		ACMX4050		

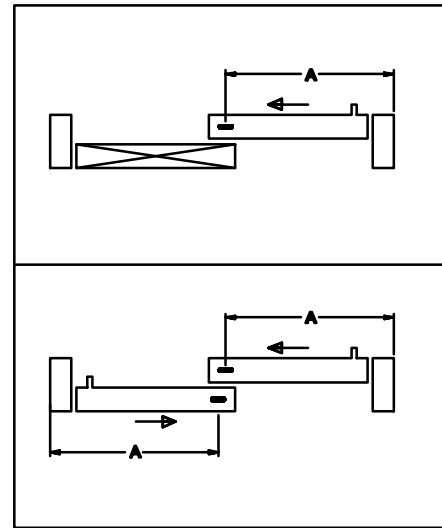
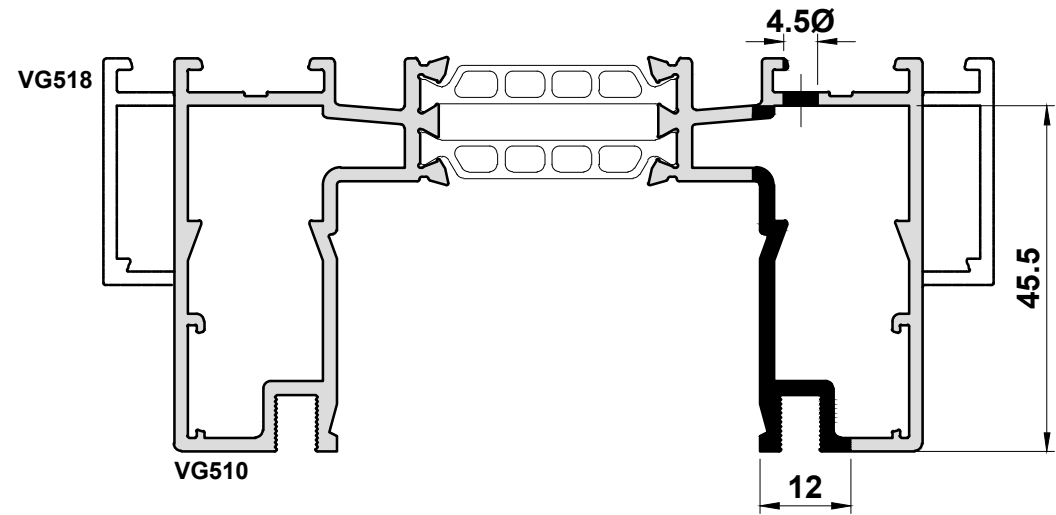


Do Not Scale From This Drawing

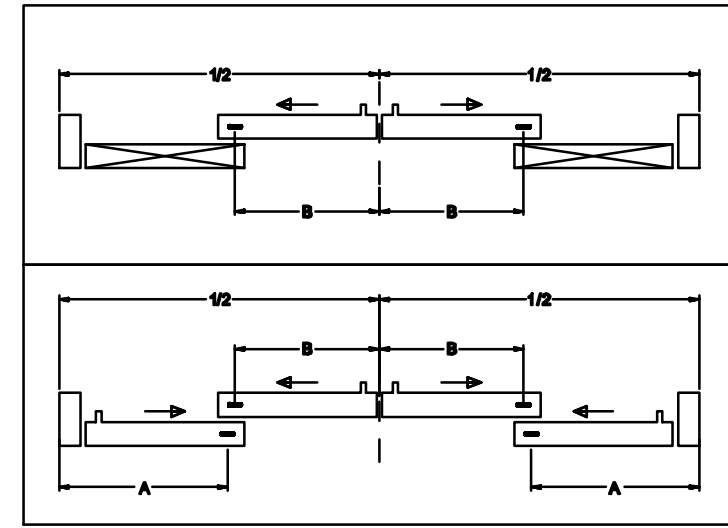
Hautau Lift & Slide Double Door Lock



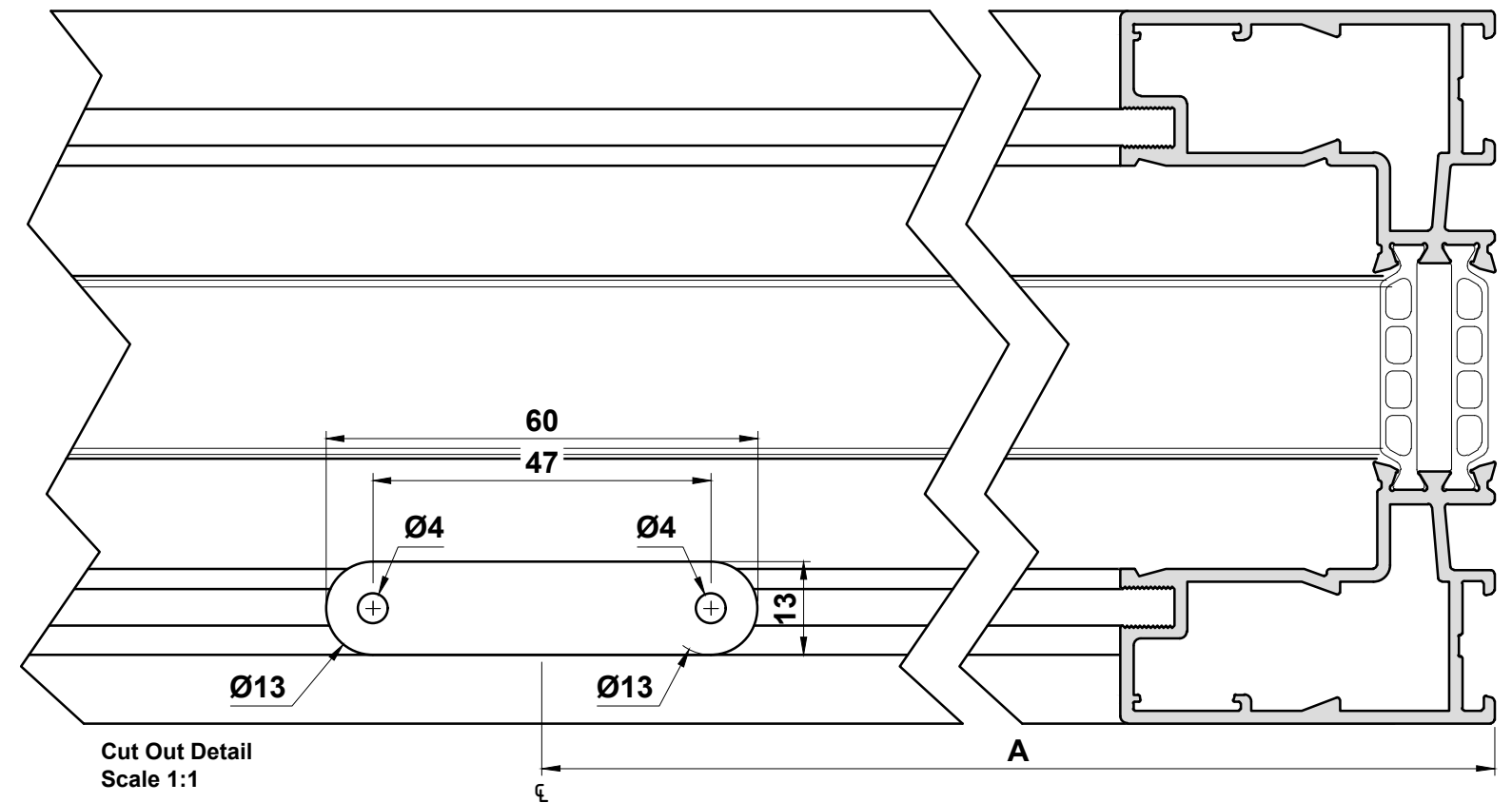
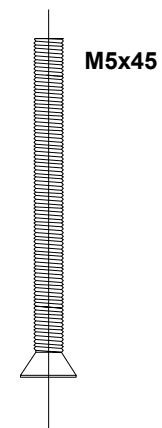
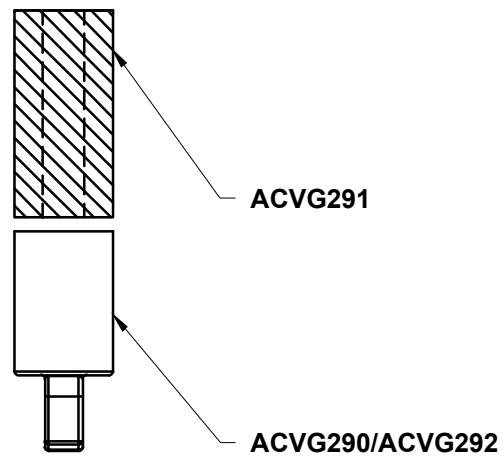
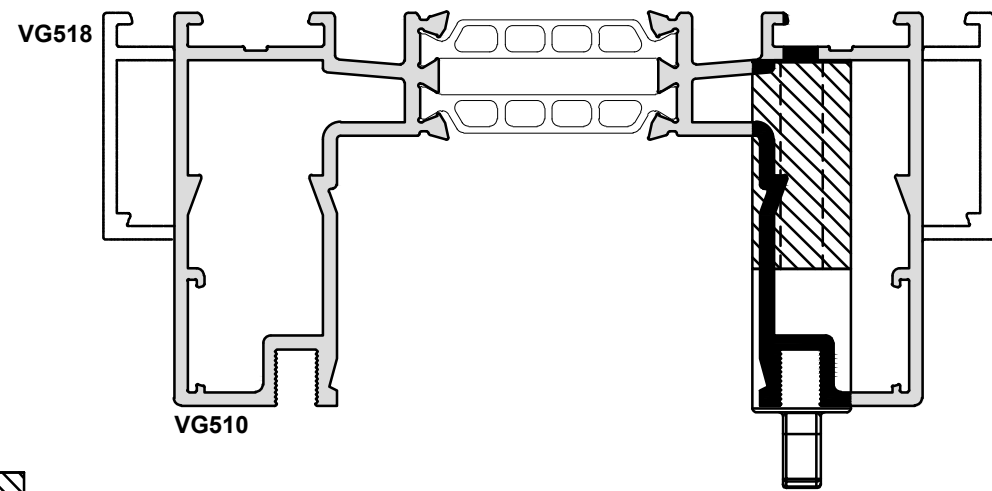
Catch Position for Hautau Soft Close Mechanism



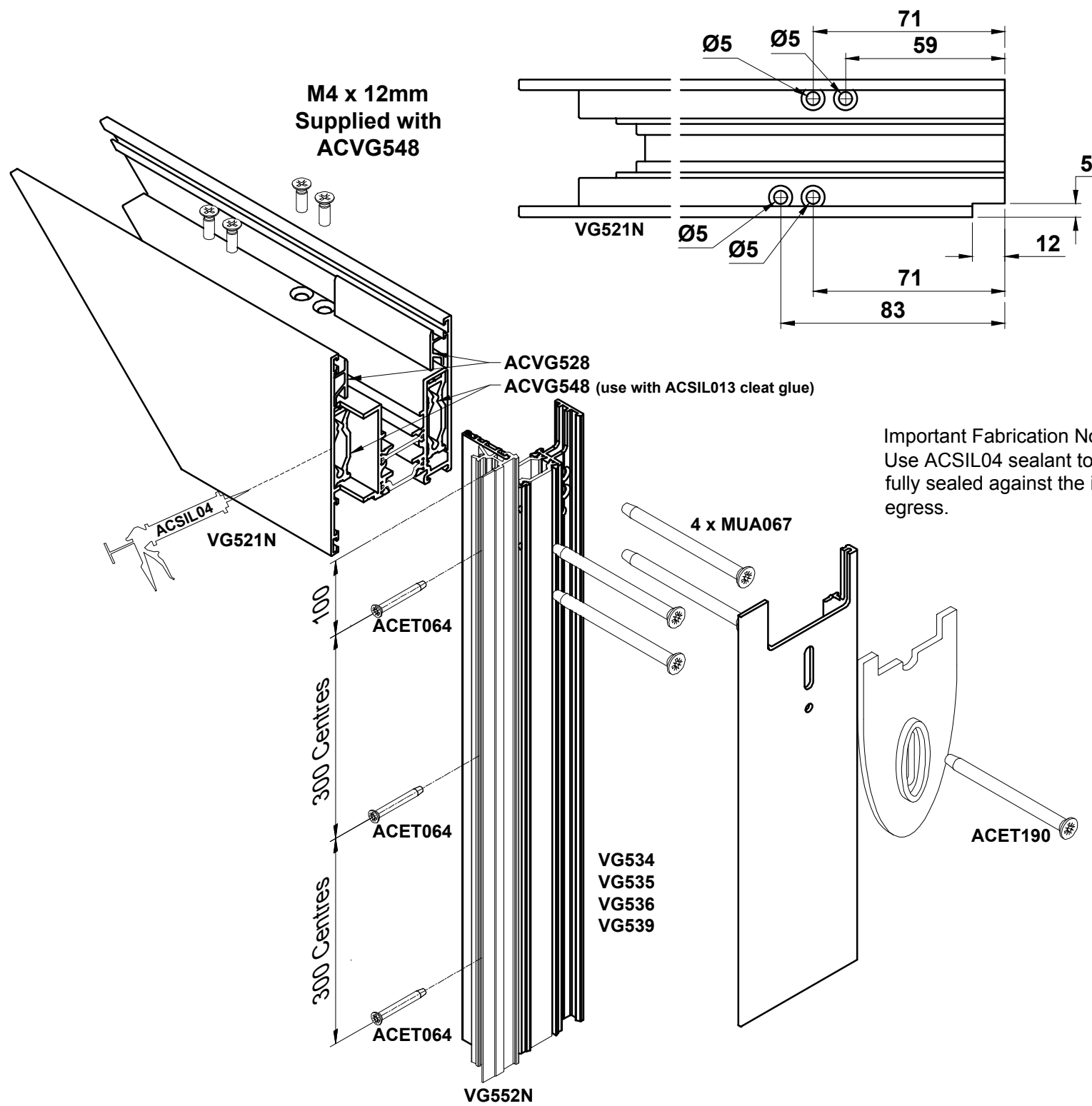
Standard interlocks: A = Sash Width - 51
Slim interlocks: A = Sash Width - 38



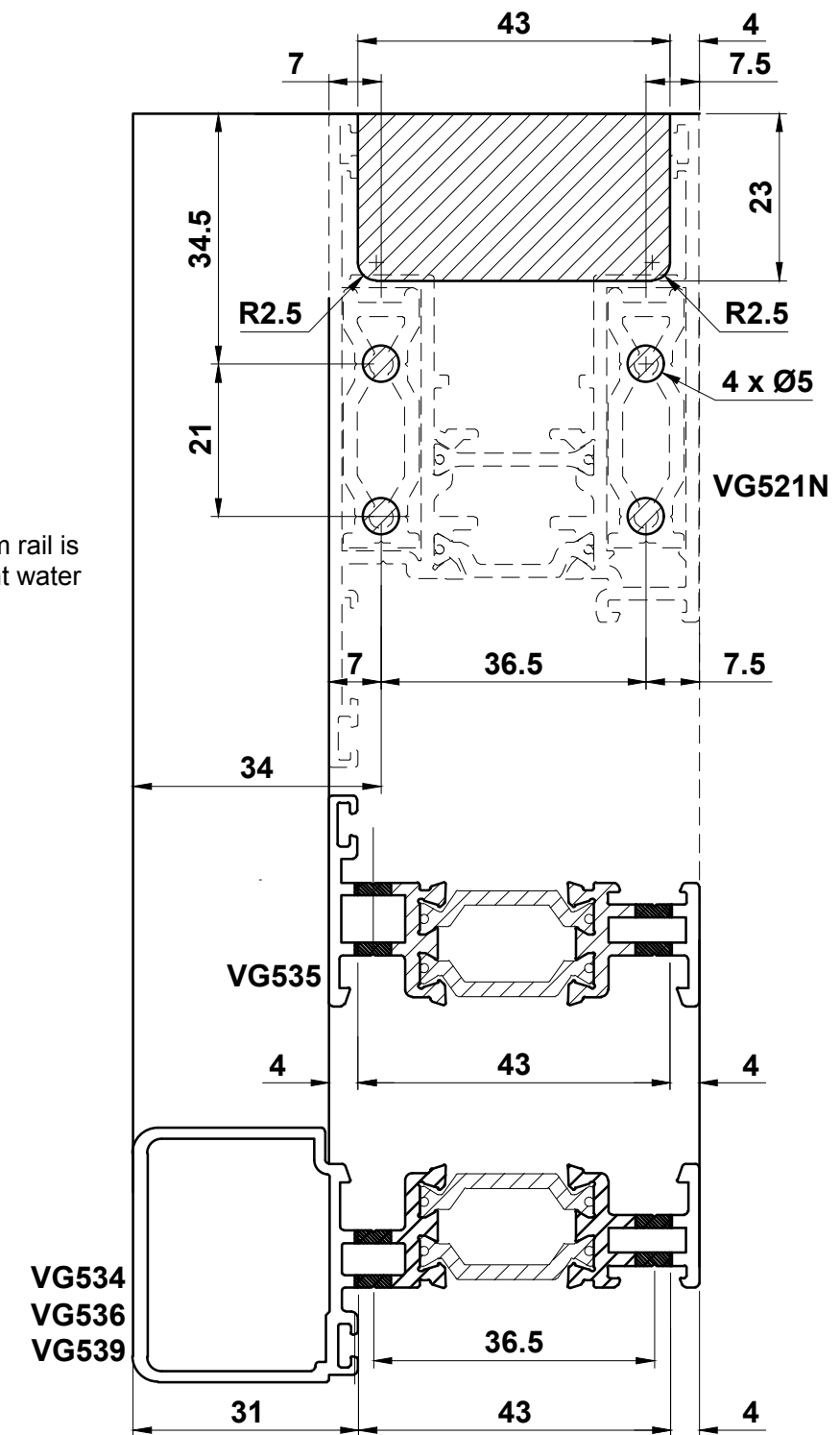
Standard interlocks: A = Sash Width - 51
Slim interlocks: A = Sash Width - 43
Standard interlocks :B = Sash Width - 90.5
Slim interlocks :B = Sash Width - 80



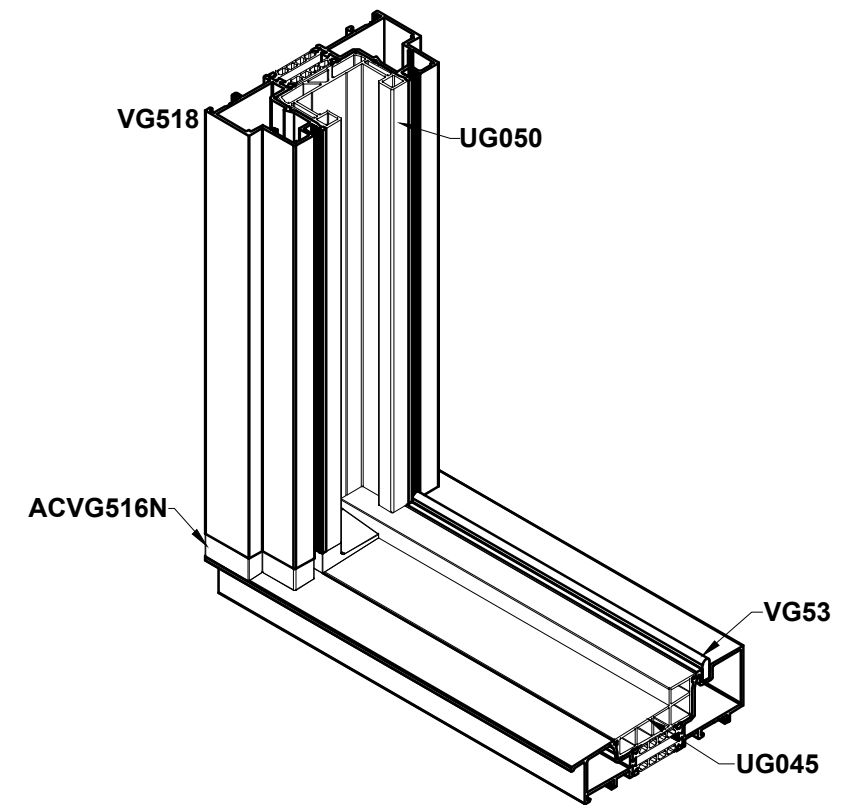
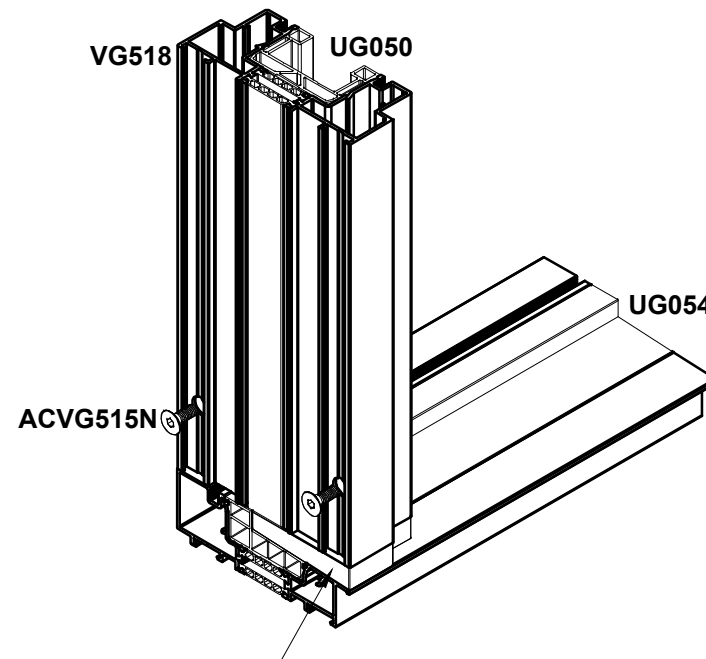
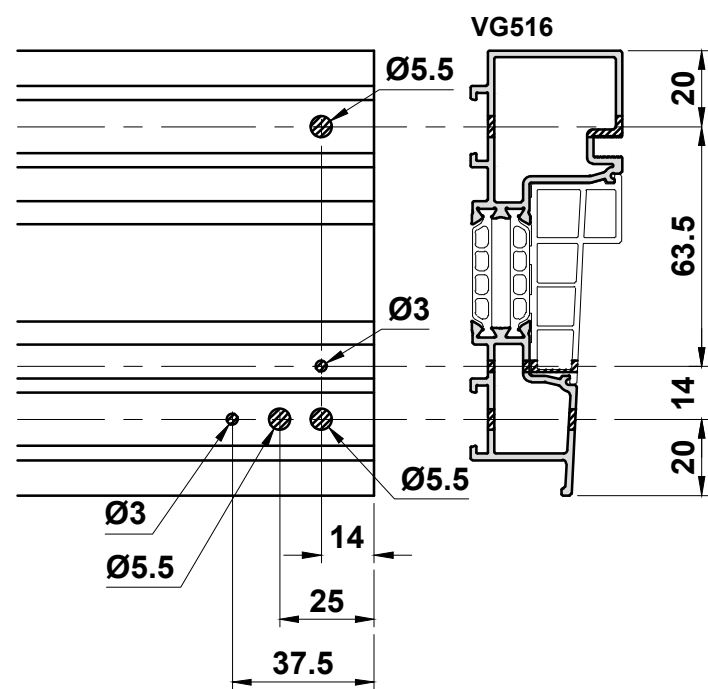
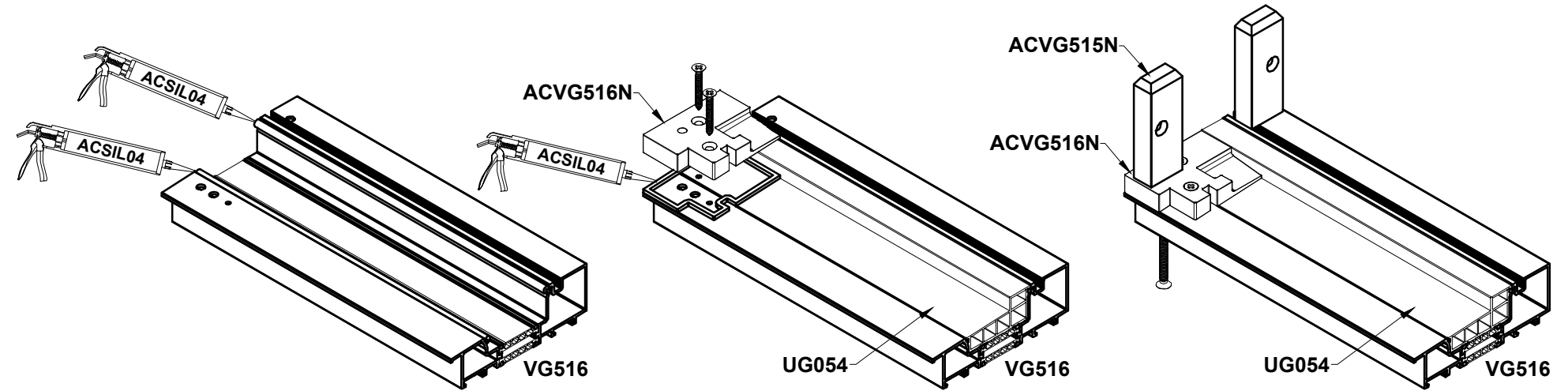
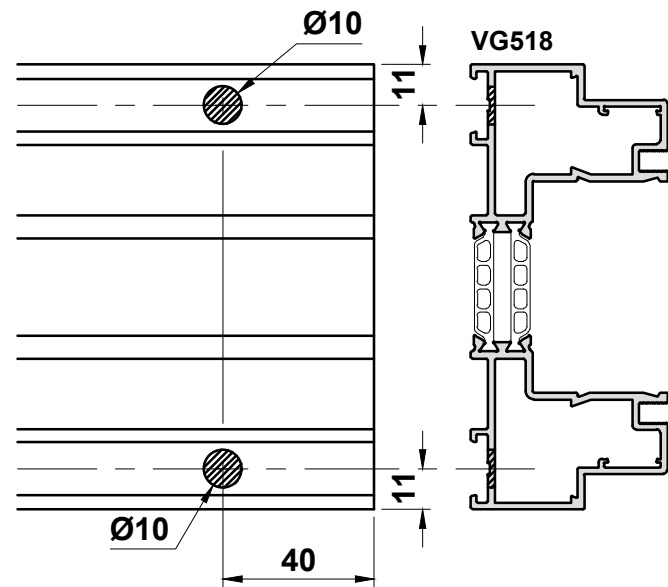
Lift & Slide Slim Interlock on Standard Track



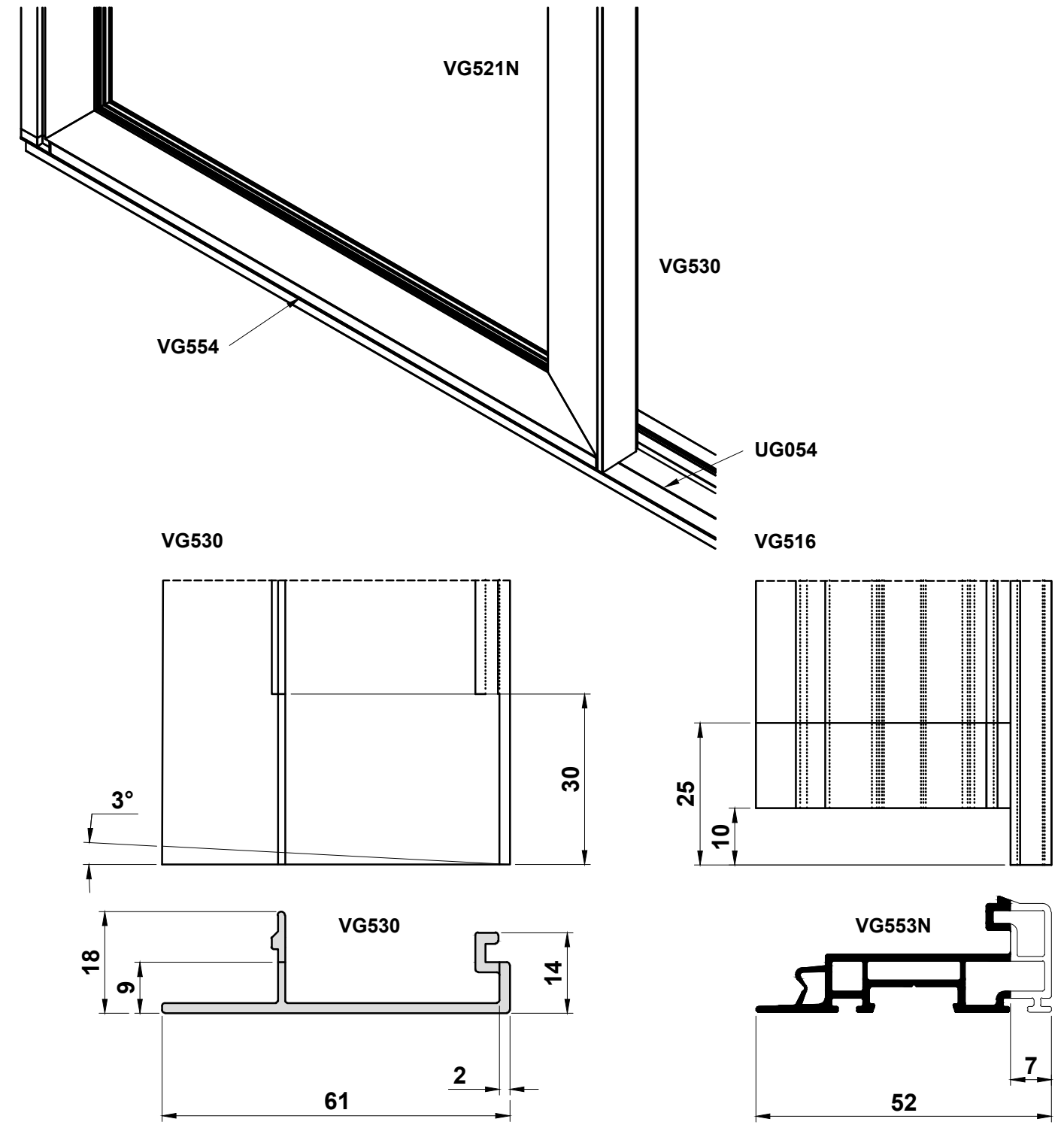
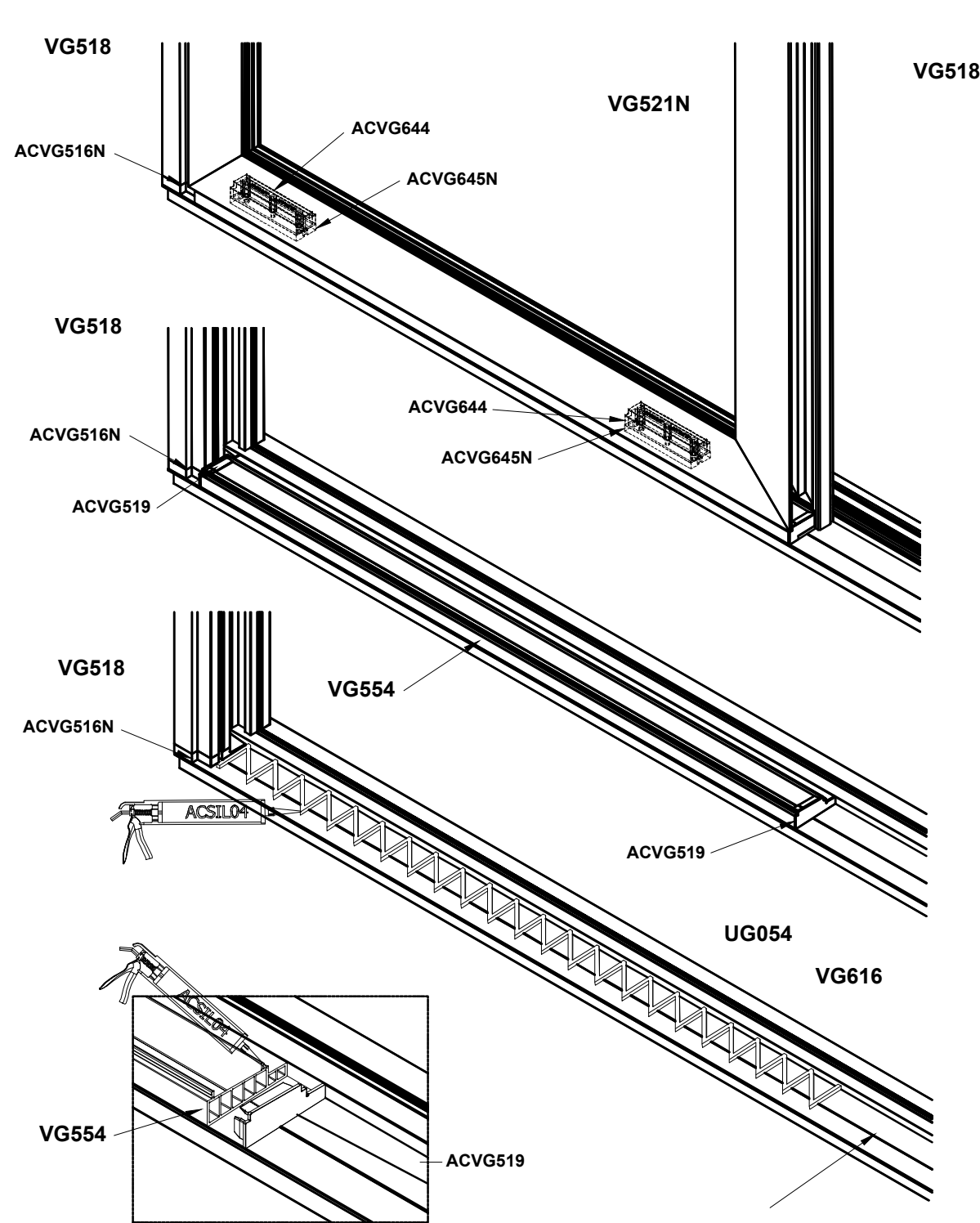
Important Fabrication Note:
Use ACSIL04 sealant to ensure the bottom rail is fully sealed against the interlock to prevent water egress.



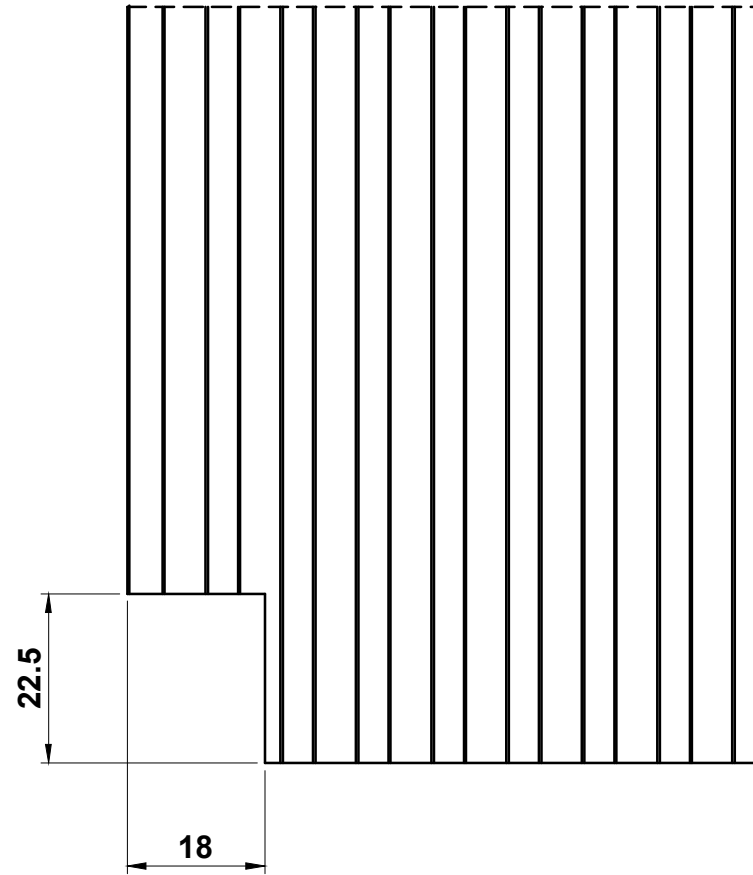
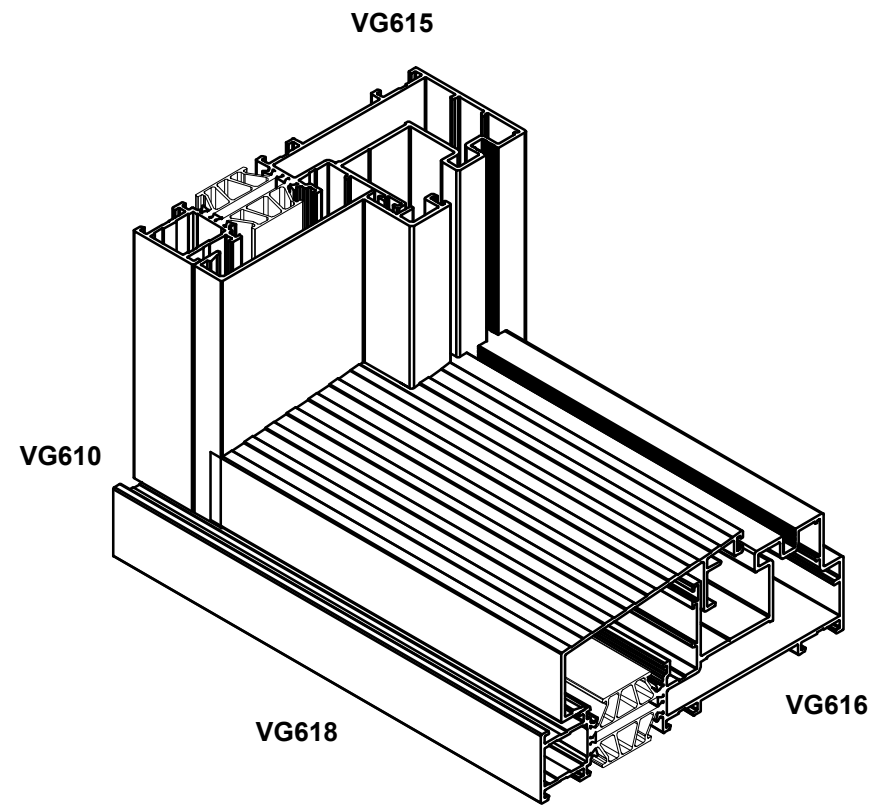
VG516 & VG518 Joint Detail



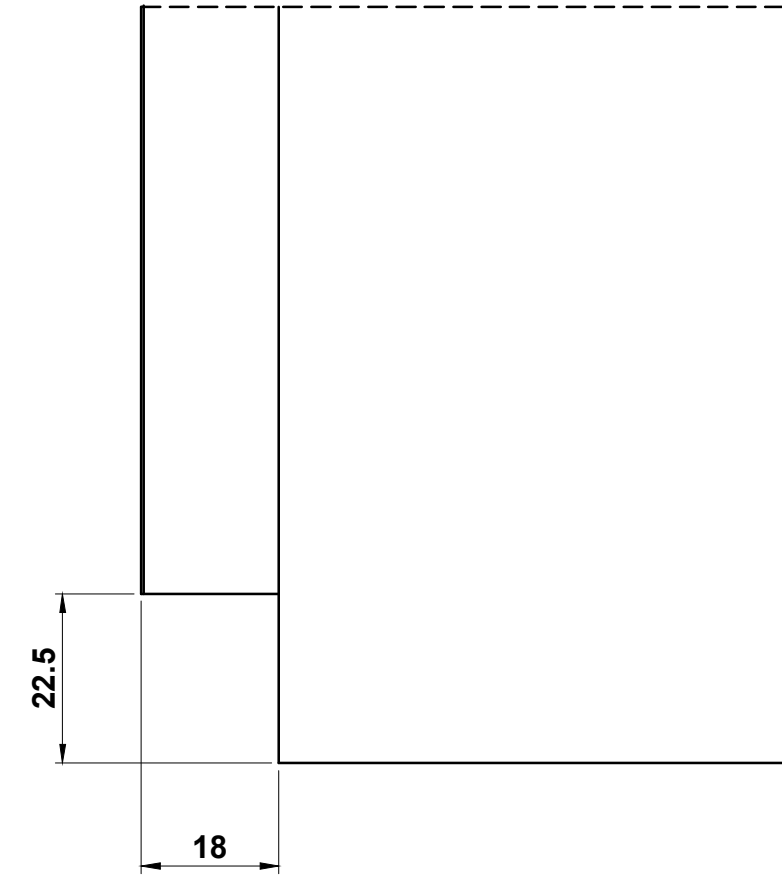
VG516 Fixed Sash Installation



Monorail Assembly

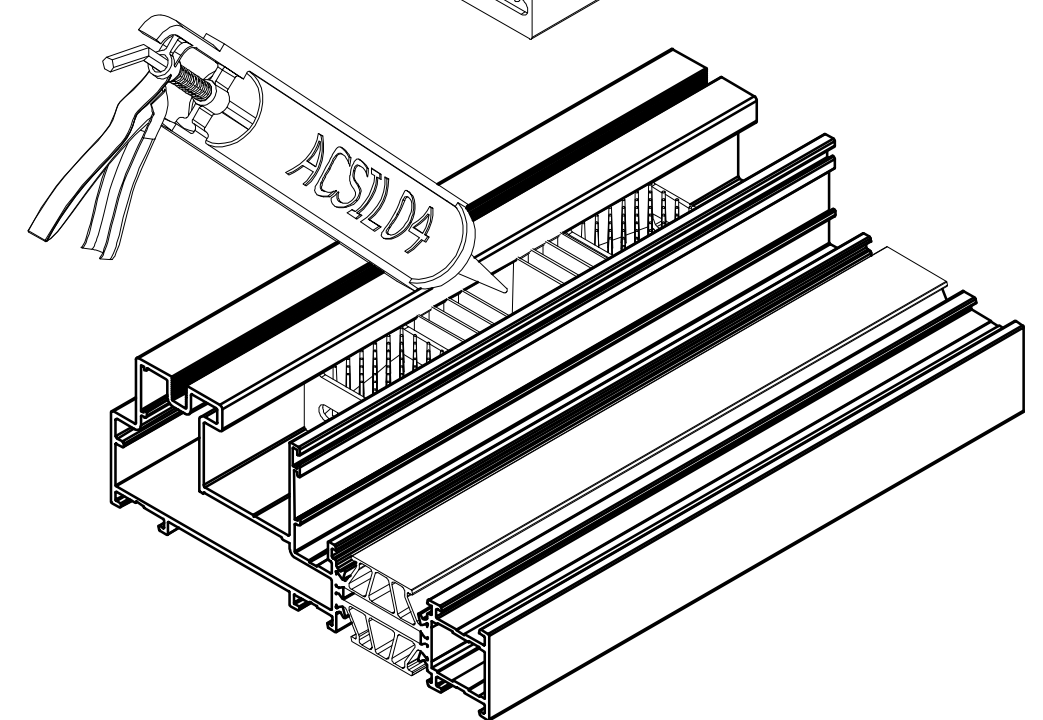
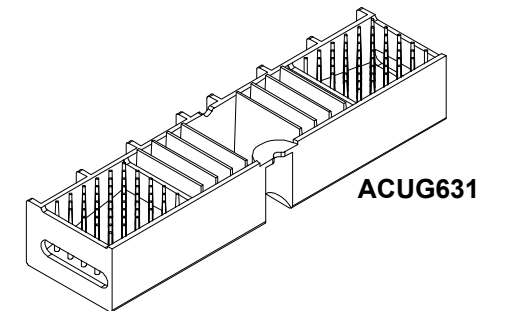
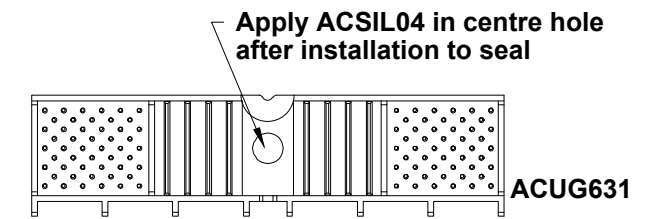
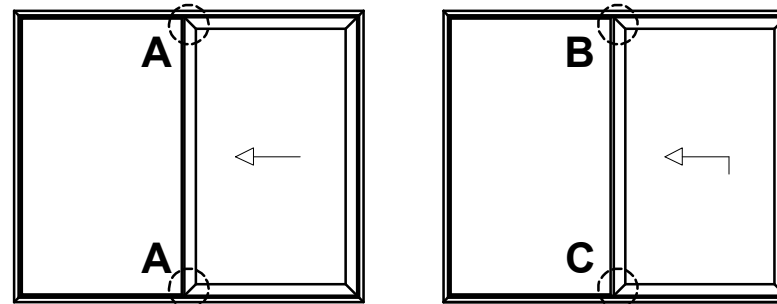
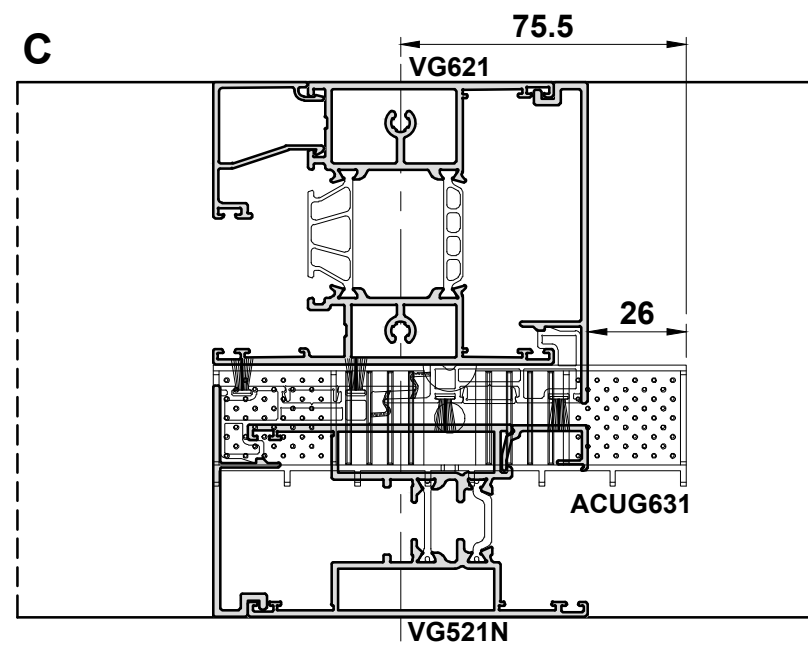
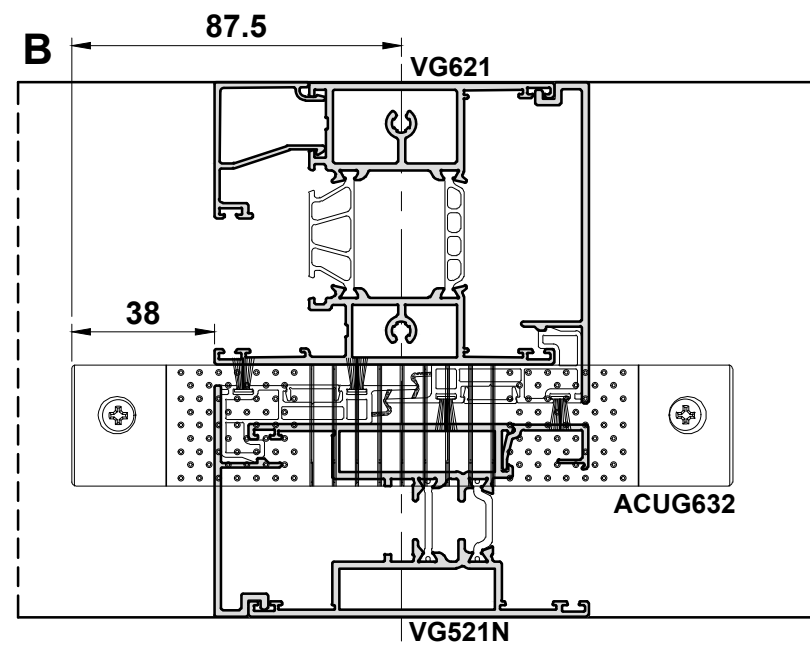
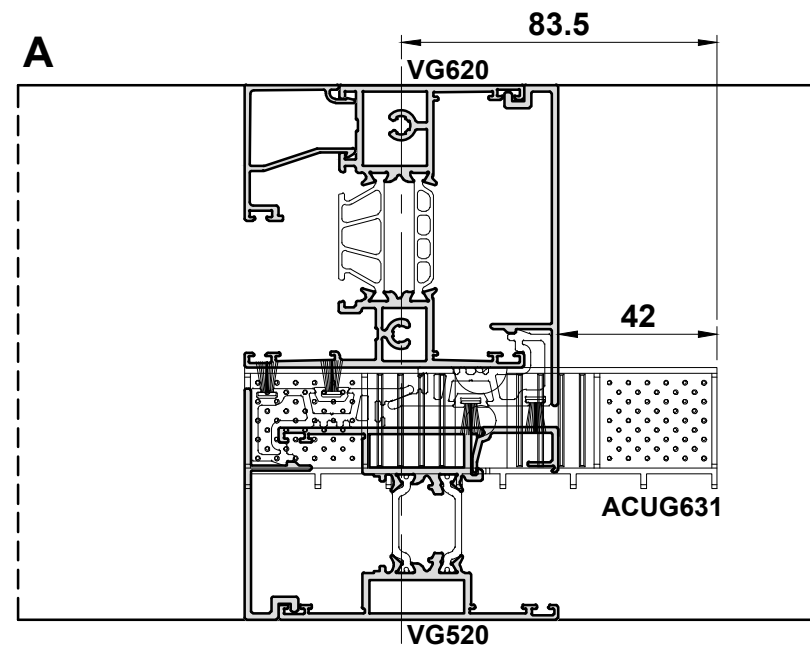


VG616



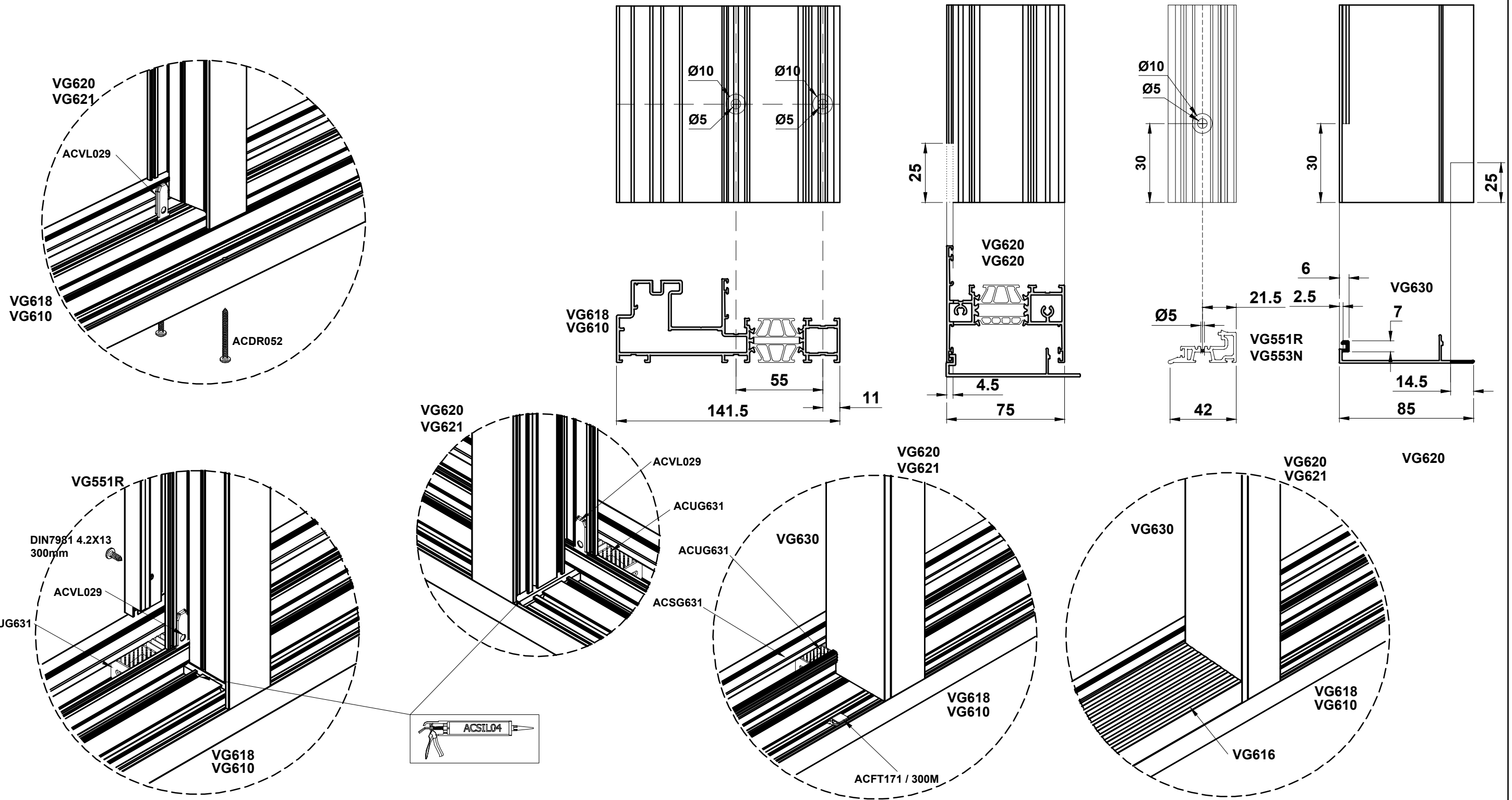
VG615

Monorail Interlock Sealing



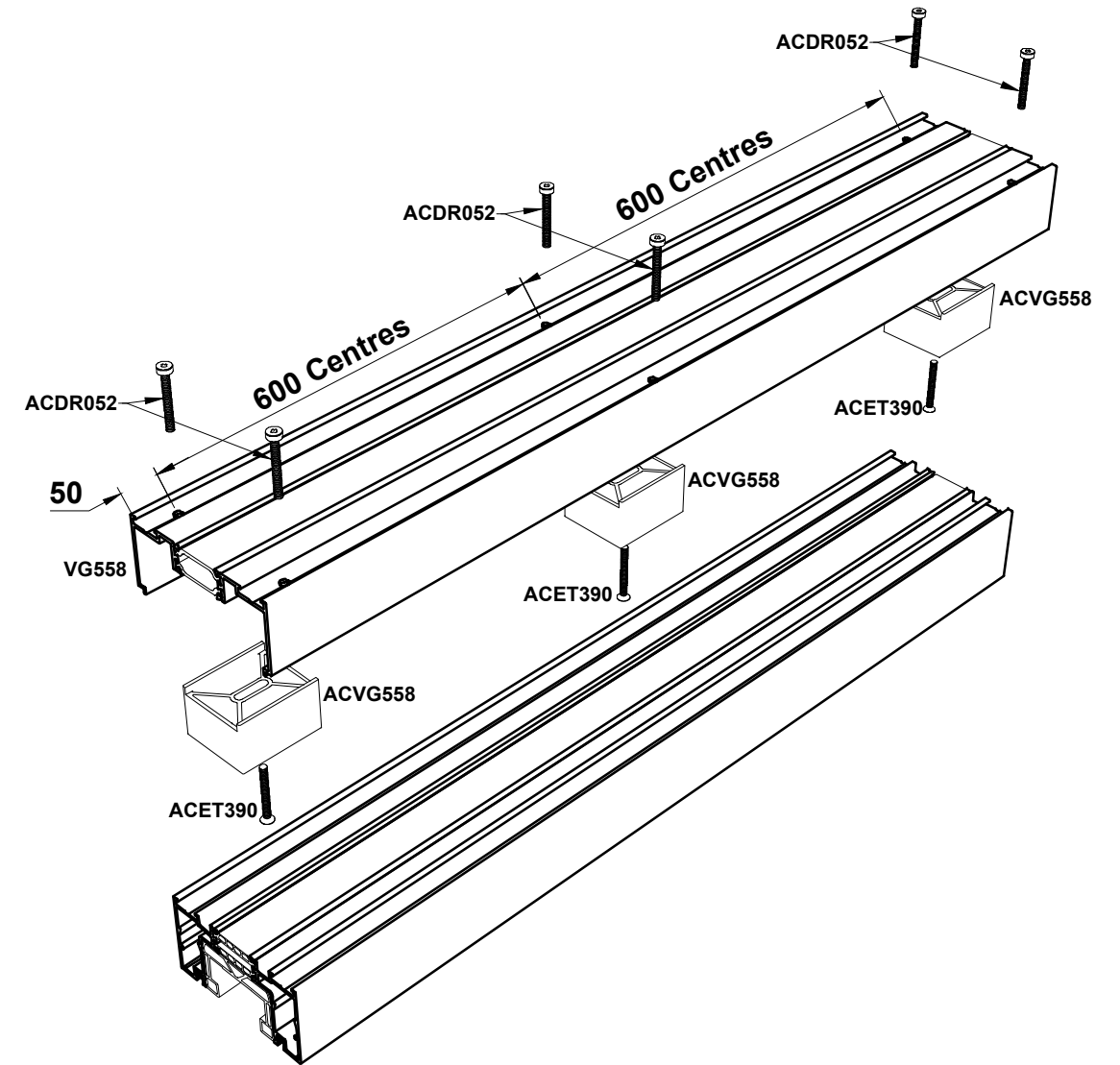
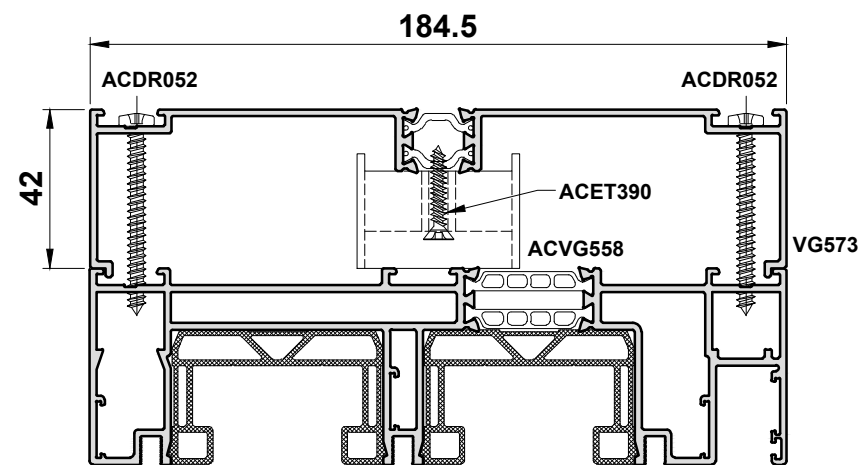
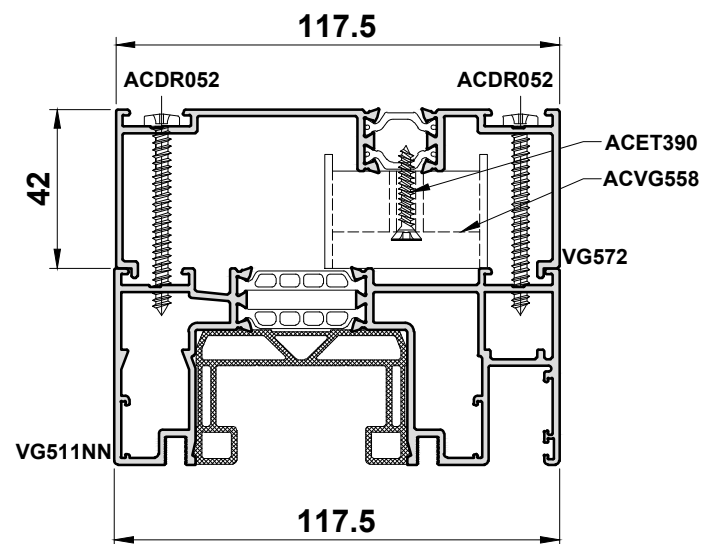
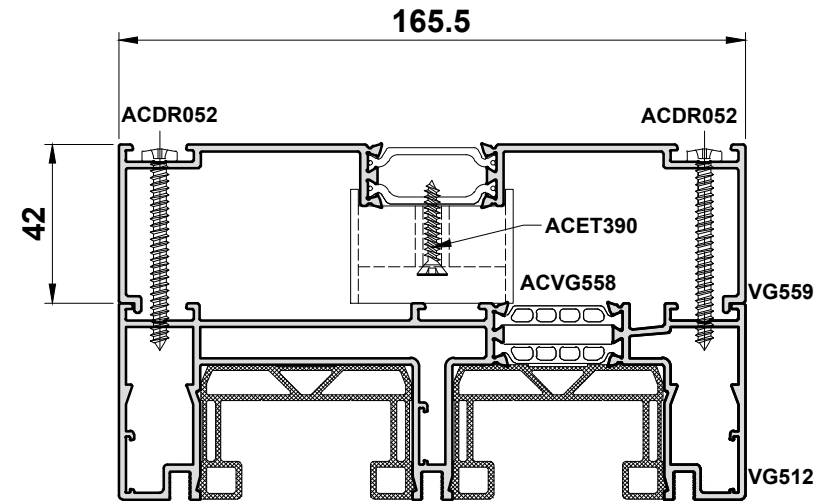
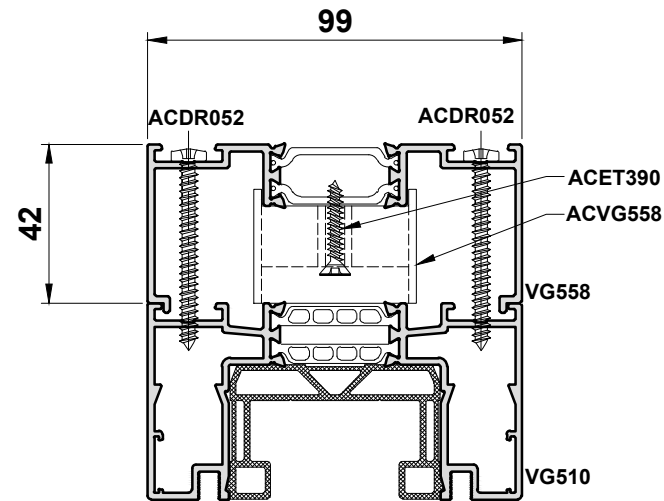
Do Not Scale From This Drawing

Monorail Assembly



Do Not Scale From This Drawing

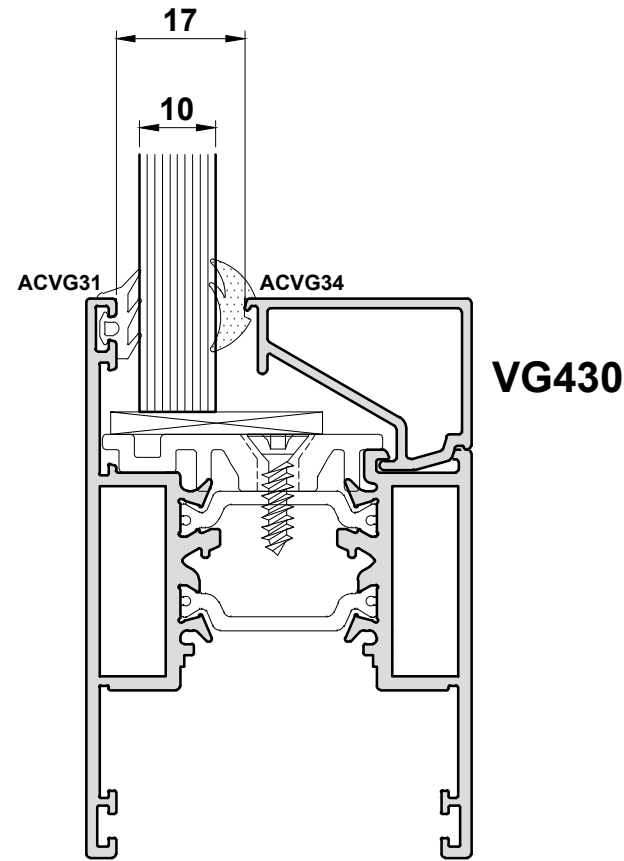
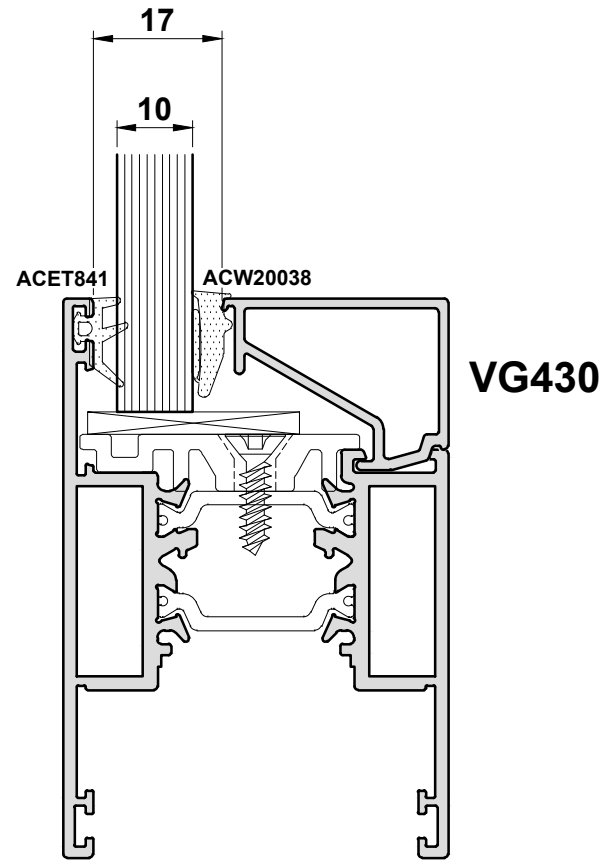
Head Extension Fitting Details



Do Not Scale From This Drawing

Glazing Options

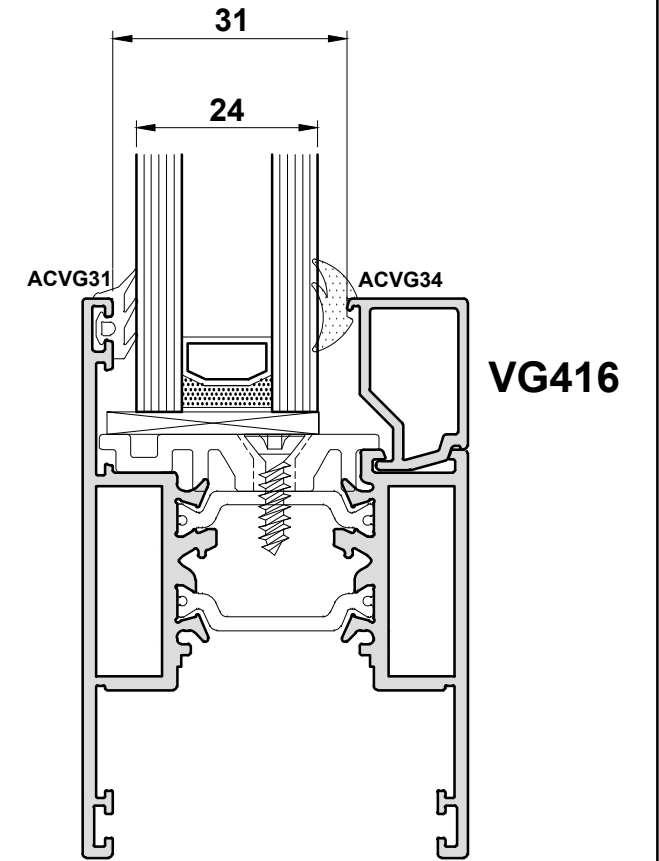
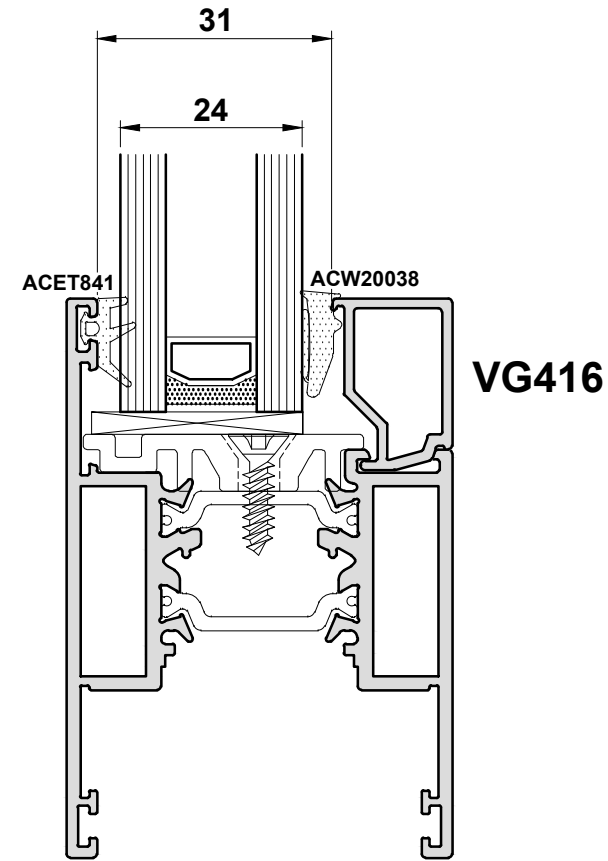
Single Glazing



Low Profile Gaskets		
Glazing Thickness	External Gasket	Internal Gasket
10	ACET841	ACW20038
11	ACET842	ACW20038
12	ACET843	ACW20038

Standard Gaskets		
Glazing Thickness	External Gasket	Internal Gasket
8	ACVG131	ACVG340
9	ACVG131	ACVG34
10	ACVG31	ACVG34
11	ACVG231	ACVG34
12	ACVG231	ACVG33

24-26mm Glazing



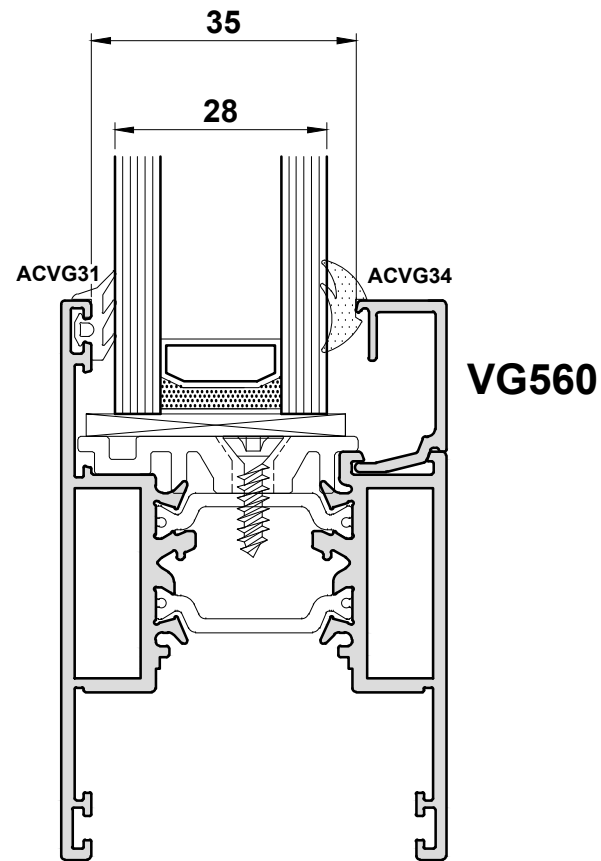
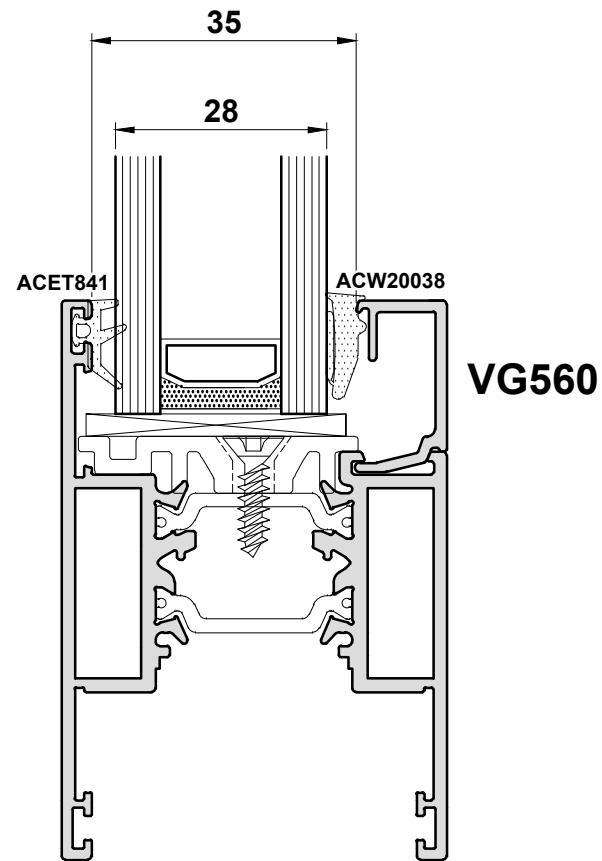
Low Profile Gaskets		
Glazing Thickness	External Gasket	Internal Gasket
24	ACET841	ACW20038
25	ACET842	ACW20038
26	ACET843	ACW20038

Standard Gaskets		
Glazing Thickness	External Gasket	Internal Gasket
24	ACVG31	ACVG34
25	ACVG231	ACVG34
26	ACVG231	ACVG33

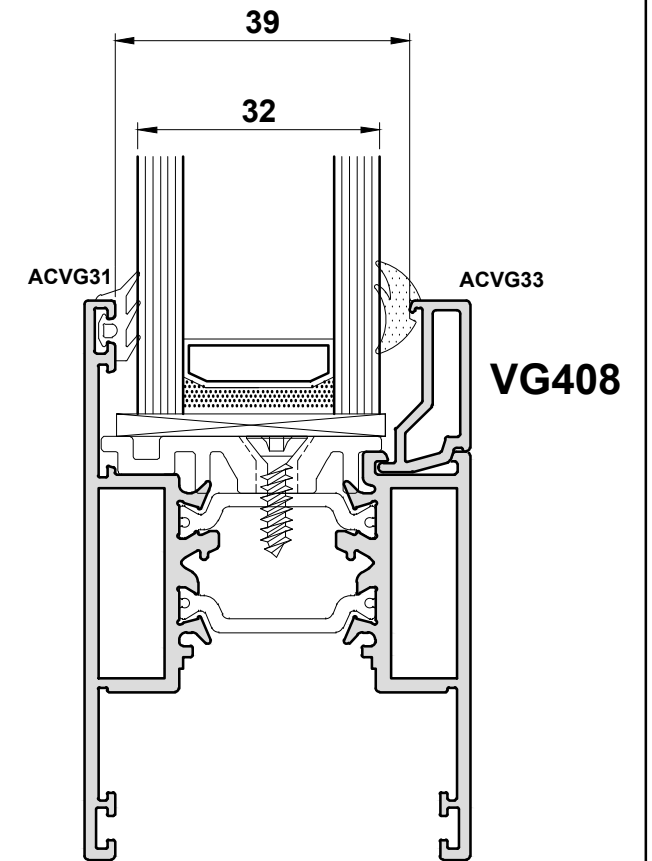
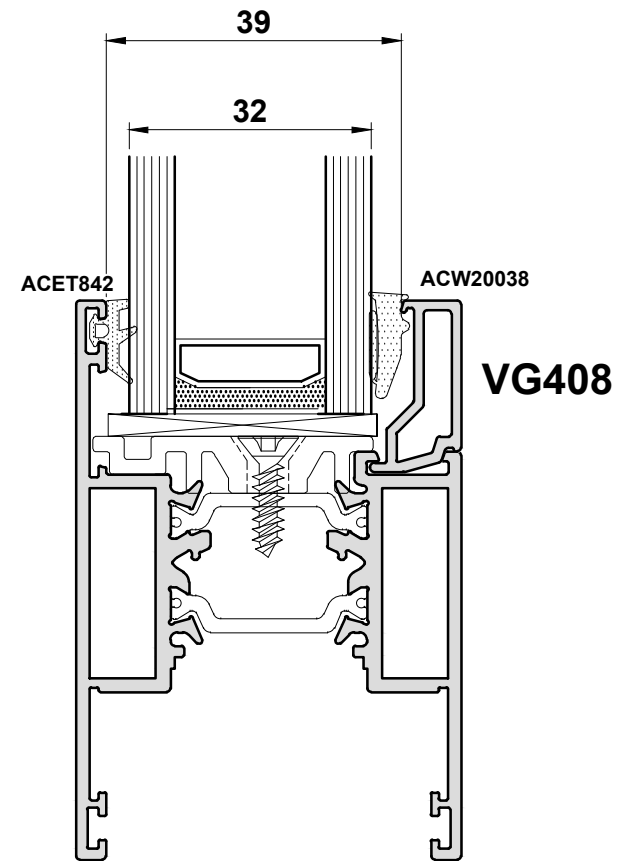
Do Not Scale From This Drawing

Glazing Options

28-30mm Glazing



30-32mm Glazing



Low Profile Gaskets		
Glazing Thickness	External Gasket	Internal Gasket
28	ACET841	ACW20038
29	ACET842	ACW20038
30	ACET843	ACW20038

Standard Gaskets		
Glazing Thickness	External Gasket	Internal Gasket
28	ACVG31	ACVG34
29	ACVG231	ACVG34
30	ACVG231	ACVG33

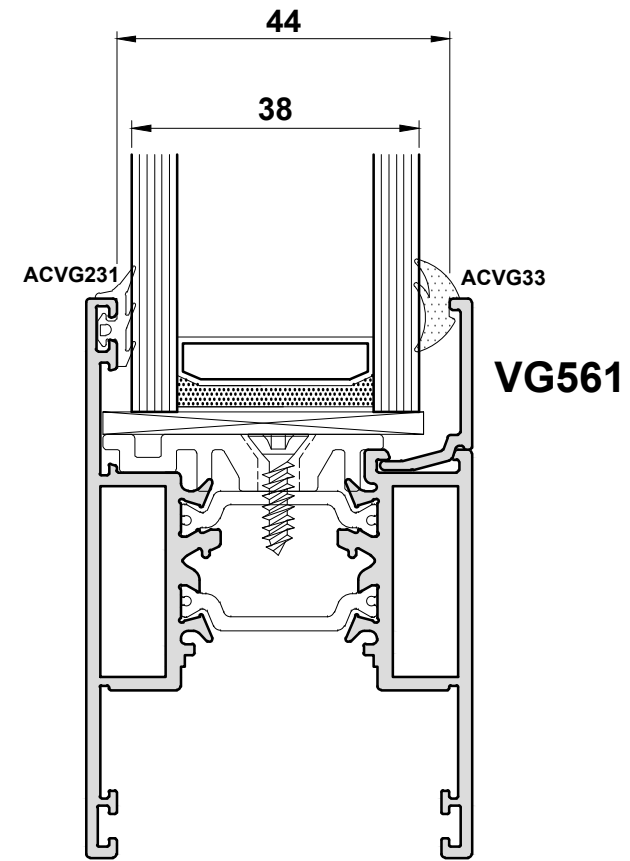
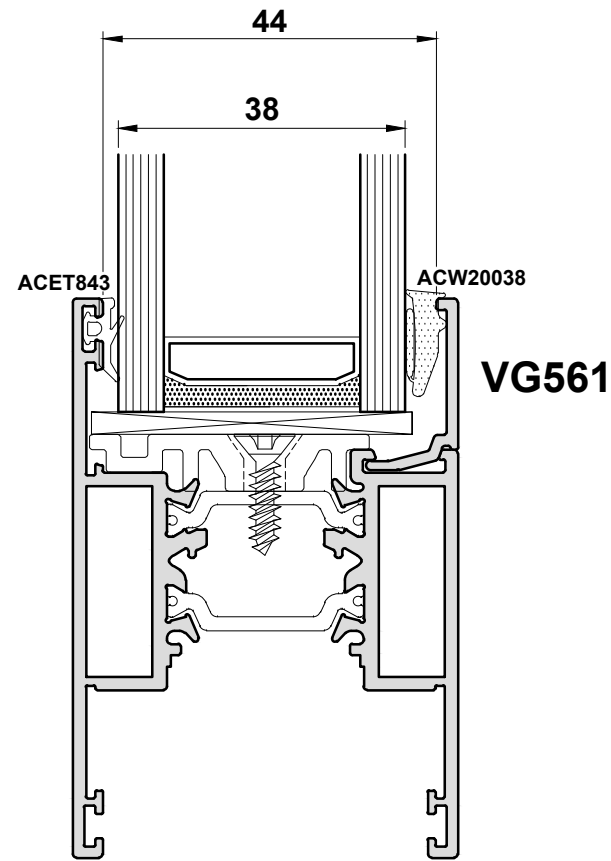
Low Profile Gaskets		
Glazing Thickness	External Gasket	Internal Gasket
30	ACET840	ACW20038
31	ACET841	ACW20038
32	ACET842	ACW20038

Standard Gaskets		
Glazing Thickness	External Gasket	Internal Gasket
30	ACVG131	ACVG34
31	ACVG31	ACVG34
32	ACVG31	ACVG33

Do Not Scale From This Drawing

Glazing Options

36-38mm Glazing



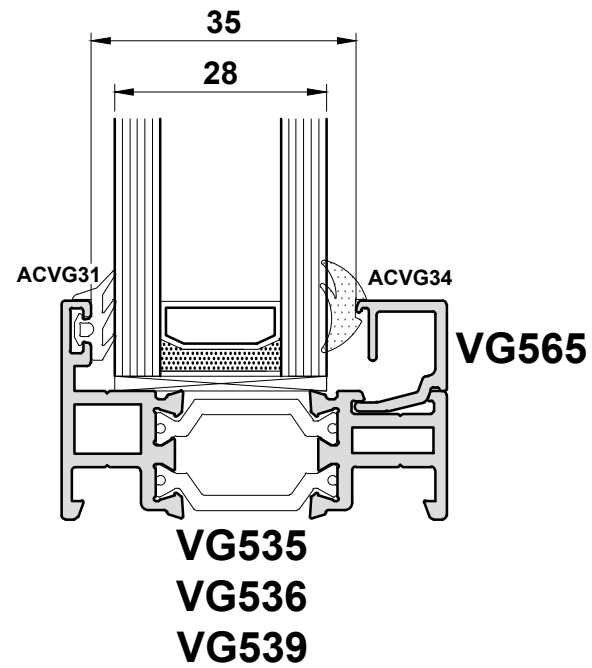
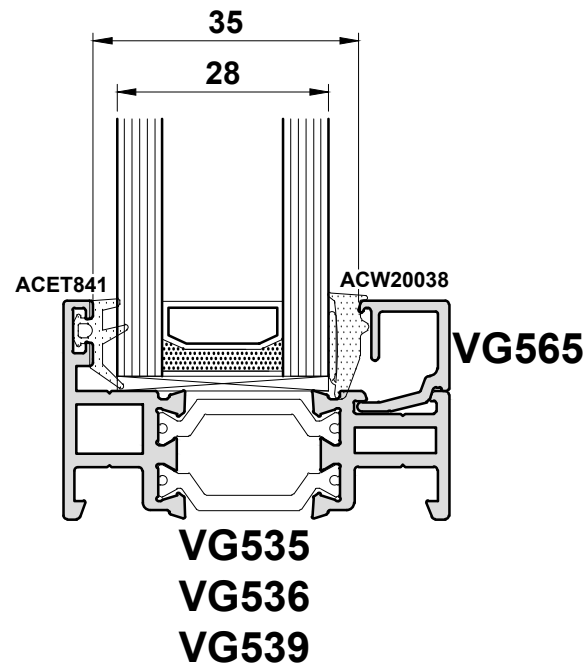
Low Profile Gaskets		
Glazing Thickness	External Gasket	Internal Gasket
36	ACET841	ACW20038
37	ACET842	ACW20038
38	ACET843	ACW20038

Standard Gaskets		
Glazing Thickness	External Gasket	Internal Gasket
36	ACVG31	ACVG34
37	ACVG231	ACVG34
38	ACVG231	ACVG33

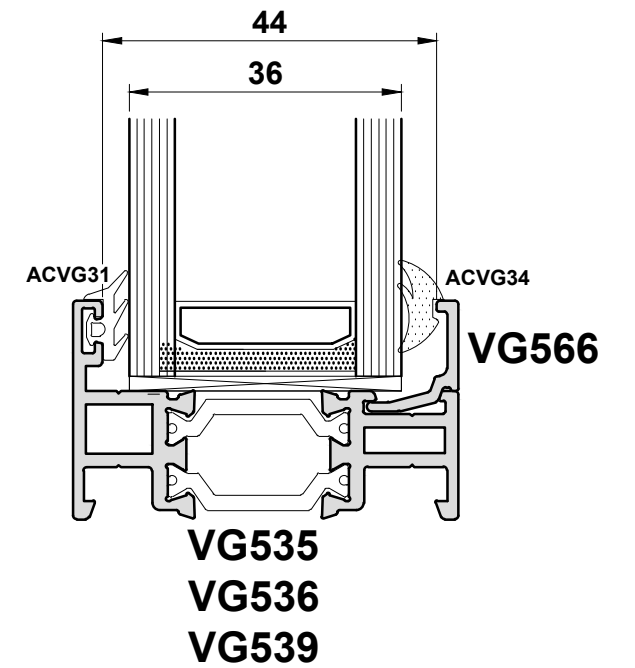
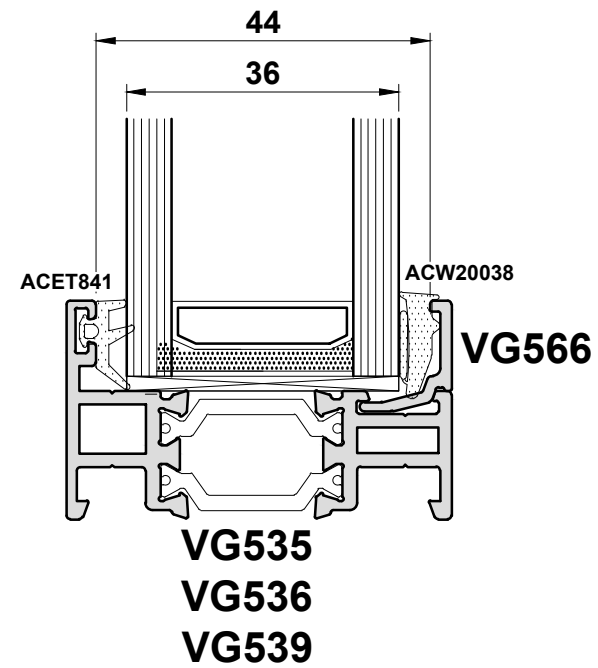
Do Not Scale From This Drawing

Glazing Options

28-30mm Glazing



36-38mm Glazing



Low Profile Gaskets		
Glazing Thickness	External Gasket	Internal Gasket
28	ACET841	ACW20038
29	ACET842	ACW20038
30	ACET843	ACW20038

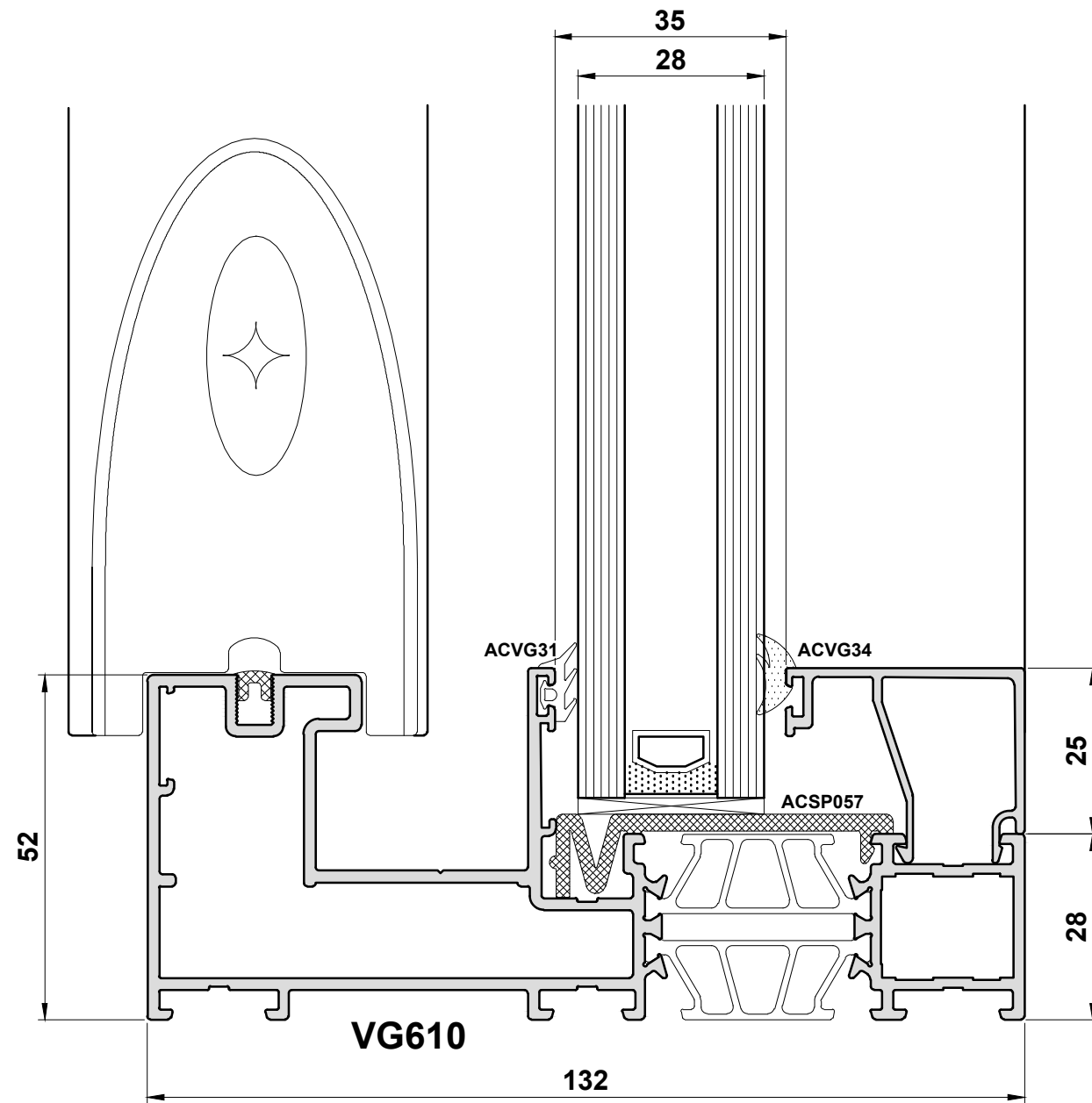
Standard Gaskets		
Glazing Thickness	External Gasket	Internal Gasket
28	ACVG31	ACVG34
29	ACVG231	ACVG34
30	ACVG231	ACVG33

Low Profile Gaskets		
Glazing Thickness	External Gasket	Internal Gasket
36	ACET841	ACW20038
37	ACET842	ACW20038
38	ACET843	ACW20038

Standard Gaskets		
Glazing Thickness	External Gasket	Internal Gasket
36	ACVG31	ACVG34
37	ACVG231	ACVG34
38	ACVG231	ACVG33

Do Not Scale From This Drawing

Glazing Options

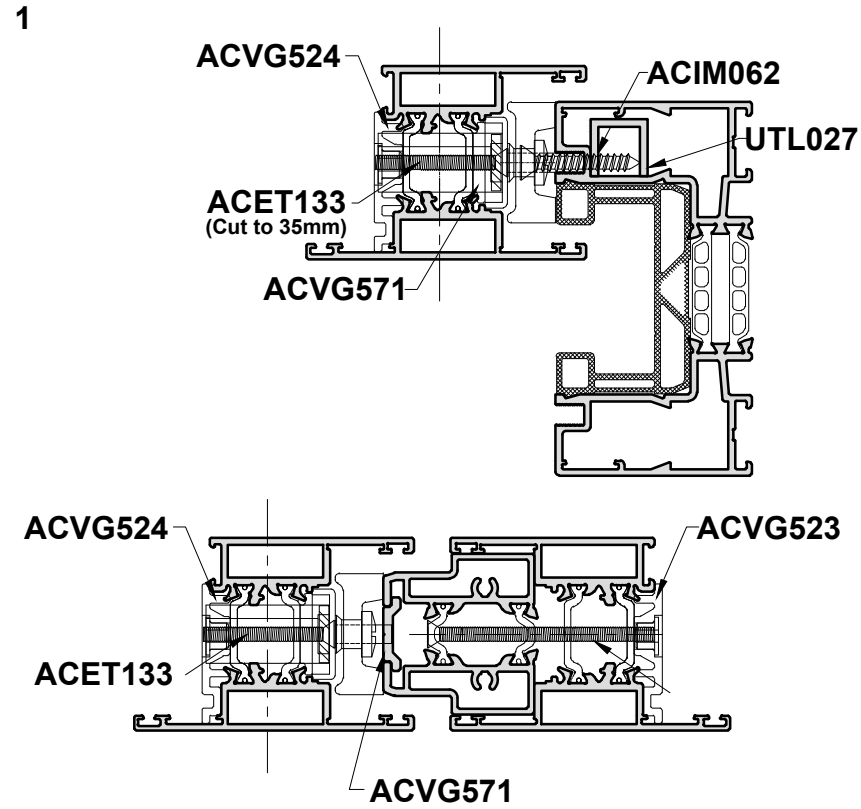


Standard Gaskets			
Glazing Thickness	Bead	External Gasket	Internal Gasket
24	GL740	ACVG31	ACVG34
25	GL740	ACVG231	ACVG34
26	GL740	ACVG231	ACVG33
28	GL736	ACVG31	ACVG34
29	GL736	ACVG231	ACVG34
30	GL736	ACVG231	ACVG33
32	GL732	ACVG31	ACVG34
33	GL732	ACVG231	ACVG34
34	GL732	ACVG231	ACVG33
36	GL728	ACVG231	ACVG34
37	GL728	ACVG231	ACVG33
38	GL724	ACVG131	ACVG34
39	GL724	ACVG31	ACVG34
40	GL724	ACVG231	ACVG34

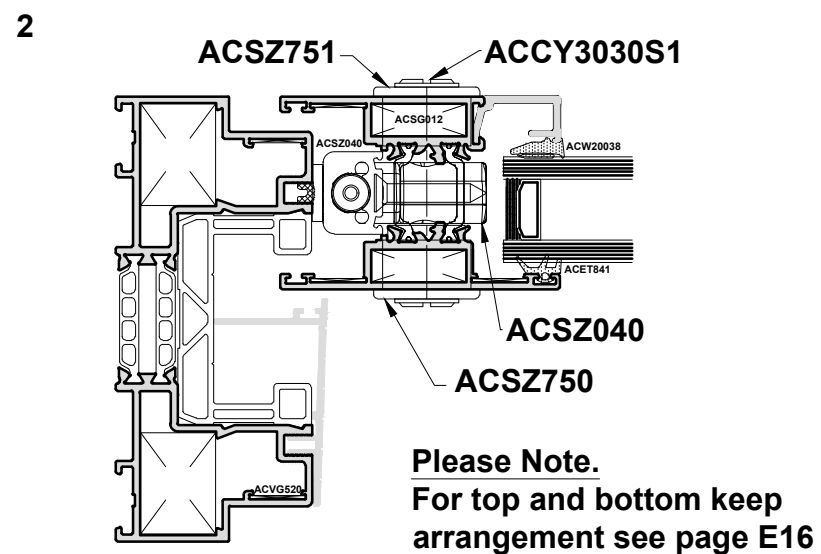
Do Not Scale From This Drawing

PAS24:2012 Overview

Lock & Keep Fixing Details for Multi Point Lock

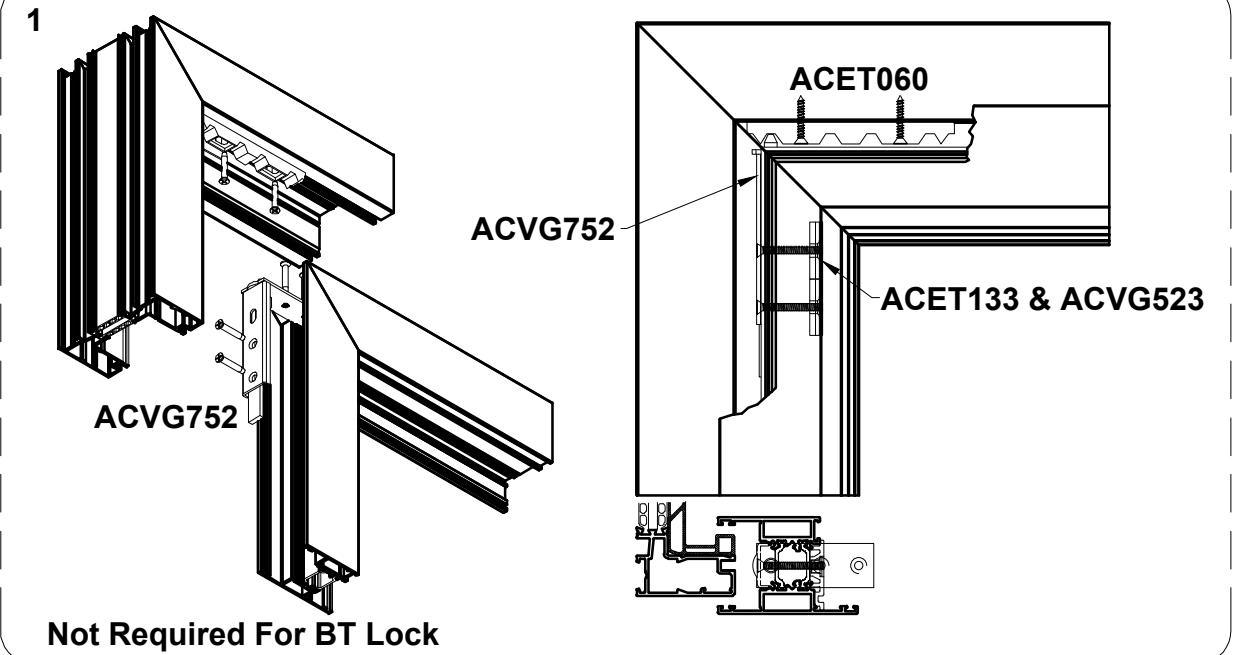


Lock Fixing Details for BT Lock



The details on this page show the specific hardware required to achieve PAS24:2012. Hardware not shown is standard.

ACVG752 to Top & Bottom



Multi-Point Locking Hardware

1

SASH HEIGHT	LOCKS	KEEPS	
		FULL HEIGHT KEEP	FULL HEIGHT KEEP + 600mm
2024 - 2223	ACSZ024	ACSZ122	ACSZ124
1824 - 2023	ACSZ025	ACSZ126	ACSZ128
2224 - 2423	ACSZ026	ACSZ130	ACSZ132

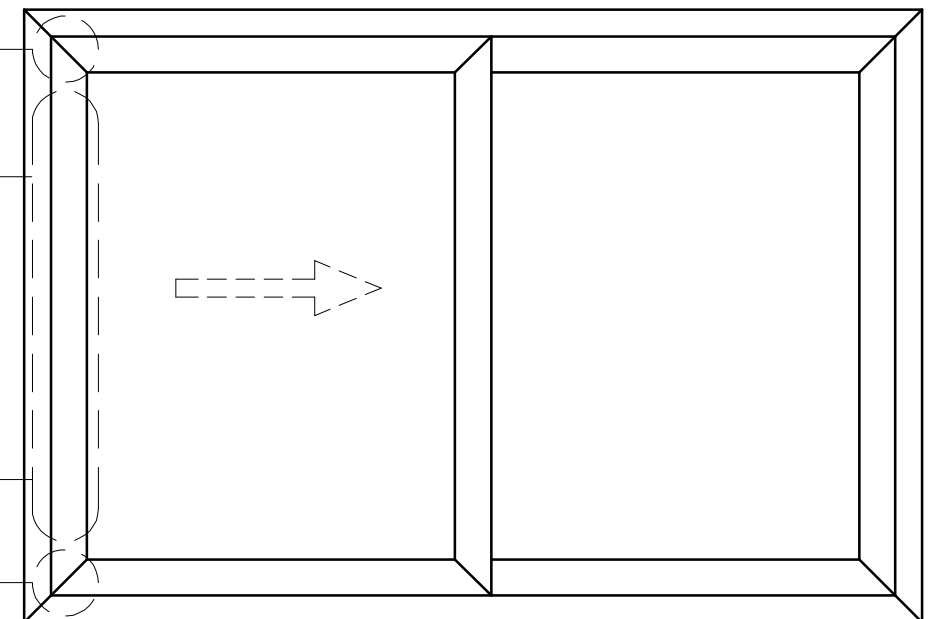
EXT.	INT.			3 x
ACSZ882	ACSZ883	ACMX209	ACIM442	ACET237

BT Locking Hardware

2

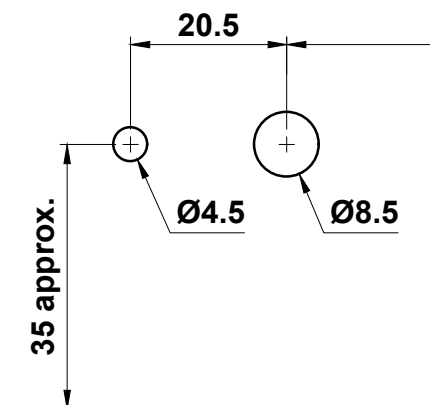
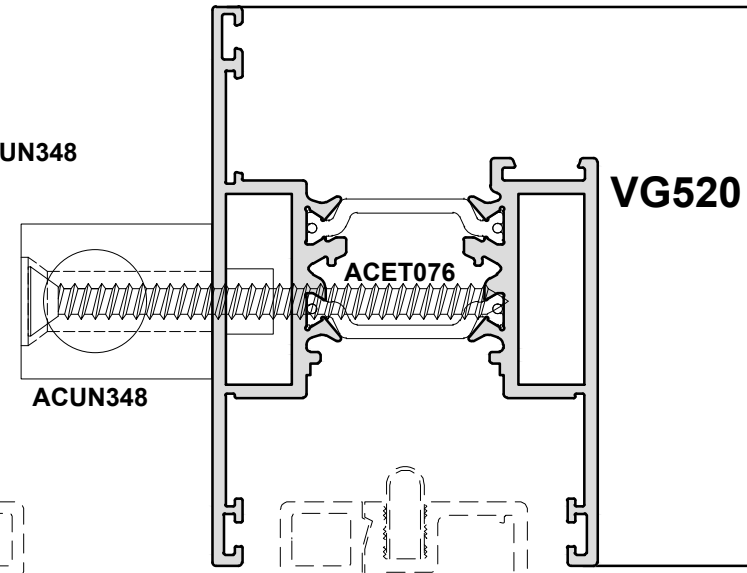
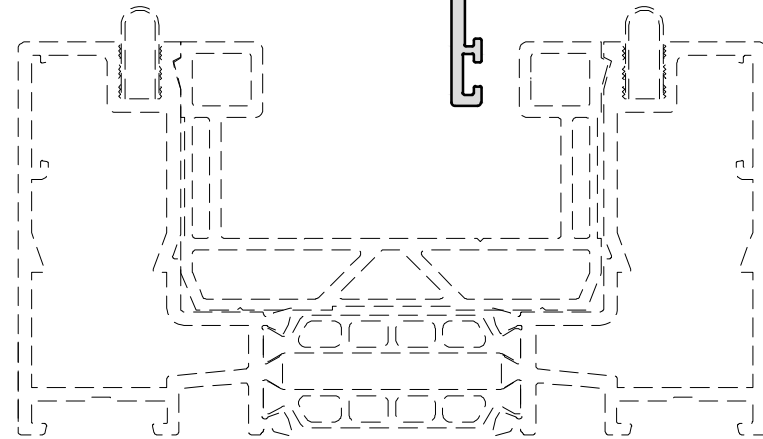
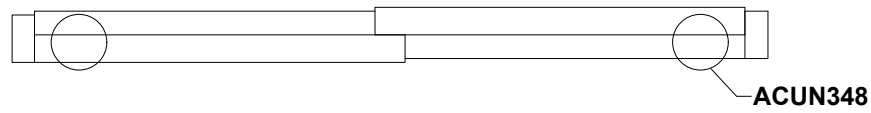
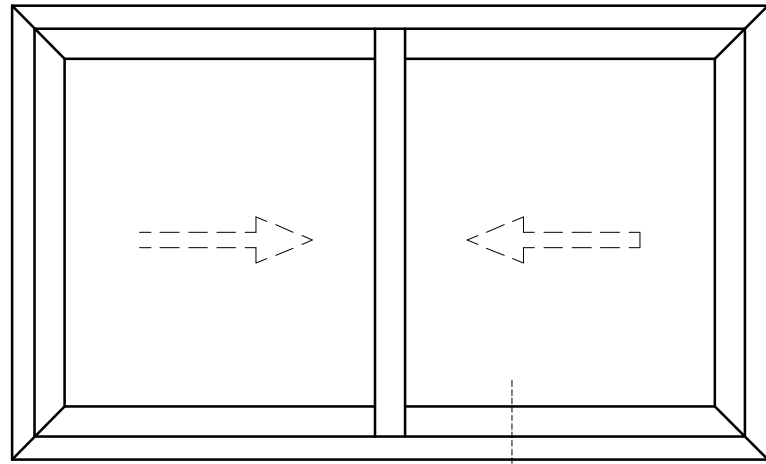
SASH HEIGHT	LOCKS	KEEPS
≤ 2366mm	ACSZ040	ACSZ046
≤ 2766mm	ACSZ041	ACSZ046
≤ 3166mm*	ACSZ042	ACSZ046

ACSZ400	Or...	EXT.	INT.	
		ACSZ750	ACSZ751	ACCY3030SI

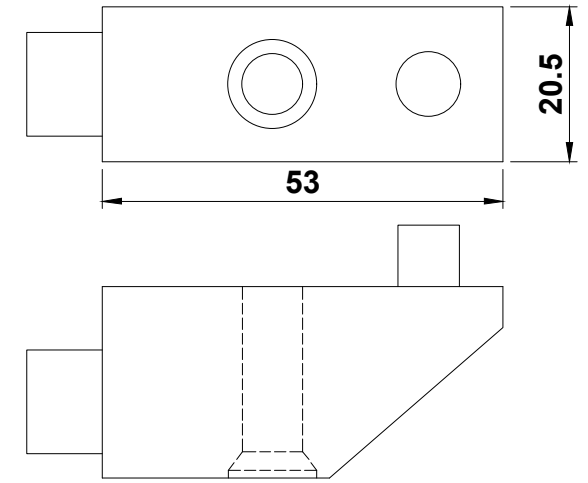


Do Not Scale From This Drawing

ACUN348 Location

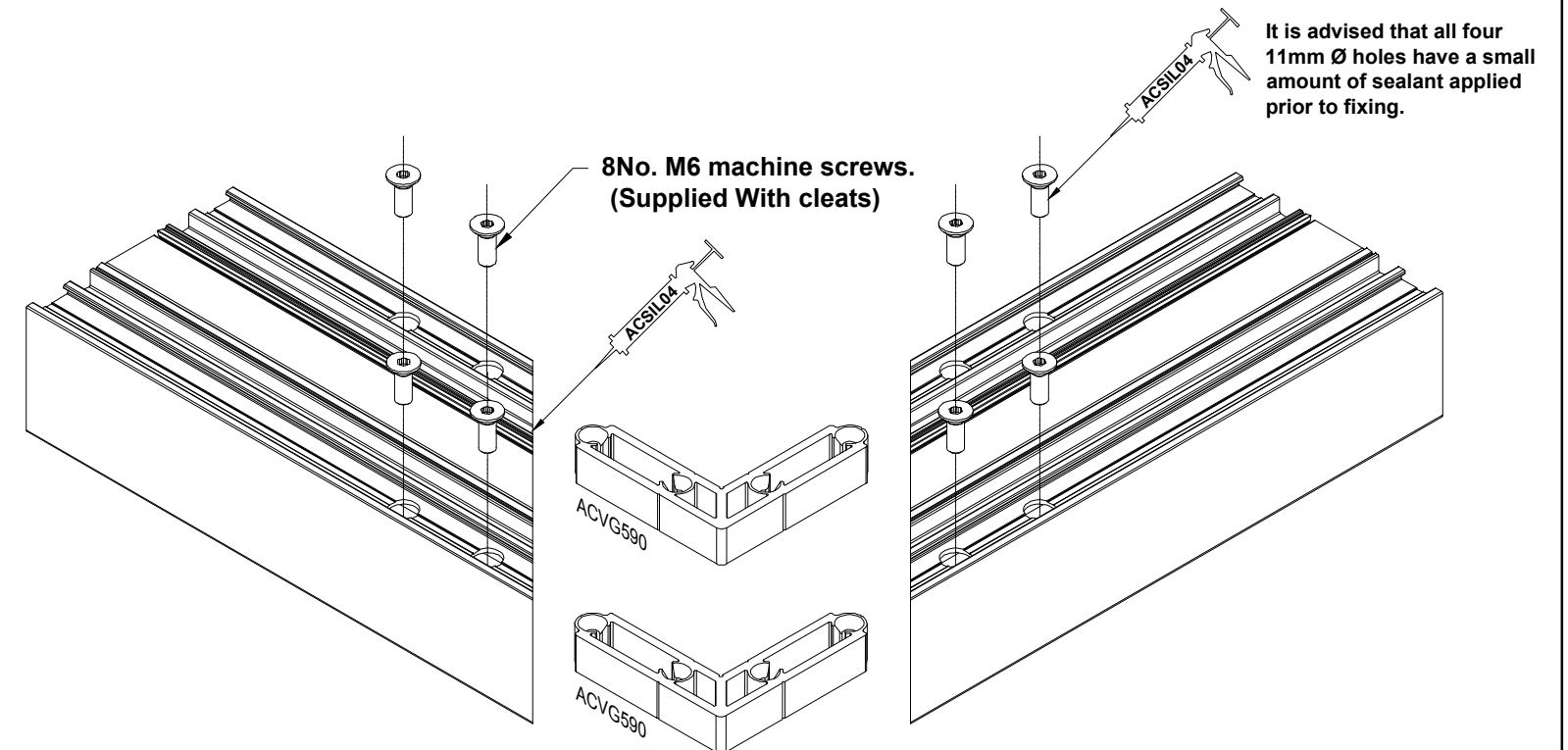
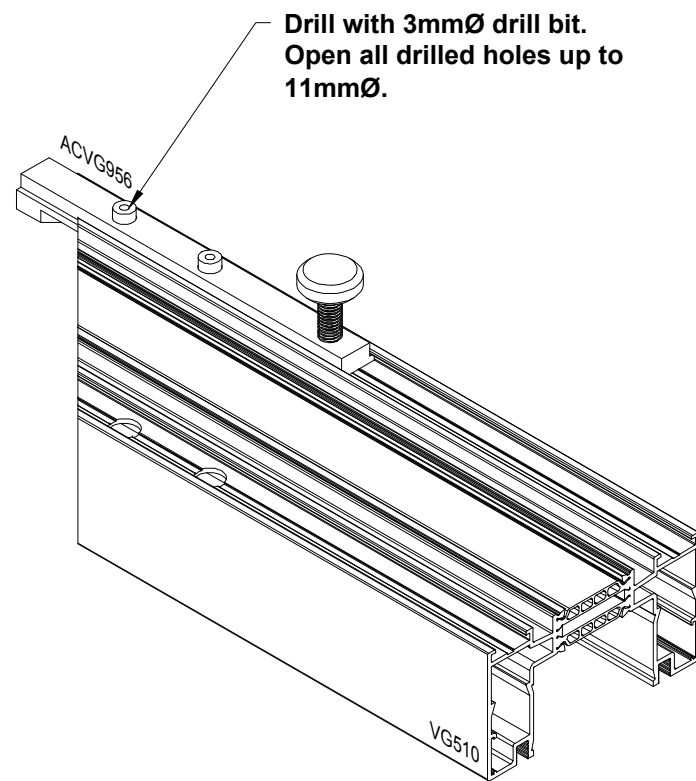
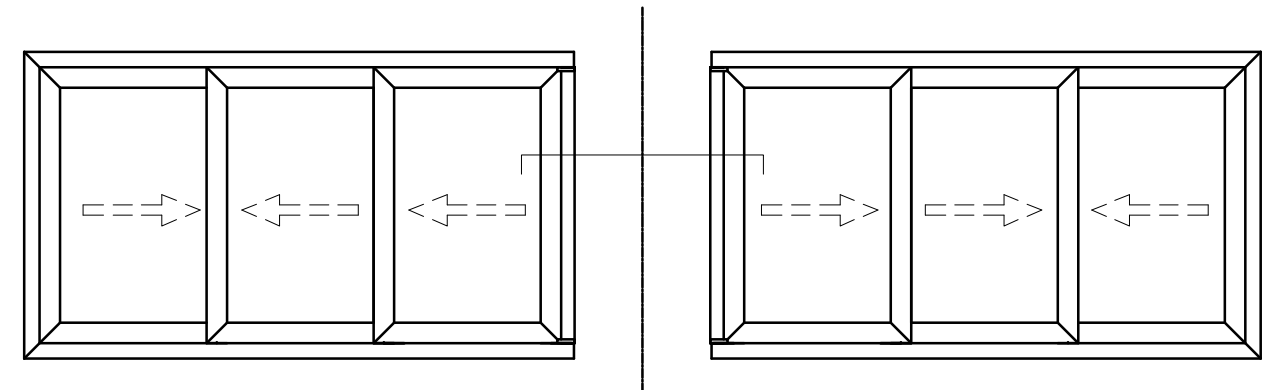
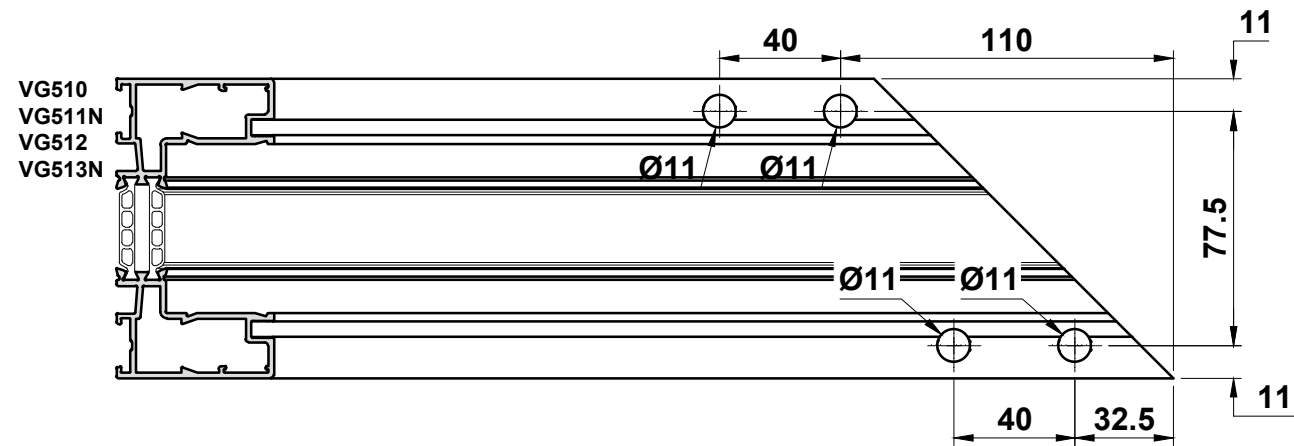


Opening distance depends on handle type and customer preference



Do Not Scale From This Drawing

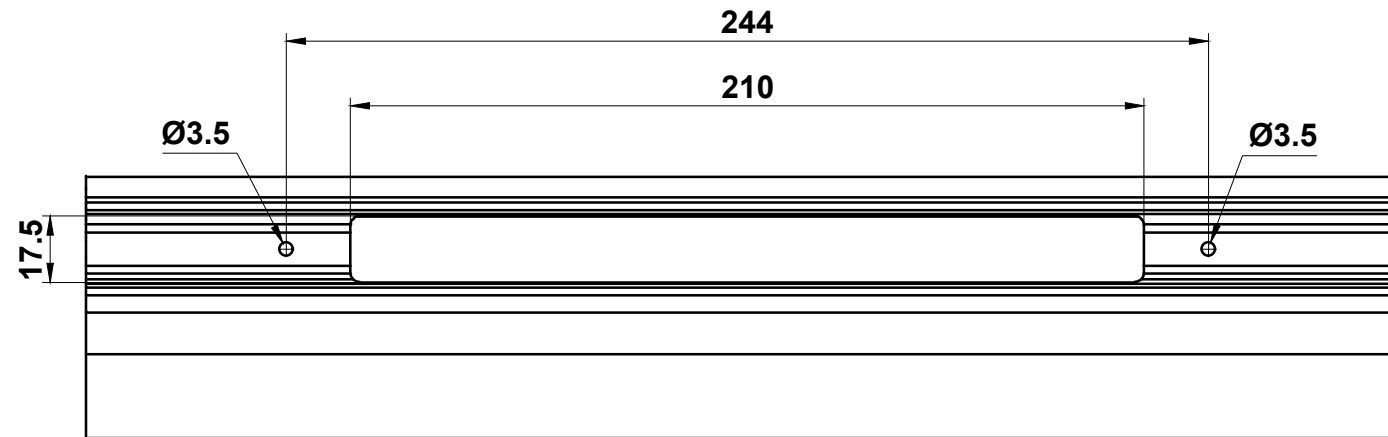
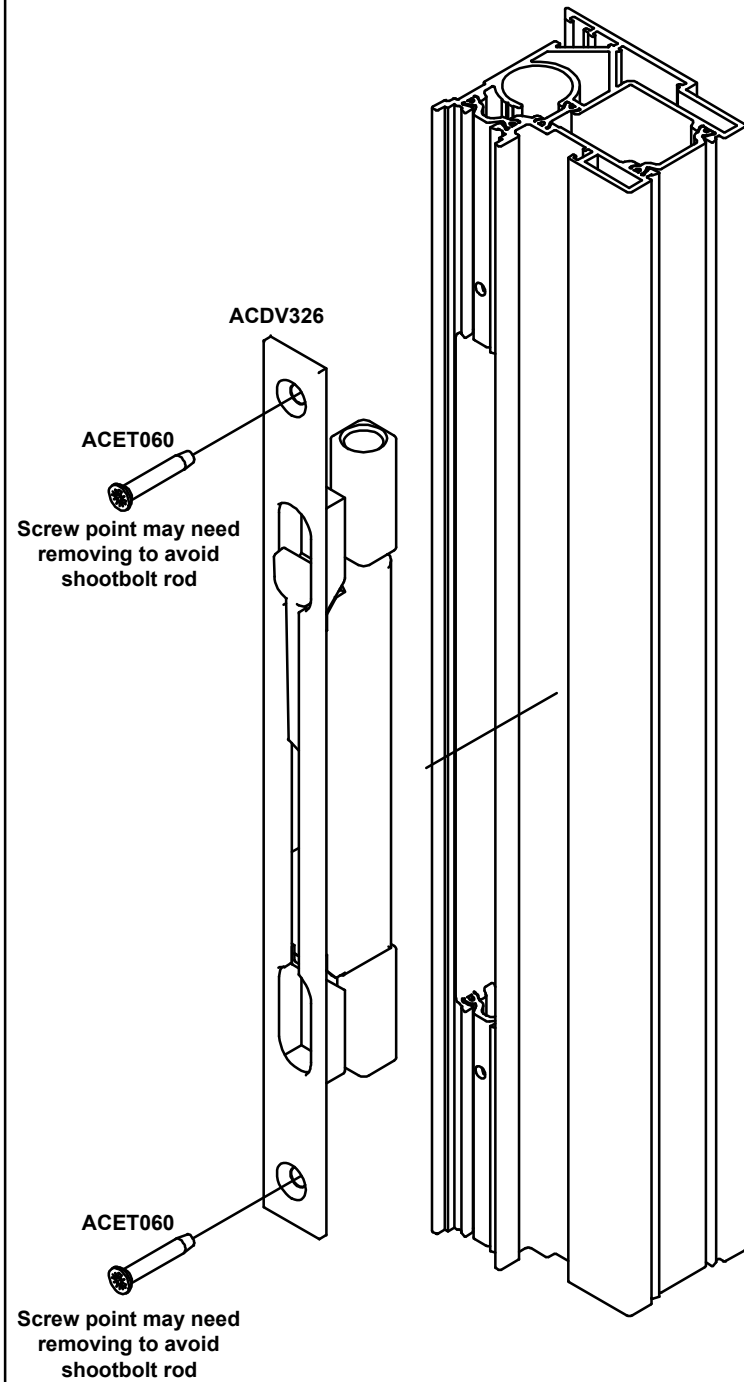
VG510 Corner Assembly



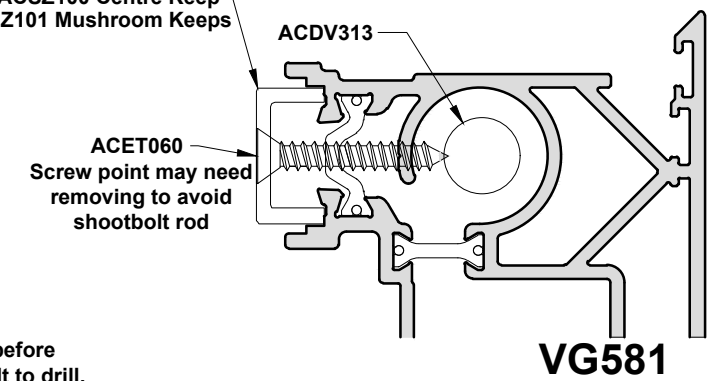
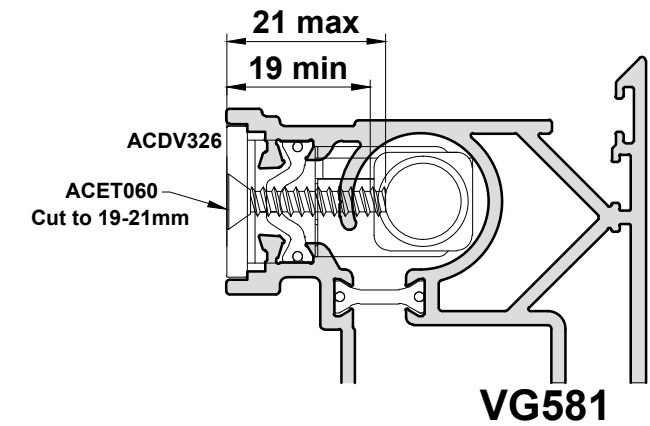
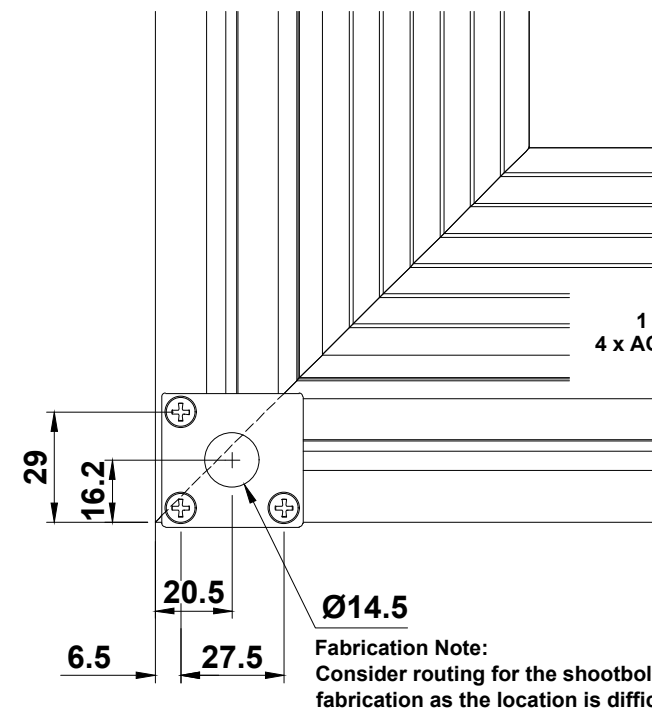
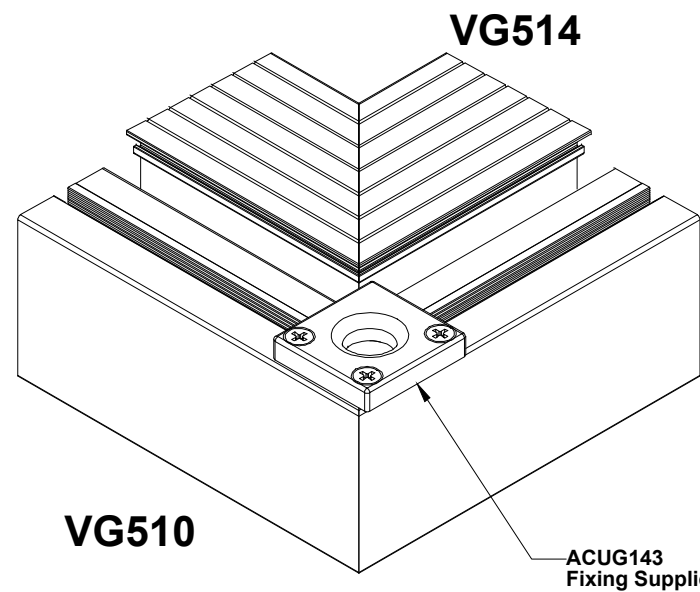
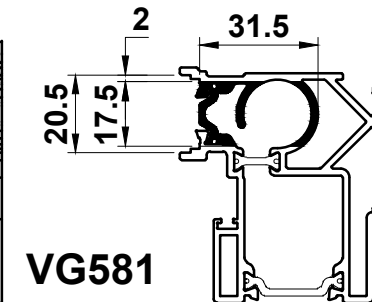
Do Not Scale From This Drawing

VG581 Shootbolt Details

VG581

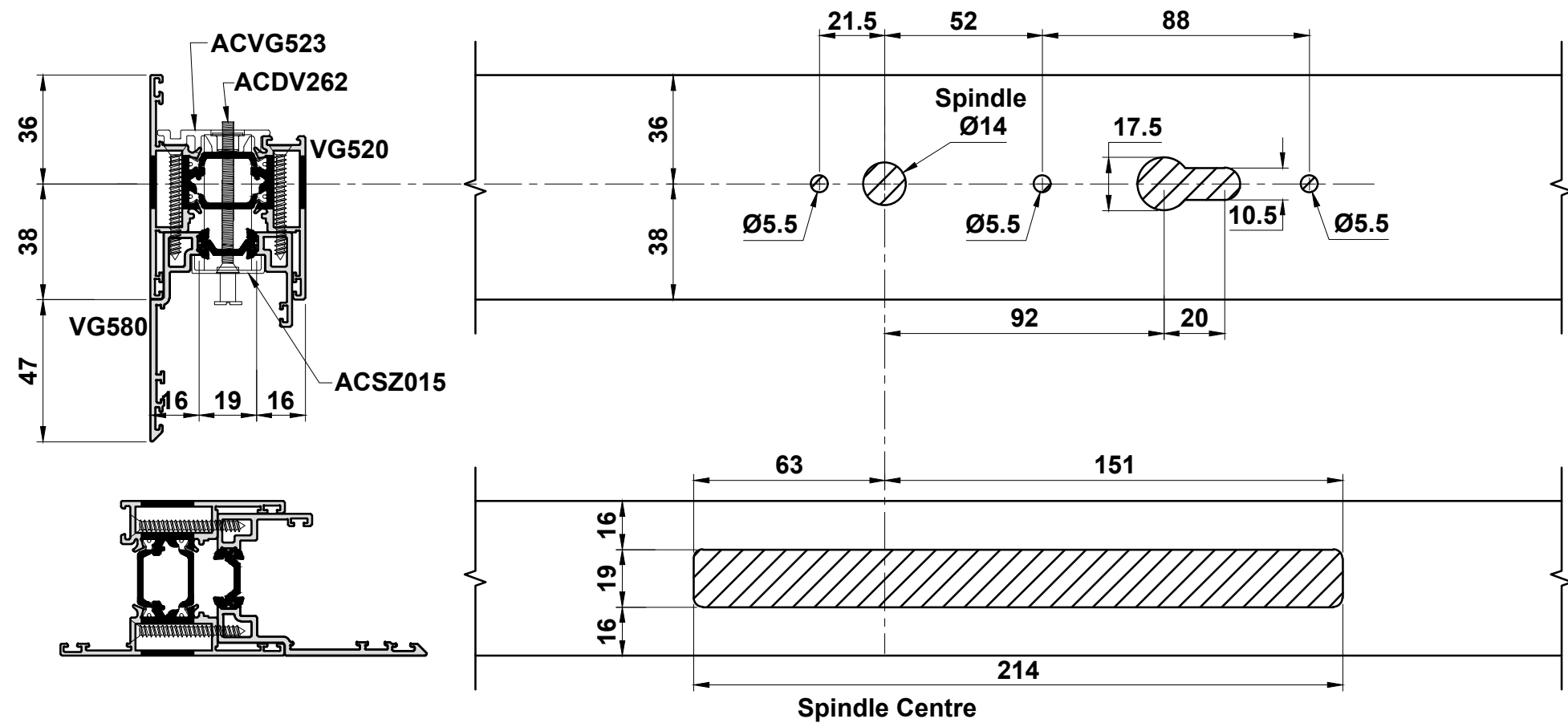
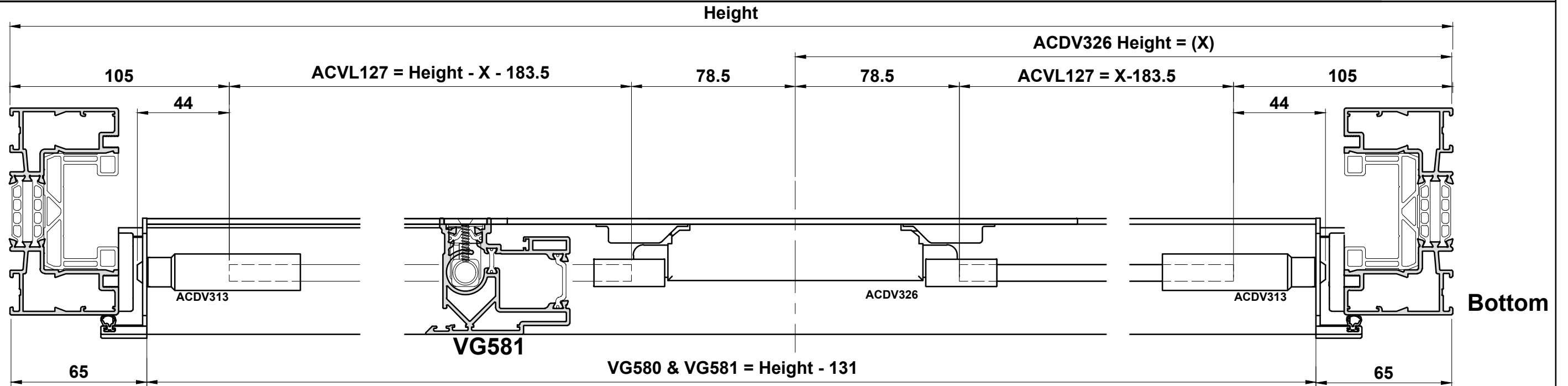


See next page for ACVL127 rod deductions



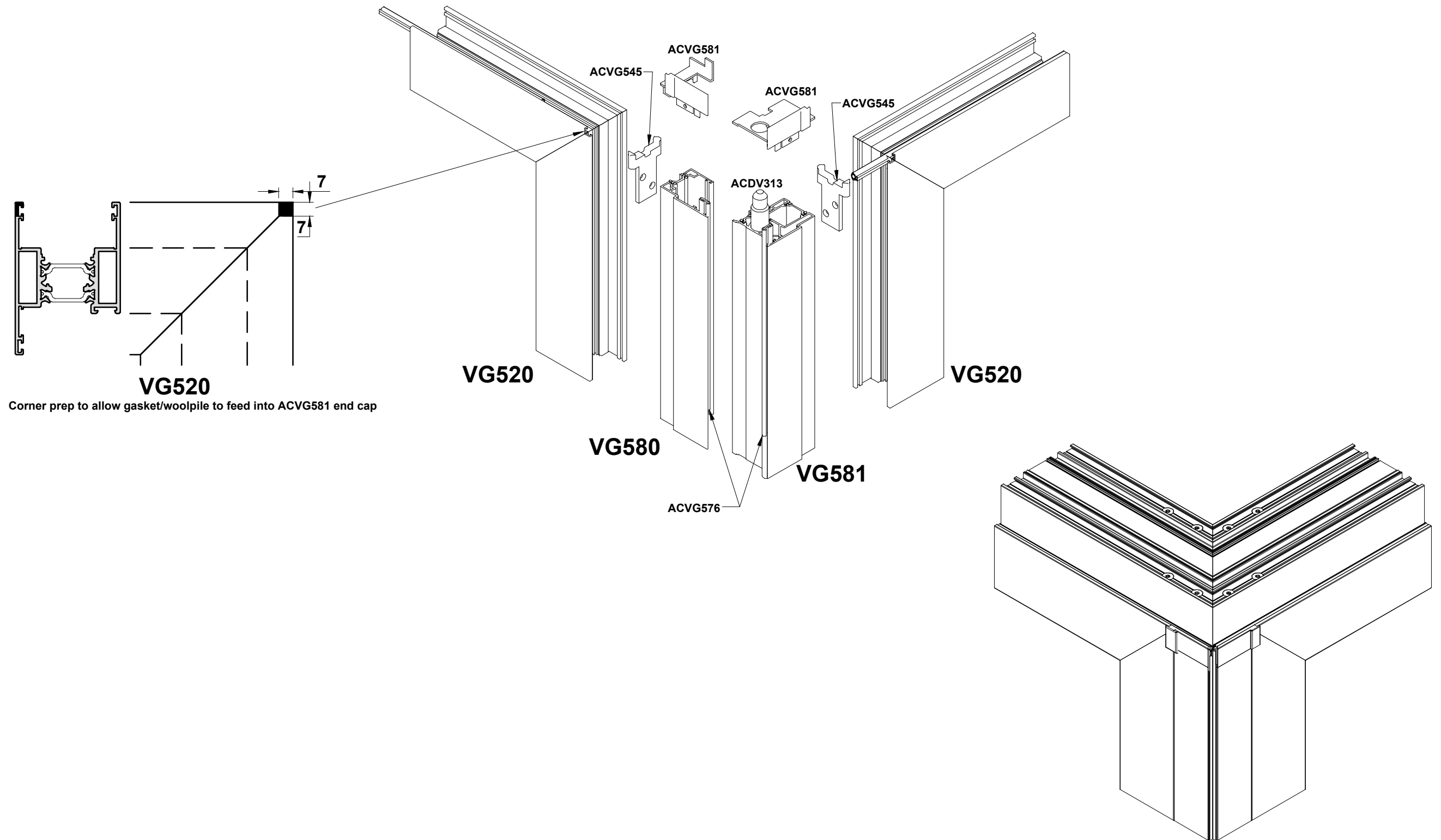
Do Not Scale From This Drawing

ACSZ015 Lock Preparation & Shootbolt Details



Do Not Scale From This Drawing

VG580 & VG581 Assembly



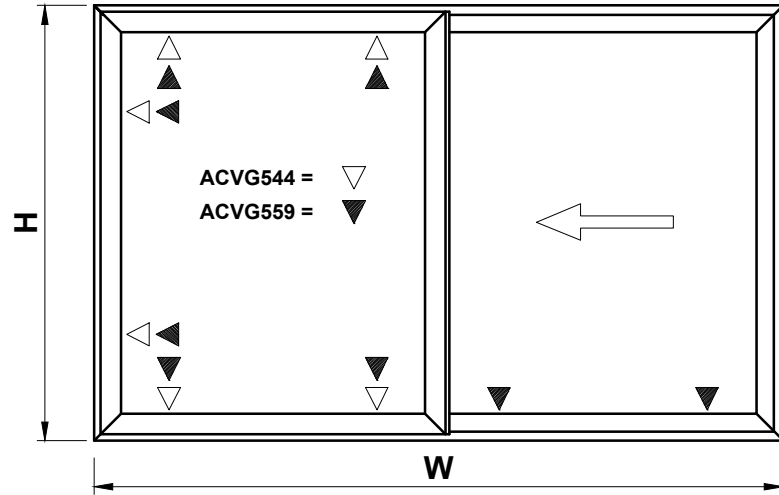
Section F

Sawing Tables

Sliding Doors.....	F03 - F14
Sobinco Lift and Slide Doors.....	F15 - F22
Hautau Lift and Slide Doors.....	F23 - F27
Vanishing Corner.....	F28

Section F

Cutting Information - Sliding



PROFILES

VG518 (with UG050)		2		W
VG518 (with UG050)		2		H
VG520		4		W/2 - 11
VG520		4		H - 87
VG530		2		H - 87
VG551R		2		H - 87
VG586		2		H - 87
BEAD		4		W/2 - 119
BEAD		4		H - 235
VG53		1		W - 94
VG52		1		W - 104
VG52		2		W/2 - 62.5
VG52		3		H - 92
VL72		1		W - 9
VG575		1		W/2 - 89
*VG514		1		H - 108
*VG514		2		W/2 - 93.5

*Optional

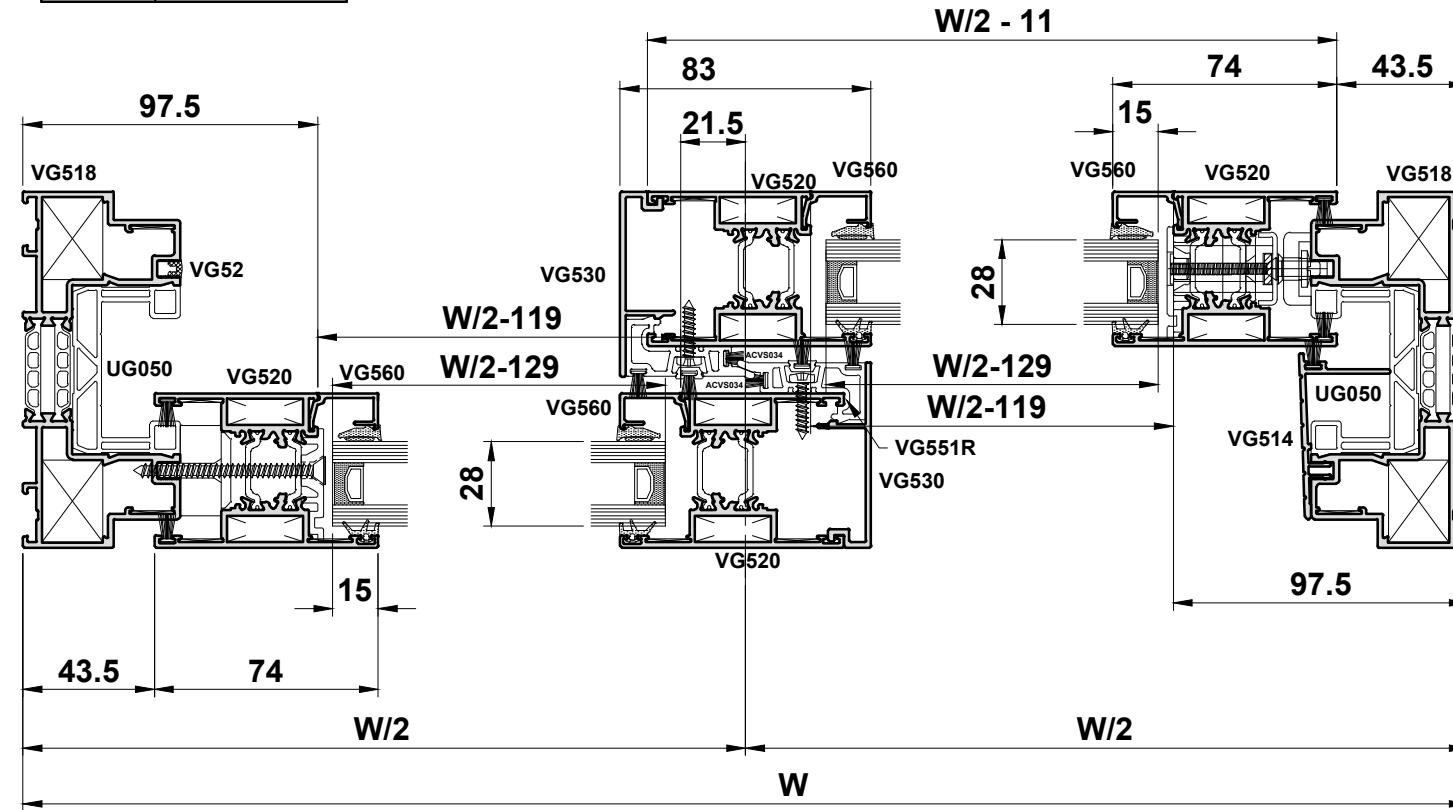
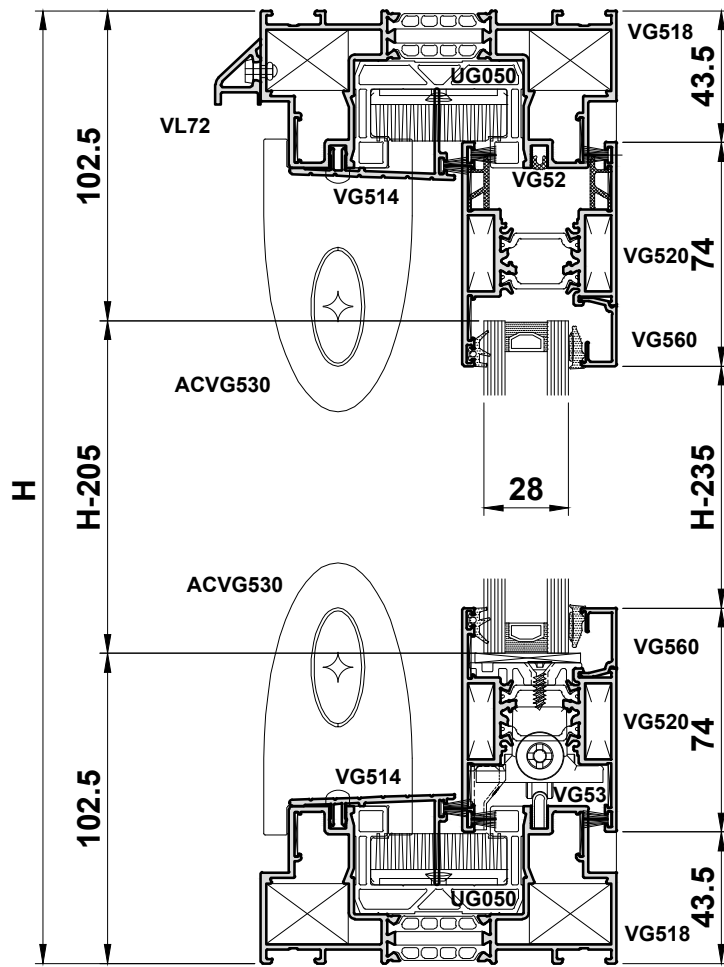
ACCESSORIES

ACGSL045		MAX 800 mm	Drainage Cap
ACSG012	16		Sash Cleat
ACUG830	2		Interlock Seal
ACUN348	2		Buffer
ACVG520	32		Chevron
ACVG523	13		Lock Fixing Plates
ACVG528	4+		Sash Top Guide
ACVG529	1 Set of 4		Anti Lift Block/Guide
ACVG530	2 Pairs		Interlock Cover Cap
ACVG534	4+		Sash Drainage Spout
ACVG544	6		Fixed Sash Support
ACVG555	2		Adjustable Rollers
ACVG559	8		Bridge Packer
ACVG575	2+		Support for VG575
ACVG617(S)	8		Outer Frame Cleat
ACVL059	1 Pair		VL72 End Cap
ACVL061	W/300 + 2		VL72/VL76 Rivet
ACVS033	9H + 5W		Woolpile
ACVS034	2H		VG551R Woolpile
Ext. Glazing Gasket	4H + 2W - 1300		'E' Gasket
Int. Glazing Gasket	4H + 2W - 1300		Wedge Gasket

*See section E for lock & handle selection

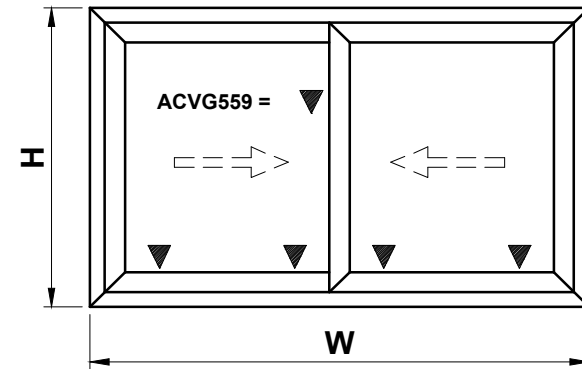
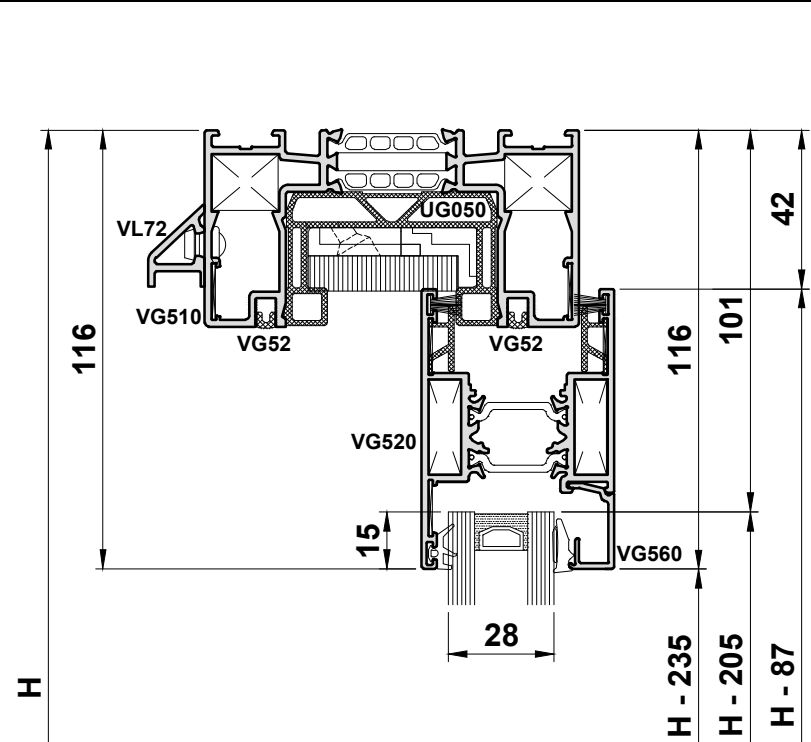
IMPORTANT NOTE:
Maximum Sash Weights:
Sliding Sashes = 250kg

GLASS SIZE	
2x	W/2 - 129
	H - 205



Do Not Scale From This Drawing

Cutting Information - Sliding



PROFILES

VG510 (with UG050)		2		W
VG510 (with UG050)		2		H
VG520		4		W/2 - 11
VG520		4		H - 87
VG530		2		H - 87
VG551R		2		H - 87
VG586		2		H - 87
BEAD		4		W/2 - 119
BEAD		4		H - 235
VG52		2		W - 104
VG52		4		H - 104
VG53		2		W - 94
VL72		1		W - 9
VG575		2		W/2 - 89

ACCESSORIES

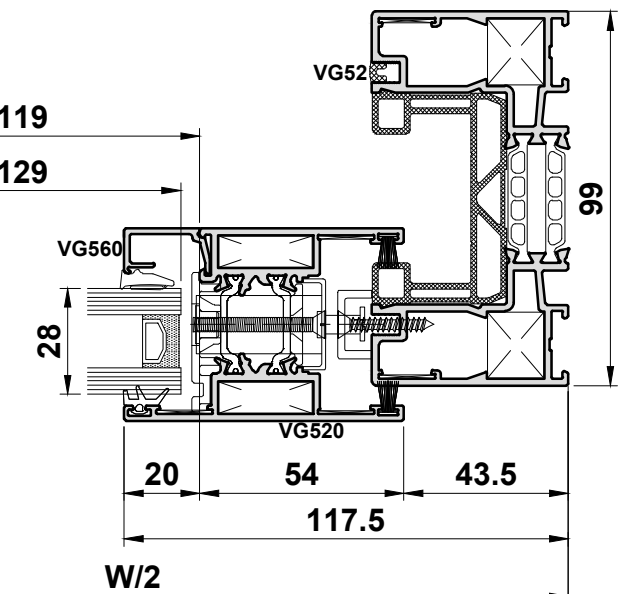
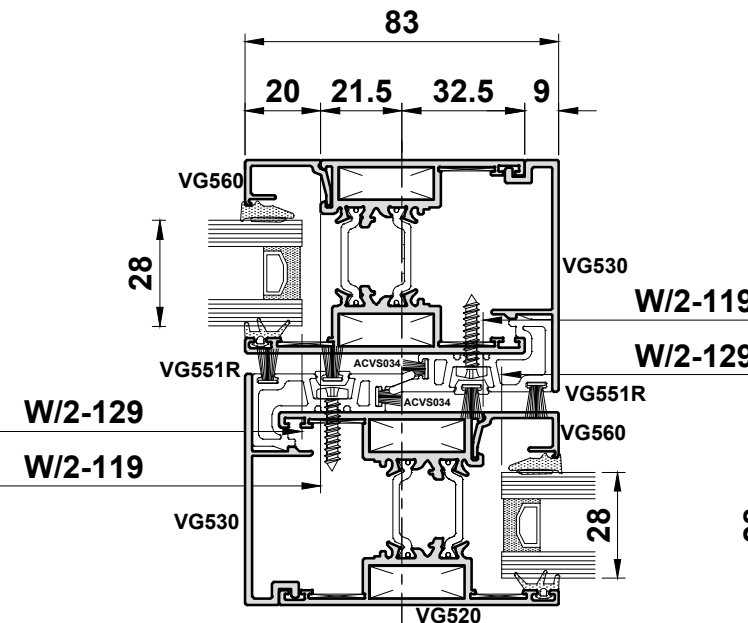
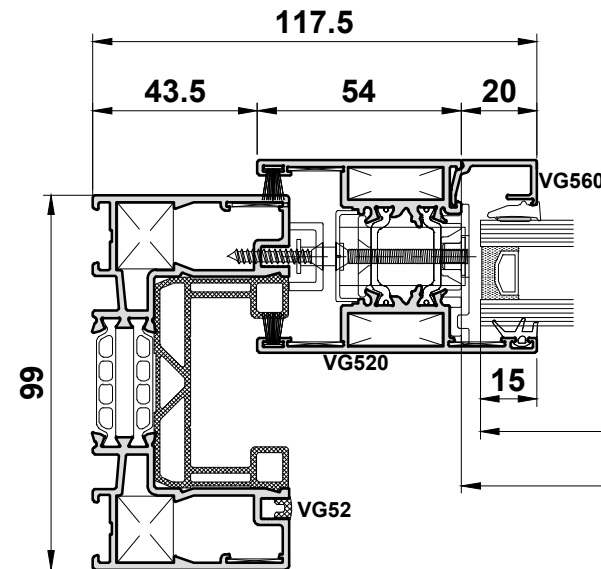
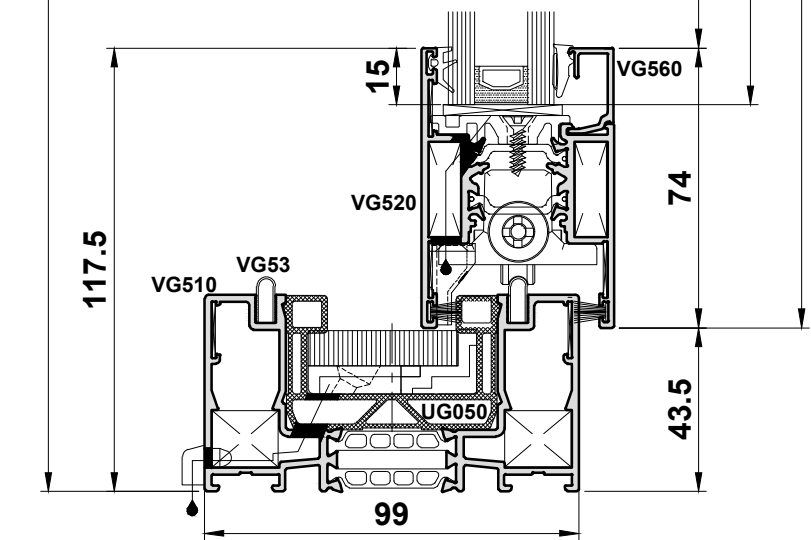
ACGSL045		MAX 800 mm	Drainage Cap
ACSG012		16	Sash Cleat
ACUG830		2	Interlock Seal
ACUN348		4	Buffer
ACVG510		8	Outer Frame Cleats
ACVG520		32	Chevron
ACVG523		26	Lock Fixing Plates
ACVG528		8+	Sash Top Guide
ACVG529		1 Set of 4	Anti Lift Block/Guide
ACVG530		2 Pairs	Interlock Cover Cap
ACVG534		4+	Sash Drainage Spout
ACVG555		4	Adjustable Rollers
ACVG559		4	Bridge Packer
ACVG575		4+	Support for VG575
ACVL059		1 Pair	VL72 End Cap
ACVL061		W/300 + 2	VL72/VL76 Rivet
ACVS033		8H + 4W	Woolpile
ACVS034		2H	VG551R Woolpile
Ext. Glazing Gasket		4H + 2W - 1300	'E' Gasket
Int. Glazing Gasket		4H + 2W - 1300	Wedge Gasket

IMPORTANT NOTE:

Maximum Sash Weights:
Sliding Sashes = 250kg

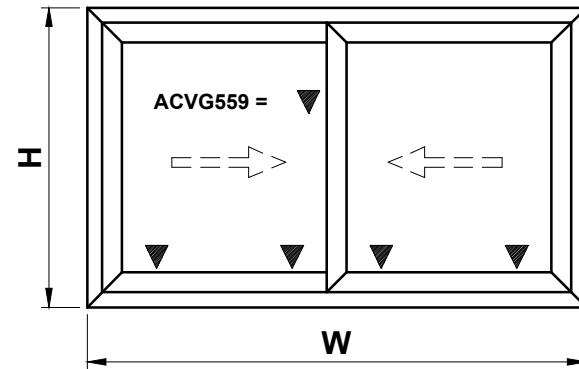
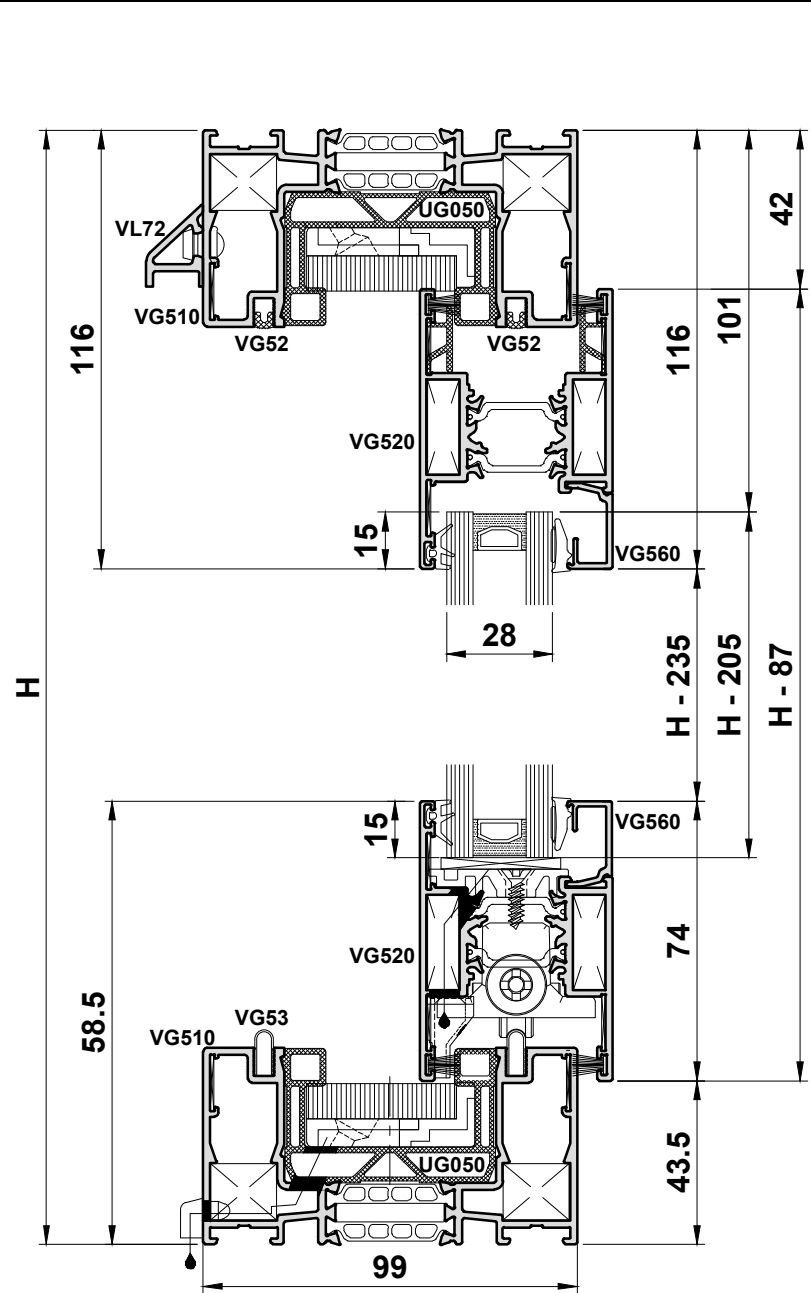
GLASS SIZE	
2x	W/2 - 129
	H - 205

*See section E for lock & handle selection



Do Not Scale From This Drawing

Cutting Information - Sliding with Slim Interlock



IMPORTANT NOTE:
Maximum Sash Weights:
Sliding Sashes = 250kg

PROFILES

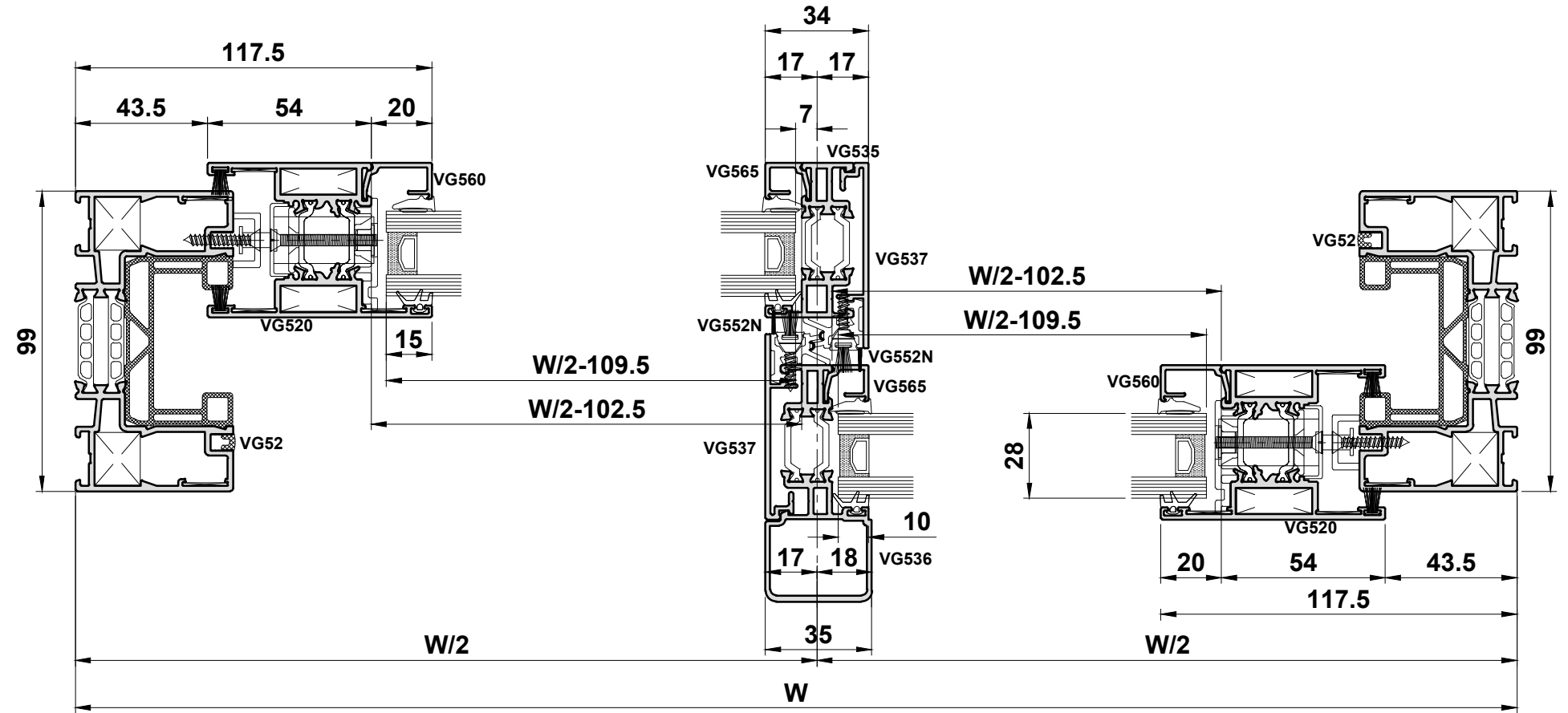
VG510 (with UG050)		2		W
VG510 (with UG050)		2		H
VG520		2		W/2 - 48.5
VG520		2		W/2 - 48.5
VG520		2		H - 87
VG535		1		H - 87
VG536		1		H - 87
VG537		2		H - 87
VG552N		2		H - 87
BEAD		4		W/2 - 114.5
BEAD		2		H - 235
VG565/VG566		2		H - 195
VG52		2		W - 104
VG52		4		H - 104
VG53		2		W - 94
VL72		1		W - 9
VG575		2		W/2 - 89

GLASS SIZE	
2x	W/2 - 109.5
	H - 205

ACCESSORIES

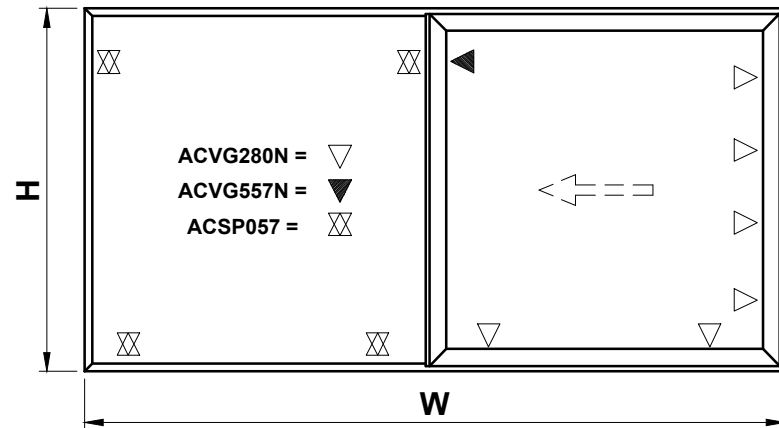
Accessories	Quantity	Description
ACGSL045		Drainage Cap
ACSG012	8	Sash Cleat
ACUG830	2	Interlock Seal
ACUN348	4	Buffer
ACVG510	8	Outer Frame Cleats
ACVG520	32	Chevron
ACVG523	26	Lock Fixing Plates
ACVG528	8+	Sash Top Guide
ACVG529	1 Set of 4	Anti Lift Block/Guide
ACVG530	2 Pairs	Interlock Cover Cap
ACVG534	4+	Sash Drainage Spout
ACVG536	1 Pair	End Caps
ACVG546	2	Interlock Anti-Lift Block
ACVG547	8	Fixing Bracket
ACVG555	4	Adjustable Rollers
ACVG559	4	Bridge Packer
ACVG575	4+	Support for VG575
ACVL059	1 Pair	VL72 End Cap
ACVL061	W/300+2	VL72/VL76 Rivet
ACVS033	6H + 4W	Woolpile
Ext. Glazing Gasket	4H + 2W - 1300	'E' Gasket
Int. Glazing Gasket	4H + 2W - 1300	Wedge Gasket

*See section E for lock & handle selection



Do Not Scale From This Drawing

Cutting Information - Mono Rail with Slider



IMPORTANT NOTE:
Maximum Sash Weights:
Slide = 250kg

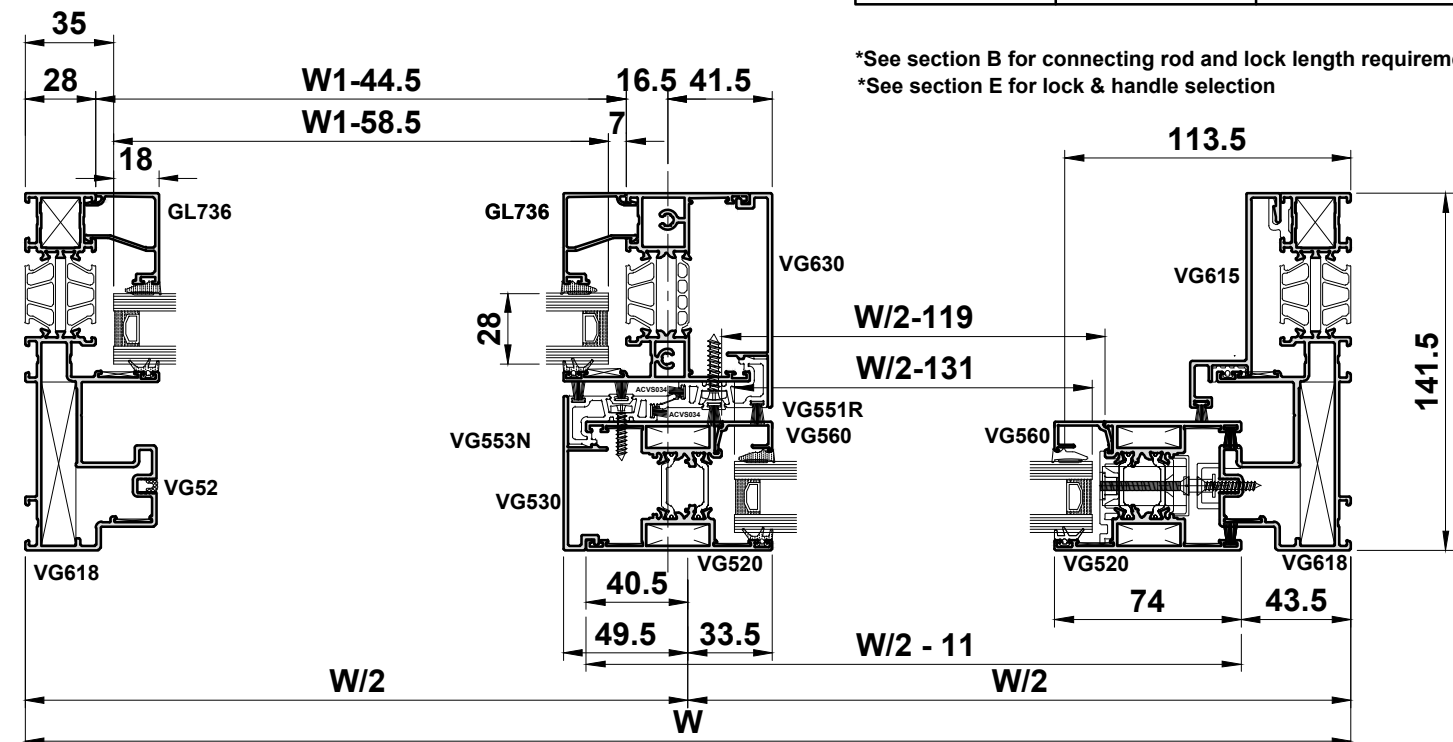
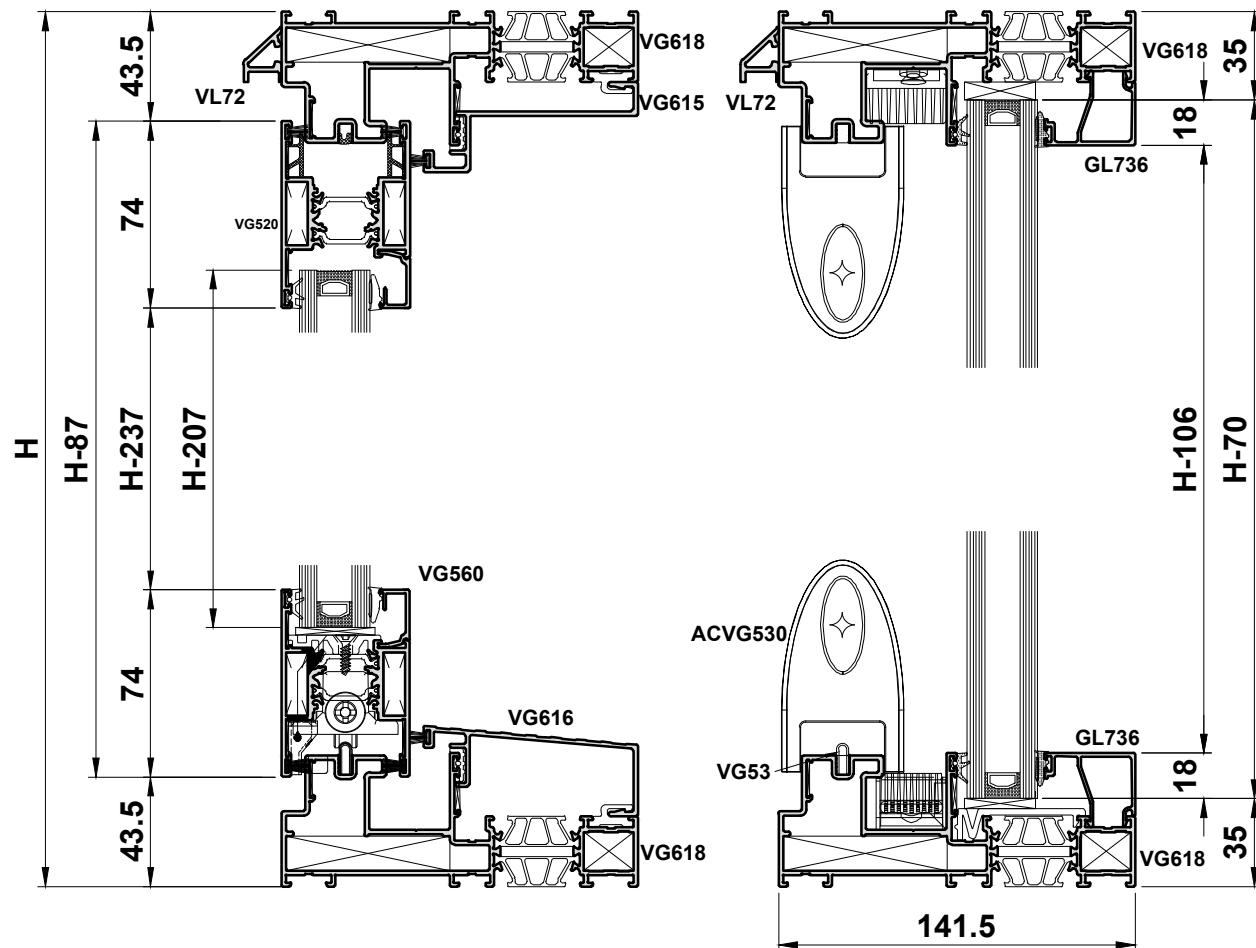
PROFILES

VG618		2		W
VG618		2		H
VG520		2		W/2 - 11
VG520		2		H - 87
VG620		1		H - 56
VG530		1		H - 87
VG630		1		H - 56
VG551R		2		H - 87
VG586		2		H - 87
VG615		1		H - 56
VG615		1		W/2 - 69.5
VG616		2		W/2 - 83
VG5XX		2		W/2 - 119
VG5XX		2		H - 235
GL7XX		2		W / 2 - 44.5
GL7XX		2		H - 106
VG53		1		W - 94
VG52		1		W - 104
VG52		2		H - 104
VL72		1		W - 9

ACCESSORIES

ACEF010B			
ACSG611B	4		VG610/618 Corner Cleat
ACFT171	(H + W - 200) / 300		Clip-In Adaptor
ACGSL057	2		Storm Valve
ACSG631	H + W - 200		VG610/618 Interlock Seal
ACSP057	4		VG610/618 Glass Support
ACUG631	2		VG610/618 Interlock Seal
ACUG632	1		VG610/618 Interlock Seal
ACUN348	2		Buffer
ACVG45N			Drainage Cap
ACVG520	16		Chevron
ACSG012	8		VG520 Corner Cleat
ACVG528	4+		Top Guides
ACVG531	1 Pair		Interlock Cover Cap
ACVG534	2+		Sash Drainage Spout
ACVG555	2		Adjustable Roller
ACVG557N	3		Bridge Packer
ACVG618(S)	4		VG618 Corner Cleat
ACVL020(B)	4		Chevron
ACVL029	6		Anti-Twist Clip
ACVL059	1		VL72 End Cap
ACVL061	W/300 + 2		Rivet
ACVS033	7H + 5W		Woolpile
ACVS034	2H		VG551R Woolpile
Ext. Glazing Gasket	(1) 2H + W - 200 (2) 2H + W - 700		E-Gasket
Int. Glazing Gasket	(1) 2H + W - 200 (2) 2H + W - 700		Wedge Gasket

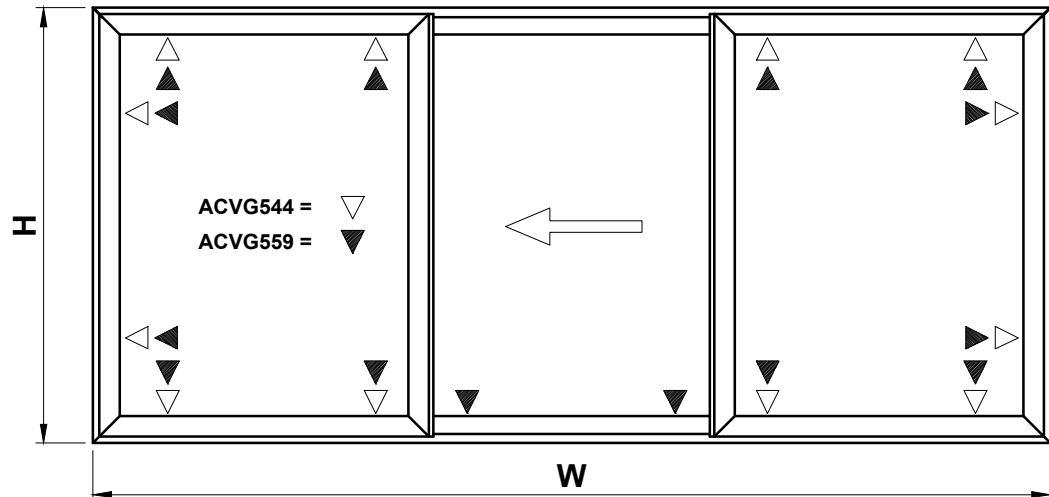
GLASS SIZE	
Fixed 1x	W/2 - 58.5
	H - 70
Sash 1x	W/2 - 131
	H - 207



*See section B for connecting rod and lock length requirements
*See section E for lock & handle selection

Do Not Scale From This Drawing

Cutting Information - Sliding



PROFILES

VG518 (with UG050)		2		W
VG518 (with UG050)		2		H
VG520		6		W/3 + 14.3
VG520		6		H - 87
VG530		3		H - 87
VG551R		3		H - 87
VG586		3		H - 87
VG632		1		H - 87
BEAD		6		W/3 - 93.7
BEAD		6		H - 235
VG53		1		W - 94
VG52		1		W - 104
VG52		2		W/3 - 71.5
VG52		3		H - 92
VL72		1		W - 9
VG575		2		W/3 - 63.5
*VG514		2		W/3 - 133.5

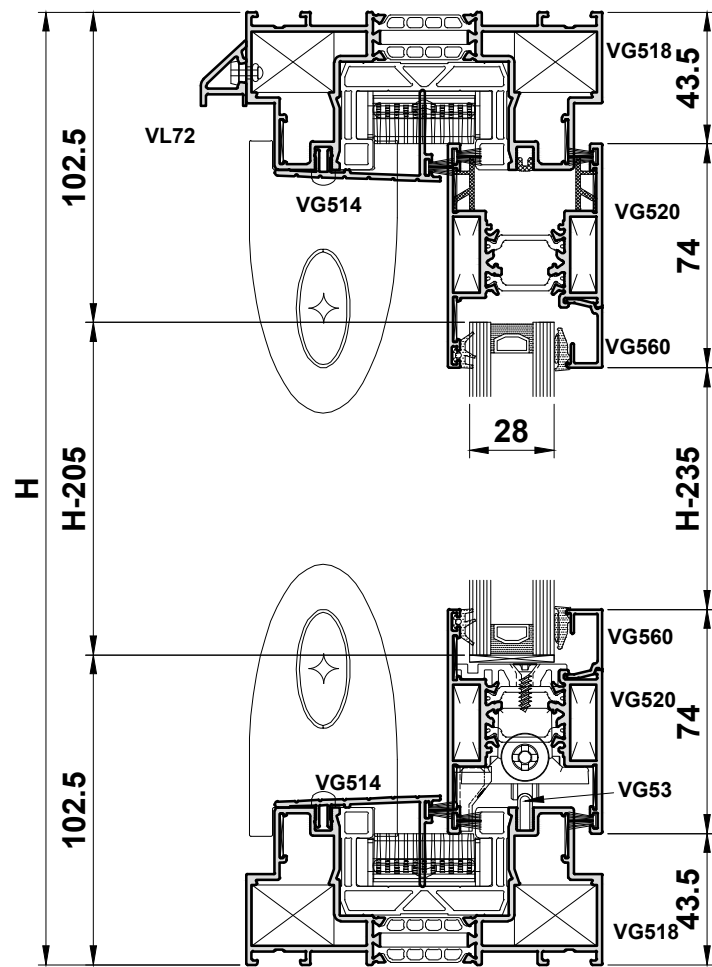
*Optional

ACCESSORIES

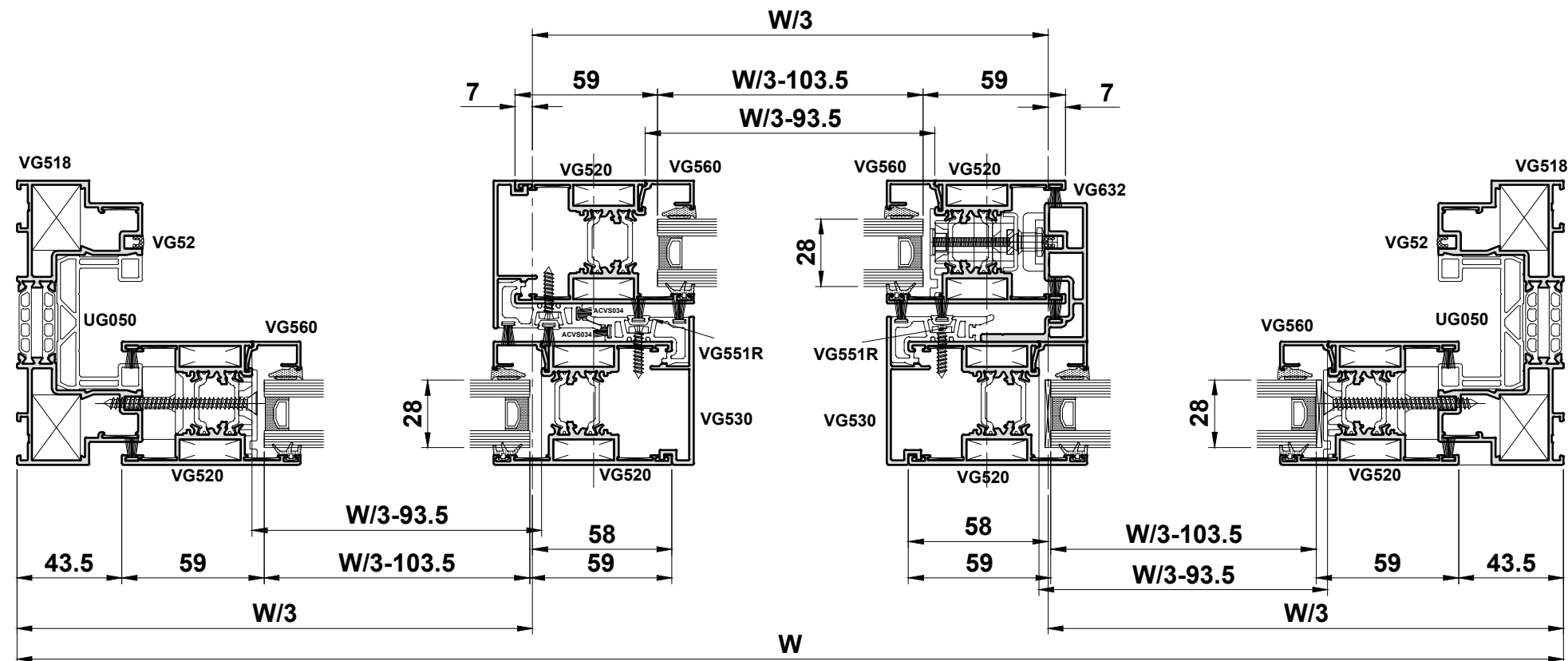
ACGSL045		Drainage Cap
ACSG012	24	Sash Cleat
ACUG830	4	Interlock Seal
ACUN348	2	Buffer
ACVG520	44	Chevron
ACVG523	13	Lock Fixing Plates
ACVG528	4+	Sash Top Guide
ACVG529	1 Set of 4	Anti Lift Block/Guide
ACVG530	3 Pairs	Interlock Cover Cap
ACVG534	6+	Sash Drainage Spout
ACVG544	12	Fixed Sash Support
ACVG555	2	Adjustable Rollers
ACVG559	14	Bridge Packer
ACVG575	4+	Support for VG575
ACVG617(S)	8	Outer Frame Cleat
ACVL059	1 Pair	VL72 End Cap
ACVL061	W/300 + 2	VL72/VL76 Rivet
ACVS033	13H + 6W	Woolpile
ACVS034	2H	VG551R Woolpile
Ext. Glazing Gasket	6H + 2W - 1300	'E' Gasket
Int. Glazing Gasket	6H + 2W - 1300	Wedge Gasket

*See section E for lock & handle selection

IMPORTANT NOTE:
Maximum Sash Weights:
Sliding Sashes = 250kg

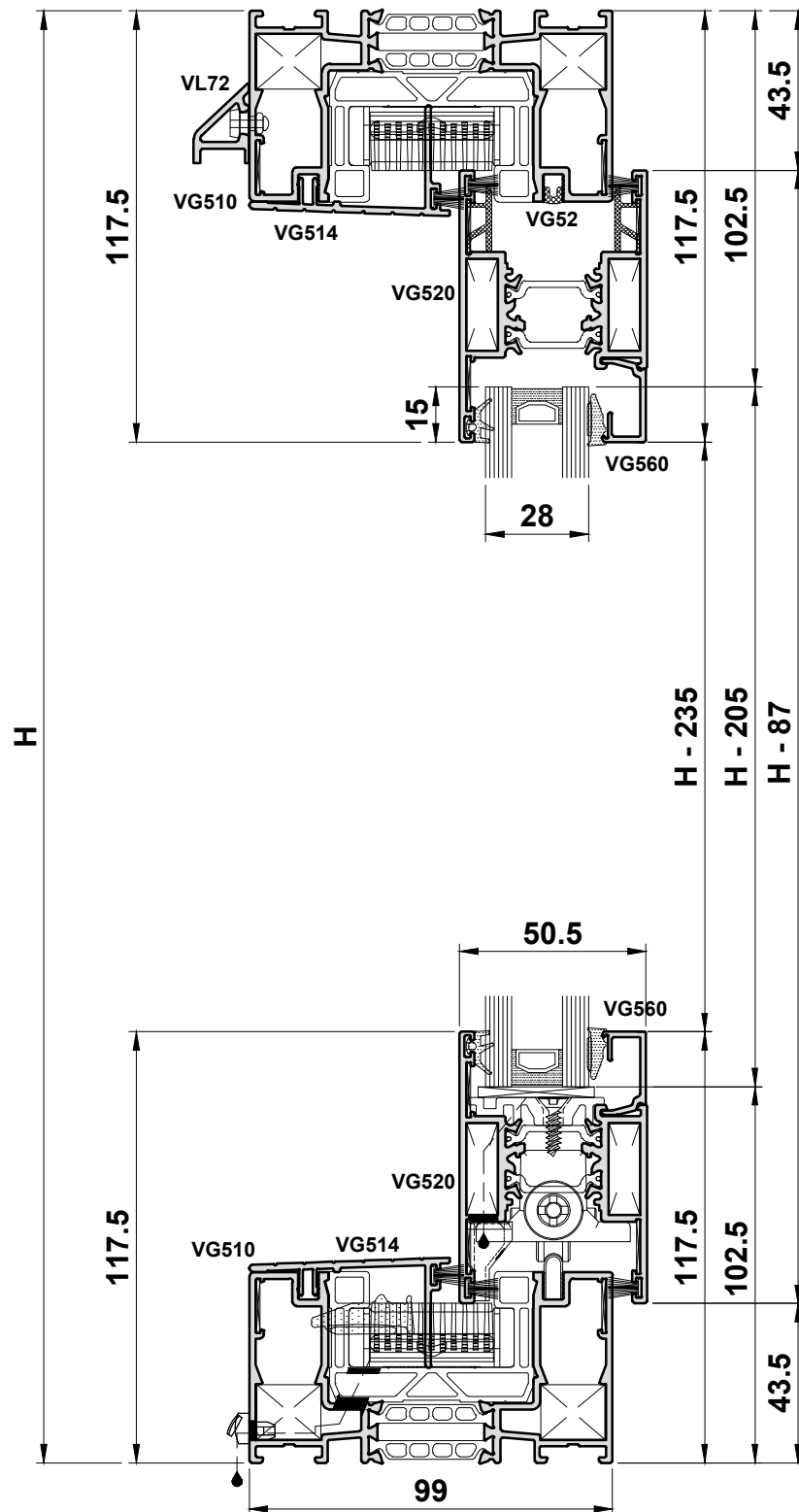


GLASS SIZE	
3x	W/3 - 103.5
	H - 205



Do Not Scale From This Drawing

Cutting Information - Sliding



PROFILES

VG510 (with UG050)		2		W
VG510 (with UG050)		2		H
VG520		6		W/3 - 10
VG520		6		H - 87
VG551R		2		H - 87
VG586		2		H - 87
VG530		2		H - 87
VG540		1		H - 125
BEAD		6		W/3 - 118
BEAD		6		H - 235
VG52		2		W - 104
VG52		4		H - 104
VG53		1		W - (W1 + 47)
VL72		1		W - 9
VG575		1		W/3 - 88
*VG514		2		W - (W3 + 93.5)
*VG514		1		H - 108

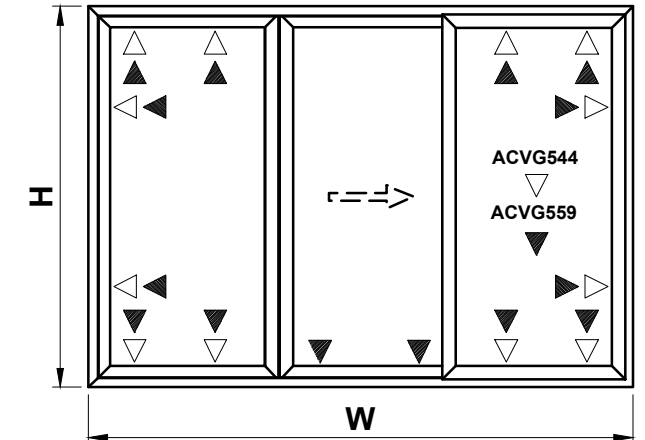
* Optional

GLASS SIZE	
3x	W/3 - 128
	H - 205

ACCESSORIES

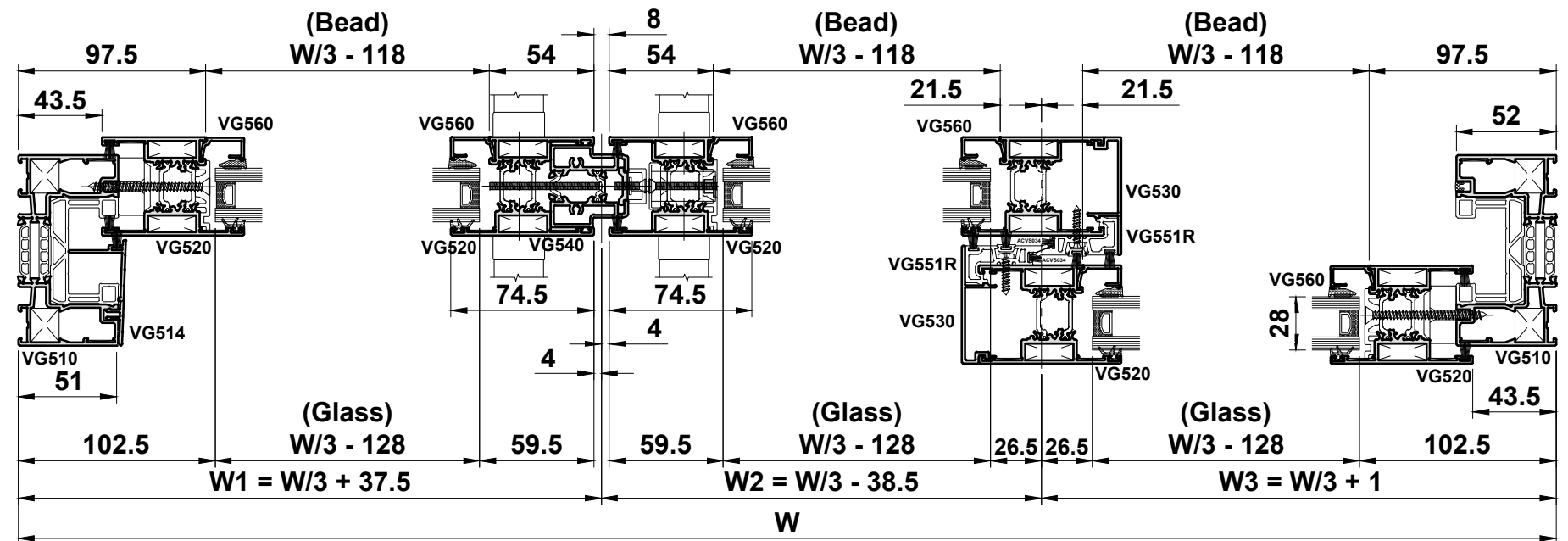
ACGSL045		MAX 800 mm	Drainage Cap
ACSG012	24		Sash Cleat
ACUG830	2		Interlock Seal
ACUN348	2		Buffer
ACVG510	8		Outer Frame Cleats
ACVG520	44		Chevron
ACVG523	26		Lock Fixing Plates
ACVG528	4+		Sash Top Guide
ACVG529	1 Set of 4		Anti Lift Block/Guide
ACVG530	2 Pairs		Interlock Cover Cap
ACVG534	6+		Sash Drainage Spout
ACVG540	1		VG540 End Cap
ACVG544	12		Fixed Sash Support
ACVG545	2		Sash Guide
ACVG555	2		Adjustable Rollers
ACVG559	14		Bridge Packer
ACVG571	4		Lock Fixing Support
ACVG575	2+		Support for VG575
ACVG580	1		Fixation Plate
ACVG81	1		Fixation Plate
ACVL059	1 Pair		VL72 End Cap
ACVL061	W/300 + 2		VL72/VL76 Rivet
ACVS033	11H + 6W		Woolpile
ACVS034	2H		VG551R Woolpile
Ext. Glazing Gasket	6H + 2W - 1100		'E' Gasket
Int. Glazing Gasket	6H + 2W - 1100		Wedge Gasket

*See section E for lock & handle selection



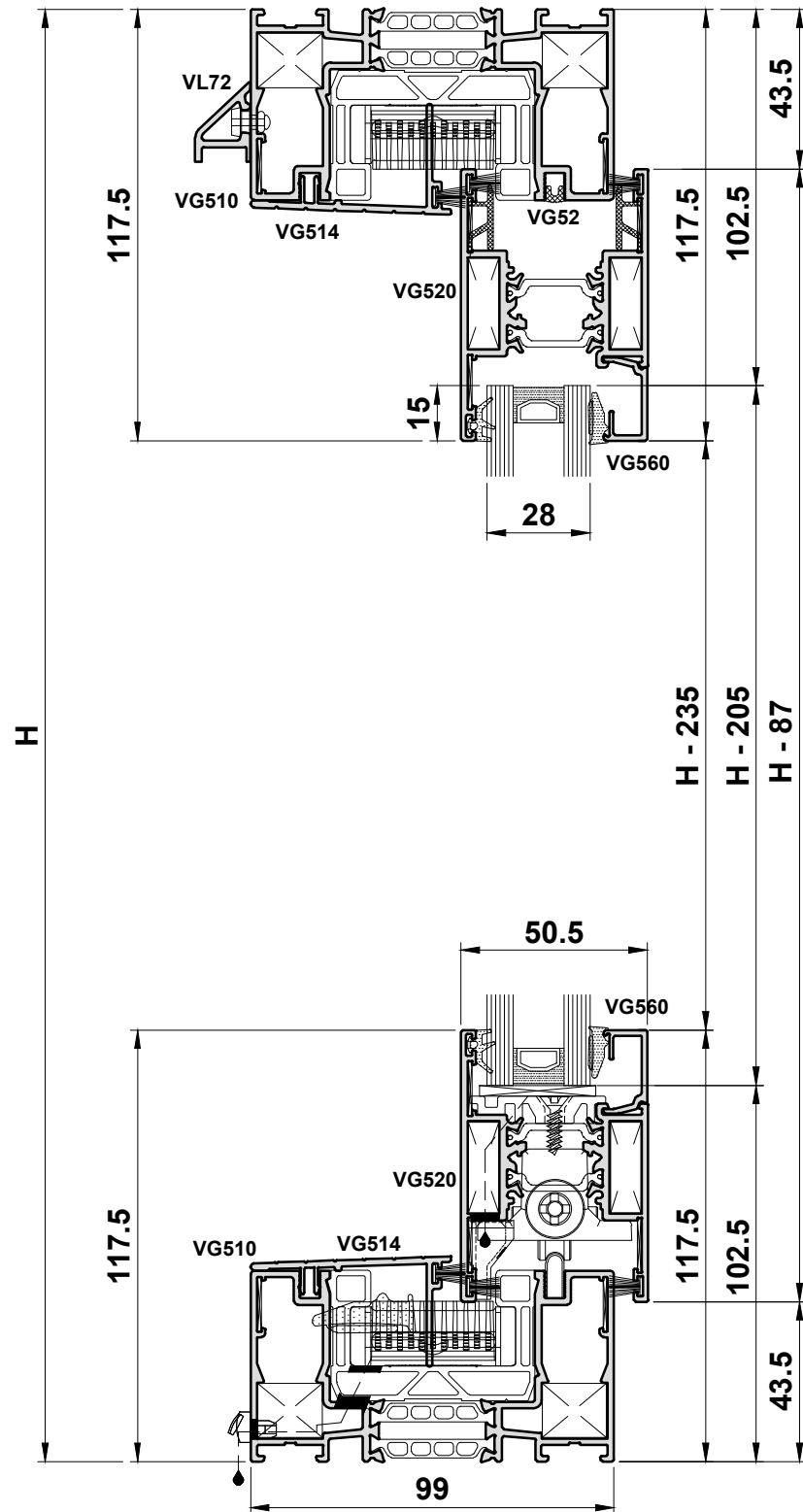
IMPORTANT NOTE:

Maximum Sash Weights:
Sliding Sashes = 250kg



Do Not Scale From This Drawing

Cutting Information - Sliding with Slim Interlock



PROFILES

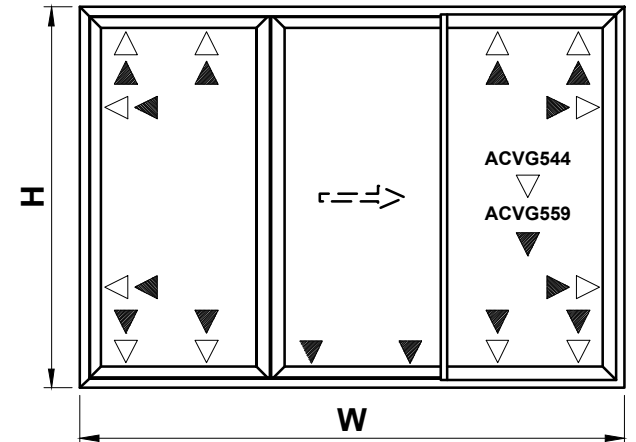
VG510 (with UG050)		2		W
VG510 (with UG050)		2		H
VG520		1		W2 - 9
VG520		1		W3 - 48.5
VG520		1		W2 - 10
VG520		1		W3 - 48.5
VG520		2		W1 - 47.5
VG520		4		H - 87
VG535		1		H - 87
VG536		1		H - 87
VG537		2		H - 87
VG552N		2		H - 87
VG540		1		H - 125
BEAD		2		W/3 - 105
BEAD		4		W/3 - 108
BEAD		4		H - 235
VG565/VG566		4		H - 195
VG52		2		W - 104
VG52		2		H - 104
VG53		1		W - 94
VL72		1		W - 9
VG575		1		W/3 - 94.5
*VG514		2		W - (W3 + 69.5)
*VG514		1		H - 108

* Optional

GLASS SIZE	
3x	W/3 - 115
	H - 205

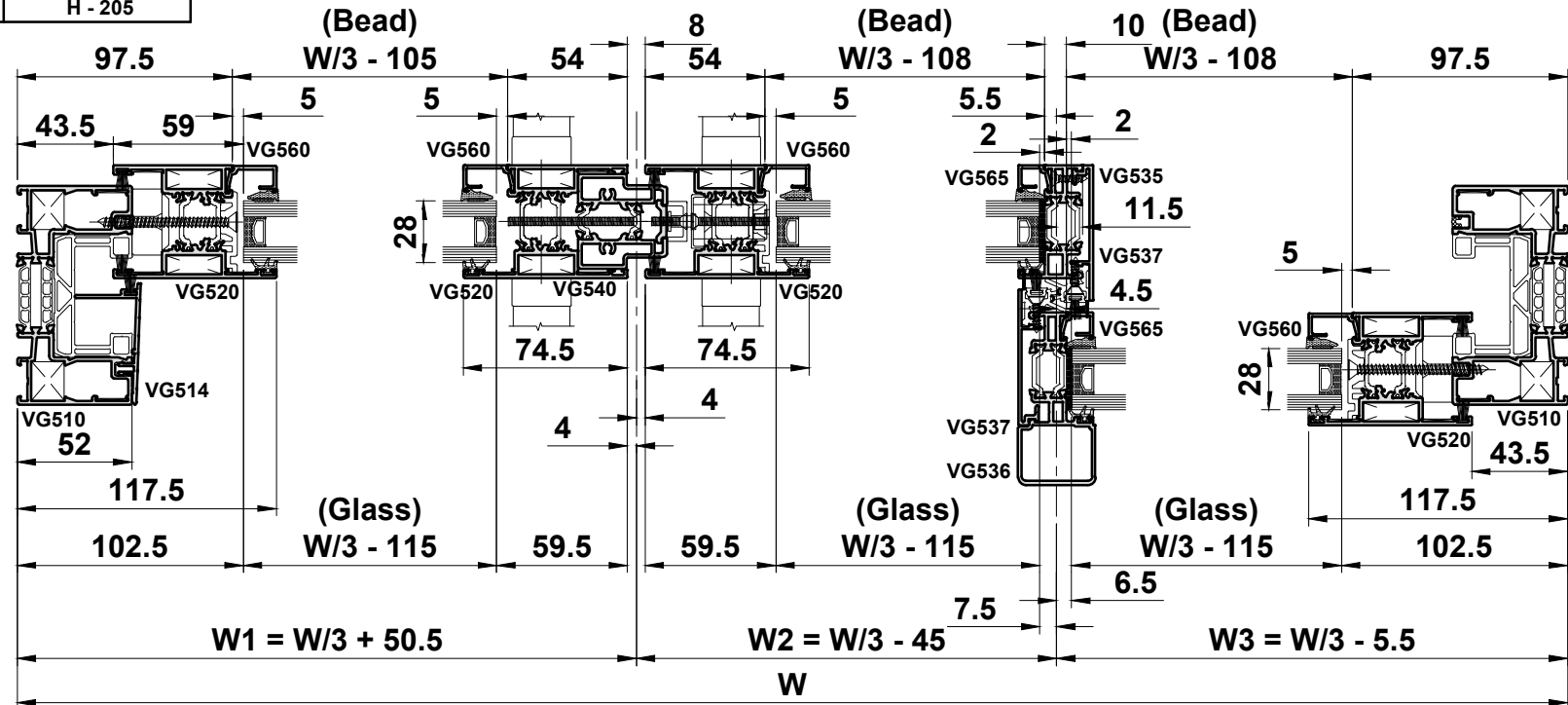
ACCESSORIES

ACGSL045		MAX 800 mm	Drainage Cap
ACSG012		16	Sash Cleat
ACUG830		2	Interlock Seal
ACUN348		2	Buffer
ACVG510		8	Outer Frame Cleats
ACVG520		32	Chevron
ACVG523		26	Lock Fixing Plates
ACVG528		4+	Sash Top Guide
ACVG529		1 Set of 4	Anti Lift Block/Guide
ACVG530		2 Pairs	Interlock Cover Cap
ACVG534		6+	Sash Drainage Spout
ACVG536		1 Pairs	End Caps
ACVG540		1	VG540 End Cap
ACVG544		12	Fixed Sash Support
ACVG545		2	Sash Guide
ACVG546		4	Interlock Anti-Lift Block
ACVG547		8	Fixing Bracket
ACVG555		2	Adjustable Rollers
ACVG559		14	Bridge Packer
ACVG571		4	Lock Fixing Support
ACVG575		2+	Support for VG575
ACVG580		1	Fixation Plate
ACVG81		1	Fixation Plate
ACVL059		1 Pair	VL72 End Cap
ACVL061		W/300 + 2	VL72/VL76 Rivet
ACVS033		9H + 6W	Woolpile
Ext. Glazing Gasket		6H + 2W - 1100	'E' Gasket
Int. Glazing Gasket		6H + 2W - 1100	Wedge Gasket



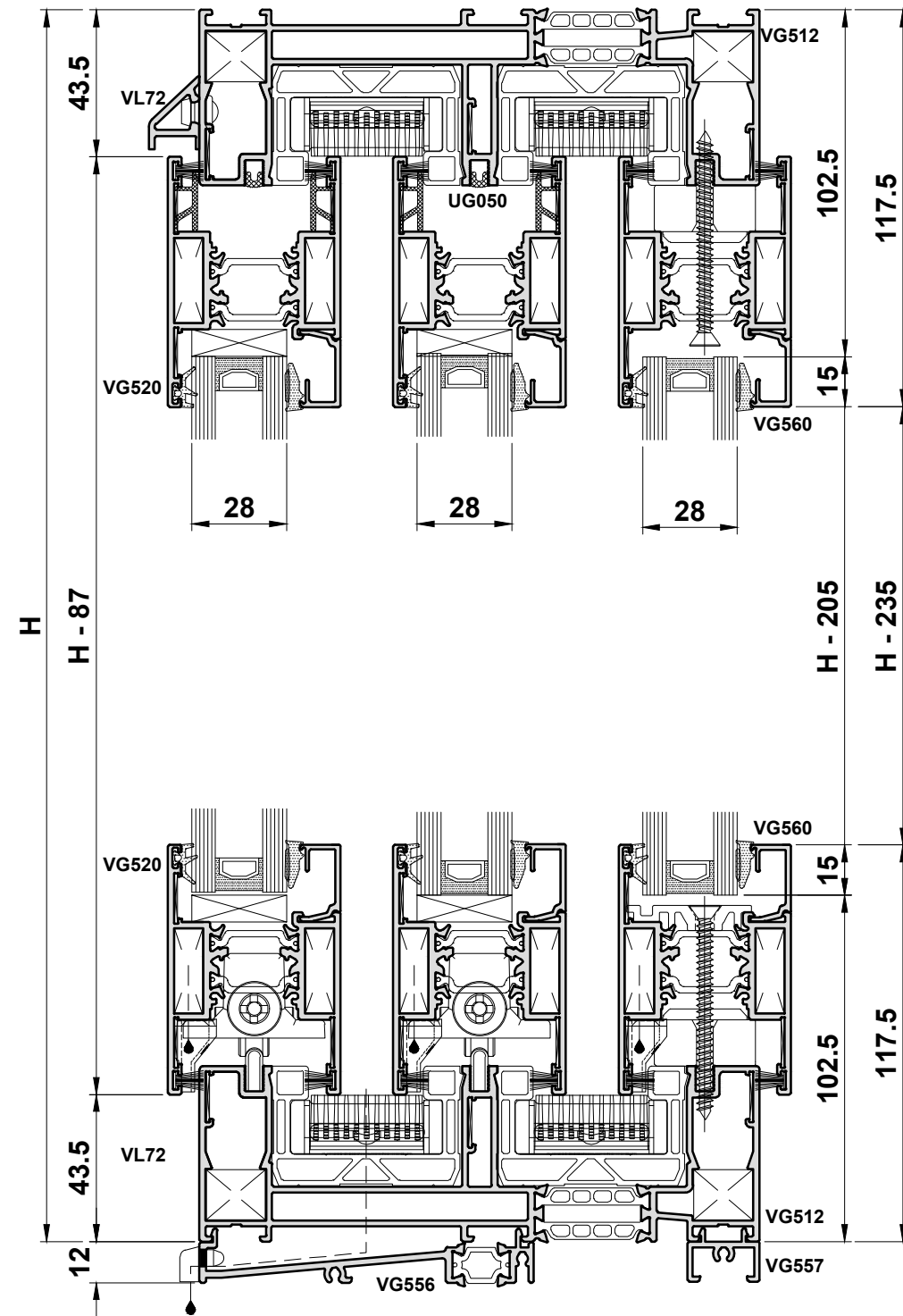
IMPORTANT NOTE:
Maximum Sash Weights:
Sliding Sashes = 250kg

*See section E for lock & handle selection



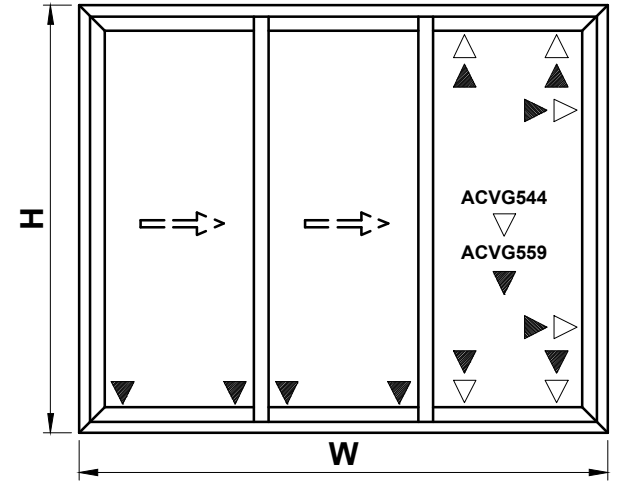
Do Not Scale From This Drawing

Cutting Information - Sliding with Slim Interlock



PROFILES			
VG512 (with UG050)		2	W
VG512 (with UG050)		2	H
VG520		2	W1 - 48.5
VG520		2	W1 - 48.5
VG520		2	W2 - 10
VG520		2	H - 87
VG535		2	H - 87
VG536		2	H - 87
VG537		4	H - 87
VG552N		4	H - 87
*VG556		1	W
*VG557		1	W
BEAD		4	W/3 - 103
BEAD		2	W2 - 10
BEAD		2	H - 235
VG565/VG566		4	H - 195
VG52		3	W - 104
VG52		6	H - 104
VG53		3	W - 94
VL72		1	W - 9
VG575		1	2W/3 - 121
VG575		1	W/3 - 188.5
*VG514		2	2W/3 - 102
*VG514		1	88° 88° H - 108
*VG515		2	W/3 - 38
*VG515		1	88° 88° H - 112

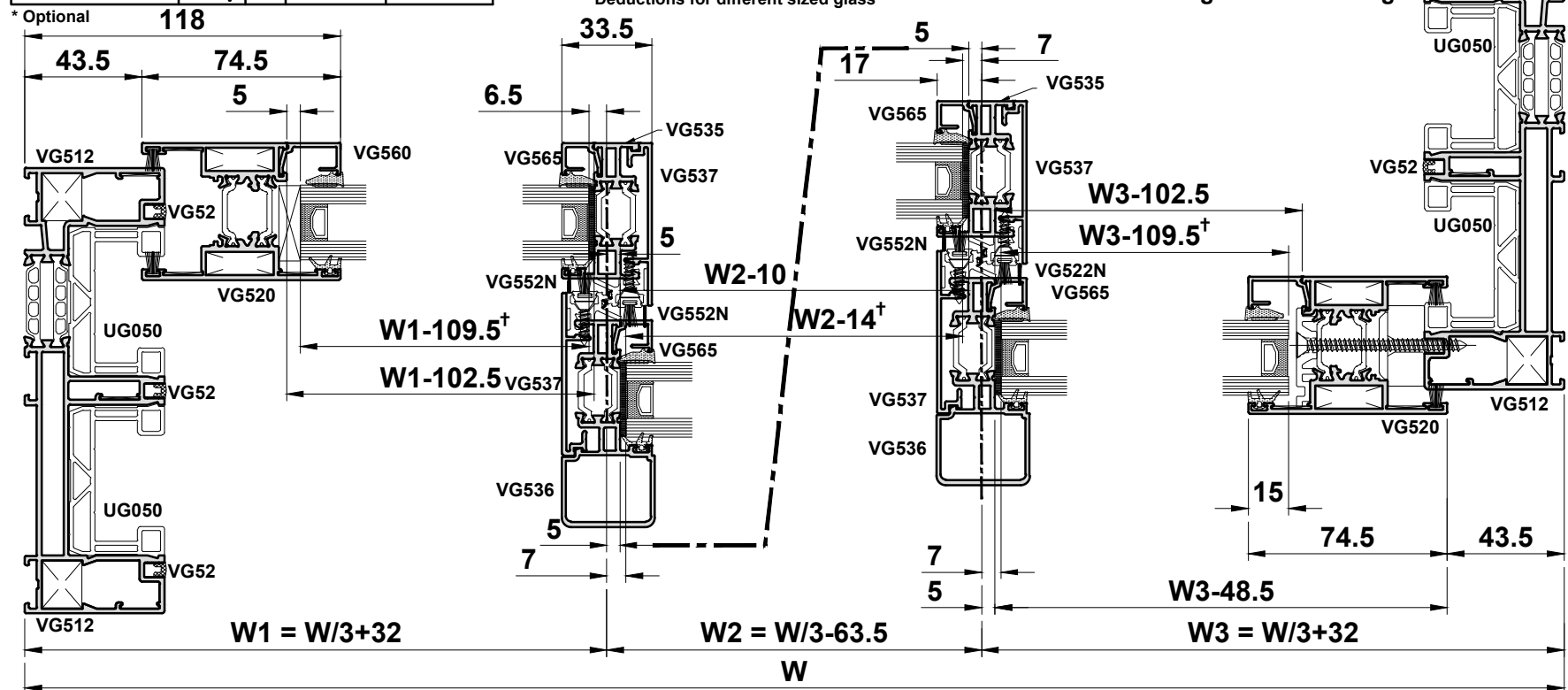
ACCESSORIES			
ACGSL045		MAX 500 mm	Drainage Cap
ACSG012		8	Sash Cleat
ACUG830		4	Interlock Seal
ACUN348		4	Buffer
ACVG510		8	Outer Frame Cleats
ACVG520		24	Chevron
ACVG523		13	Lock Fixing Plates
ACVG528		8+	Sash Top Guide
ACVG529		2 Set of 4	Anti Lift Block/Guide
ACVG530		4 Pairs	Interlock Cover Cap
ACVG534		6+	Sash Drainage Spout
ACVG535		1 Pair	End Cap with Upstand
ACVG536		1 Pair	Flat End Caps
ACVG544		6	Fixed Sash Support
ACVG546		8	Interlock Anti-Lift Block
ACVG547		16	Fixing Bracket
ACVG555		4	Adjustable Rollers
ACVG556		1 Pair	VG556 End Cap
ACVG559		10	Bridge Packer
ACVG575		4+	Support for VG575
ACVL059		1 Pair	VL72 End Cap
ACVL061		W/300 + 2	VL72/VL76 Rivet
ACVS033		8H + 6W	Woolpile
Ext. Glazing Gasket		6H + 2W - 1300	'E' Gasket
Int. Glazing Gasket		6H + 2W - 1300	Wedge Gasket



GLASS SIZE	
3x	W/3 - 77.5
	H - 205

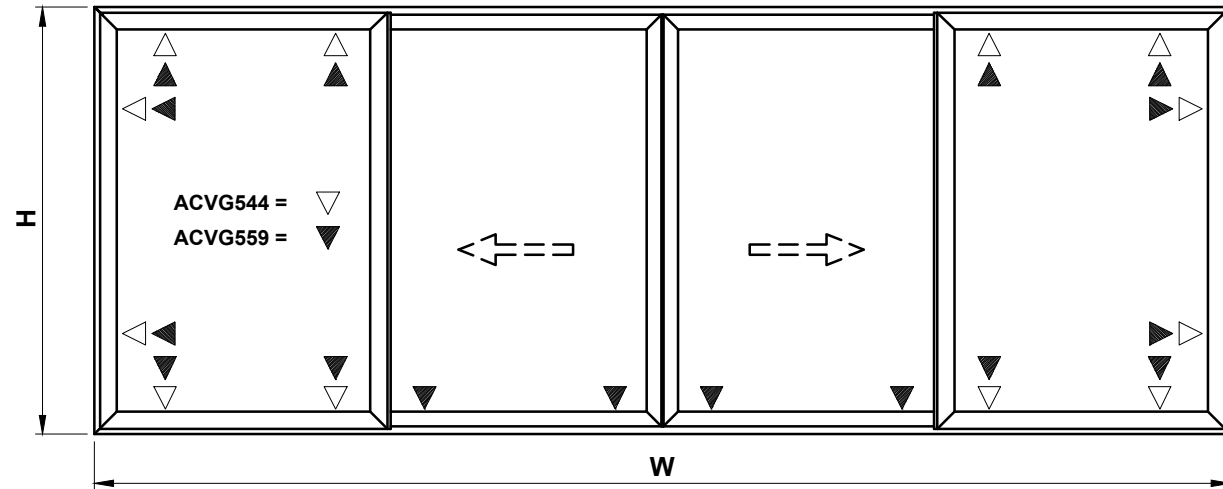
IMPORTANT NOTE:

Maximum Sash Weights:
Sliding Sashes = 250kg



Do Not Scale From This Drawing

Cutting Information - Sliding

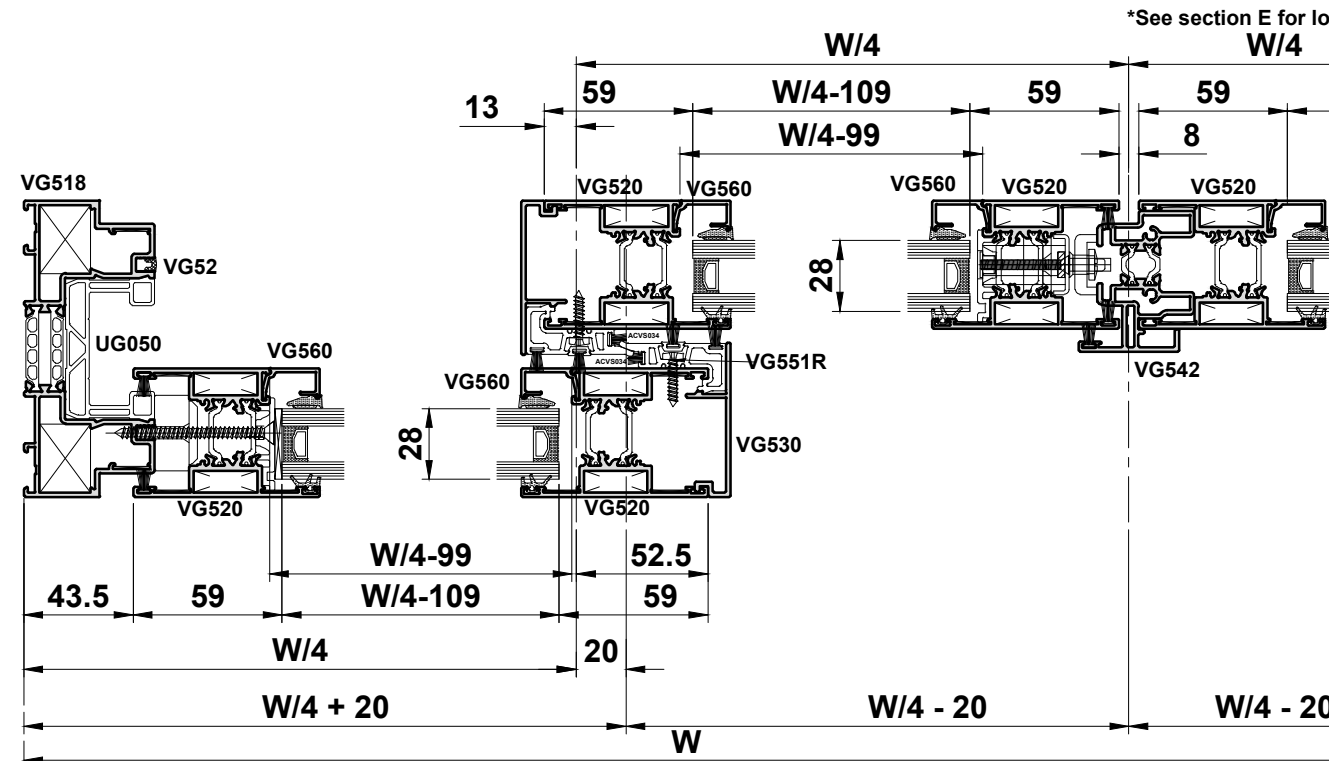
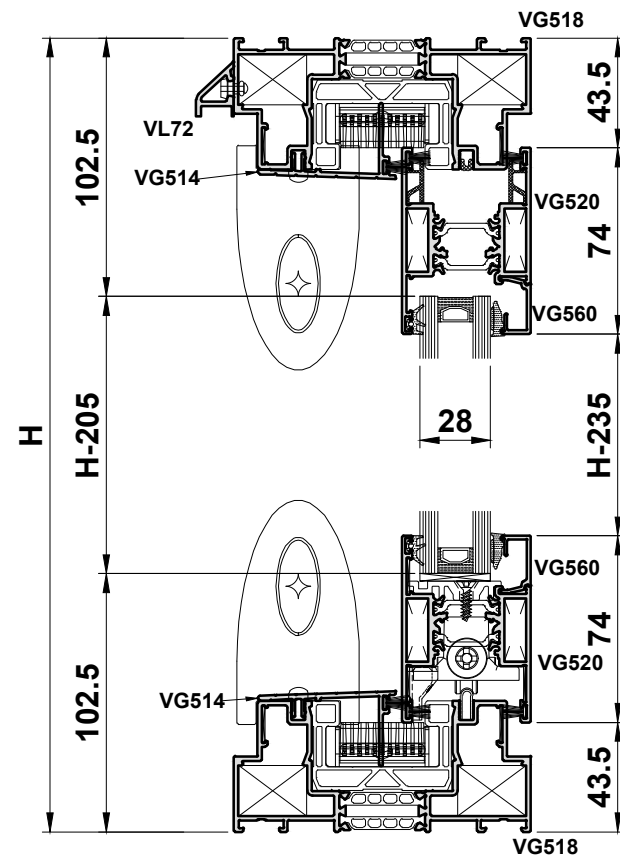


PROFILES			
VG518 (with UG050)		2	W
VG518 (with UG050)		2	H
VG520		8	W/4 + 8.75
VG520		8	H - 87
VG530		4	H - 87
VG551R		4	H - 87
VG586		4	H - 87
VG542		1	H - 87
BEAD		8	W/4 - 99.25
BEAD		8	H - 235
VG53		1	W - 94
VG52		1	W - 104
VG52		2	W/2 - 60
VG52		3	H - 92
VL72		1	W - 9
VG575		2	W/4 - 69
*VG514		2	W/2 - 122.5

* Optional

ACCESSORIES		
ACGSL045		Drainage Cap
ACSG012	32	Sash Cleat
ACUG830	4	Interlock Seal
ACUN348	4	Buffer
ACVG520	56	Chevron
ACVG523	26	Lock Fixing Plates
ACVG528	8+	Sash Top Guide
ACVG529	2 Set of 4	Anti Lift Block/Guide
ACVG530	4 Pairs	Interlock Cover Cap
ACVG534	8+	Sash Drainage Spout
ACVG543	1 Pair	VG542 End Caps
ACVG544	12	Sash Supports
ACVG545	2	Meeting Stile Guide
ACVG555	4	Adjustable Rollers
ACVG559	16	Bridge Packer
ACVG571	4	Lock Fixing Support
ACVG575	4+	Support for VG575
ACVG580	1	Fixation Plate
ACVG617(S)	8	Outer Frame Cleat
ACVG81	1	Fixation Plate
ACVL059	1 Pair	VL72 End Cap
ACVL061	W/300 + 2	VL72/VL76 Rivet
ACVS033	15H + 5W - 500	Woolpile
ACVS034	4H	VG551R Woolpile
Ext. Glazing Gasket	8H + 2W - 1300	'E' Gasket
Int. Glazing Gasket	8H + 2W - 1300	Wedge Gasket

GLASS SIZE	
4x	W/4 - 109
	H - 205

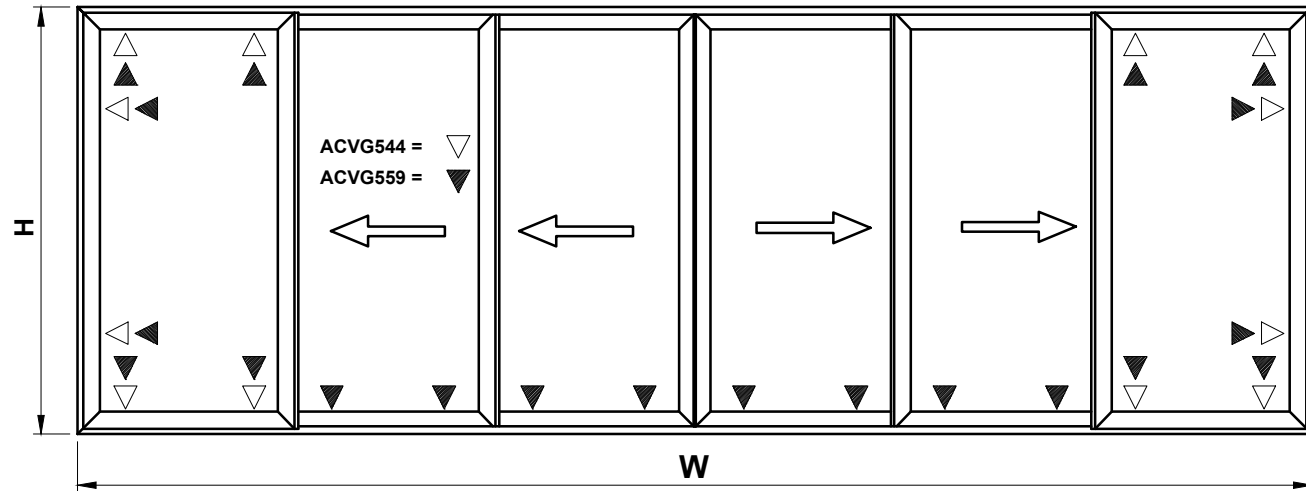


*See section E for lock & handle selection

IMPORTANT NOTE:
Maximum Sash Weights:
Sliding Sashes = 250kg

Do Not Scale From This Drawing

Cutting Information - Sliding



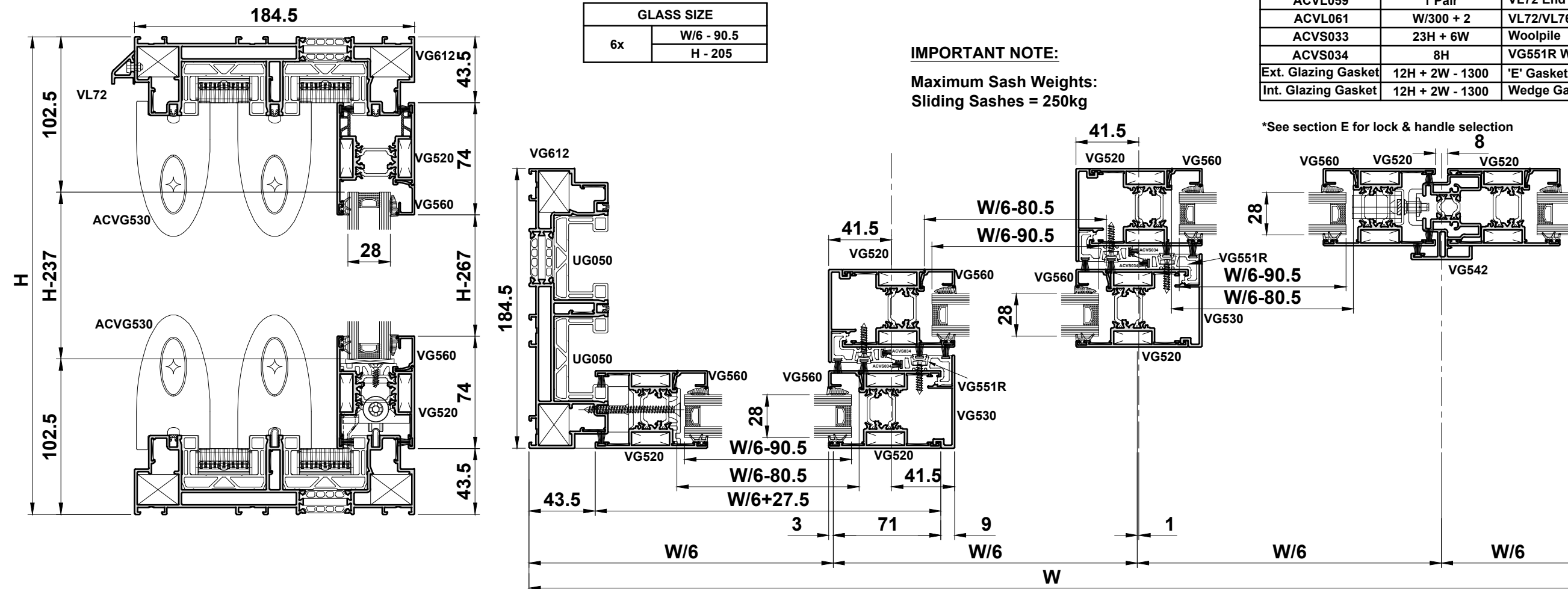
PROFILES			
VG612 (with UG050)		2	W
VG612 (with UG050)		2	H
VG520		12	W/6 + 27.5
VG520		12	H - 87
VG530		8	H - 87
VG551R		8	H - 87
VG586		8	H - 87
VG542		1	H - 87
BEAD		12	W/6 - 80.5
BEAD		12	H - 235
VG53		2	W - 94
VG52		2	W - 104
VG52		2	2W/3 - 97.6
VG52		4	H - 92
VL72		1	W - 9
VG575		2	W/3 - 88
VG575		2	W/6 - 50.5
*VG514		2	2W/3 - 160
*VG515		2	W/3 - 85

ACCESSORIES		
ACGSL045		Drainage Cap
ACSG012	48	Sash Cleat
ACUG830	8	Interlock Seal
ACUN348	8	Buffer
ACVG520	80	Chevron
ACVG523	26	Lock Fixing Plates
ACVG528	16+	Sash Top Guide
ACVG529	4 Set of 4	Anti Lift Block/Guide
ACVG530	8 Pairs	Interlock Cover Cap
ACVG534	12+	Sash Drainage Spout
ACVG543	1 Pair	VG542 End Caps
ACVG544	12	Sash Supports
ACVG545	2	Meeting Stile Guide
ACVG555	8	Adjustable Rollers
ACVG559	20	Bridge Packer
ACVG571	4	Lock Fixing Support
ACVG575	8+	Support for VG575
ACVG580	1	Fixation Plate
ACVG617(S)	8	Outer Frame Cleat
ACVG81	1	Fixation Plate
ACVL059	1 Pair	VL72 End Cap
ACVL061	W/300 + 2	VL72/VL76 Rivet
ACVS033	23H + 6W	Woolpile
ACVS034	8H	VG551R Woolpile
Ext. Glazing Gasket	12H + 2W - 1300	'E' Gasket
Int. Glazing Gasket	12H + 2W - 1300	Wedge Gasket

* Optional

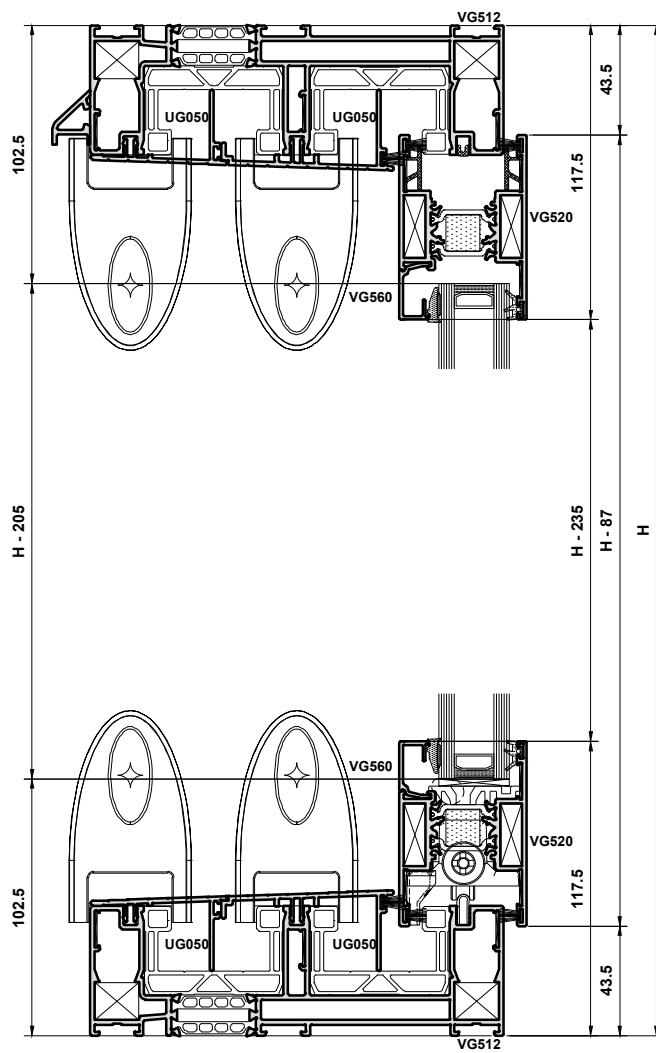
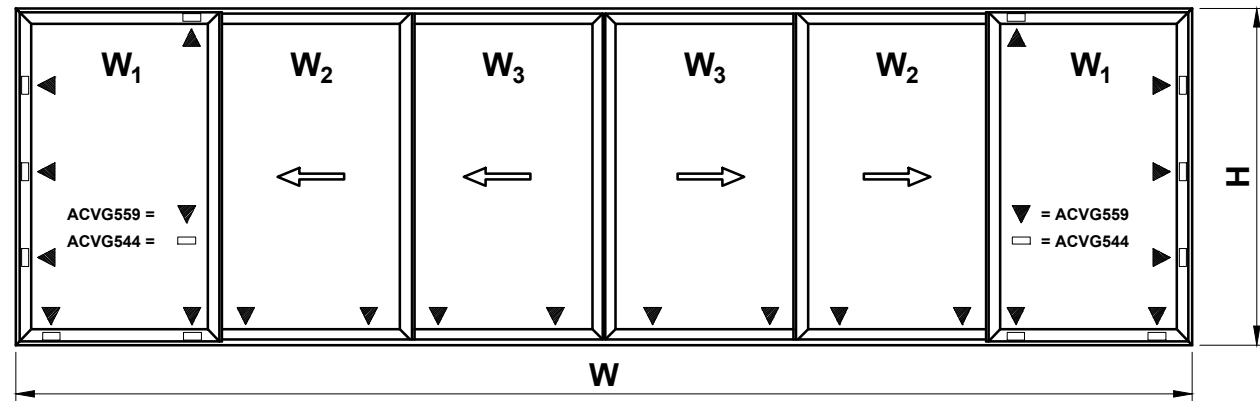
IMPORTANT NOTE:

Maximum Sash Weights:
Sliding Sashes = 250kg



Do Not Scale From This Drawing

Cutting Information - Sliding with Slim Interlock



PROFILES

VG512 (with UG050)	2	W
VG512 (with UG050)	2	H
VG520 (W ₁)	4	W/6 - 3.5
VG520 (W ₂)	4	W/6 - 60.5
VG520 (W ₃)	4	W/6 - 3.5
VG520	4	H - 87
VG537	8	H - 87
VG535	4	H - 87
VG536	4	H - 87
VG552N	8	H - 87
VG540	1	H - 87
BEAD (W ₁)	4	W/6 - 57.5
BEAD (W ₂)	4	W/6 - 60.5

PROFILES (Continued)

BEAD (W ₃)	4	W/6 - 57.5
BEAD	12	H - 235
VG53	2	W - 94
VG52	2	W - 104
VG52	2	2W/3 - 97.6
VG52	4	H - 92
VL72	1	W - 9
VG575	2	W/3 - 94.5
VG575	2	W/6 - 44
*VG514	2	2W/3 - 126
*VG515	2	W/3 - 25

* Optional

ACCESSORIES

ACGSL045	MAX 900 mm	Drainage Cap
ACSG012	16	Sash Cleat
ACUG830	8	Interlock Seal
ACUN348	8	Buffer
ACVG509/510	8	Outer Frame Cleats
ACVG520	36	Chevron
ACVG523	26	Lock Fixing Plates
ACVG528	16+	Sash Top Guide
ACVG529	4 Set of 4	Anti Lift Block/Guide
ACVG530	8 Pairs	Interlock Cover Cap
ACVG534	12+	Sash Drainage Spout
ACVG535	2 Pairs	End Cap with Upstand
ACVG536	2 Pairs	Flat End Cap

ACCESSORIES (Continued)

ACVG540	1 Pair	End Cap for VG540
ACVG544	12	Sash Supports
ACVG545	2	Meeting Stile Guide
ACVG546	16	Interlock Anti-Lift Block
ACVG547	32	Fixing Bracket
ACVG555	8	Adjustable Rollers
ACVG559	20	Bridge Packer
ACVG571	4	Lock Fixing Support
ACVG575	8+	Support for VG575
ACVG580	1	Fixation Plate
ACVG81	1	Fixation Plate
ACVL059	1 Pair	VL72 End Cap
ACVL061	W/300 + 2	VL72/VL76 Rivet
ACVS033	14H + 6W	Woolpile
Ext. Glazing Gasket	12H + 2W - 1300	'E' Gasket
Int. Glazing Gasket	12H + 2W - 1300	Wedge Gasket

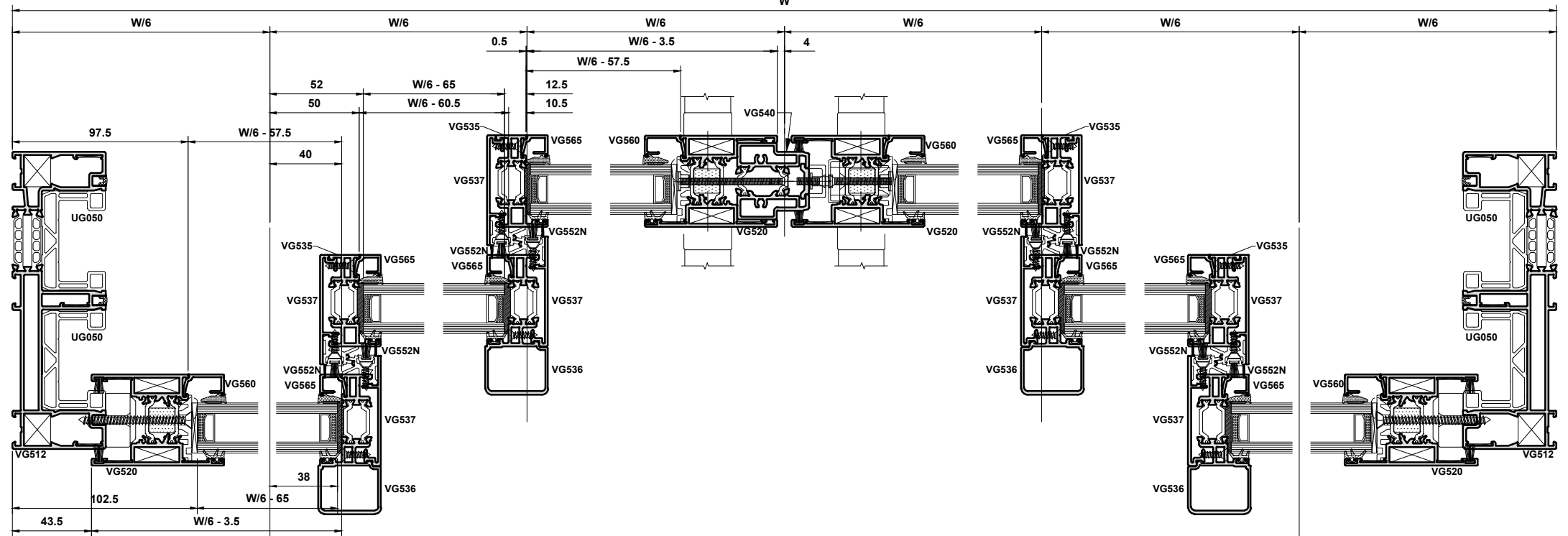
*See section E for lock & handle selection

GLASS SIZE

6x	W/6 - 65
	H - 205

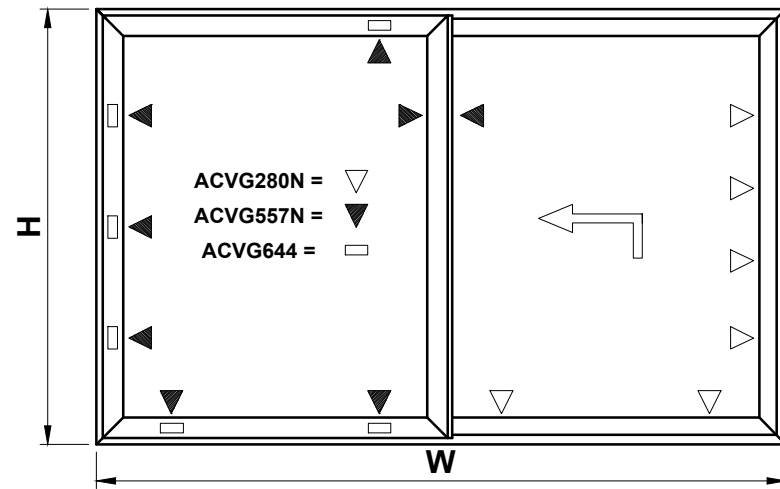
IMPORTANT NOTE:

Maximum Sash Weights:
Sliding Sashes = 250kg



Do Not Scale From This Drawing

Cutting Information - Sobinco Lift and Slide



PROFILES

VG518 (with UG050)		2		W
VG518 (with UG050)		2		H
VG521N		4		W/2 - 3
VG521N		4		H - 87
VG530		2		H - 87
VG553N		2		H - 87
UG852		2		H - 87
BEAD		4		W/2 - 143
BEAD		4		H - 267
VG53		1		W - 94
VG52		1		W - 104
VG52		2		W/2 - 70.5
VG52		2		H - 92
VL72		1		W - 9
VG575		1		W/2 - 89
*VG514		1		H - 108
*VG514		2		W/2 - 93.5

*Optional

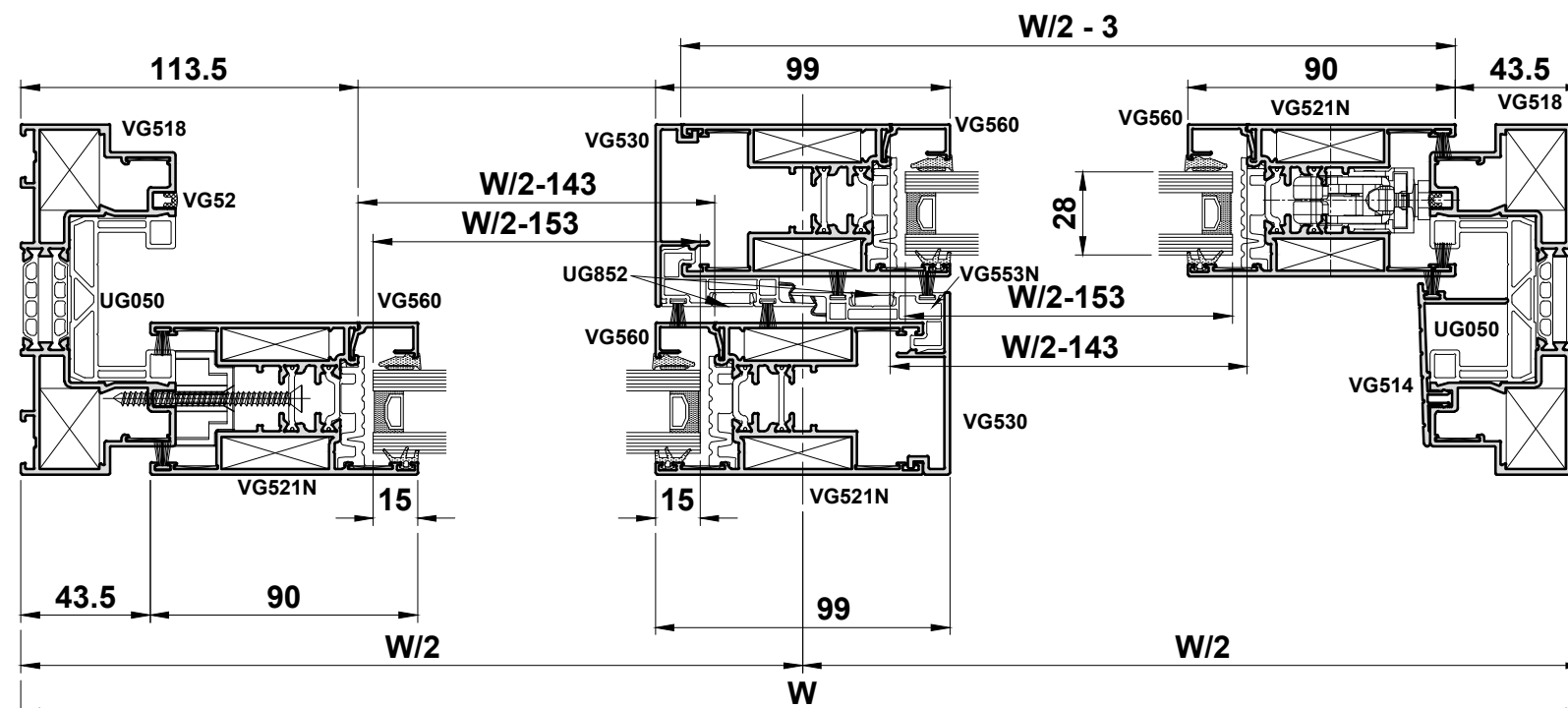
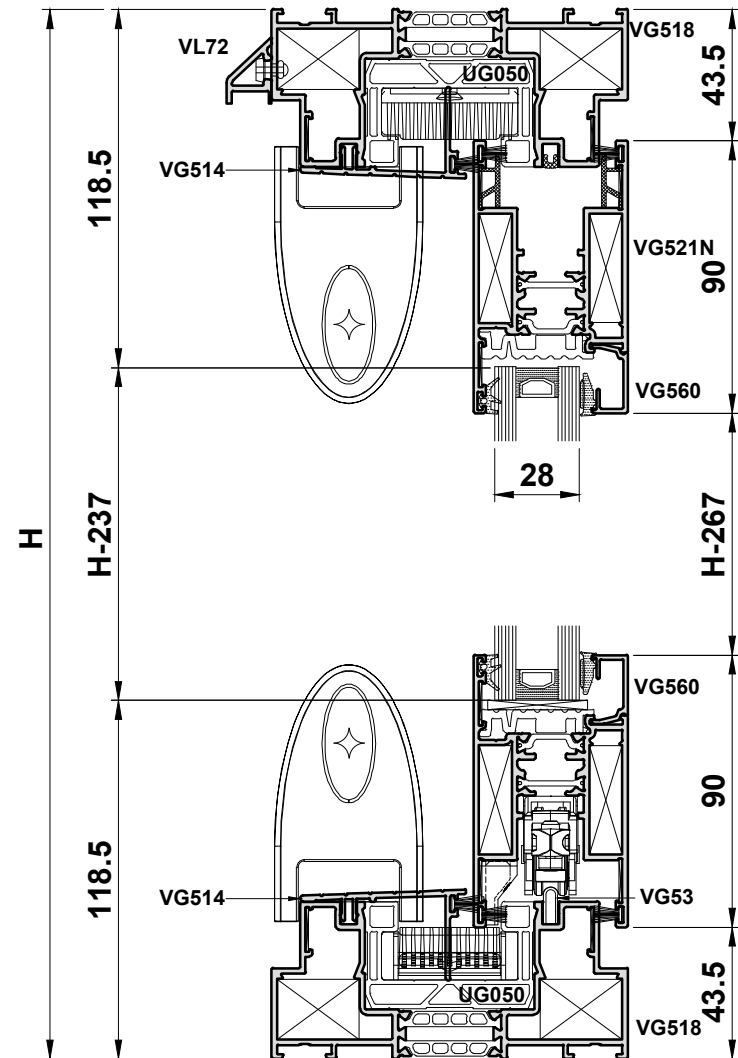
ACCESSORIES

ACGSL045		MAX 800 mm	Drainage Cap
ACUG830		1	Interlock Seal
ACUG831		1	Interlock Seal
ACUN348		2	Buffer
ACVG269...273*		1	Connecting Rods
ACVG277...279*		1	Lift and Slide Lock
ACVG280N		1	Basic Lift and Slide Kit
ACVG520		32	Chevrons
ACVG521N(S)		16	VG521N Corner Cleat
ACVG528		4+	Top Guides
ACVG531		2 Pairs	Interlock Cover Cap
ACVG534		4+	Sash Drainage Spout
ACVG557N		8	Bridge Packer
ACVG575		2+	Support for VG575
ACVG617(S)		8	Outer Frame Cleat
ACVG644		6	VG521N Vent Support
ACVL059		1 Pair	VL72/VL76 Rivet
ACVL061		W/300 + 2	VL72/VL76 Rivet
ACVS033		9H + 5W	Woolpile
Ext. Glazing Gasket		4H + 2W - 1500	'E' Gasket
Int. Glazing Gasket		4H + 2W - 1500	Wedge Gasket

*See Section B for connecting rod and lock length requirements
*See section E for lock & handle selection

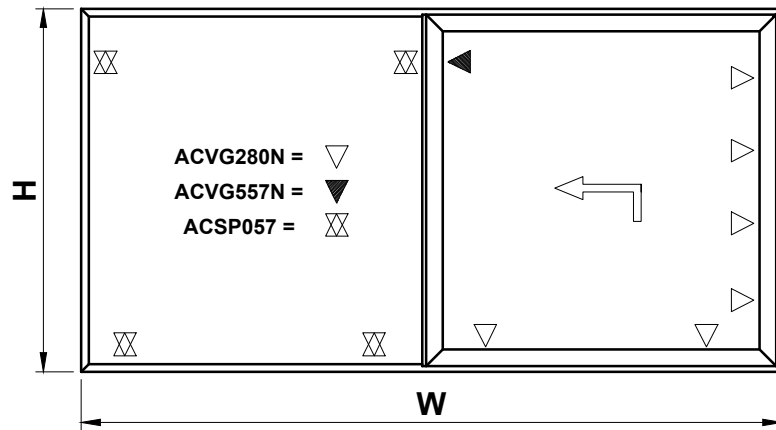
GLASS SIZE	
2x	W/2 - 153
	H - 237

IMPORTANT NOTE:
Maximum Sash Weights:
Lift & Slide = 200kg



Do Not Scale From This Drawing

Cutting Information - Sobinco Lift and Slide



IMPORTANT NOTE:
Maximum Sash Weights:
Lift & Slide = 200kg

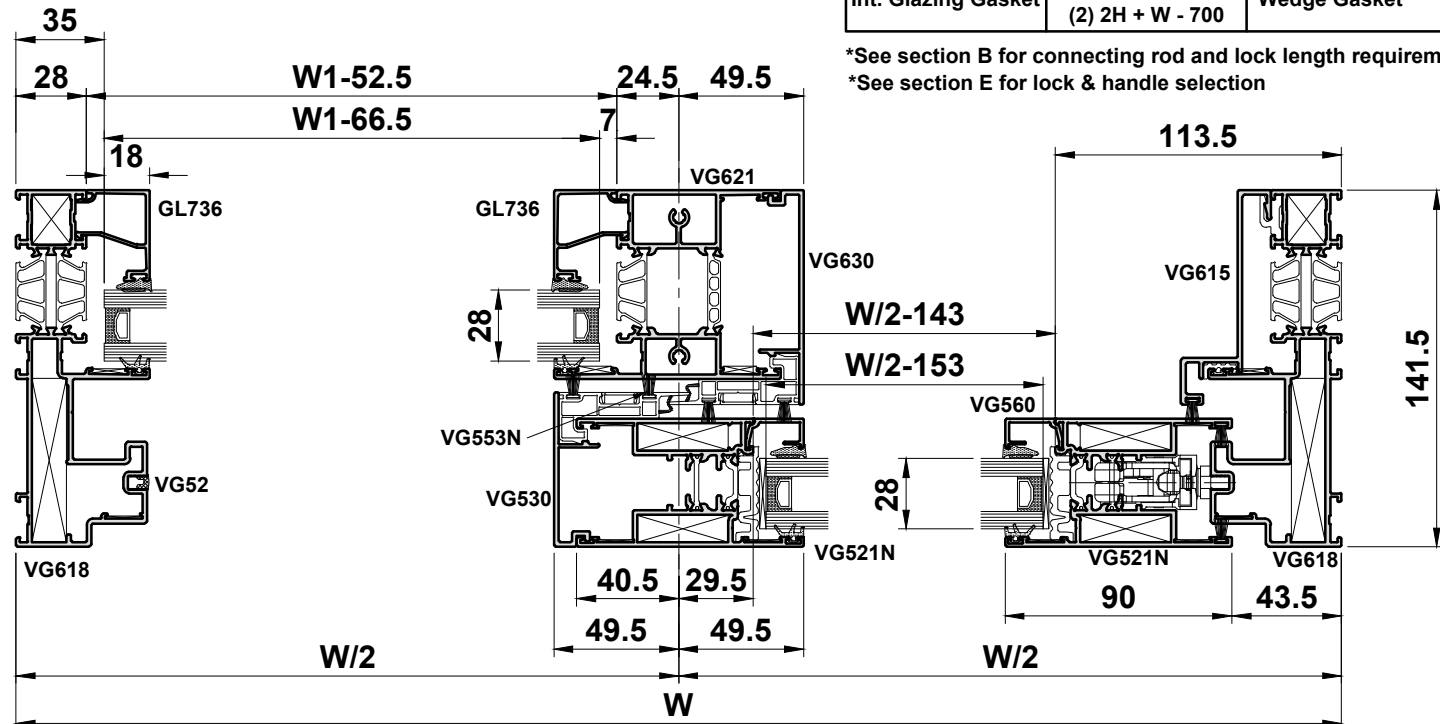
PROFILES

VG618		2		W
VG618		2		H
VG521N		2		W/2 - 3
VG521N		2		H - 87
VG621		1		H - 56
VG530		1		H - 87
VG630		1		H - 56
VG553N		2		H - 87
UG852		2		H - 87
VG615		1		W/2 - 77.5
VG615		1		H - 56
VG616		1		W/2 - 91
VG5XX		2		W/2 - 143
VG5XX		2		H - 267
GL7XX		2		W / 2 - 52.5
GL7XX		2		H - 106
VG53		1		W - 94
VG52		1		W - 104
VG52		2		H - 92
VL72		1		W - 9

ACCESSORIES

ACEF010B	4	VG610/618 Corner Cleat
ACSG611B		
ACFT171	(H + W - 200) / 300	Clip-In Adaptor
ACGSL057	2	Storm Valve
ACSG631	H + W - 200	VG610/618 Interlock Seal
ACSP057	4	VG610/618 Glass Support
ACUG631	1	VG610/618 Interlock Seal
ACUG632	1	VG610/618 Interlock Seal
ACUN348	2	Buffer
ACVG269...273*	1	Connecting Rods
ACVG277...279*	1	Lift and Slide Lock
ACVG280N	1	Basic Lift and Slide Kit
ACVG45N		Drainage Cap
ACVG520	16	Chevron
ACVG521N(S)	8	VG521N Corner Cleat
ACVG528	4+	Top Guides
ACVG531	1 Pair	Interlock Cover Cap
ACVG534	4+	Sash Drainage Spout
ACVG557N	1	Bridge Packer
ACVG618(S)	4	VG618 Corner Cleat
ACVL020(B)	4	Chevron
ACVL029	6	Anti-Twist Clip
ACVL059	1	VL72 End Cap
ACVL061	W/300 + 2	Rivet
ACVS033	7H + 5W	Woolpile
Ext. Glazing Gasket	(1) 2H + W - 200 (2) 2H + W - 700	E-Gasket
Int. Glazing Gasket	(1) 2H + W - 200 (2) 2H + W - 700	Wedge Gasket

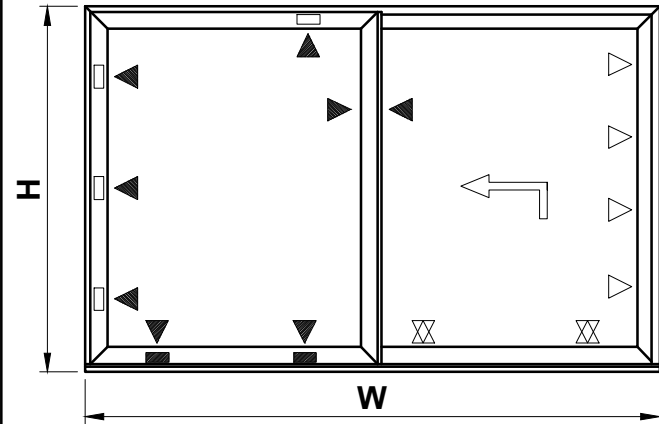
GLASS SIZE	
Fixed	W/2 - 66.5
1x	H - 70
Sash	W/2 - 153
1x	H - 237



*See section B for connecting rod and lock length requirements
*See section E for lock & handle selection

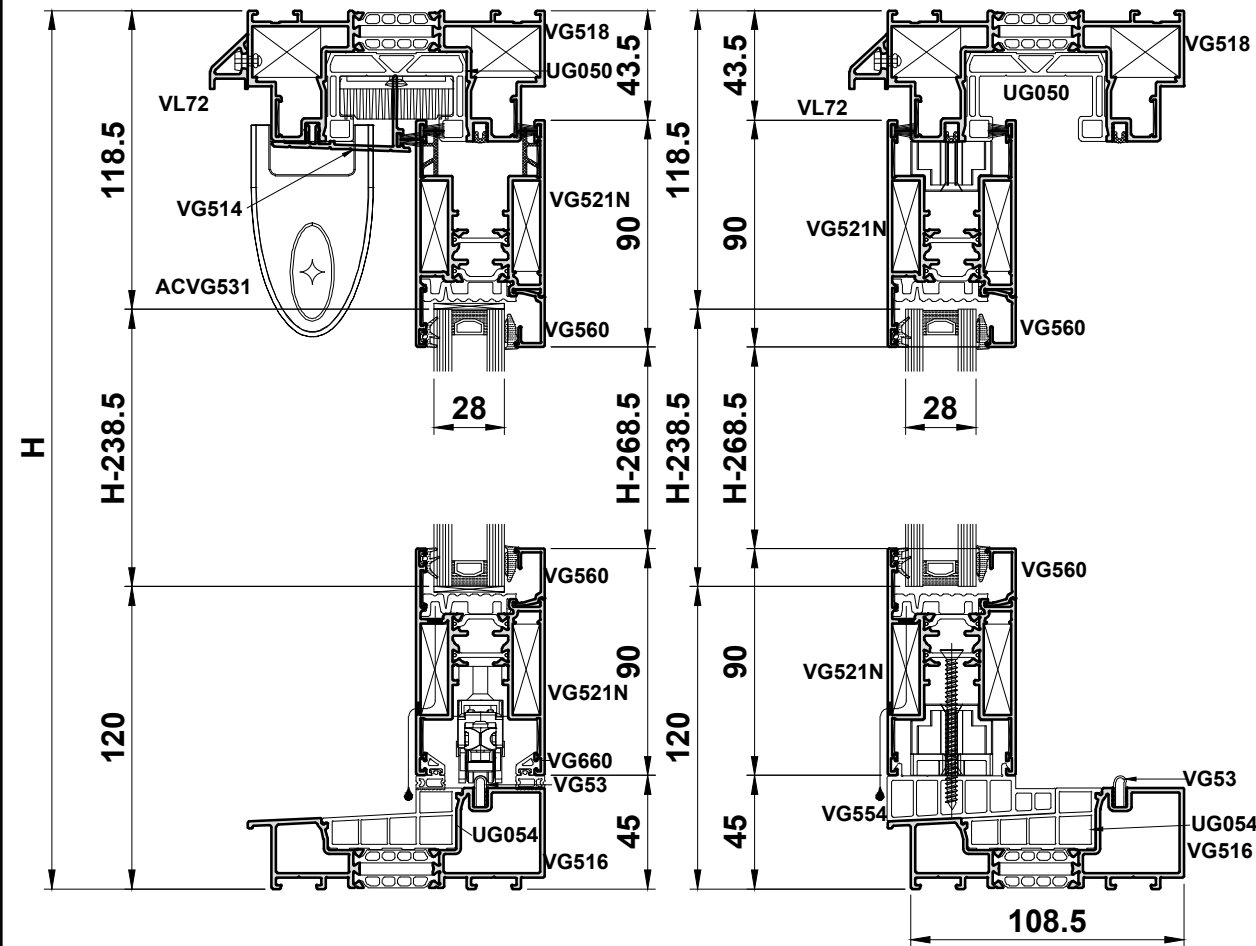
Do Not Scale From This Drawing

Cutting Information - Sobinco Lift and Slide



IMPORTANT NOTE:
Maximum Sash Weights:
Lift & Slide = 200kg

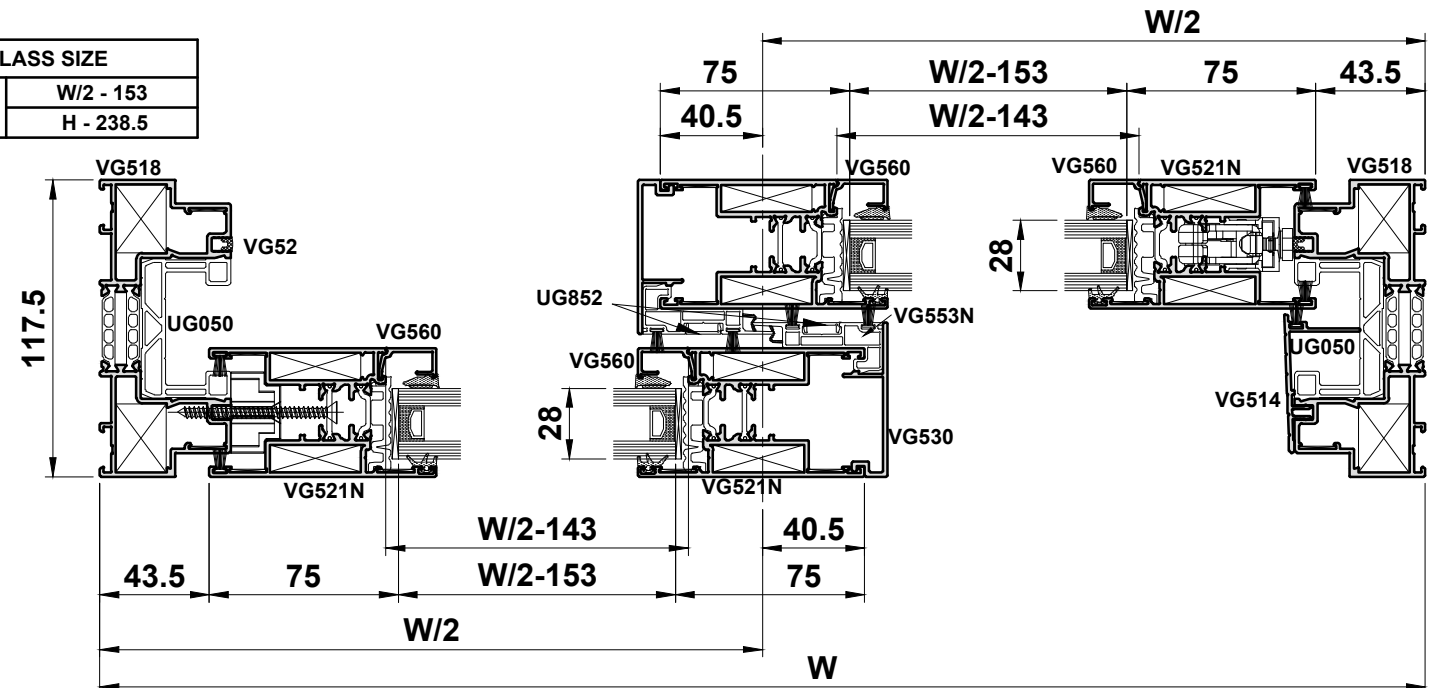
- ACVG280N = ▽
- ACVG280N & ACGV1282N = ⊗
- ACVG557N = ▾
- ACVG644 = □
- ACVG644 & ACGV645N = ■



PROFILES					
VG518 (with UG050)		1		W	
VG518 (with UG050)		1		H - 40	
VG518 (with UG050)		1		H - 40	
VG516		1		W	
UG054		1		W	
VG554		1		W/2 - 15.5	
VG521N		4		W/2 - 3	
VG521N		4		H - 88.5	
VG530		1		H - 70.5	87°
VG530		1		H - 88.5	
VG553N		1		H - 73.5	
VG553N		1		H - 88.5	
UG852		1		H - 73.5	
UG852		1		H - 88.5	
VG660		2		W/2 - 18	
BEAD		4		W/2 - 143	
BEAD		4		H - 268.5	
VG53		1		W - 94	
VG52		1		W/2 - 52	
VG52		2		W - 104	
VG52		1		H - 104	
VL72		1		W - 9	
*VG514		1		H - 80.7	87° 88°
*VG514		1		W/2 - 101.5	

*Optional

GLASS SIZE	
2x	W/2 - 153
	H - 238.5



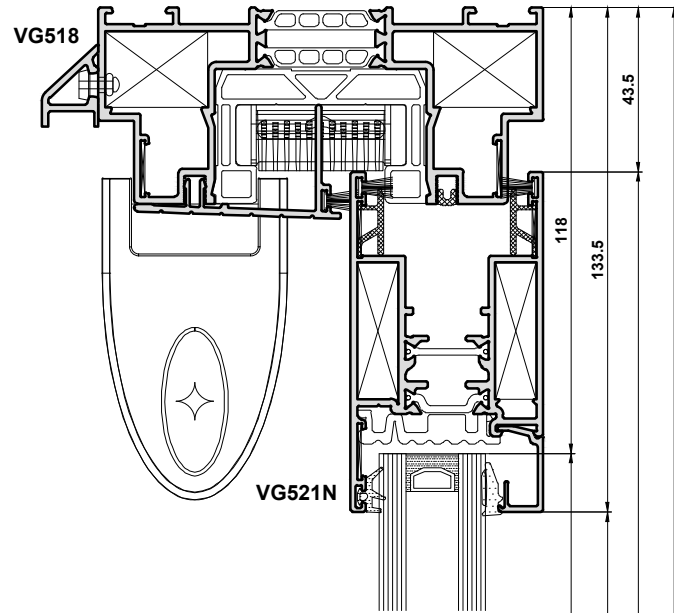
ACCESSORIES		
ACUG123L/R	1	VG516/UG050 Seal Piece
ACUG831	1	Interlock Seal
ACUN348	2	Buffer
ACVG269...273*	1	Connecting Rods
ACVG277...279*	1	Lift and Slide Lock
ACVG280N	1	Basic Lift and Slide Kit
ACVG1282N	2	Vent Support
ACVG515N	4	T. Bracket
ACVG516N	1	Support Pieces
ACVG518	1	VG516/530 End Cap
ACVG519	1	VG554 End Cap
ACVG520	28	Chevron
ACVG521N(S)	16	VG521N Corner Cleat
ACVG528	4+	Top Guides
ACVG531	1 Pair	Interlock Cover Cap
ACVG557N	8	Bridge Packer
ACVG617(S)	4	Outer Frame Cleat
ACVG644	6	VG521N Vent Support
ACVG645N	2	Vent Support
ACVL059	1	End Caps
ACVL061	W/300 + 2	Rivet
ACVS033	9H + (5 x W/2) - 150	Woolpile
Ext. Glazing Gasket	4H + 2W - 1300	'E' Gasket
Int. Glazing Gasket	4H + 2W - 1300	Wedge Gasket

*See section B for connecting rod and lock length requirements

*See section E for lock & handle selection

Do Not Scale From This Drawing

Cutting Information - Sobinco Lift and Slide



PROFILES

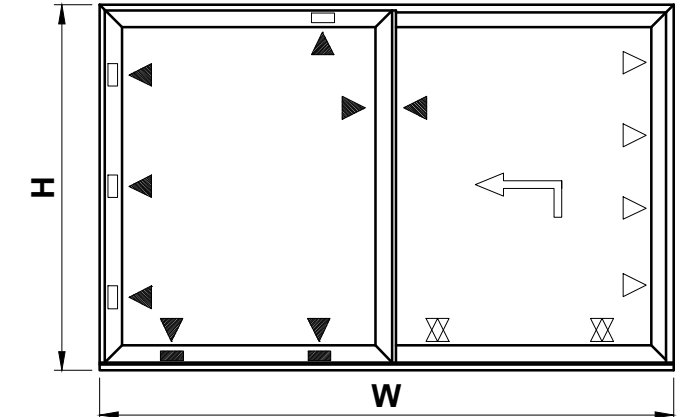
VG518 (with UG050)		2		W
VG518 (with UG050)		2		H
VG521N		4		W/2 - 48.5
VG521N		4		H - 87
VG537		2		H - 87
VG552N		2		H - 87
UG852		2		H - 87
BEAD		4		W/2 - 150.5
BEAD		4		H - 267
VG53		1		W - 94
VG52		1		W - 104
VG52		2		W/2 - 70.5
VG52		2		H - 92
VL72		1		W - 9
VG575		1		W/2 - 89
*VG514		1		H - 108
*VG514		2		W/2 - 69

*Optional

GLASS SIZE	
2x	W/2 - 125.5
	H - 236

ACCESSORIES

ACUG123L/R	1	VG516/UG050 Seal Piece
ACUG831	1	Interlock Seal
ACUN348	2	Buffer
ACVG269...273*	1	Connecting Rods
ACVG277...279*	1	Lift and Slide Lock
ACVG280N	1	Basic Lift and Slide Kit
ACVG1282N	2	Vent Support
ACVG515N	4	T. Bracket
ACVG516N	1	Support Pieces
ACVG518	1	VG516/530 End Cap
ACVG519	1	VG554 End Cap
ACVG520	28	Chevron
ACVG521N(S)	8	VG521N Corner Cleat
ACVG528	4+	Top Guides
ACVG531	2 Pairs	Interlock Cover Cap
ACVG534	4+	Sash Drainage Spout
ACVG536	1 Pair	Flat End Caps
ACVG548	8	Fixing Bracket
ACVG557N	8	Bridge Packer
ACVG575	2+	Support for VG575
ACVG617(S)	8	Outer Frame Cleat
ACVG644	6	VG521N Vent Support
ACVG645N	2	Vent Support
ACVL059	1	End Caps
ACVL061	W/300 + 2	Rivet
ACVS033	6H + 4W	Woolpile
Ext. Glazing Gasket	4H + 2W - 1485	'E' Gasket
Int. Glazing Gasket	4H + 2W - 1485	Wedge Gasket



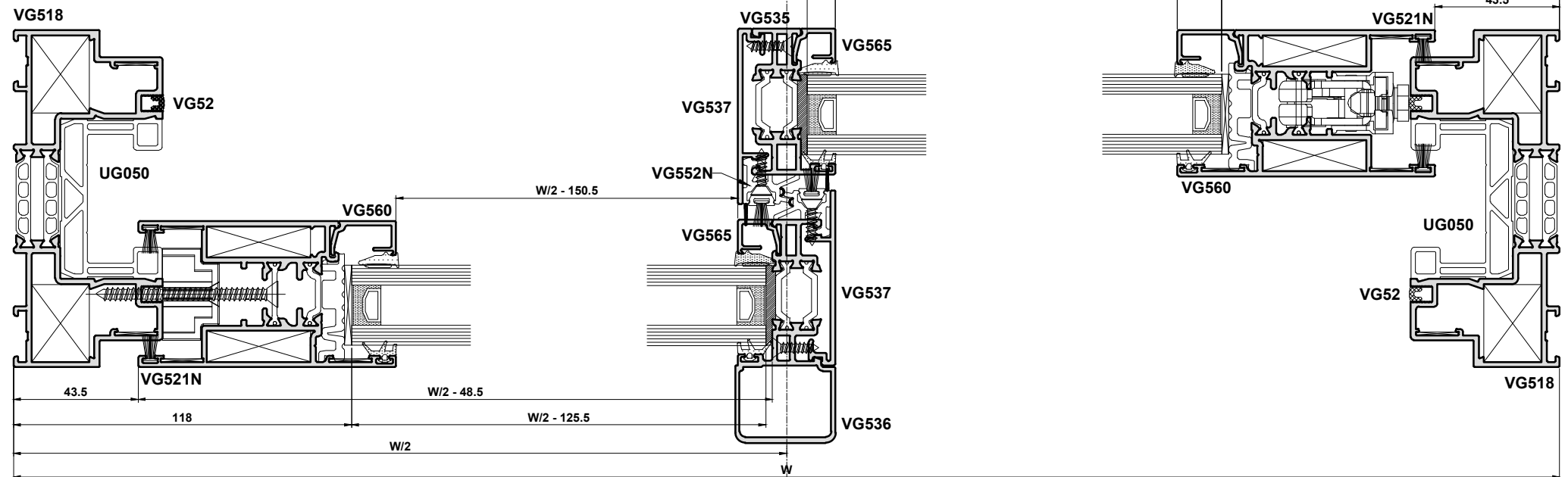
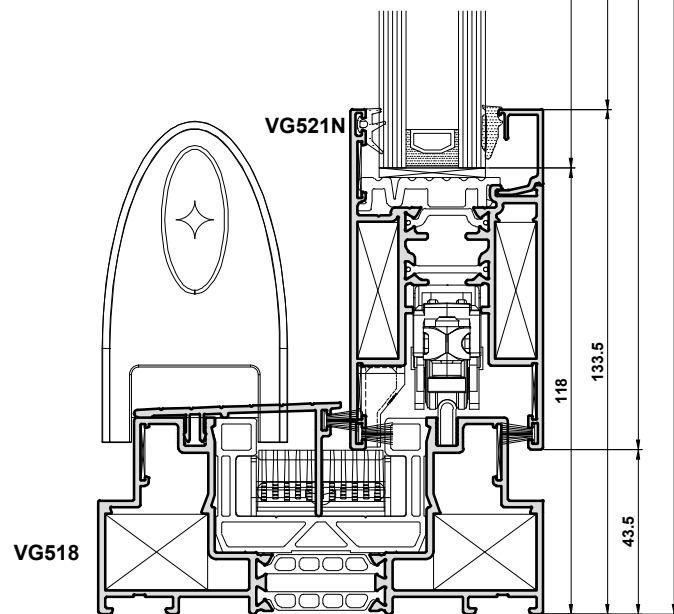
IMPORTANT NOTE:

Maximum Sash Weights:
Lift & Slide = 200kg

- ACVG280N =
- ACVG280N & ACGV1282N =
- ACVG557N =
- ACVG644 =
- ACVG644 & ACGV645N =

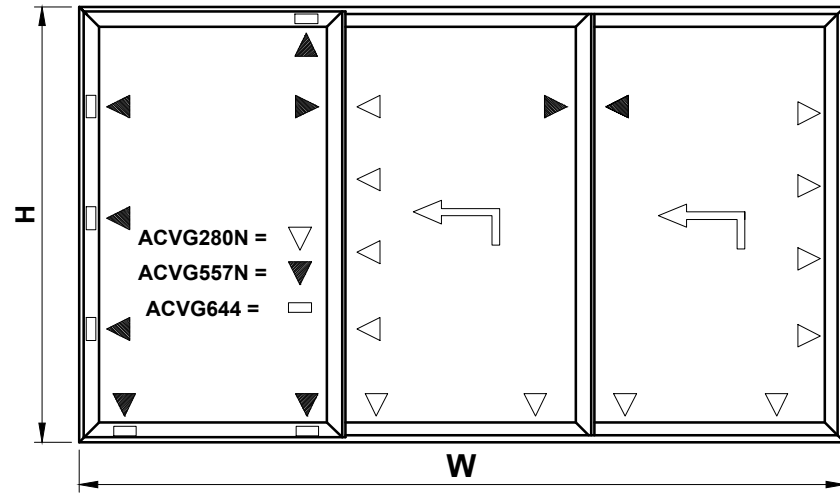
*See section B for connecting rod and lock length requirements

*See section E for lock & handle selection



Do Not Scale From This Drawing

Cutting Information - Sobinco Lift and Slide



PROFILES

VG612 (with UG050)		2		W
VG612 (with UG050)		2		H
VG521N		6		W/3 + 25
VG521N		6		H - 87
VG530		4		H - 87
VG553N		4		H - 87
UG852		4		H - 87
BEAD		6		W/3 - 135
BEAD		6		H - 267
VG53		2		W - 94
VG52		2		W - 104
VG52		2		2W/3 - 98.5
VG52		5		H - 92
VL72		1		W - 9
VG575		1		2W/3 - 117
VG575		1		W/3 - 61
*VG514		2		2W/3 - 129.5
*VG514		1		H - 108
*VG515		2		W/3 - 73.5
*VG515		1		H - 108

*Optional

GLASS SIZE

3x	W/3 - 125
	H - 237

ACCESSORIES

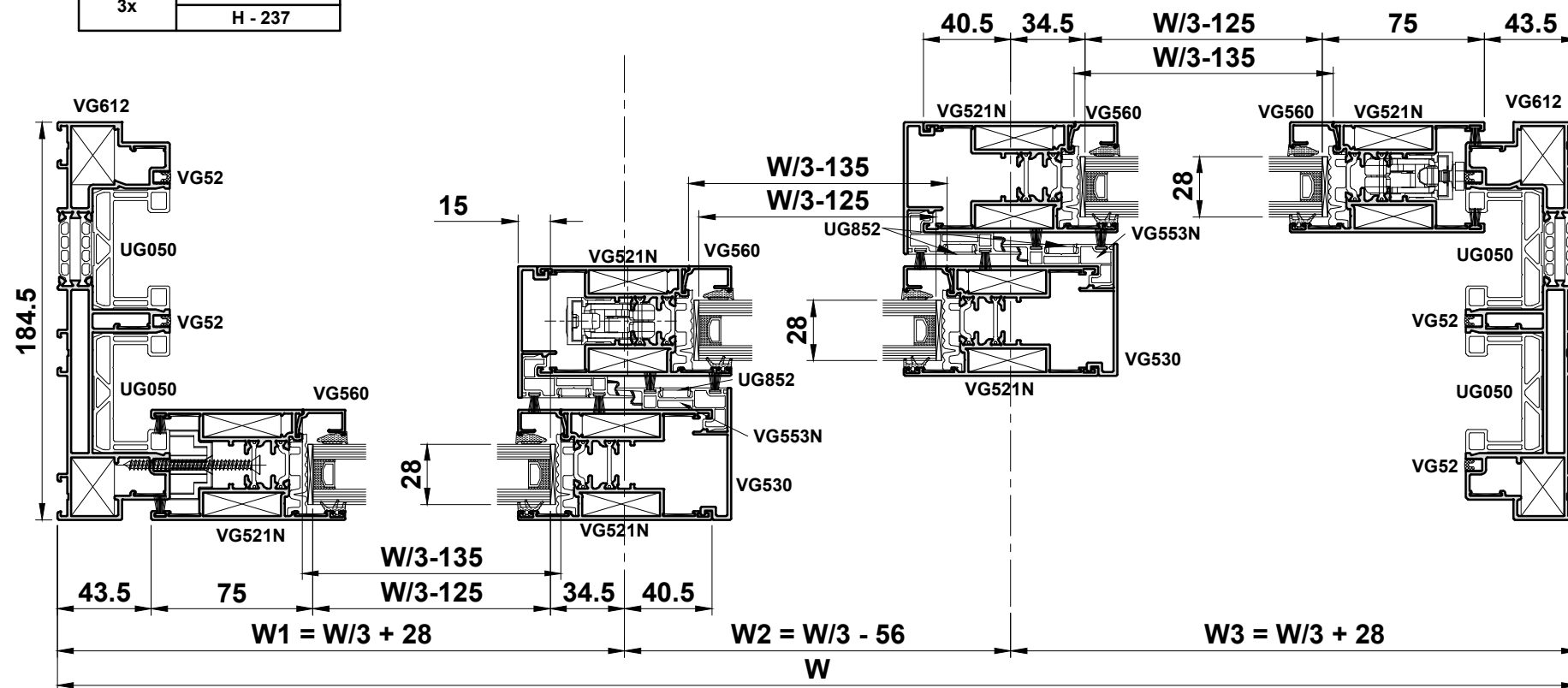
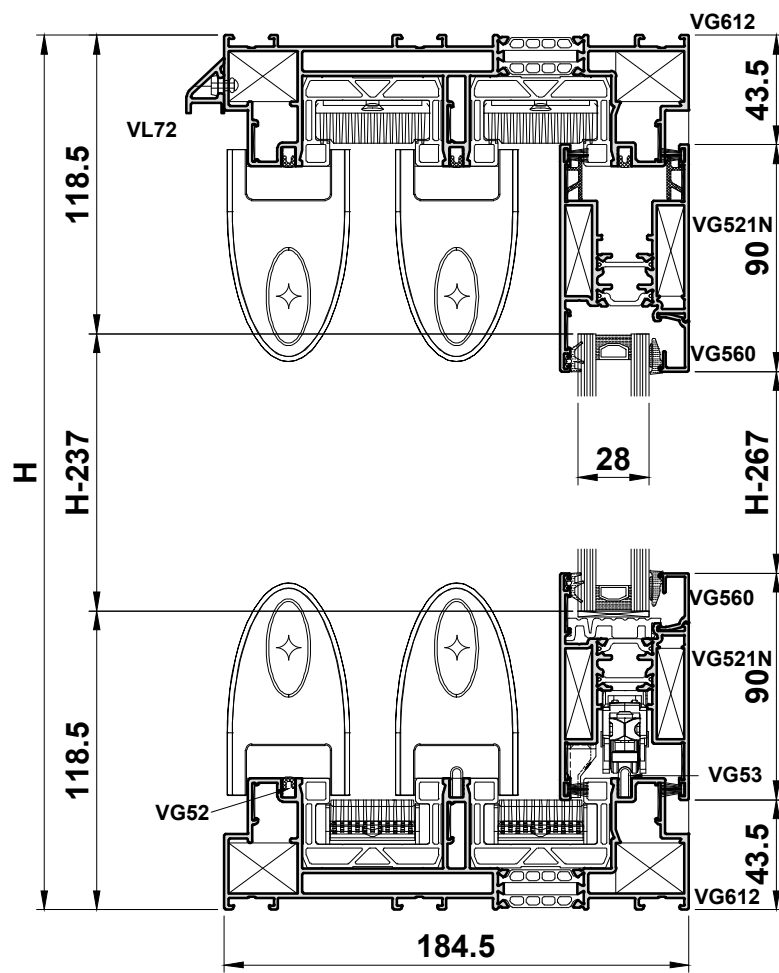
ACUG830	2	Bottom Interlock Seal
ACUG831	2	Top Interlock Seal
ACUN348	4	Buffer
ACVG269...273*	2	Connecting Rods
ACVG277...279*	2	Lift and Slide Lock
ACVG280N	2	Basic Lift and Slide Kit
ACVG520	48	Chevron
ACVG521N(S)	24	VG521N Corner Cleat
ACVG528	8+	Top Guides
ACVG531	4 Pairs	Interlock Cover Cap
ACVG534	6+	Sash Drainage Spout
ACVG557N	8	Bridge Packer
ACVG575	4+	Support for VG575
ACVG617(S)	8	Outer Frame Cleat
ACVG644	6	VG521N Vent Support
ACVL059	1	End Caps
ACVL061	W/300 + 2	Rivet
ACVS033	12H + 4W	Woolpile
Ext. Glazing Gasket	6H + 2W - 2000	'E' Gasket
Int. Glazing Gasket	6H + 2W - 2000	Wedge Gasket

*See section B for connecting rod and lock length requirements

*See section E for lock & handle selection

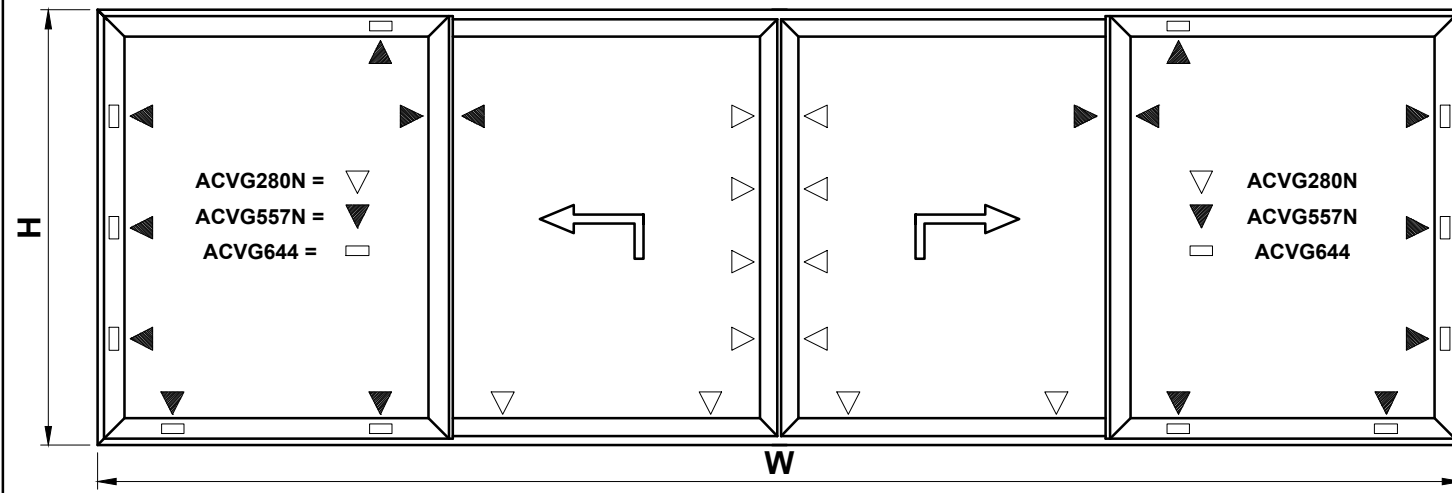
IMPORTANT NOTE:

Maximum Sash Weights:
Lift & Slide = 200kg



Do Not Scale From This Drawing

Cutting Information - Sobinco Lift and Slide



PROFILES

VG518 (with UG050)		2		W
VG518 (with UG050)		2		H
VG521N		8		W/4 + 17
VG521N		8		H - 87
VG530		4		H - 87
VG553N		4		H - 87
VG542		1		H - 87
UG852		4		H - 87
BEAD		8		W/4 - 123.5
BEAD		8		H - 267
VG52		2		W - 104
VG52		2		H - 94
VG53		1		W - 94
VL72		1		W - 9
VG575		2		W/4 - 69.5
*VG514		2		W/2 - 138.5

* OPTIONAL

ACCESSORIES

ACGSL045		MAX 800 mm	Drainage Cap
ACUG830	2		EPDM Plug
ACUG831	2		Interlock Seal
ACUN348	4		Buffer
ACVG240	1		Basic 4 Door L&S Kit
ACVG268	2		Guide Bracket
ACVG269...273*	2		Connecting Rods
ACVG277...279*	2		Lift and Slide Lock
ACVG280N	2		Basic Lift & Slide Kit
ACVG281	1		Locking Point
ACVG520	56		Chevron
ACVG521N(S)	32		VG521N Corner Cleat
ACVG528	8+		Top Guides
ACVG531	4 Pairs		Interlock Cover Cap
ACVG534	8+		Sash Drainage Spout
ACVG543	1 Pair		VG542 End Caps
ACVG557N	16		Bridge Packer
ACVG575	4+		Support for VG575
ACVG617(S)	8		Outer Frame Cleat
ACVG644	12		VG521N Vent Support
ACVL059	1 Pair		VL72 End Cap
ACVL061	W/300 + 2		VL72/VL76 Rivet
ACVS033	15H + 6W		Woolpile
Ext. Glazing Gasket	8H + 2W - 1300		'E' Gasket
Int. Glazing Gasket	8H + 2W - 1300		Wedge Gasket

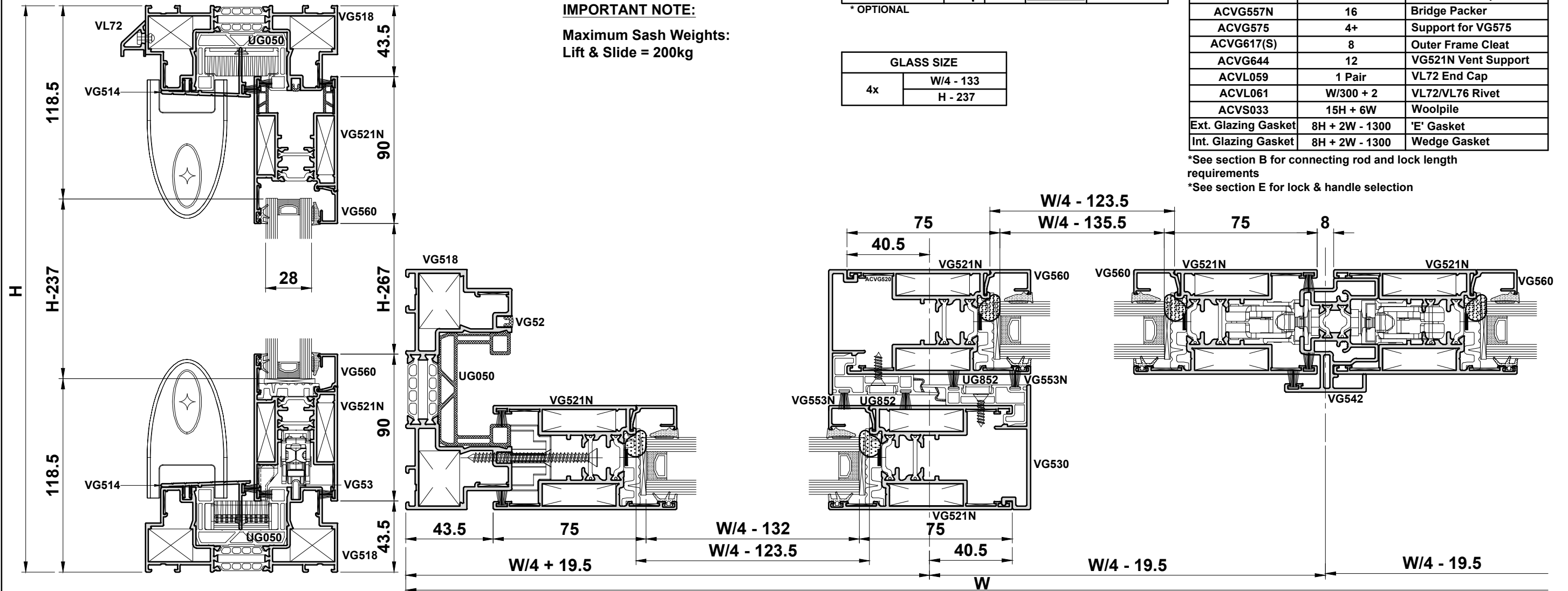
*See section B for connecting rod and lock length requirements

*See section E for lock & handle selection

IMPORTANT NOTE:

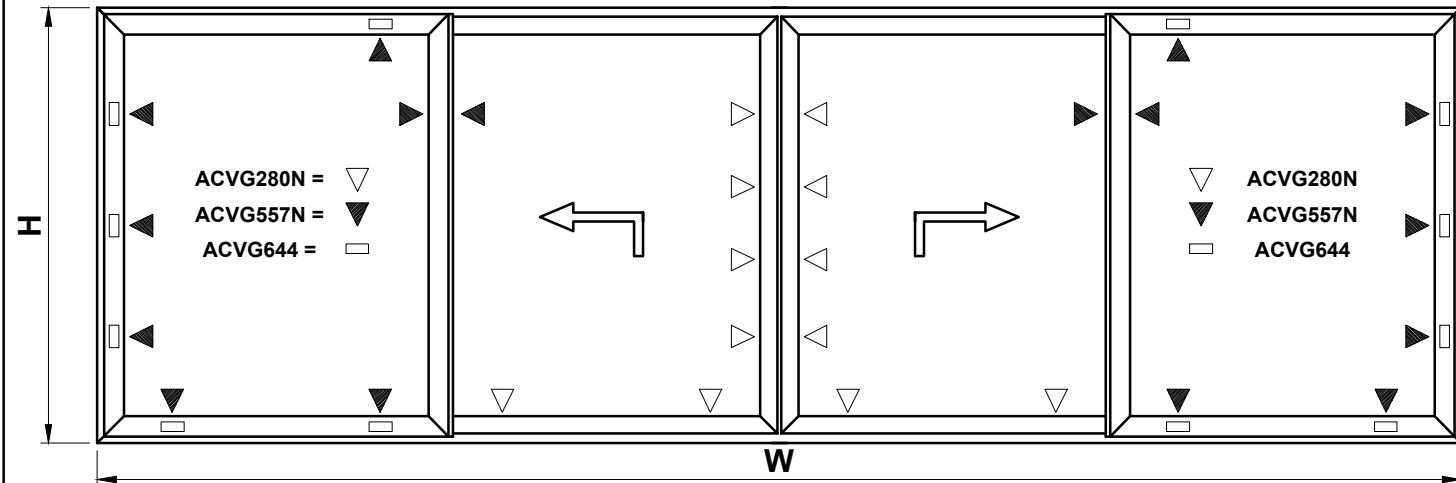
Maximum Sash Weights:
Lift & Slide = 200kg

GLASS SIZE	
4x	W/4 - 133
	H - 237



Do Not Scale From This Drawing

Cutting Information - Sobinco Lift and Slide

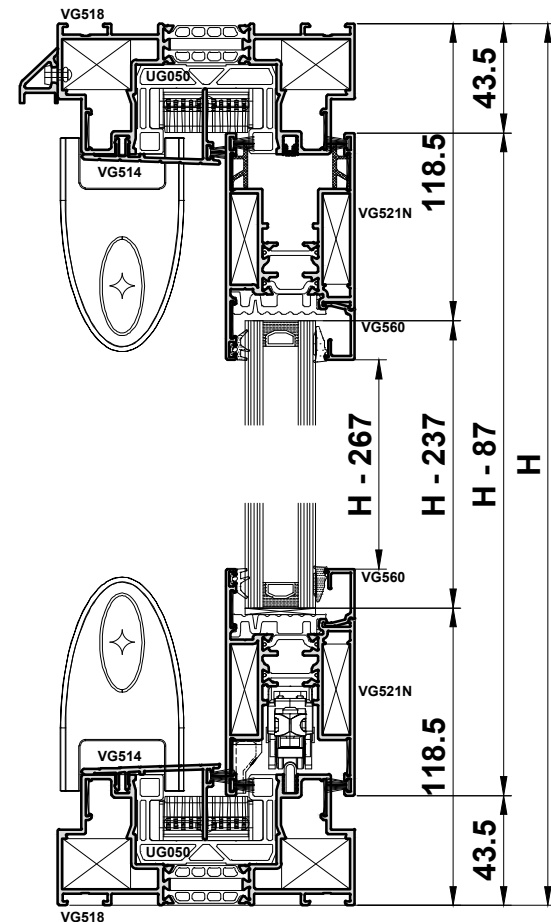


PROFILES

VG518 (with UG050)		2		W
VG518 (with UG050)		2		H
VG521N		4		W/4 - 28.5
VG521N		4		W/4 - 28.5
VG521N		4		H - 87
VG542		1		H - 87
VG537		4		H - 87
VG552N		4		H - 87
BEAD		4		W/4 - 98.5
BEAD		4		W/4 - 99
BEAD		8		H - 267
VG53		1		W - 94
VG52		1		W - 104
VG52		2		W/2 - 70.5
VG52		2		H - 92
VL72		1		W - 9
VG575		2		W/4 - 69.5
*VG514		2		W/2 - 74

ACCESSORIES Continued

ACVG240	1	Basic 4 Door L&S Kit
ACVG268	2	Guide Bracket
ACVG269...273*	2	Connecting Rods
ACVG277...279*	2	Lift and Slide Lock
ACVG280N	2	Basic Lift & Slide Kit
ACVG281	1	Locking Point
ACVG520	24	Chevron
ACVG521N(S)	16	VG521N Corner Cleat
ACVG528	4+	Top Guides
ACVG531	4 Pairs	Interlock Cover Cap
ACVG534	8+	Sash Drainage Spout
ACVG536	2 Pairs	Slim Interlock End Cap
ACVG543	1 Pair	VG542 End Caps
ACVG548	16	Fixing Bracket
ACVG557N	16	Bridge Packer
ACVG575	4+	Support for VG575
ACVG617(S)	8	Outer Frame Cleat
ACVG644	12	VG521N Vent Support
ACVL059	1 Pair	VL72 End Cap
ACVL061	W/300 + 2	VL72/VL76 Rivet
ACVS033	13H + 4W	Woolpile
Ext. Glazing Gasket	8H + 2W	'E' Gasket
Int. Glazing Gasket	8H + 2W	Wedge Gasket

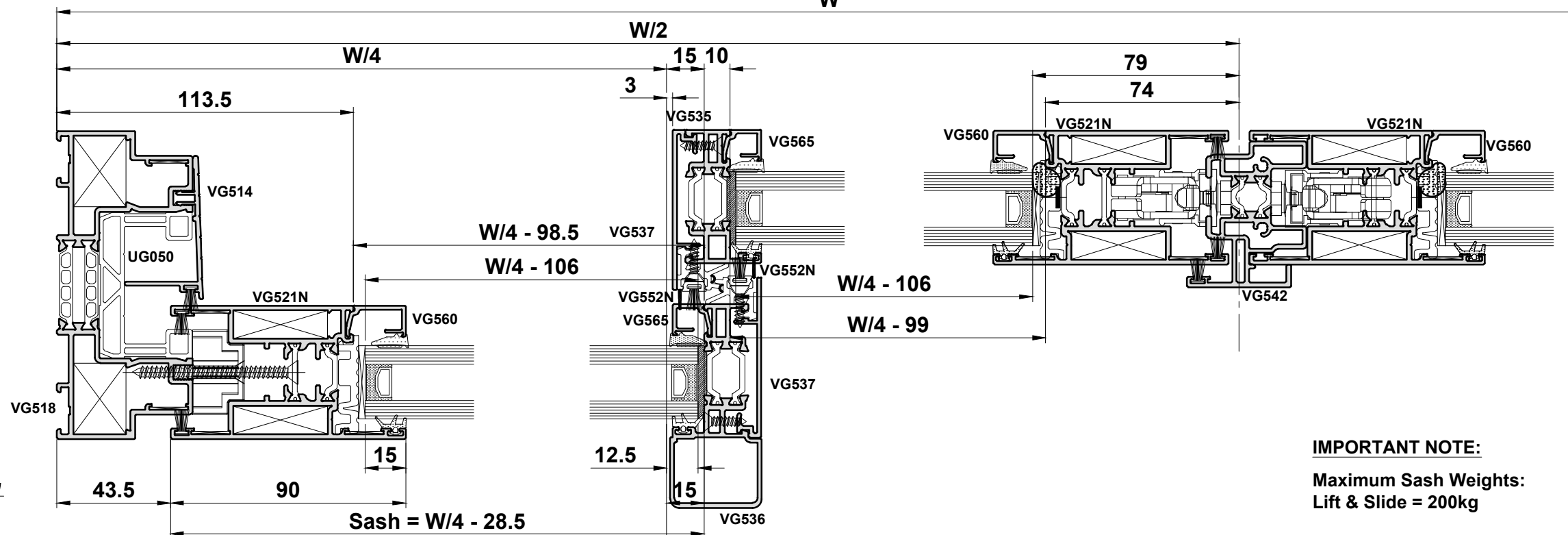


GLASS SIZE	
4x	W/4 - 106
	H - 237

*Optional

ACCESSORIES

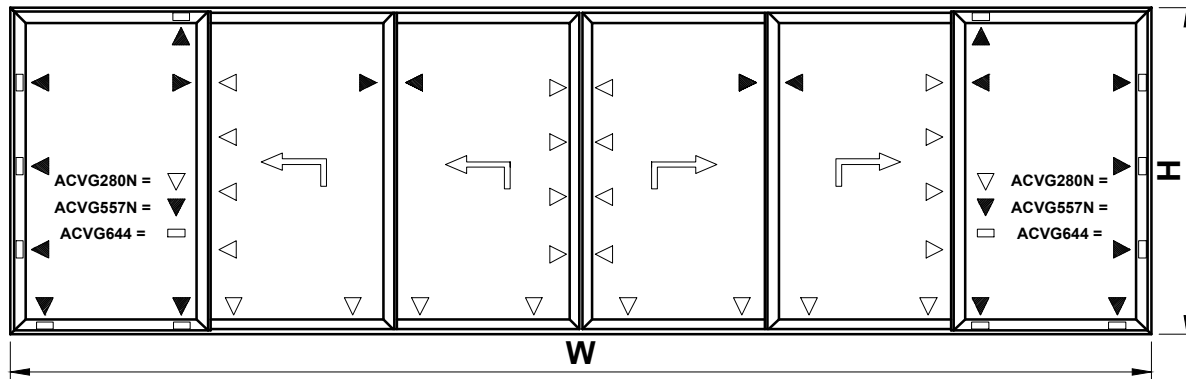
ACGSL045		MAX 600 mm	Drainage Cap
ACUG830	2		EPDM Plug
ACUG831	2		Interlock Seal
ACUN348	4		Buffer



IMPORTANT NOTE:
Maximum Sash Weights:
Lift & Slide = 200kg

Do Not Scale From This Drawing

Cutting Information - Sobinco Lift and Slide



PROFILES

VG518 (with UG050)		2		W
VG518 (with UG050)		2		H
VG521N		12		W/6 + 38
VG521N		12		H - 87
VG530		8		H - 87
VG553N		8		H - 87
VG542		1		H - 87
UG852		8		H - 87
BEAD		12		W/6 - 102
BEAD		12		H - 267
VG52		2		W - 104
VG52		4		H - 94
VG53		2		W - 94
VL72		1		W - 9
VG575		2		W/3 - 90.5
VG575		2		W/6 - 48
*VG514		1		2W/3 - 181
*VG515		1		W/3 - 96

* OPTIONAL

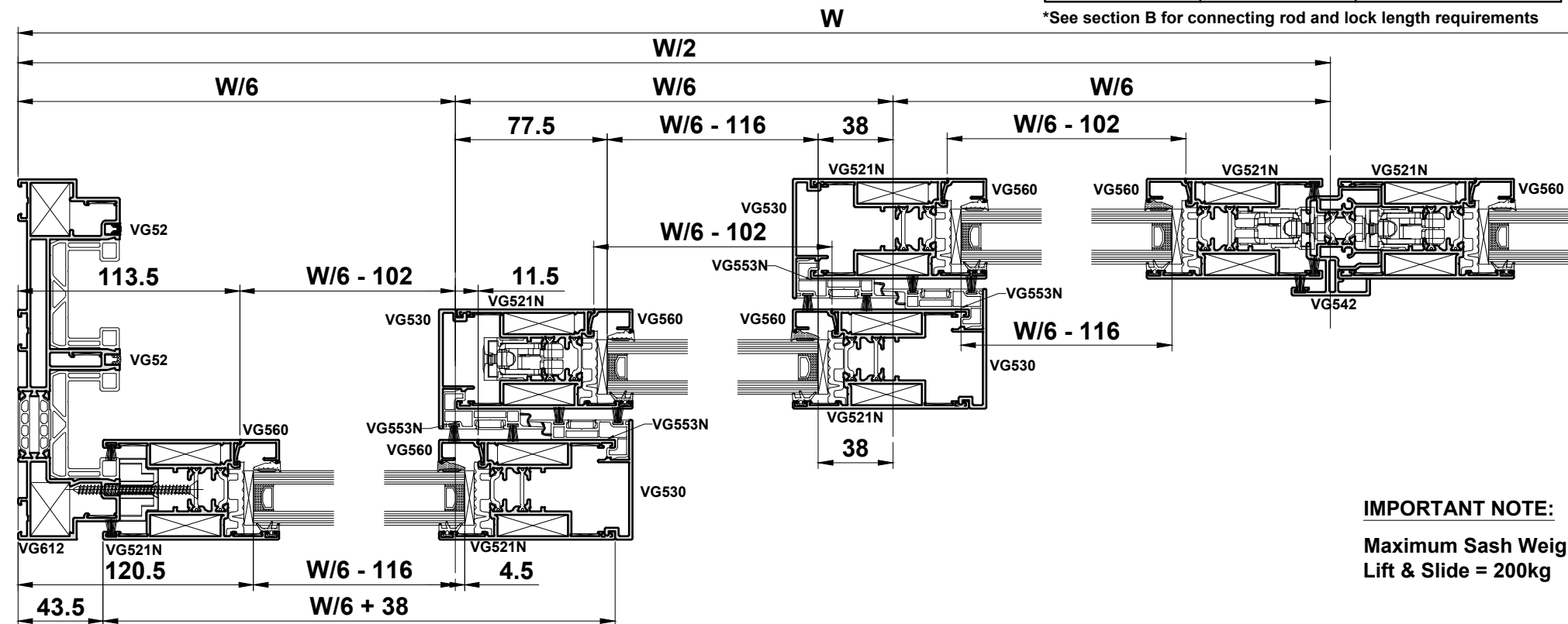
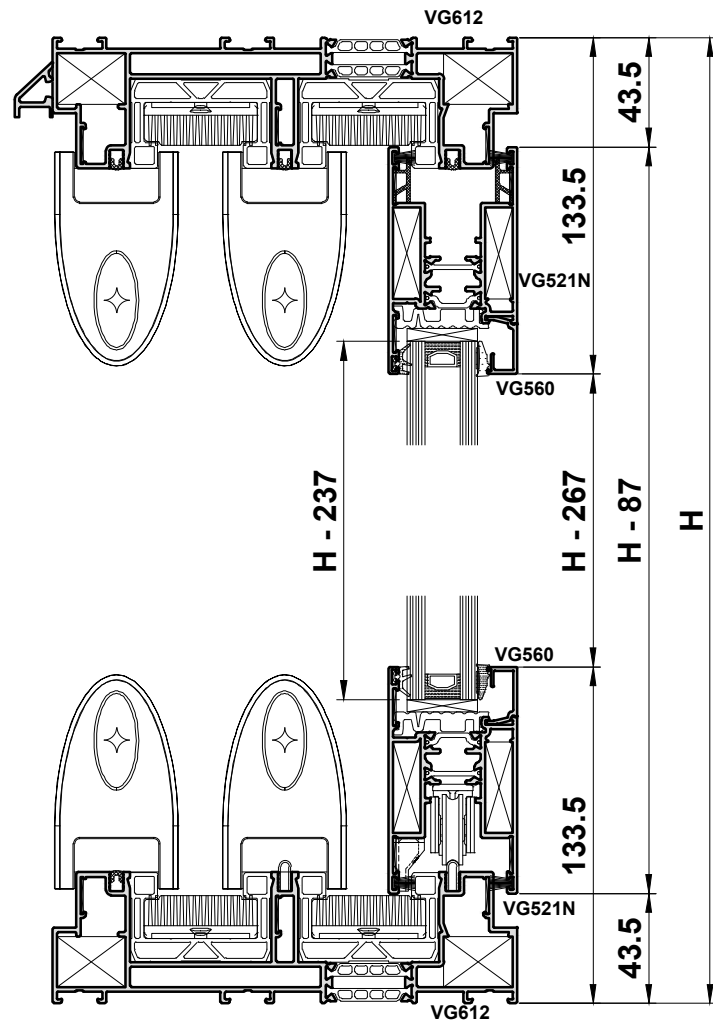
GLASS SIZE

6x	W/6 - 116
	H - 237

ACCESSORIES

ACGSL045		Drainage Cap
ACVG534		Drainage Spout
ACUG830	8	EPDM Plug
ACUG831	2	Interlock Seal
ACUN348	8	Buffer
ACVG240	1	Basic Bi Parting L&S Kit
ACVG268	4	Guide Bracket
ACVG269...273*	4	Connecting Rods
ACVG277...279*	4	Lift and Slide Lock
ACVG280N	4	Basic Lift & Slide Kit
ACVG281	1	Locking Point
ACVG520	84	Chevron
ACVG521N(S)	48	VG521N Corner Cleat
ACVG528		Top Guides
ACVG531	6 Pairs	Interlock Cover Cap
ACVG534	12+	Sash Drainage Spout
ACVG543	1 Pair	VG542 End Caps
ACVG557N	20	Bridge Packer
ACVG575	8+	Support for VG575
ACVG617(S)	8	Outer Frame Cleat
ACVG644	12	VG521N Vent Support
ACVL059	1 Pair	VL72 End Cap
ACVL061	W/300 + 2	VL72/VL76 Rivet
ACVS033	23H + 4W - 1157	Woolpile
Ext. Glazing Gasket	12H + 2W - 4344	'E' Gasket
Int. Glazing Gasket	12H + 2W - 4344	Wedge Gasket

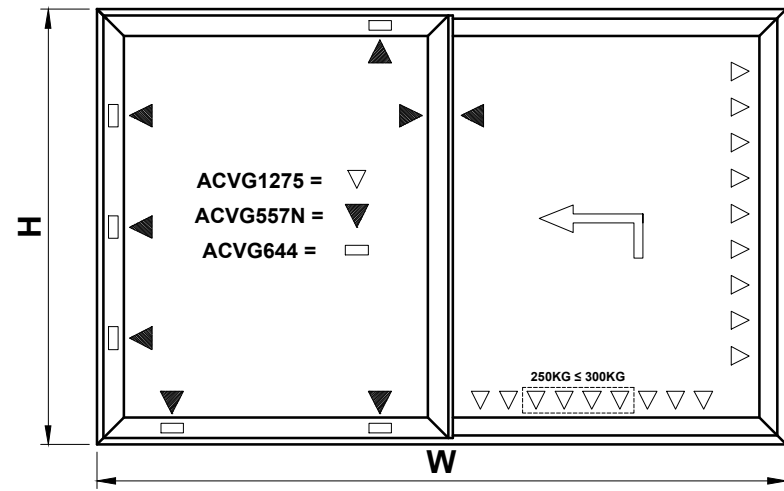
*See section B for connecting rod and lock length requirements



IMPORTANT NOTE:
Maximum Sash Weights:
Lift & Slide = 200kg

Do Not Scale From This Drawing

Cutting Information - Hautau Lift and Slide



PROFILES

VG518 (with UG050)		2		W
VG518 (with UG050)		2		H
VG521N		4		W/2 - 3
VG521N		4		H - 87
VG530		2		H - 87
VG553N		2		H - 87
UG852		2		H - 87
BEAD		4		W/2 - 143
BEAD		4		H - 267
VG53		1		W - 94
VG52		1		W - 104
VG52		2		W/2 - 70.5
VG52		2		H - 92
VL72		1		W - 9
VG575		1		W/2 - 89
*VG514		1		H - 108
*VG514		2		W/2 - 93.5

ACCESSORIES

ACGSL045		MAX 800 mm	Drainage Cap
ACUG830		1	Interlock Seal
ACUG831		1	Interlock Seal
ACUN348		2	Buffer
ACVG520		32	Chevrons
ACVG521N(S)		16	VG521N Corner Cleat
ACVG528		4+	Top Guides
ACVG531		2 Pairs	Interlock Cover Cap
ACVG534		4+	Sash Drainage Spout
ACVG557N		8	Bridge Packer
ACVG575		2+	Support for VG575
ACVG617(S)		8	Outer Frame Cleat
ACVG644		6	VG521N Vent Support
ACVL059		1 Pair	VL72 End Cap
ACVL061		W/300 + 2	VL72/VL76 Rivet
ACVS033		9H + 5W	Woolpile
Ext. Glazing Gasket		4H + 2W - 1500	'E' Gasket
Int. Glazing Gasket		4H + 2W - 1500	Wedge Gasket

FH	Vent Height	H - 87
FW	Vent Width	W/2 - 3

LOCK COMPONENTS

ACVG1280	-	1
ACVG1277*	1877 < FH < 2176	1
ACVG1278*	2177 < FH < 2476	
ACVG1279*	2477 < FH < ...	

* See Section E for lock preparation details.

≤ 250KG VENT WEIGHT

ACVG1275	-	14
ACUG230	650 < FW < 1360	1
ACUG231	1361 < FW < 1860	
ACUG232	1861 < FW < 2360	

≤ 300KG VENT WEIGHT

ACVG1274	-	1
ACVG1275	-	18
ACUG230	1120 < FW < 1800	1
ACUG231	1801 < FW < 2300	
ACUG232	2301 < FW < 2800	
ACUG233	2801 < FW < 3235	

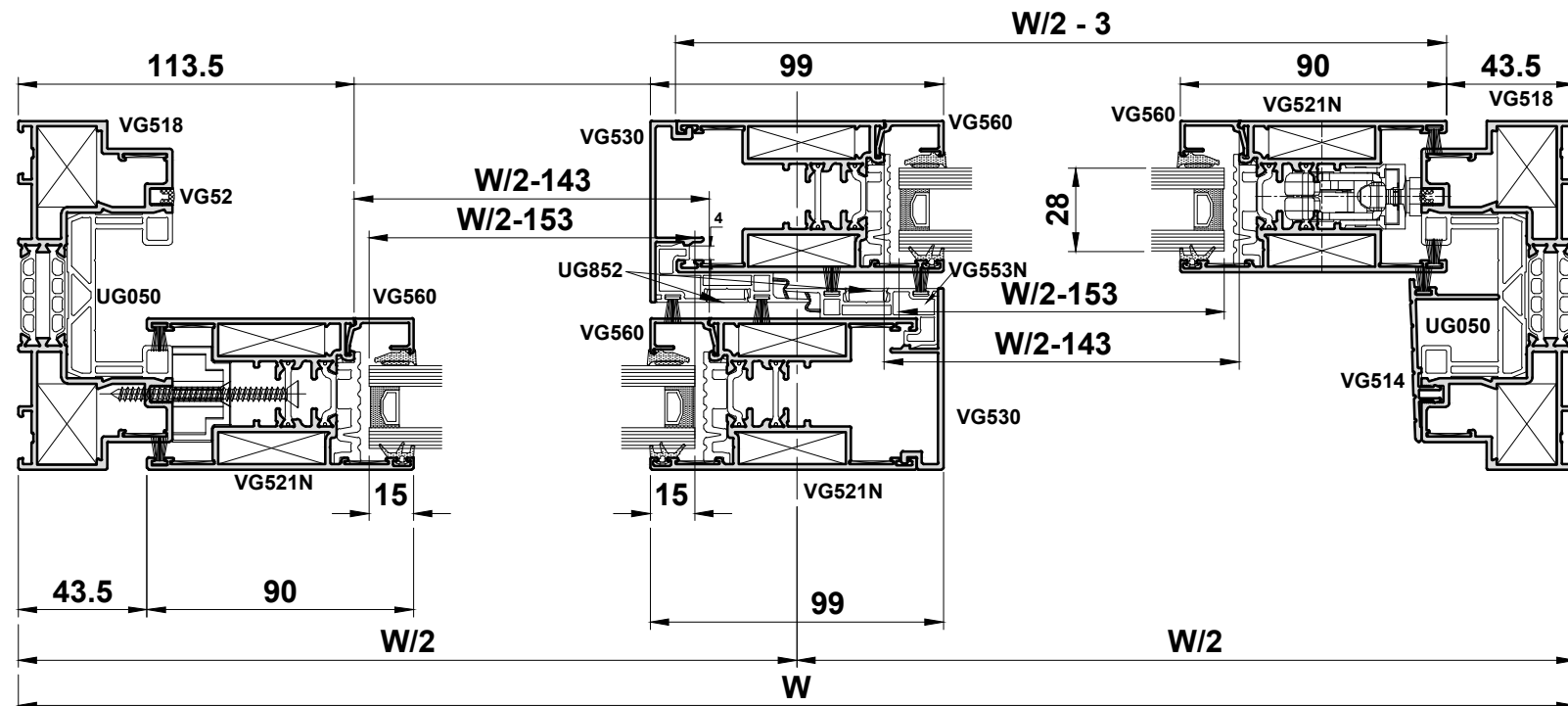
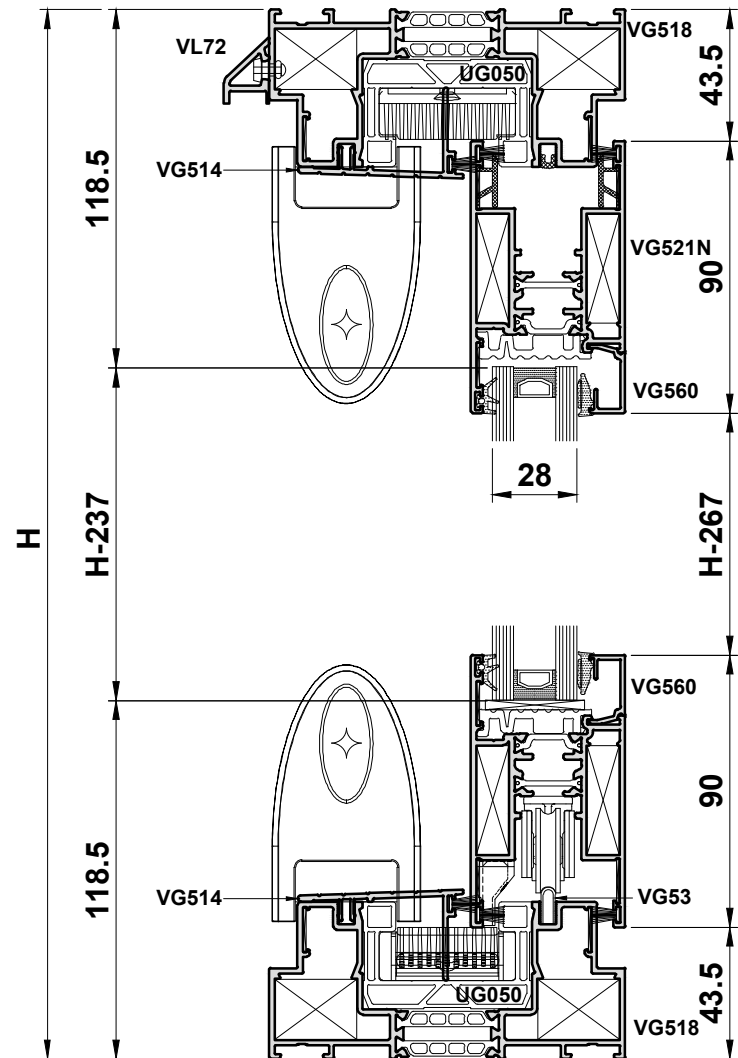
See Section E for handle selection

*Optional

GLASS SIZE	
2x	W/2 - 153 H - 237

IMPORTANT NOTE:

Maximum Sash Weight:
Hautau Lift & Slide = 300kg



Do Not Scale From This Drawing

Cutting Information - Hautau Lift and Slide

PROFILES

VG618		2		W
VG618		2		H
VG521N		2		W/2 - 3
VG521N		2		H - 87
VG621		1		H - 56
VG530		1		H - 87
VG630		1		H - 56
VG553N		2		H - 87
UG852		2		H - 87
VG615		1		W/2 - 69.5
VG615		1		H - 56
VG616		1		W/2 - 83
VG5XX		2		W/2 - 143
VG5XX		2		H - 267
GL7XX		2		W / 2 - 52.5
GL7XX		2		H - 106
VG53		1		W - 94

VG52		1		W - 104
VG52		2		H - 92
VL72		1		W - 9

ACCESSORIES

ACEF010B	4	VG610/618 Corner Cleat
ACSG611B		
ACFT171	(H + W - 200) / 300	Clip-In Adaptor
ACGSL057	2	Storm Valve
ACSG631	H + W - 200	VG610/618 Interlock Seal
ACSP057	4	VG610/618 Glass Support
ACUG631	1	VG610/618 Interlock Seal
ACUG632	1	VG610/618 Interlock Seal
ACUN348	2	Buffer
ACVG45N	MAX 800 mm	Drainage Cap
ACVG520	16	Chevron
ACVG521N(S)	8	VG521N Corner Cleat
ACVG528	4+	Top Guides
ACVG531	1 Pair	Interlock Cover Cap
ACVG534	2+	Sash Drainage Spout
ACVG557N	1	Bridge Packer
ACVG618(S)	4	VG618 Corner Cleat
ACVL020(B)	4	Chevron
ACVL029	6	Anti-Twist Clip
ACVL059	1	VL72 End Cap
ACVL061	W/300 + 2	Rivet
ACVS033	7H + 6W	Woolpile
Ext. Glazing Gasket	(1) 2H + W - 200 (2) 2H + W - 700	E-Gasket
Int. Glazing Gasket	(1) 2H + W - 200 (2) 2H + W - 700	Wedge Gasket

GLASS SIZE	
1x	W1 - 66.5 H - 70
1x	W2 - 153 H - 237

IMPORTANT NOTE:
Maximum Sash Weights:
Lift & Slide = 300kg

FH	Vent Height	H - 87
FW	Vent Width	W/2 + 38

LOCK COMPONENTS

ACVG1280	-	1
ACVG1277*	1877 < FH < 2176	1
ACVG1278*	2177 < FH < 2476	
ACVG1279*	2477 < FH < ...	

* See Section E for lock preparation details.

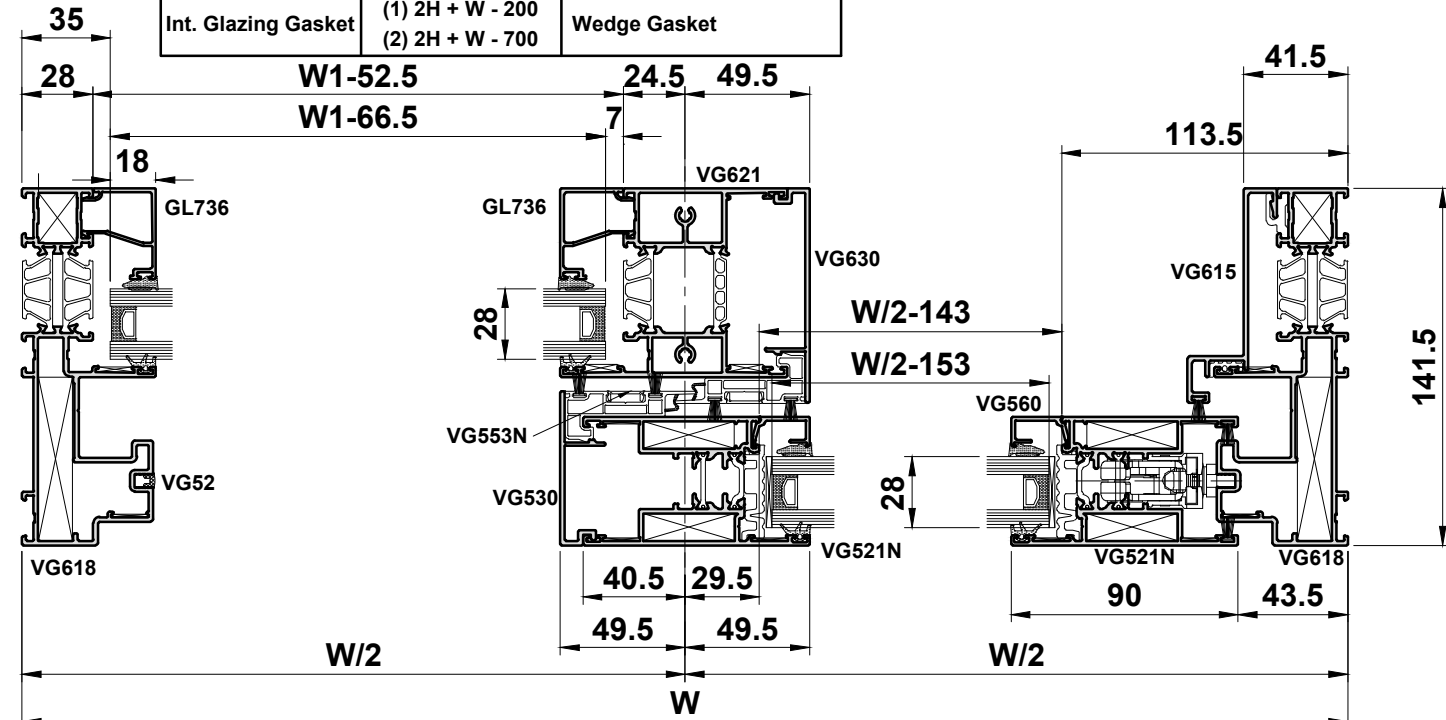
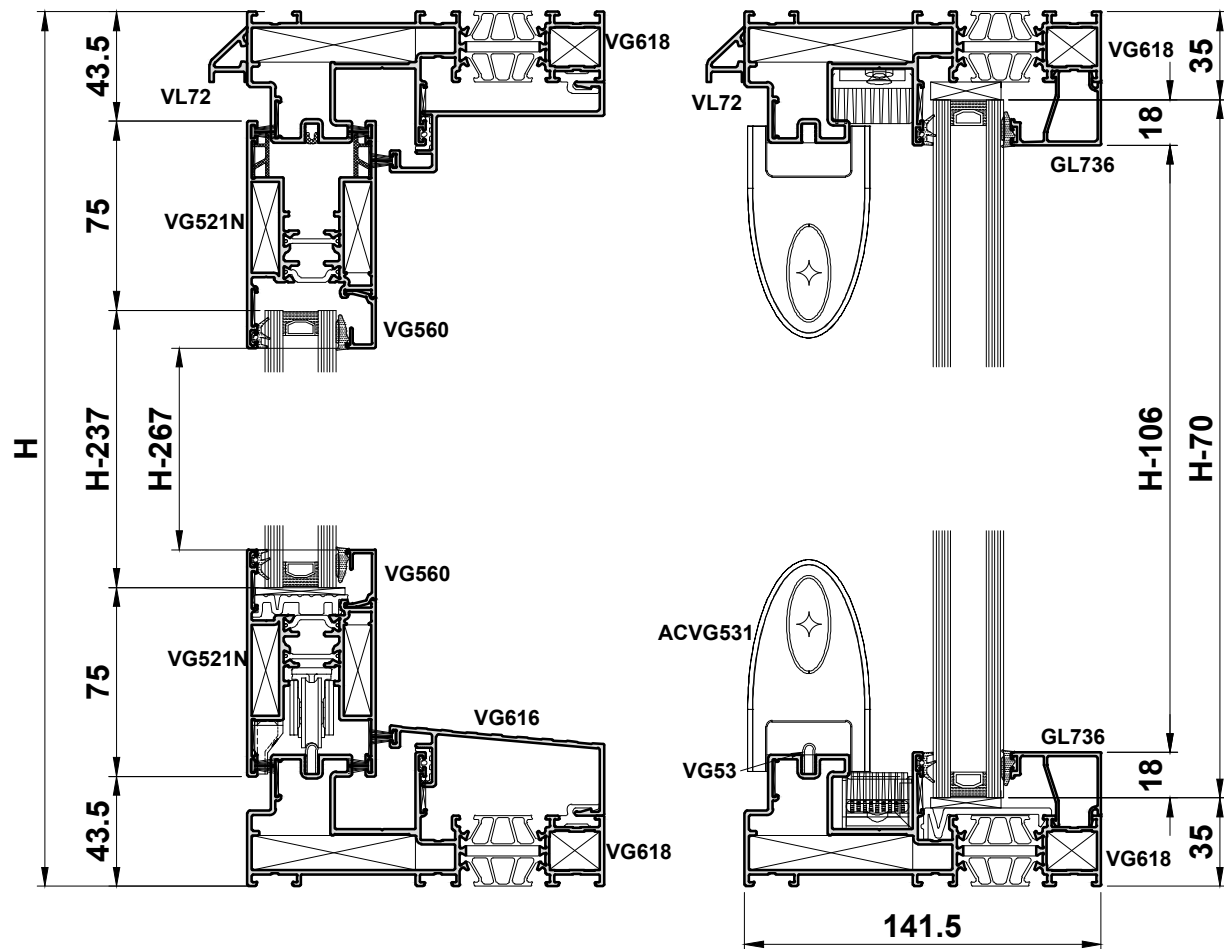
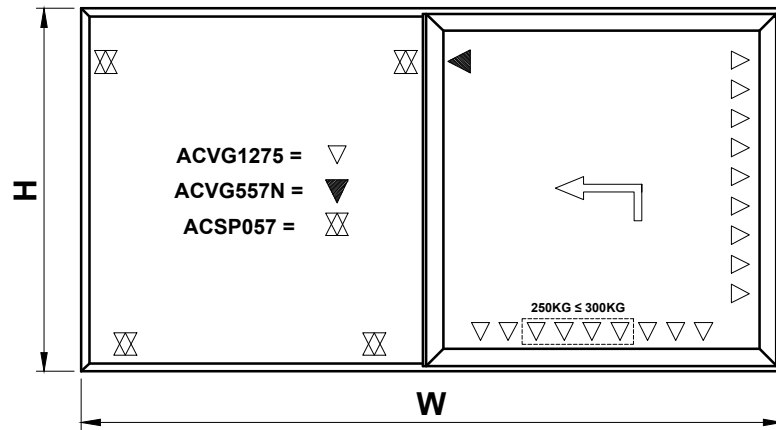
≤ 250KG VENT WEIGHT

ACVG1275	-	1
ACUG230	650 < FW < 1360	1
ACUG231	1361 < FW < 1860	
ACUG232	1861 < FW < 2360	

≤ 300KG VENT WEIGHT

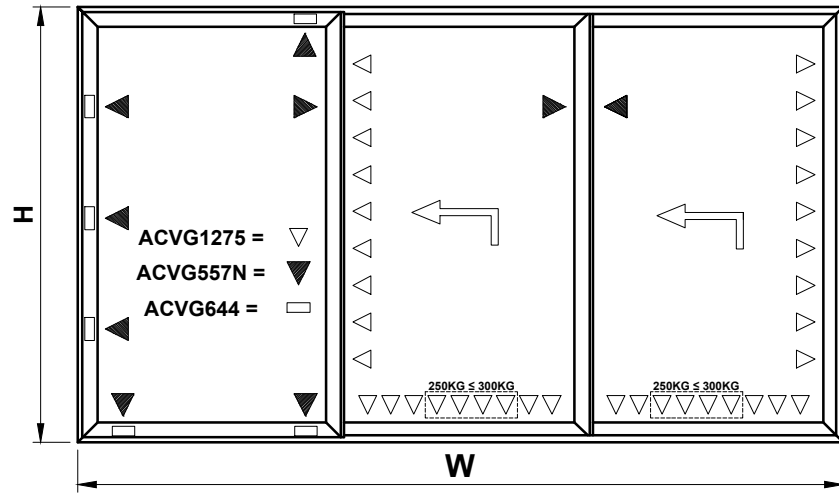
ACVG1274	-	1
ACVG1275	-	18
ACUG230	1120 < FW < 1800	1
ACUG231	1801 < FW < 2300	
ACUG232	2301 < FW < 2800	
ACUG233	2801 < FW < 3235	

See Section E for handle selection



Do Not Scale From This Drawing

Cutting Information - Hautau Lift and Slide



PROFILES

VG612 (with UG050)		2		W
VG612 (with UG050)		2		H
VG521N		6		W/3 + 25
VG521N		6		H - 87
VG530		4		H - 87
VG553N		4		H - 87
UG852		4		H - 87
BEAD		6		W/3 - 135
BEAD		6		H - 267
VG53		2		W - 94
VG52		2		W - 104
VG52		2		2W/3 - 98.5
VG52		5		H - 92
VL72		1		W - 9
VG575		1		2W/3 - 117
VG575		1		W/3 - 61
*VG514		2		2W/3 - 129.5
*VG514		1		H - 108
*VG515		2		W/3 - 73.5
*VG515		1		H - 108

*Optional

ACCESSORIES

ACUG830	2	Bottom Interlock Seal
ACUG831	2	Top Interlock Seal
ACUN348	4	Buffer
ACVG520	48	Chevron
ACVG521N(S)	24	VG521N Corner Cleat
ACVG528	8+	Top Guides
ACVG531	4	Interlock Cover Cap
ACVG534	6+	Sash Drainage Spout
ACVG557N	8	Bridge Packer
ACVG575	4+	Support for VG575
ACVG617(S)	8	Outer Frame Cleat
ACVG644	6	VG521N Vent Support
ACVL059	1	End Caps
ACVL061	W/300 + 2	Rivet
ACVS033	12H + 4W	Woolpile
Ext. Glazing Gasket	6H + 2W - 2000	'E' Gasket
Int. Glazing Gasket	6H + 2W - 2000	Wedge Gasket

IMPORTANT NOTE:

Maximum Sash Weights:
Lift & Slide = 300kg

FH	Vent Height	H - 87
FW	Vent Width	W/3 + 25

LOCK COMPONENTS

ACVG1280	-	2
ACVG1277*	1877 < FH < 2176	2
ACVG1278*	2177 < FH < 2476	2
ACVG1279*	2477 < FH < ...	2

* See Section E for lock preparation details.

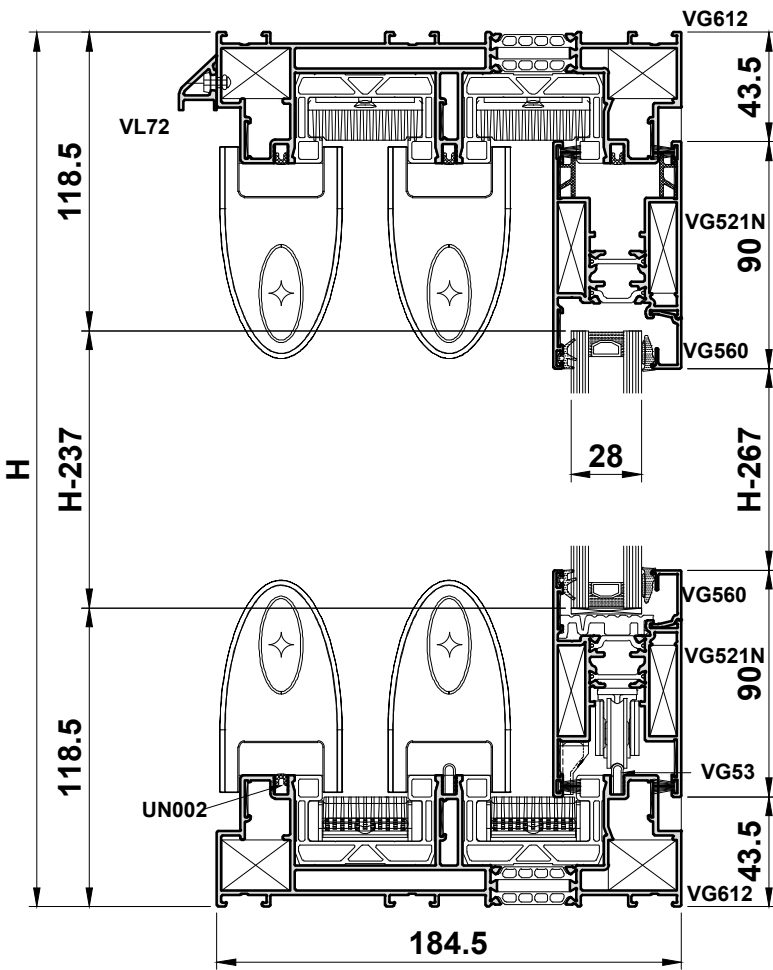
≤ 250KG VENT WEIGHT

ACVG1275	-	28
ACUG230	650 < FW < 1360	2
ACUG231	1361 < FW < 1860	2
ACUG232	1861 < FW < 2360	2

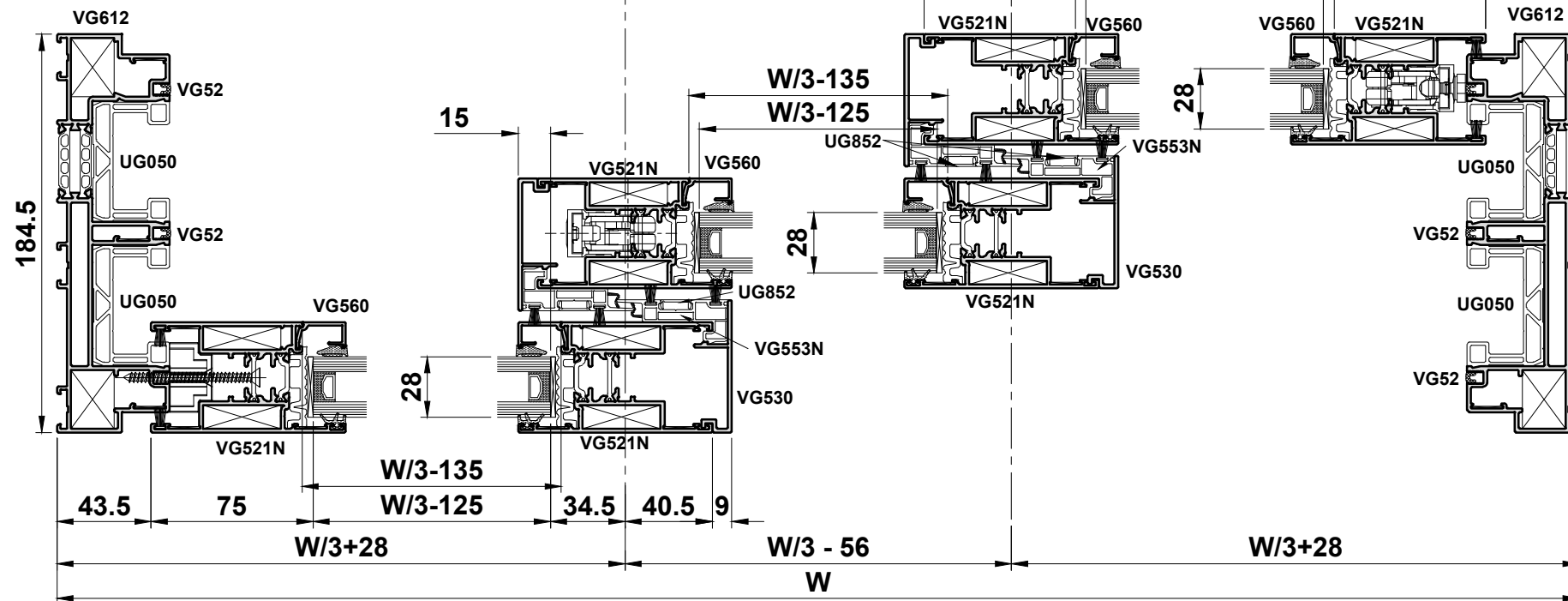
≤ 300KG VENT WEIGHT

ACVG1274	-	2
ACVG1275	-	36
ACUG230	1120 < FW < 1800	2
ACUG231	1801 < FW < 2300	2
ACUG232	2301 < FW < 2800	2
ACUG233	2801 < FW < 3235	2

See Section E for handle selection

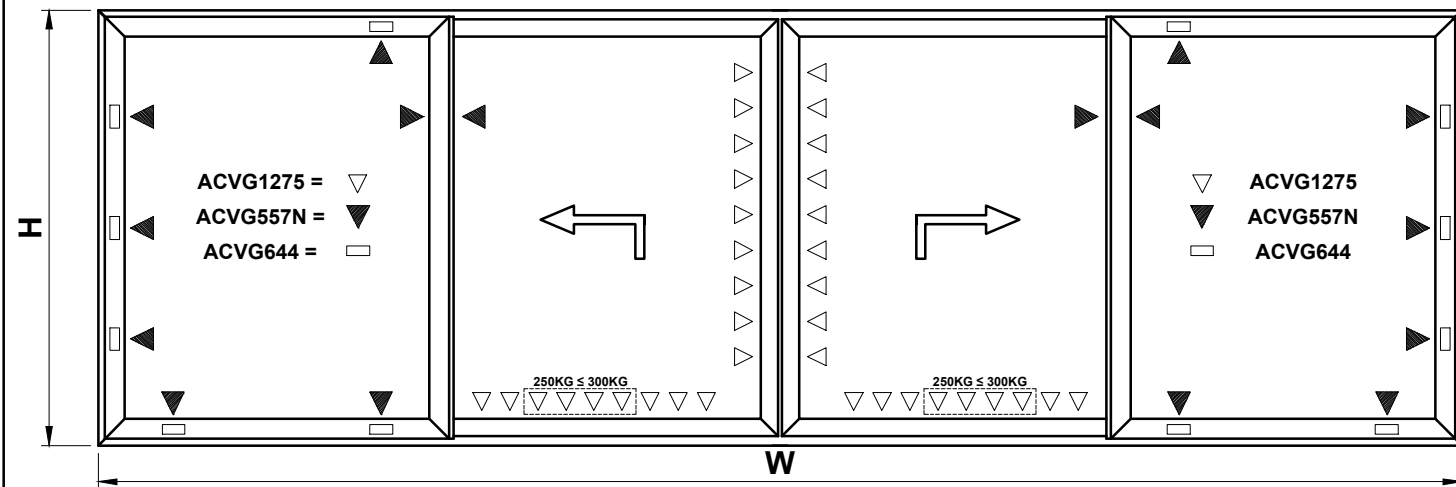


GLASS SIZE	
3x	W/3 - 125
	H - 237



Do Not Scale From This Drawing

Cutting Information - Hautau Lift and Slide



ACCESSORIES

ACGSL045	MAX 900 mm	Drainage Cap
ACUG830	2	Sash Cleat
ACUG831	2	Interlock Seal
ACUN348	4	Buffer
ACVG268	2	Guide Bracket
ACVG520	56	Chevron
ACVG521N(S)	32	VG521N Corner Cleat
ACVG528	8+	Top Guides
ACVG531	4 Pairs	Interlock Cover Cap
ACVG534	8+	Sash Drainage Spout
ACVG543	1 Pair	VG542 End Caps
ACVG557N	16	Bridge Packer
ACVG575	4+	Support for VG575
ACVG617(S)	8	Outer Frame Cleat
ACVG644	12	VG521N Vent Support
ACVL059	1 Pair	VL72 End Cap
ACVL061	W/300 + 2	VL72/VL76 Rivet
ACVS033	15H + 6W	Woolpile
Ext. Glazing Gasket	8H + 2W - 1300	'E' Gasket
Int. Glazing Gasket	8H + 2W - 1300	Wedge Gasket

FH	Vent Height	H - 87
FW	Vent Width	W/4 + 17

LOCK COMPONENTS

ACUG221	-	1
ACVG1240	-	1
ACVG1280	-	2
ACVG1277*	1877 < FH < 2176	2
ACVG1278*	2177 < FH < 2476	
ACVG1279*	2477 < FH < ...	

* See Section E for lock preparation details.

≤ 250KG VENT WEIGHT

ACVG1275	-	28
ACUG230	650 < FW < 1360	2
ACUG231	1361 < FW < 1860	
ACUG232	1861 < FW < 2360	

≤ 300KG VENT WEIGHT

ACVG1274	-	2
ACVG1275	-	36
ACUG230	1120 < FW < 1800	2
ACUG231	1801 < FW < 2300	
ACUG232	2301 < FW < 2800	
ACUG233	2801 < FW < 3235	

See Section E for handle selection

PROFILES

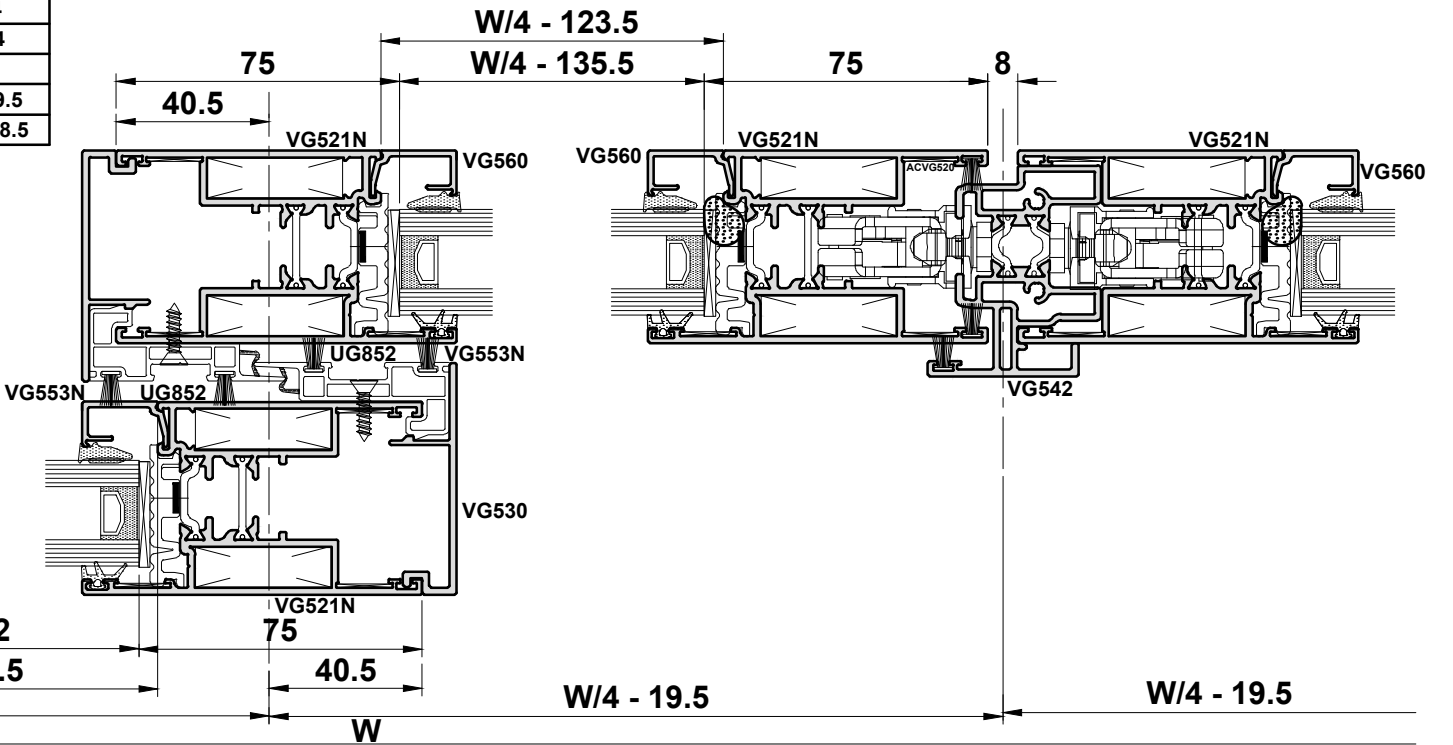
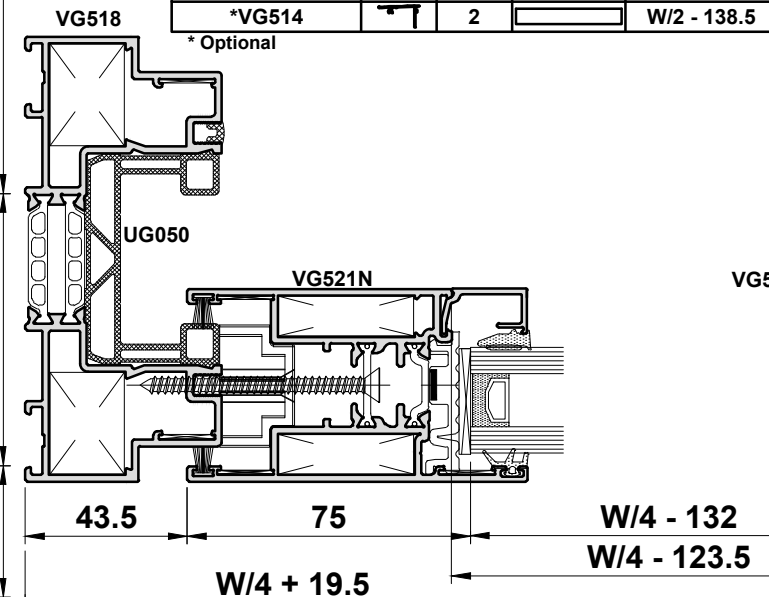
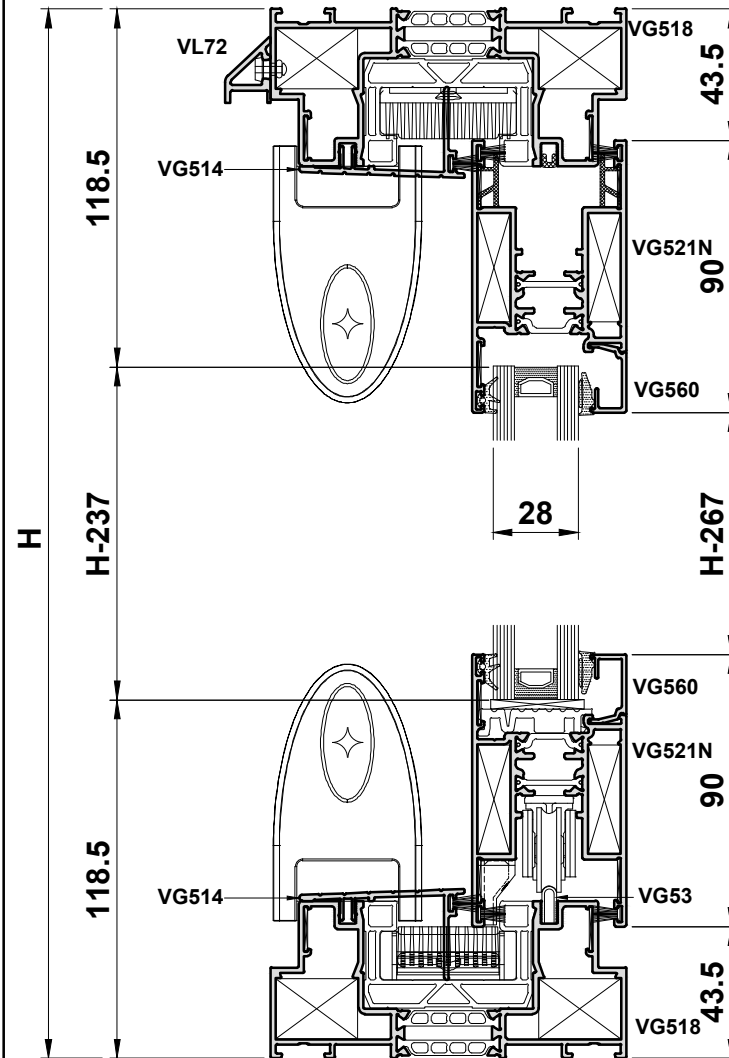
VG518 (with UG050)		2		W
VG518 (with UG050)		2		H
VG521N		8		W/4 + 17
VG521N		8		H - 87
VG530		4		H - 87
VG553N		4		H - 87
VG542		1		H - 87
UG852		4		H - 87
BEAD		8		W/4 - 123.5
BEAD		8		H - 267
VG52		2		W - 104
VG52		2		H - 94
VG53		1		W - 94
VL72		1		W - 9
VG575		2		W/4 - 69.5
*VG514		2		W/2 - 138.5

* Optional

GLASS SIZE	
4x	W/4 - 133
	H - 237

IMPORTANT NOTE:

Maximum Sash Weights:
Lift & Slide = 300kg



Do Not Scale From This Drawing

Cutting Information - Vanishing Corner

ACCESSORIES

ACDV313	2	Shootbolt Ends
ACDV326	1	Finger Bolt
ACGSL045	MAX 800 mm	Drainage Cap
ACSG012	32	Sash Cleat
ACUG143	2	Shootbolt Keep
ACUG830	4	Interlock Seal
ACUN348	4	Buffer
ACVG509/510	8	Outer Frame Cleat
ACVG520	56	Chevron
ACVG523	13	Lock Fixing Plates
ACVG528	8+	Top Guide
ACVG529	2 Set of 4	Anti Lift Block/Guide
ACVG530	4 Pairs	Interlock Cover Cap
ACVG534	8+	Sash Drainage Spout
ACVG544	12	Fixed Sash Support
ACVG545	1 Pair	Guide Block
ACVG555	4	Adjustable Rollers
ACVG559	16	Bridge Packer
ACVG576	2 x H - 87	Corner Gasket
ACVG581	1 Kit	VG580/581 End Cap
ACVG590	1 Pack	90° Corner Cleat
ACVL059	2 Pair	VL72/VL76 Cap
ACVL061	$W_a/300+W_b/300+4$	VL72/VL76 Rivet
ACVL127	1 Pair	Shootbolt Rods
ACVS033	$14H+4W_a+4W_b-750$	Woolpile
Ext. Glazing Gasket	$8H+2W_a+2W_b-1300$	'E' Gasket
Int. Glazing Gasket	$8H+2W_a+2W_b-1300$	Wedge Gasket

*See section E for lock & handle selection

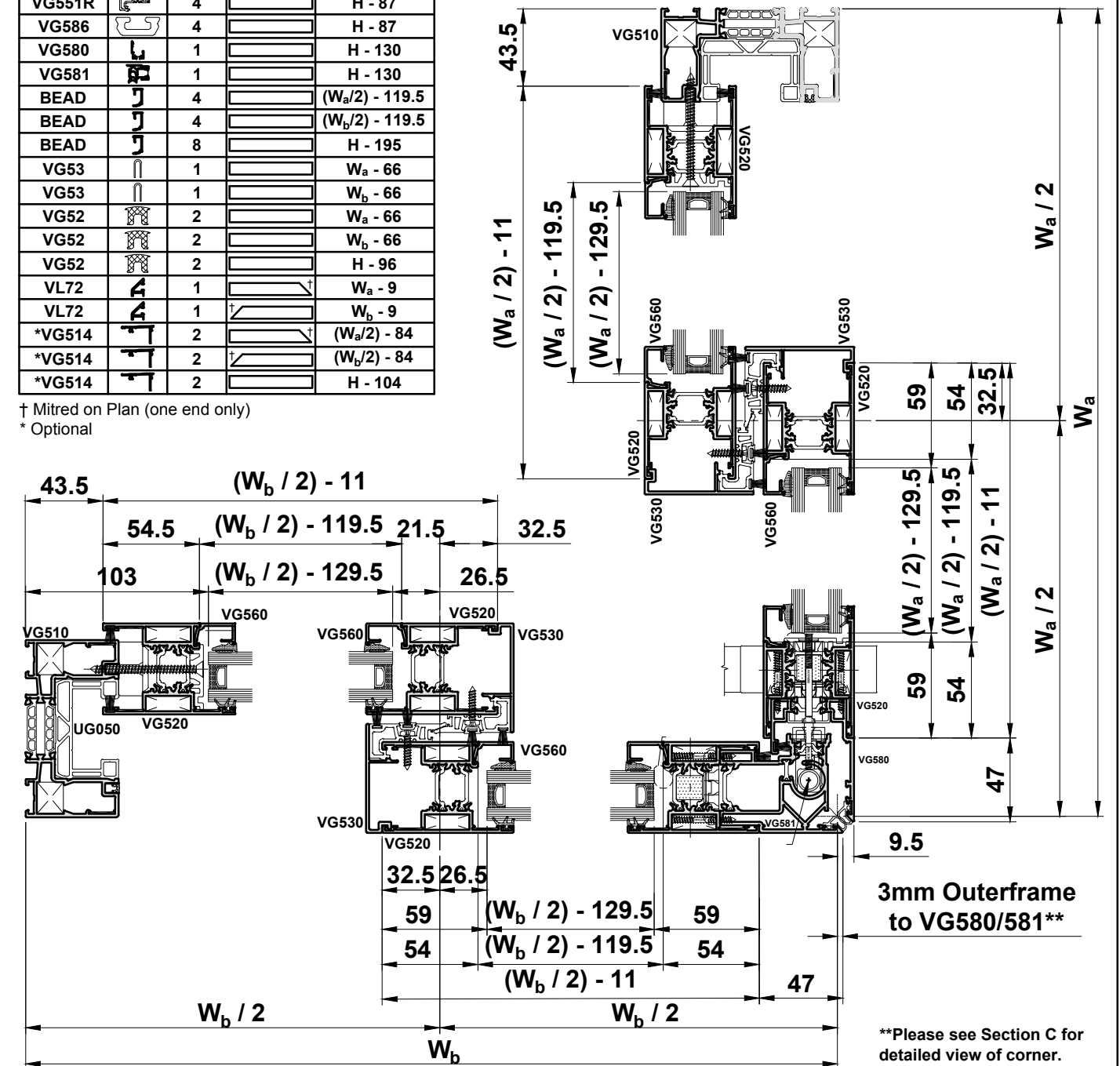
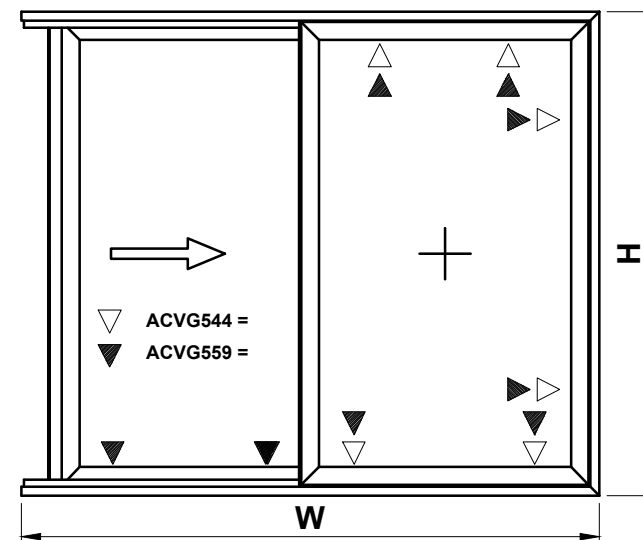
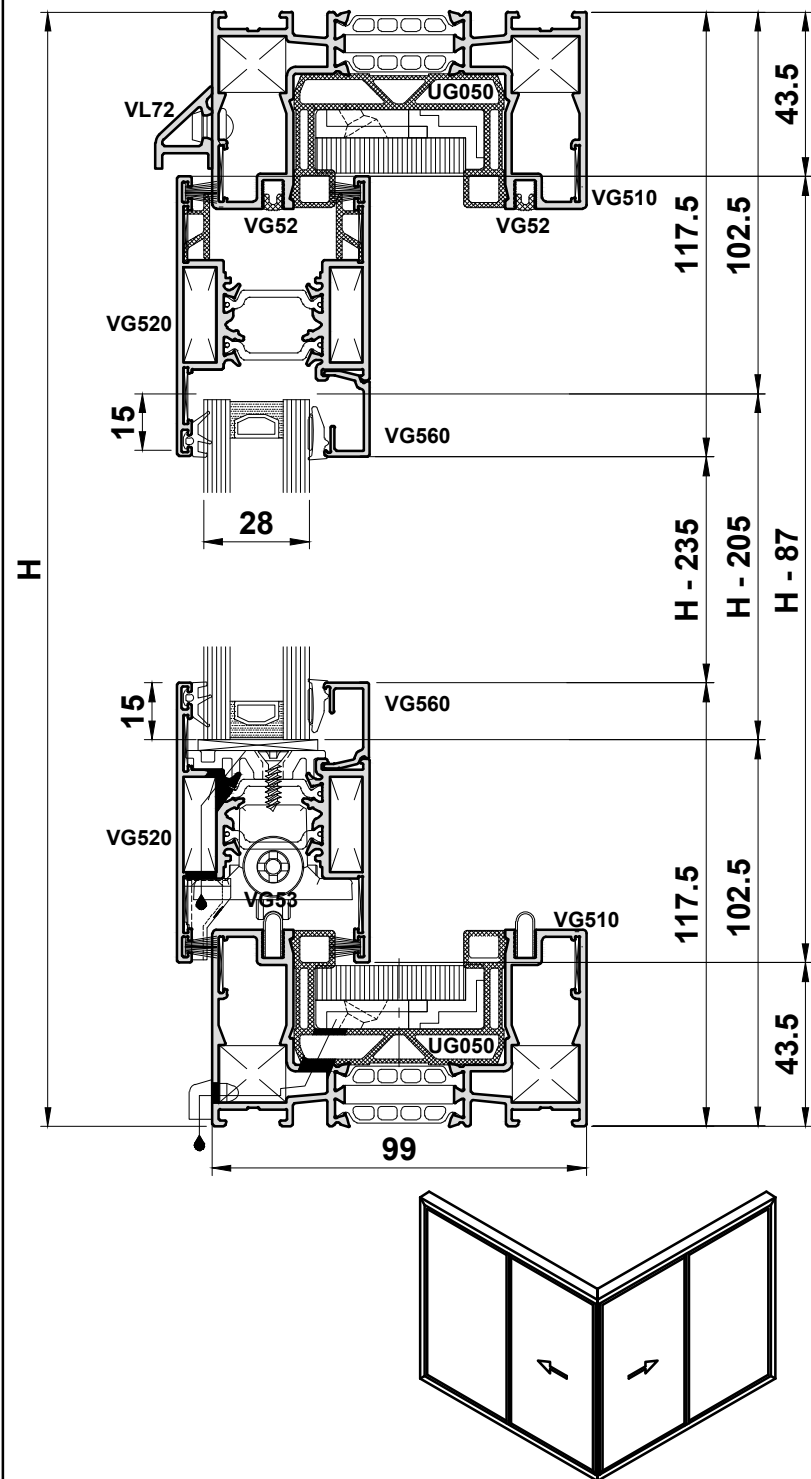
PROFILES

VG510		2		W_a
VG510		2		W_b
VG510		2		H
VG520		4		$(W_a/2) - 11$
VG520		4		$(W_b/2) - 11$
VG520		8		H - 87
VG530		4		H - 87
VG551R		4		H - 87
VG586		4		H - 87
VG580		1		H - 130
VG581		1		H - 130
BEAD		4		$(W_a/2) - 119.5$
BEAD		4		$(W_b/2) - 119.5$
BEAD		8		H - 195
VG53		1		$W_a - 66$
VG53		1		$W_b - 66$
VG52		2		$W_a - 66$
VG52		2		$W_b - 66$
VG52		2		H - 96
VL72		1		$W_a - 9$
VL72		1		$W_b - 9$
*VG514		2		$(W_a/2) - 84$
*VG514		2		$(W_b/2) - 84$
*VG514		2		H - 104

† Mitred on Plan (one end only)

* Optional

GLASS SIZE	
4x	$(W_a \text{ or } W_b) / 2 - 129.5$
	H - 205



**Please see Section C for detailed view of corner.

Do Not Scale From This Drawing